



US00D893211S

(12) **United States Design Patent**  
**Rashid**

(10) **Patent No.:** **US D893,211 S**

(45) **Date of Patent:** **\*\* Aug. 18, 2020**

(54) **CHAIR**

(71) Applicant: **Karim Rashid**, New York, NY (US)

(72) Inventor: **Karim Rashid**, New York, NY (US)

(\*\*) Term: **15 Years**

(21) Appl. No.: **29/628,042**

(22) Filed: **Nov. 30, 2017**

(51) **LOC (12) Cl.** ..... **06-01**

(52) **U.S. Cl.**  
USPC ..... **D6/371; D6/375**

(58) **Field of Classification Search**  
USPC ..... D6/334-336, 371, 372, 373, 374, 375,  
D6/379, 380, 716, 716.1, 716.2, 716.3,  
D6/716.4  
CPC .... A47C 3/12; A47C 4/02; A47C 4/03; A47C  
4/024; A47C 4/025; A47C 4/027; A47C  
4/028; A47C 5/12; A47C 7/16; A47C  
17/00

See application file for complete search history.

(56) **References Cited**

**U.S. PATENT DOCUMENTS**

D176,142 S \* 11/1955 Keal ..... D6/375  
D224,951 S \* 10/1972 Wilson ..... D6/375

D243,296 S \* 2/1977 Gottsegen ..... D6/334  
D740,582 S \* 10/2015 Bouroullec ..... D6/371  
D740,583 S \* 10/2015 Nigro ..... D6/375  
D760,509 S \* 7/2016 Wu ..... D6/371  
D794,348 S \* 8/2017 Nigro ..... D6/371

\* cited by examiner

*Primary Examiner* — Mimoso De

(74) *Attorney, Agent, or Firm* — James D Palmatier;  
Applied Patent Services, PC

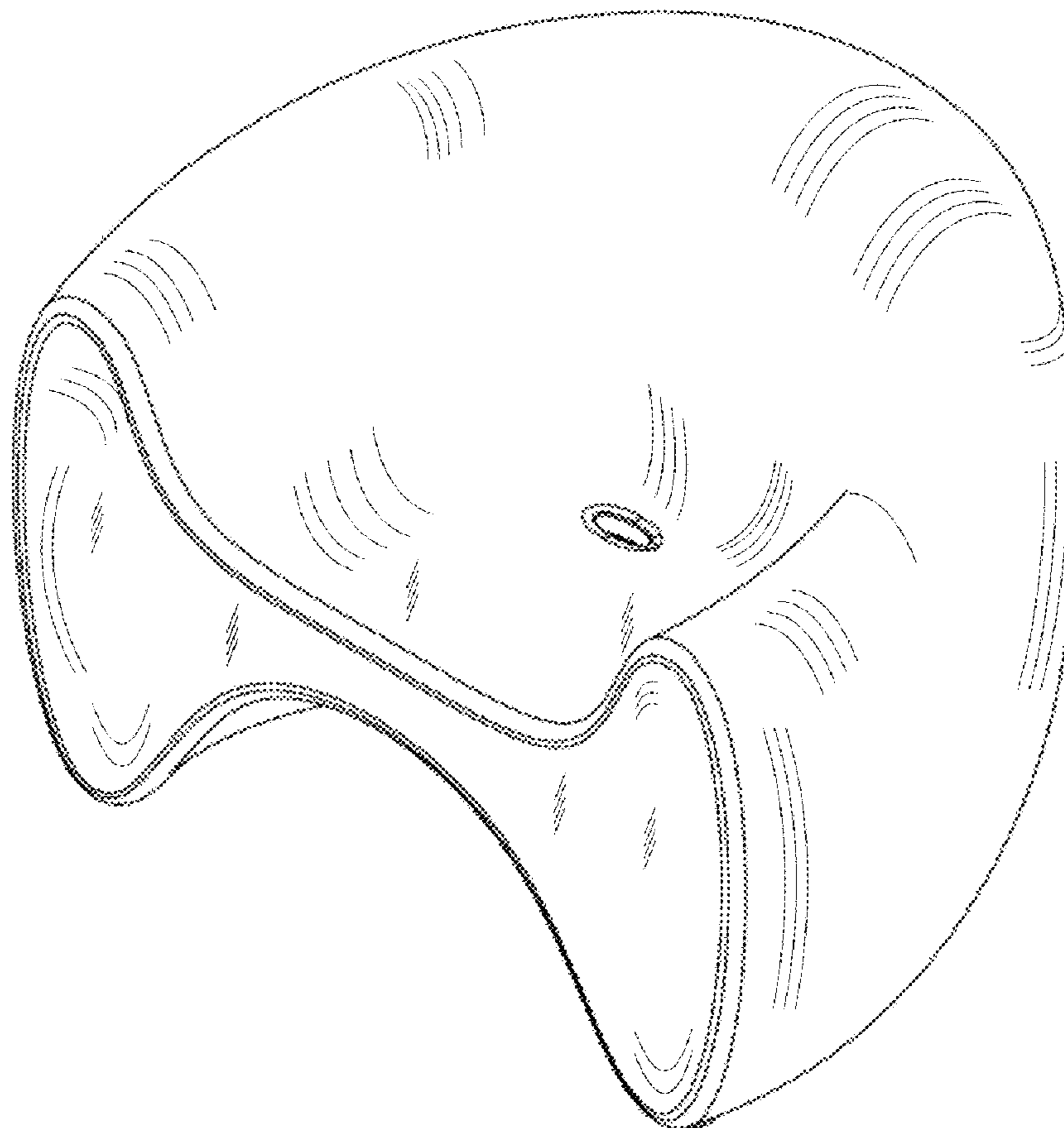
(57) **CLAIM**

I claim the ornamental design for a chair, as shown and described.

**DESCRIPTION**

FIG. 1 is a top plan view of my new chair.  
FIG. 2 is a front side elevation view thereof.  
FIG. 3 is a bottom plan view thereof.  
FIG. 4 is a back elevation view thereof.  
FIG. 5 is a right side elevation view thereof.  
FIG. 6 is a left side elevation view thereof.  
FIG. 7 is a top perspective view thereof; and,  
FIG. 8 is a bottom perspective view thereof.

**1 Claim, 2 Drawing Sheets**



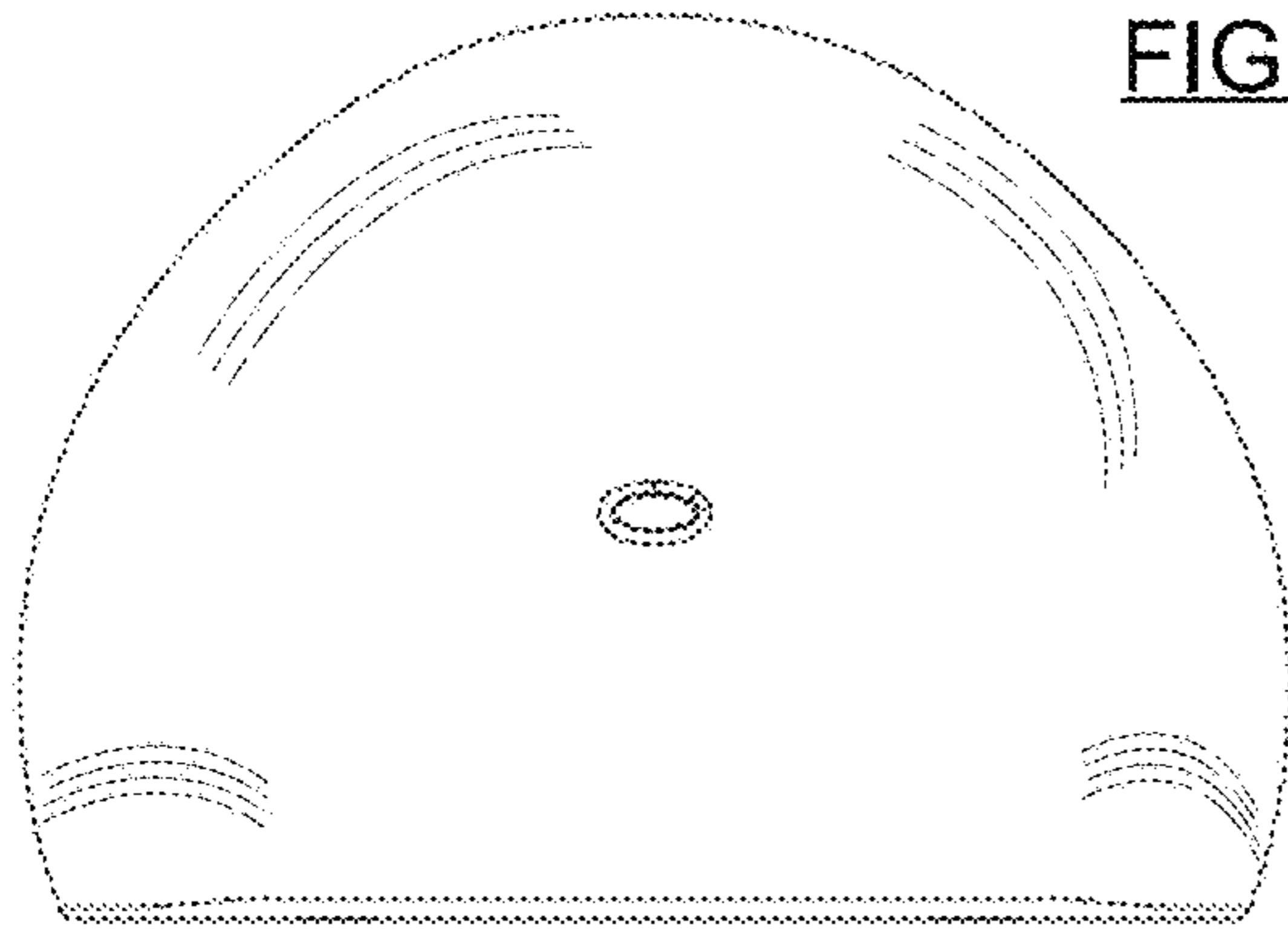


FIG. 1

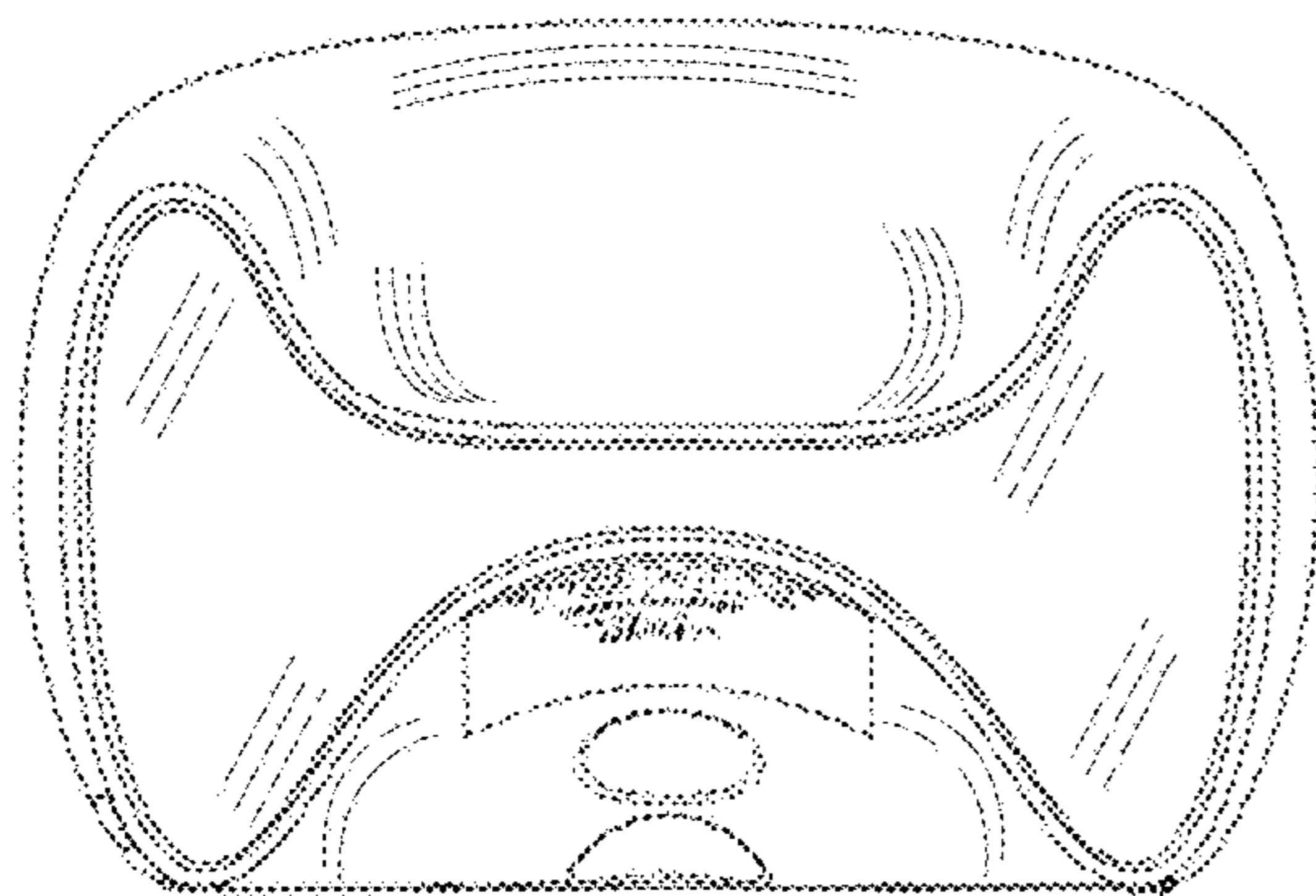


FIG. 2

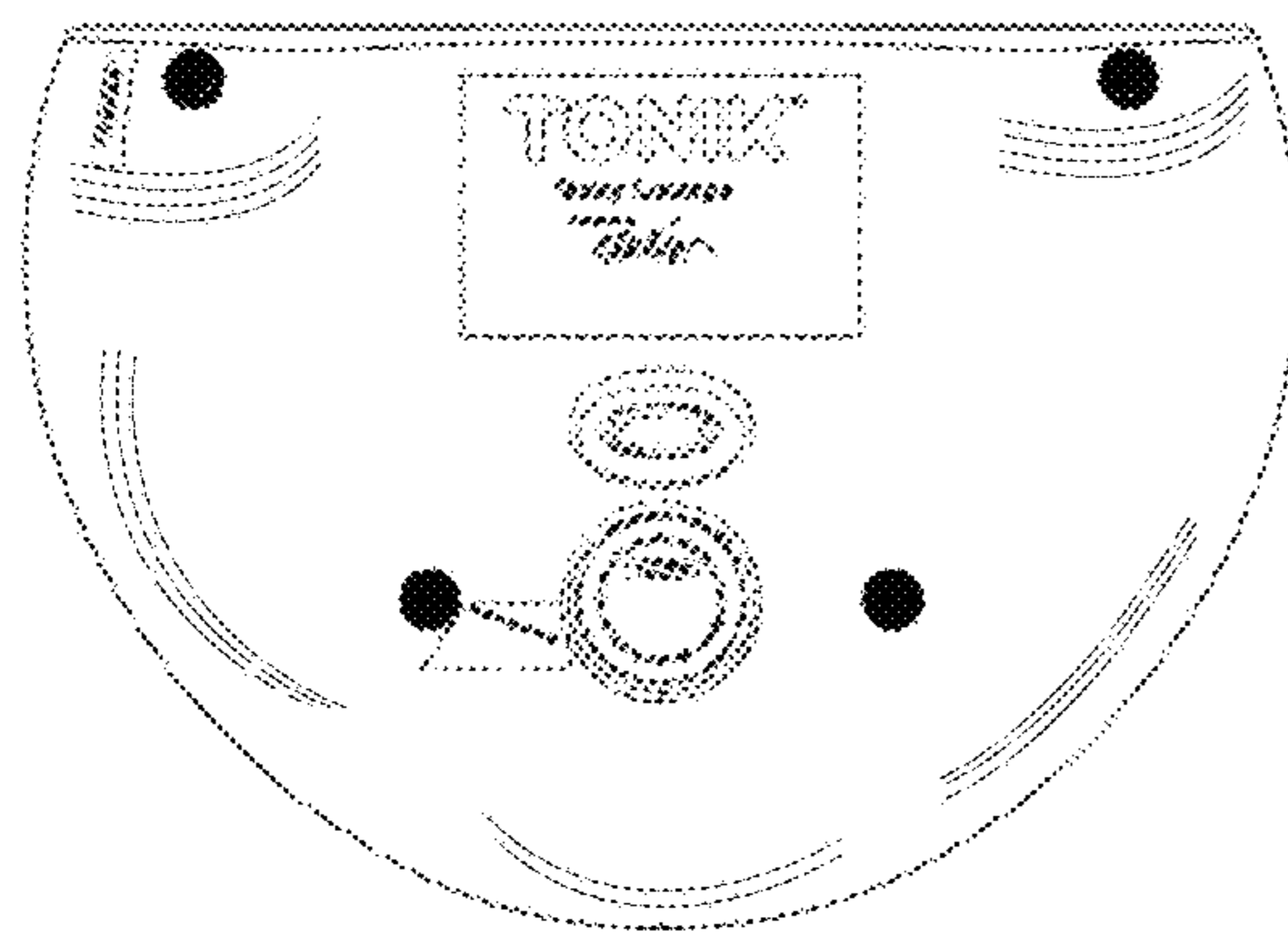


FIG. 3

FIG. 4

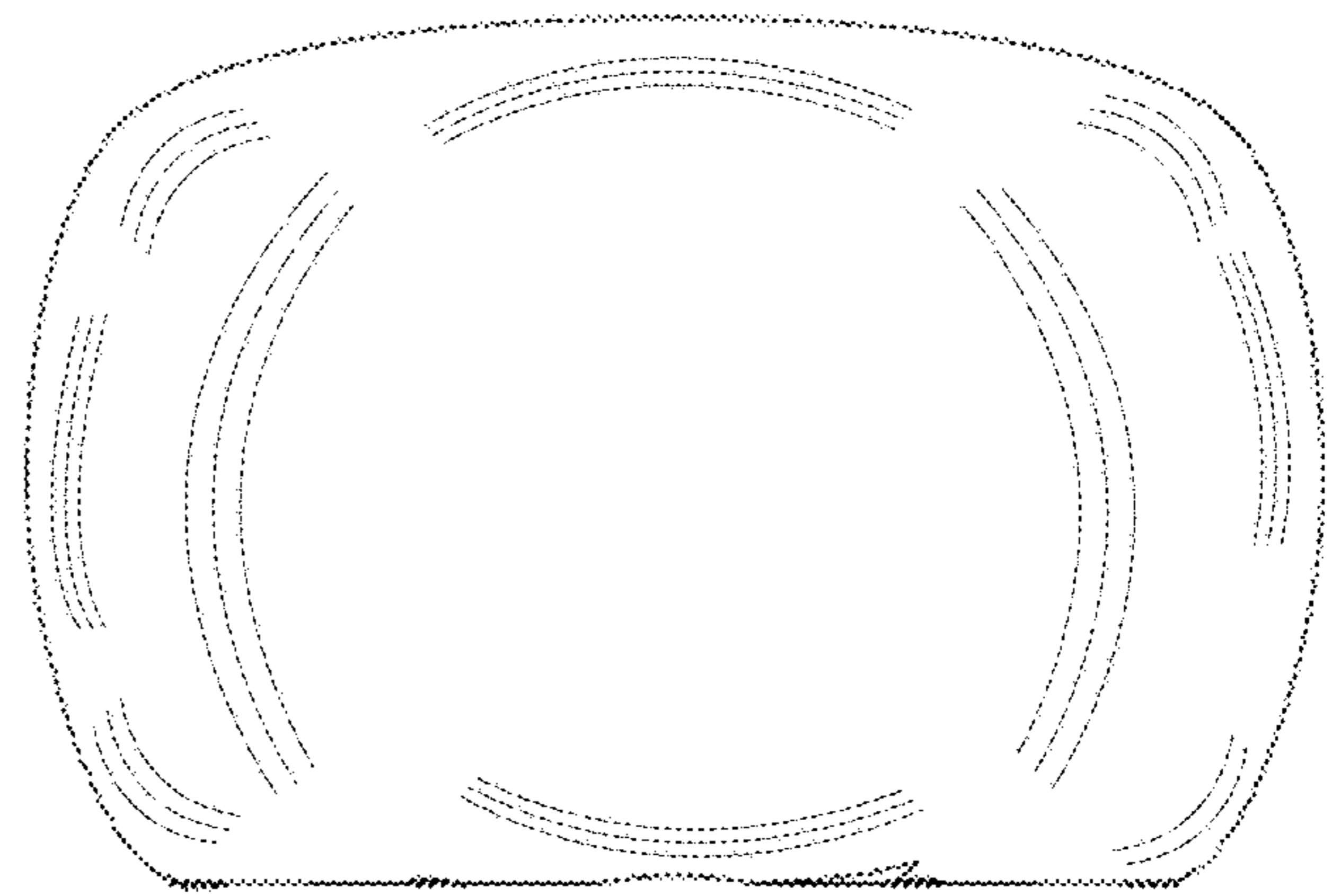


FIG. 5

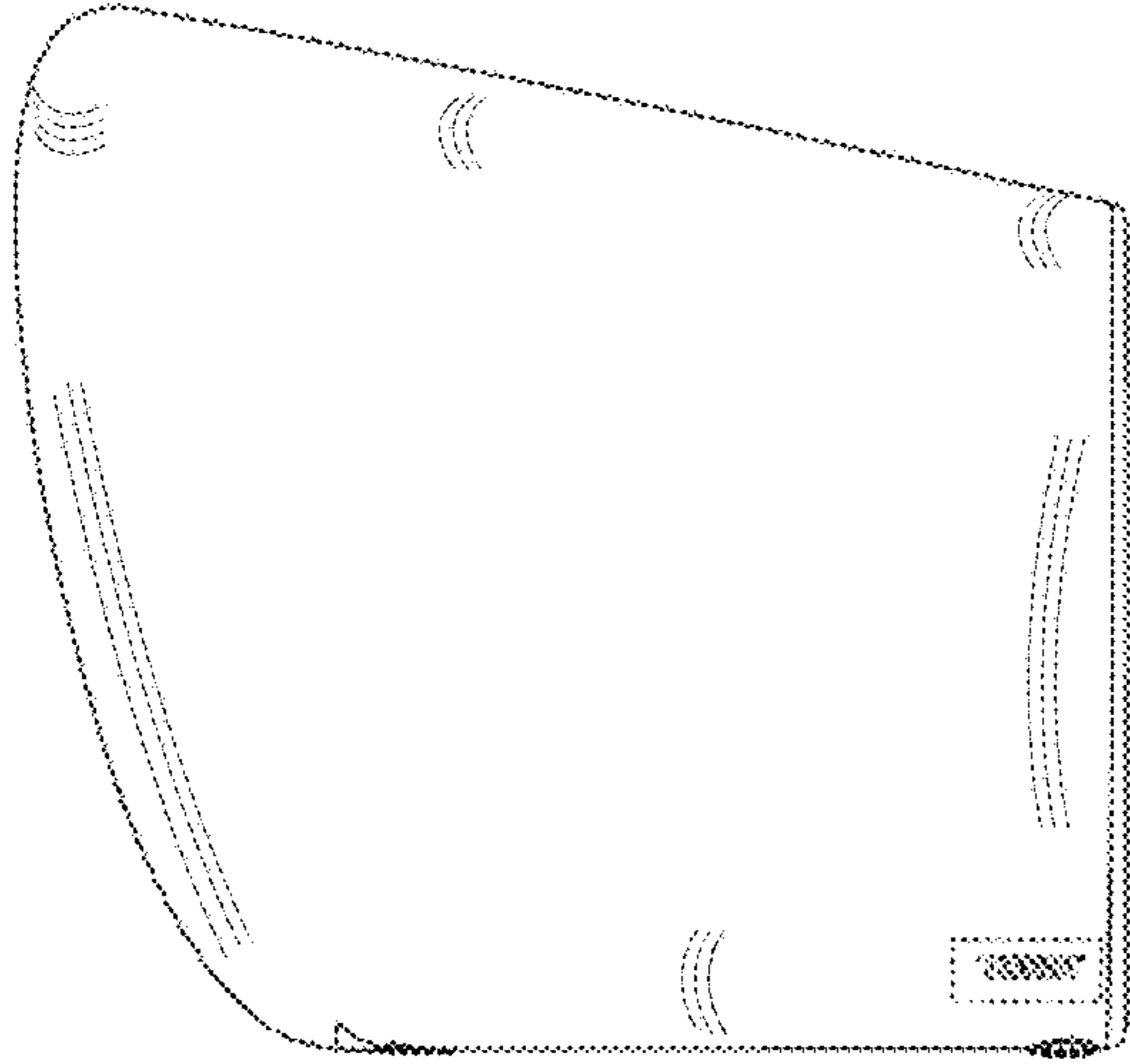


FIG. 6

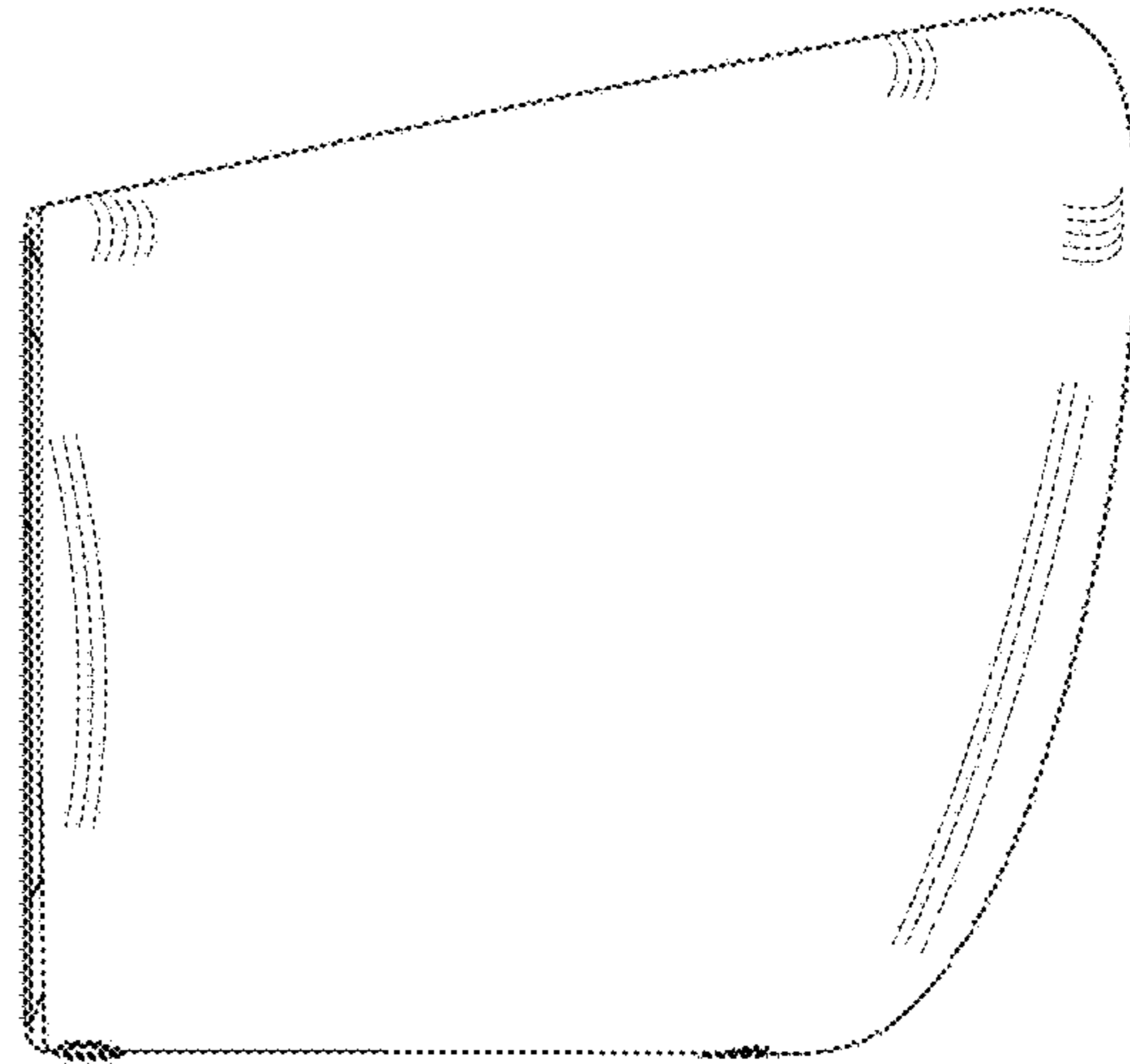


FIG. 7

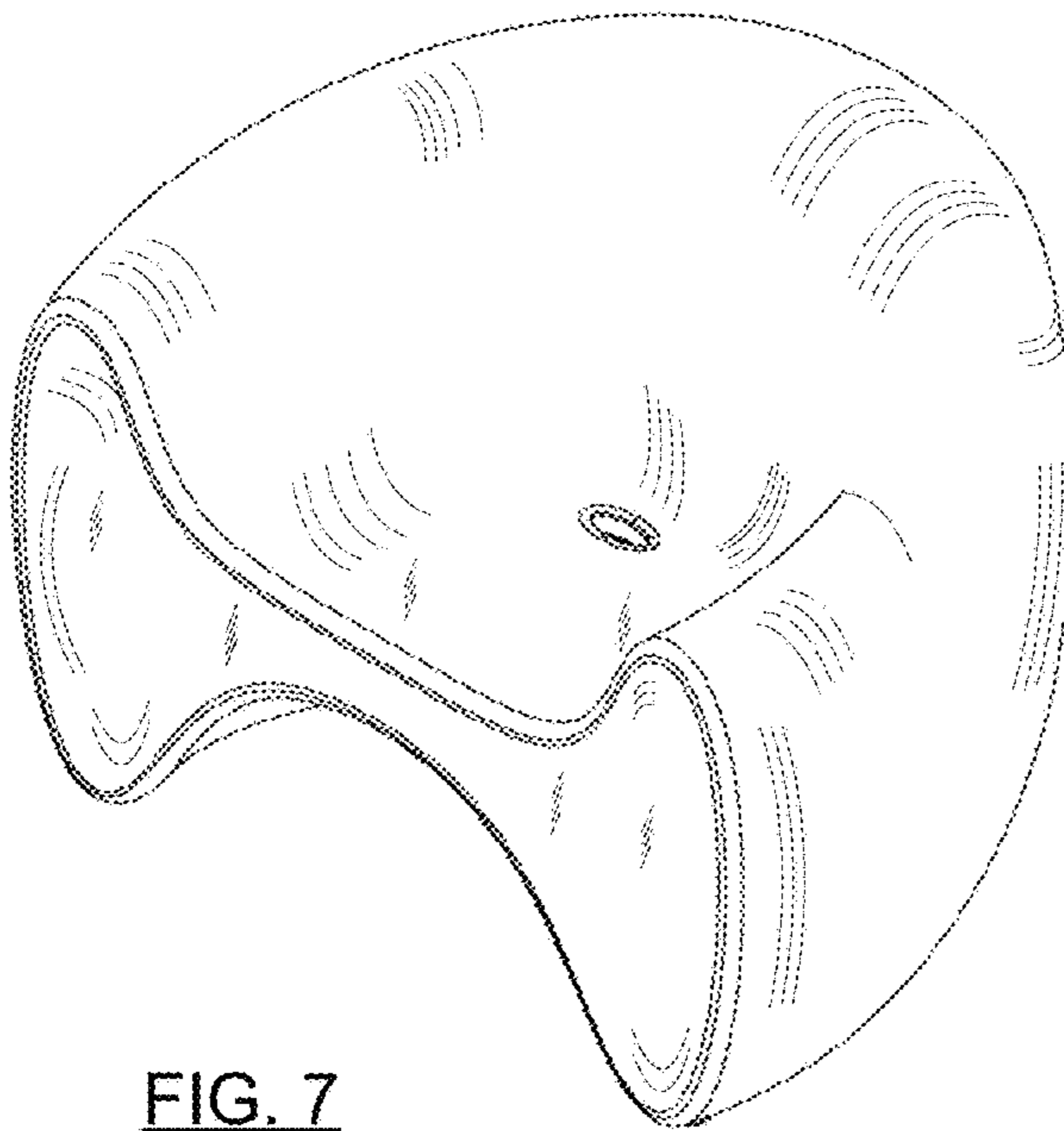


FIG. 8

