



US00D893208S

(12) **United States Design Patent**
Bellissimo

(10) **Patent No.:** **US D893,208 S**

(45) **Date of Patent:** **** Aug. 18, 2020**

(54) **FOLDING SEAT**

(71) Applicant: **4Topp LLC**, Winston-Salem, NC (US)

(72) Inventor: **Joseph Bellissimo**, Winston-Salem, NC (US)

(73) Assignee: **4Topp LLC**, Winston-Salem, NC (US)

(**) Term: **15 Years**

(21) Appl. No.: **29/645,478**

(22) Filed: **Apr. 26, 2018**

(51) **LOC (12) Cl.** **06-01**

(52) **U.S. Cl.**
USPC **D6/368**

(58) **Field of Classification Search**

USPC D6/334-336, 368, 373, 374, 379, 380,
D6/716, 716.1, 716.2, 716.3, 716.4
CPC .. A47C 4/03; A47C 4/04; A47C 4/045; A47C
4/18; A47C 4/20; A47C 4/22; A47C 4/24;
A47C 4/26

See application file for complete search history.

(56) **References Cited**

U.S. PATENT DOCUMENTS

D37,149 S *	9/1904	Strobel	D6/368
D134,863 S *	1/1943	Nordmark	D6/368
D149,665 S *	5/1948	Nordmark	D6/368
D160,006 S *	9/1950	Nordmark	D6/368
D187,469 S *	3/1960	Eves et al.	D6/368
D187,470 S *	3/1960	Eves et al.	D6/368
D429,078 S *	8/2000	White	D6/368
D560,384 S *	1/2008	Stauber	D6/374

D674,209 S *	1/2013	Muller	D6/380
D679,515 S *	4/2013	Hsu	D6/374
D778,629 S *	2/2017	Le Gal	D6/368
D864,605 S *	10/2019	Rassat	D6/380

* cited by examiner

Primary Examiner — Mimoso De

(74) *Attorney, Agent, or Firm* — Joseph T. Guy; Kirk A. Wilson; Patent Filing Specialist, Inc.

(57) **CLAIM**

The ornamental design for folding seat, as shown and described.

DESCRIPTION

FIG. 1 is a top front perspective view the present invention; FIG. 2 is a front view of the present invention; FIG. 3 is a back side view of the present invention; FIG. 4 is a left side view of the present invention; FIG. 5 is a right side view of the present invention; FIG. 6 is a top side view of the present invention; FIG. 7 is a bottom side view of the invention; FIG. 8 is a top front perspective view the present invention; FIG. 9 is a front view of the present invention; FIG. 10 is a back side view of the present invention; FIG. 11 is a left side view of the present invention; FIG. 12 is a right side view of the present invention; FIG. 13 is a top side view of the present invention; and, FIG. 14 is a bottom side view of the invention.

The broken lines, where present, illustrate portions of the folding seat that form no part of the claimed invention.

1 Claim, 14 Drawing Sheets

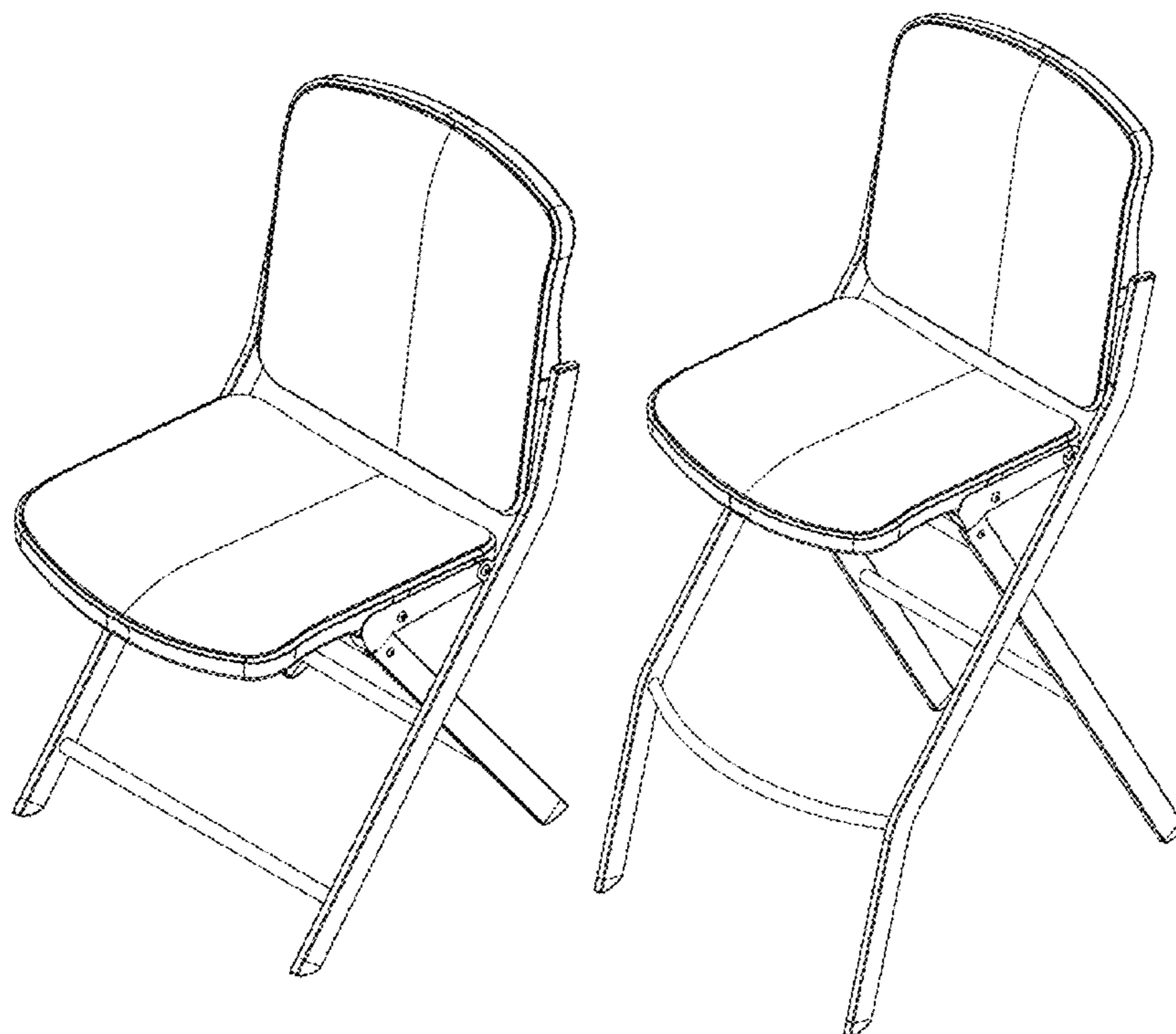
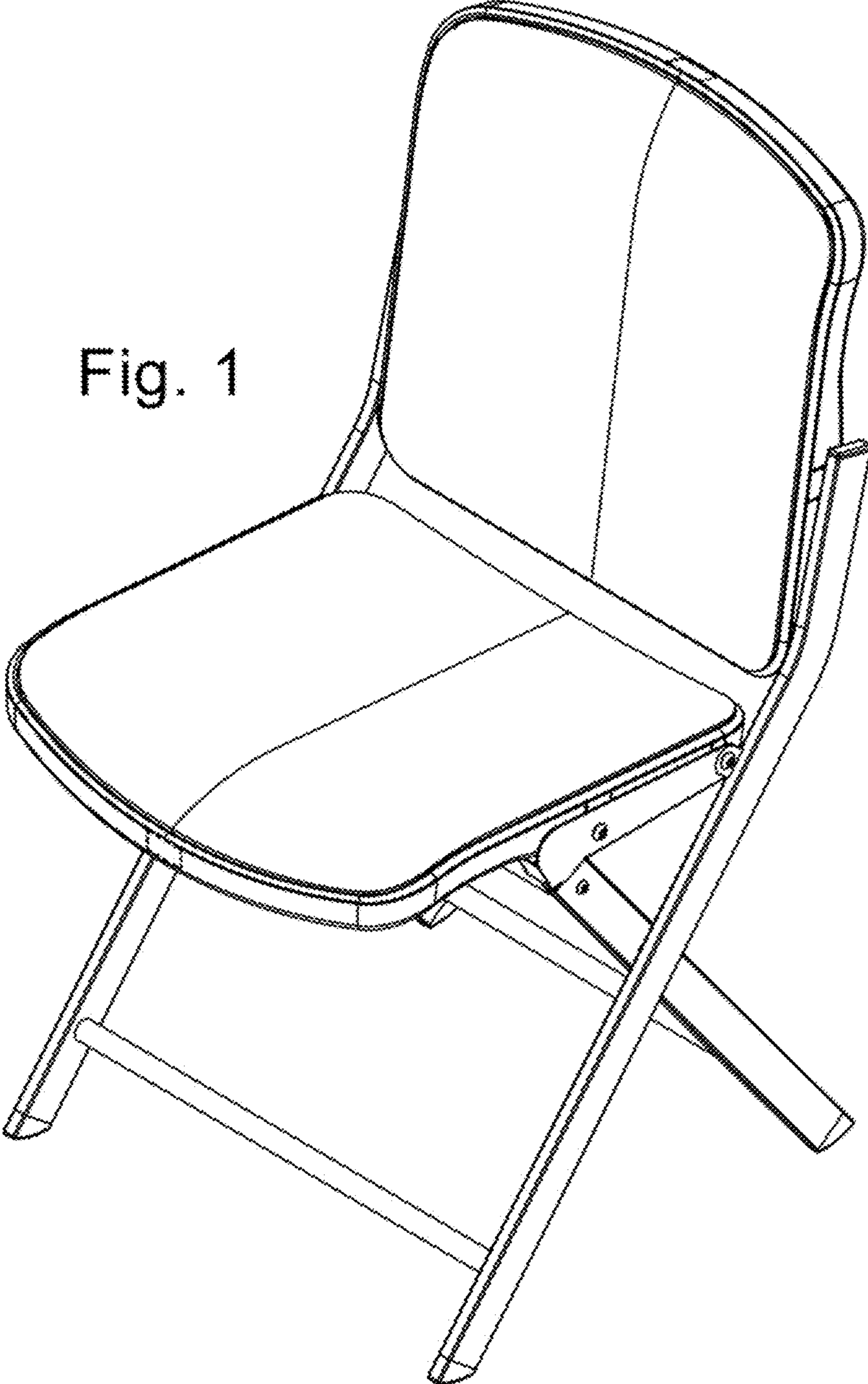


Fig. 1



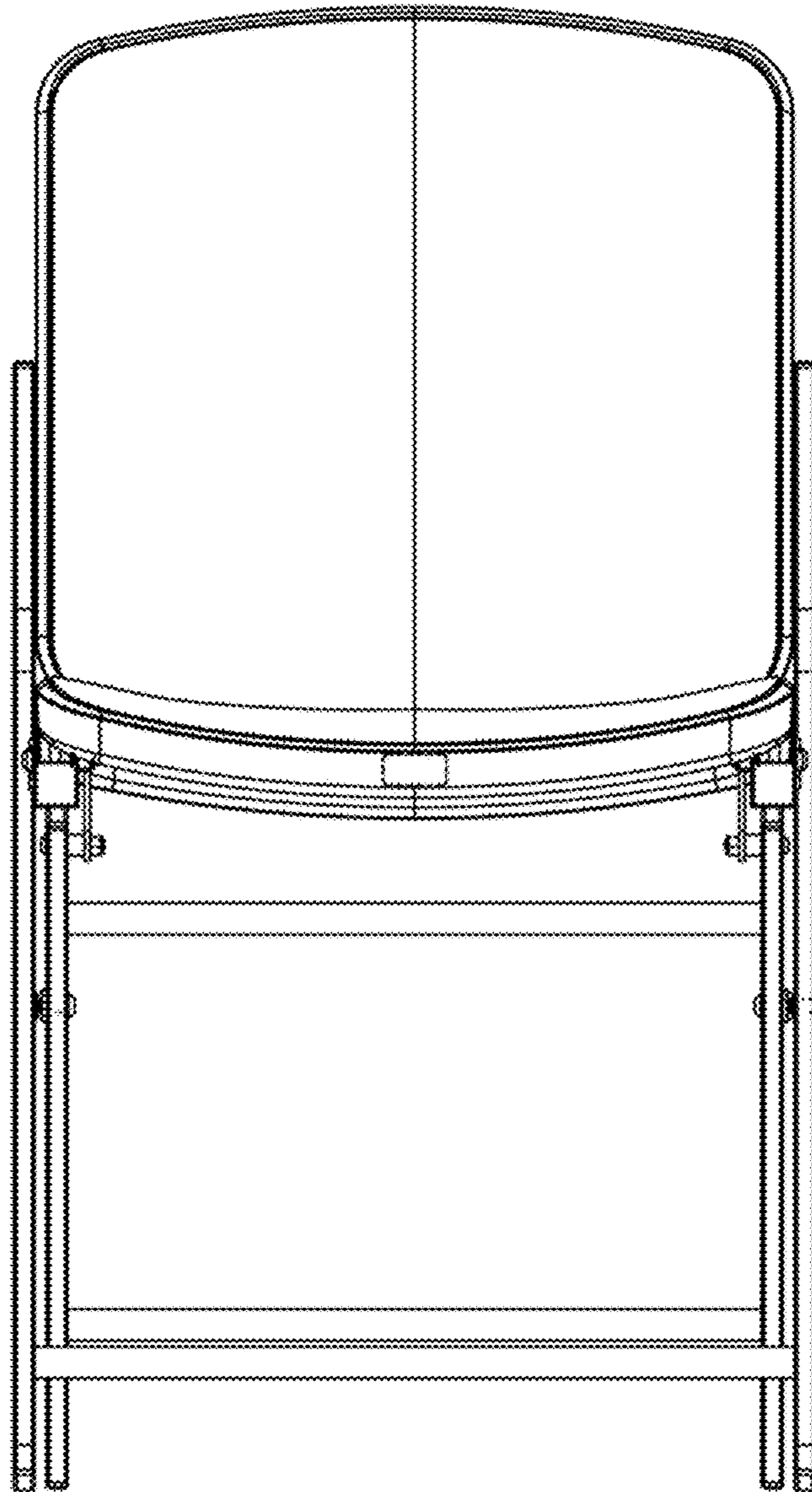


Fig. 2

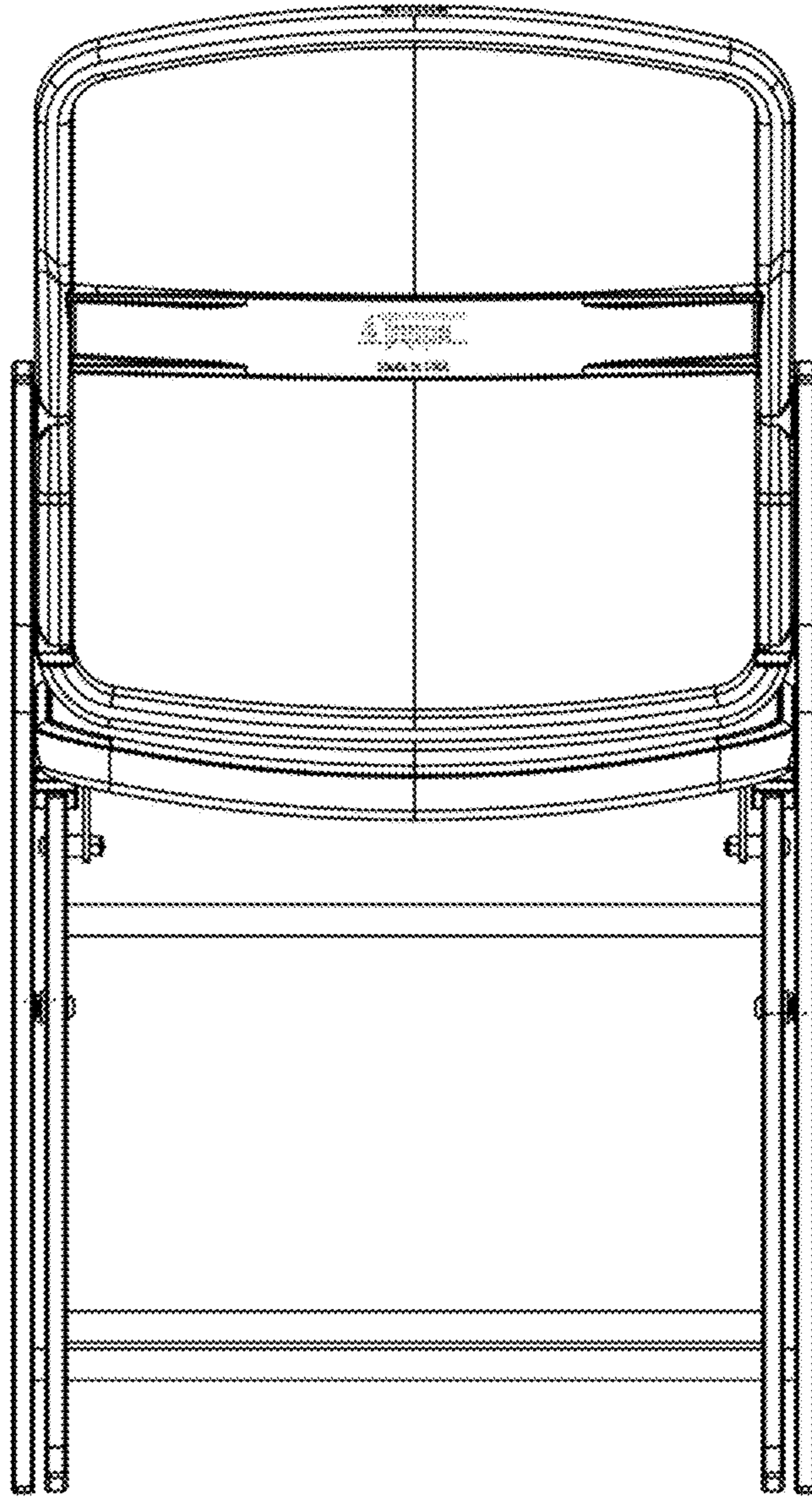
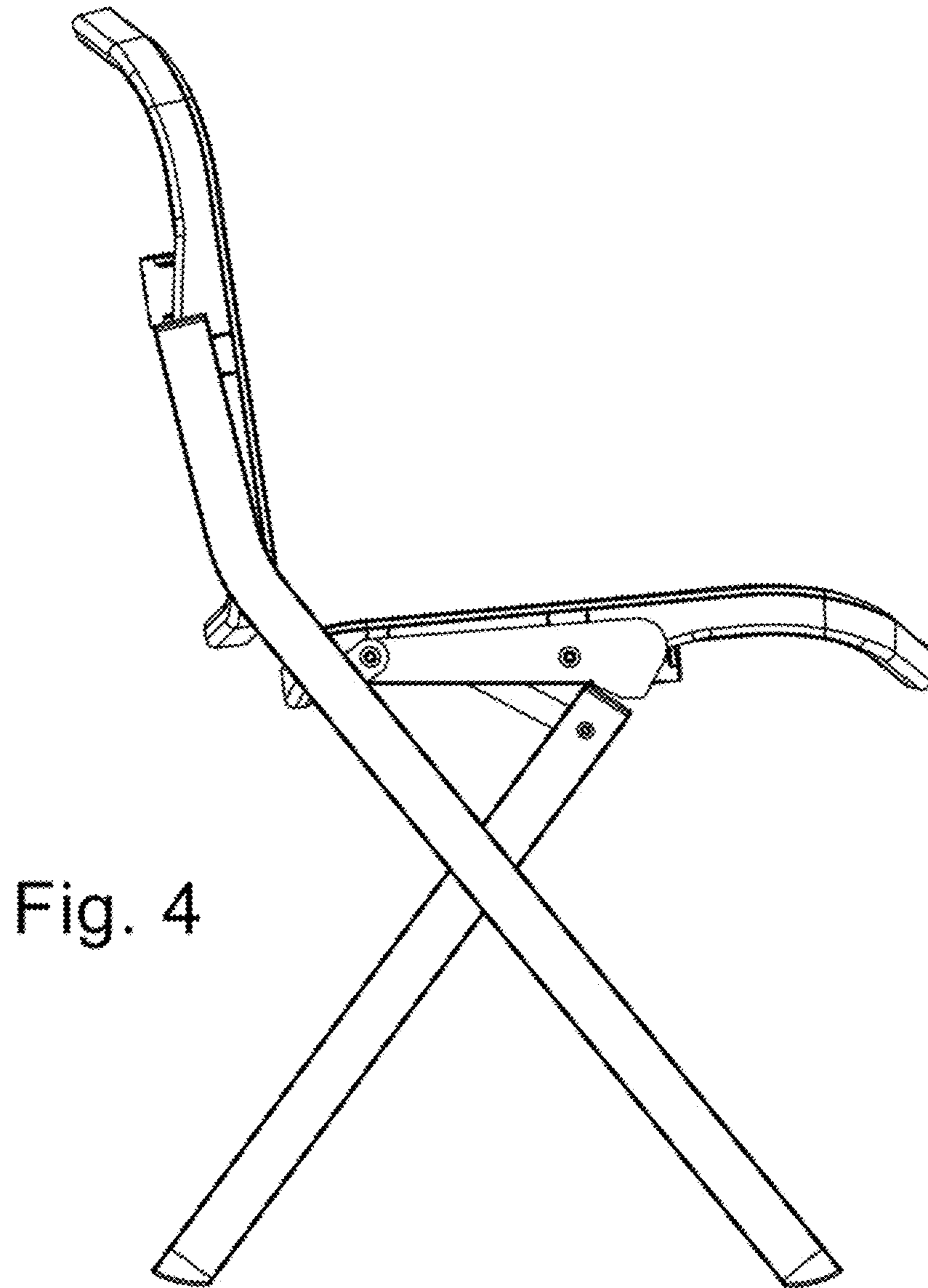
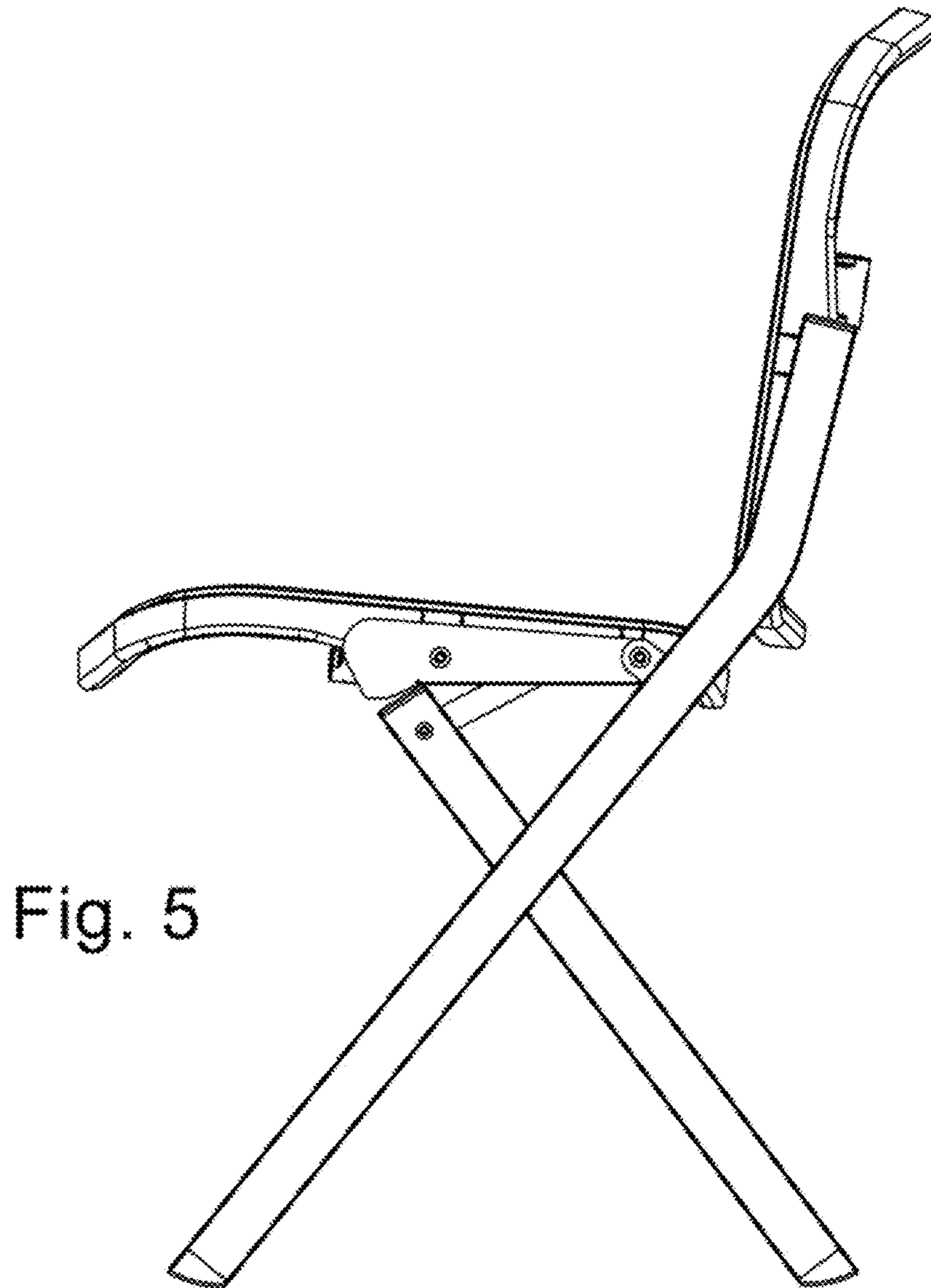


Fig. 3





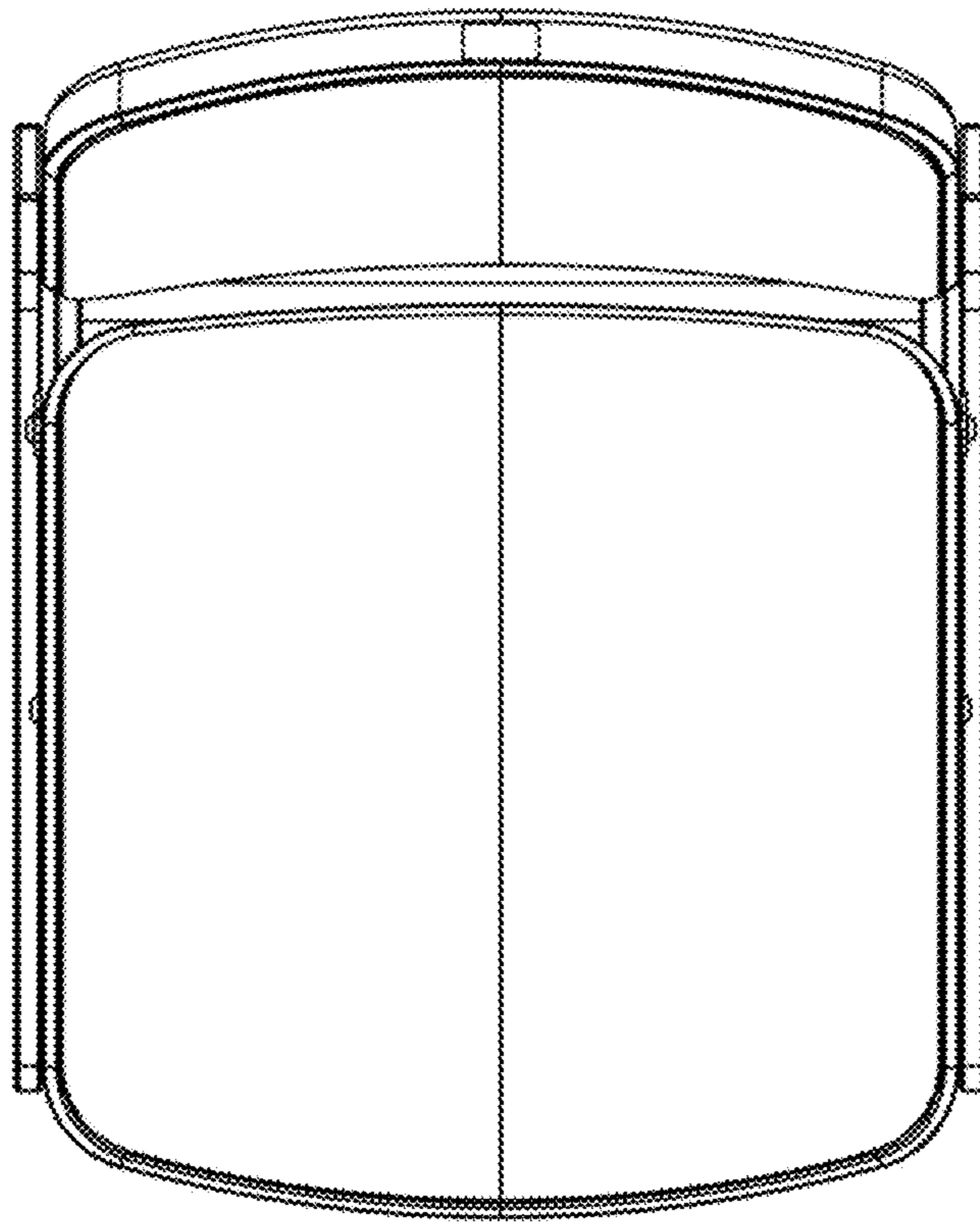


Fig. 6

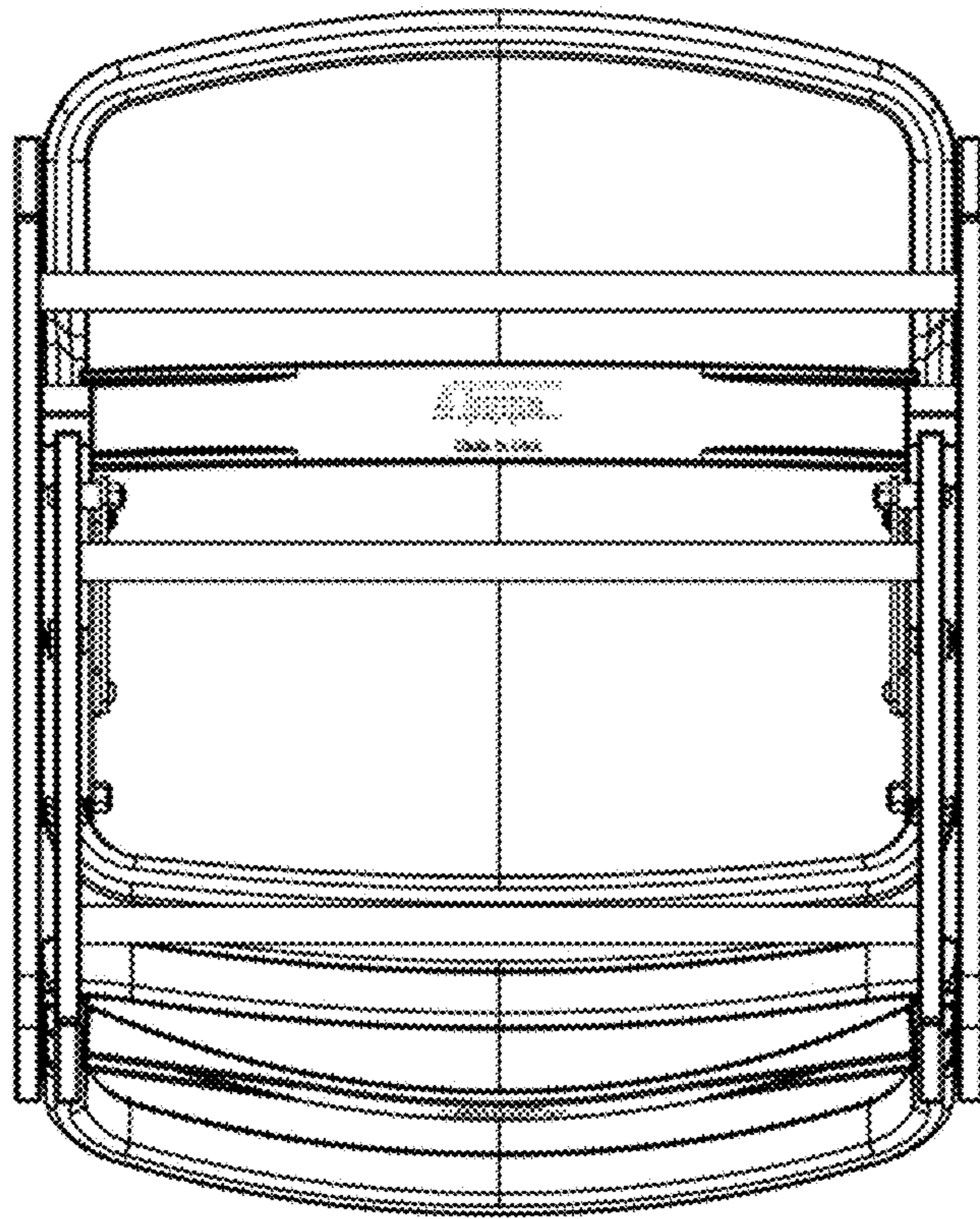


Fig. 7

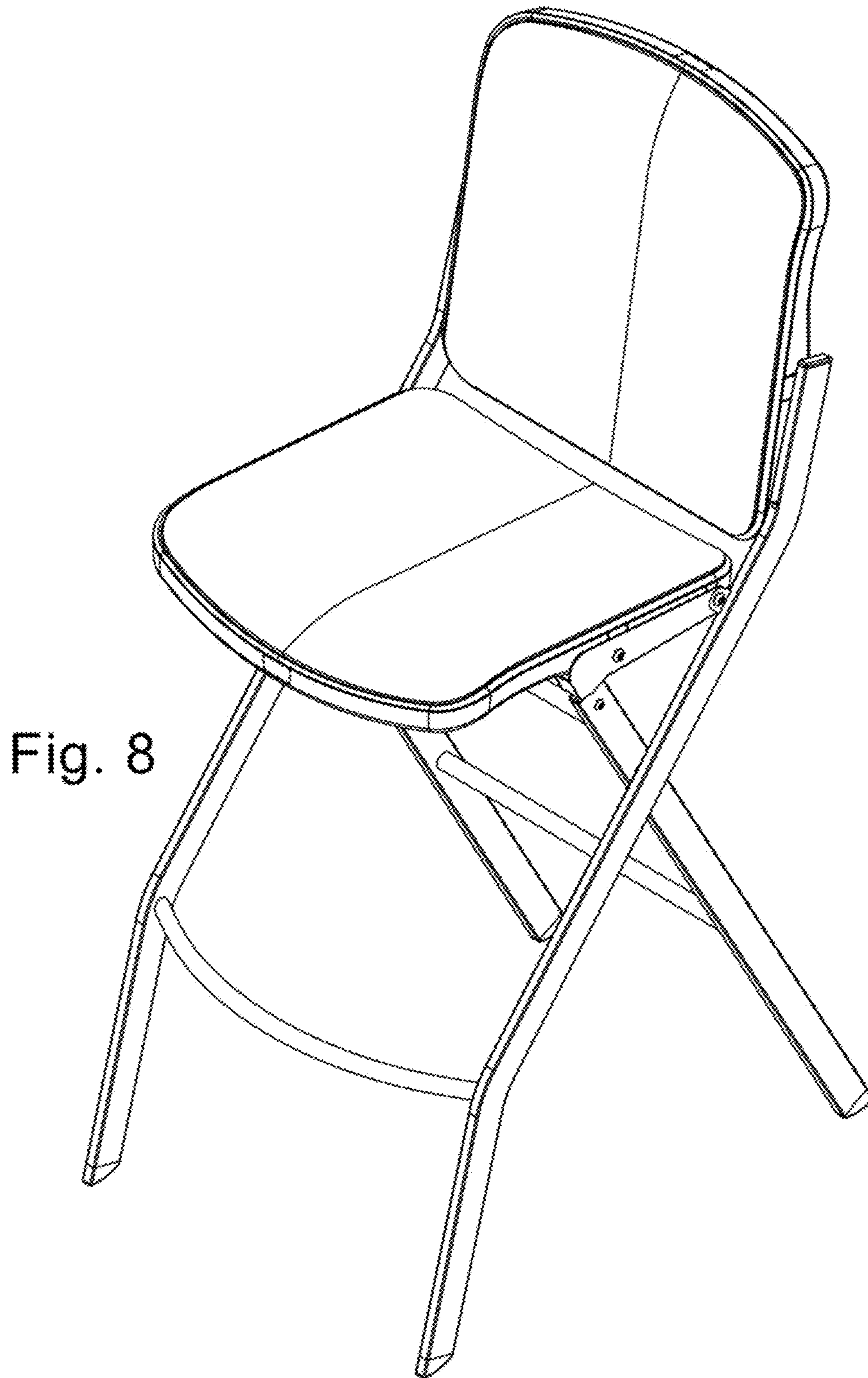


Fig. 9

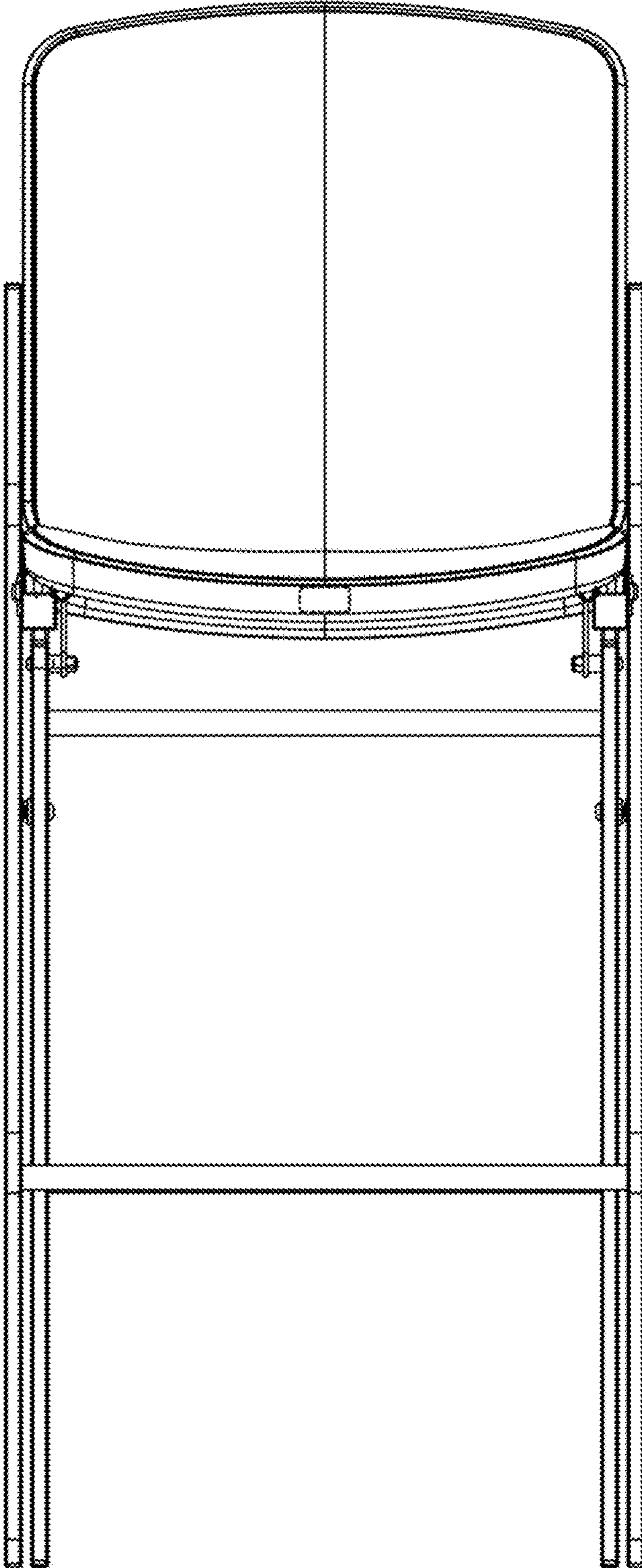
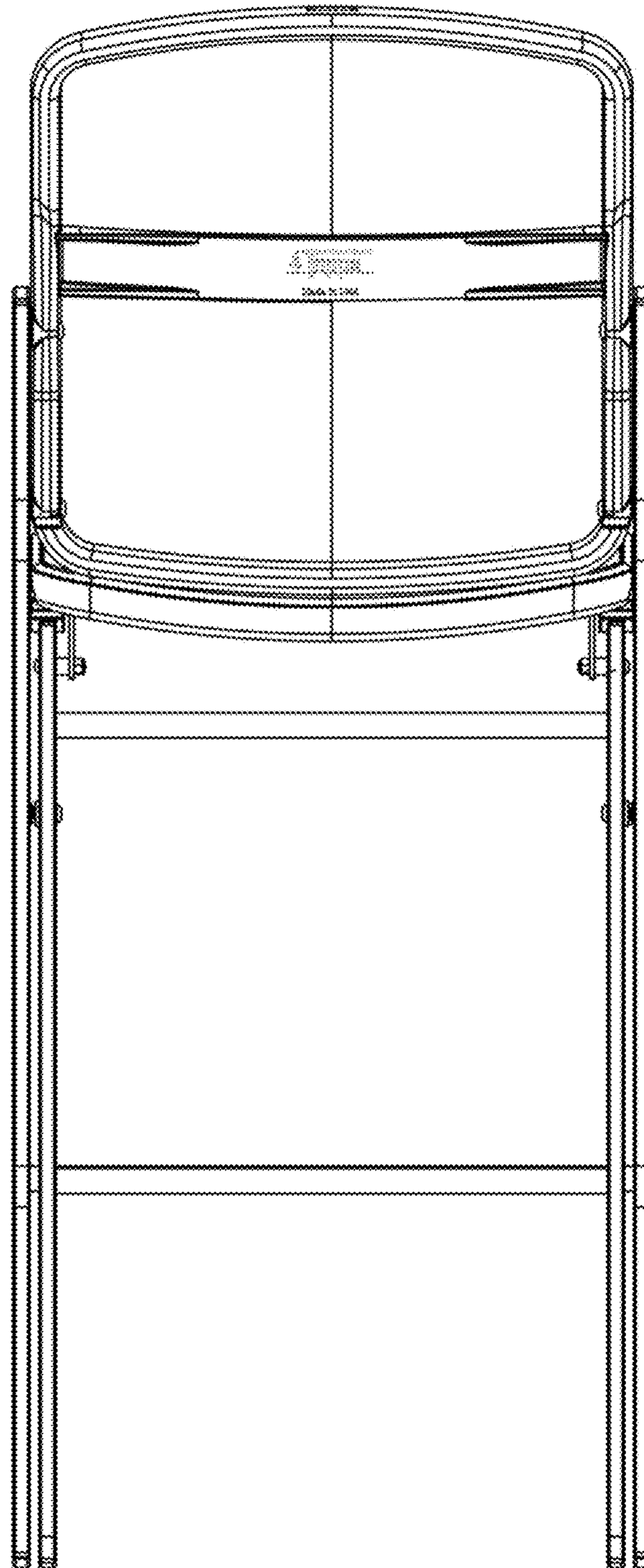


Fig. 10



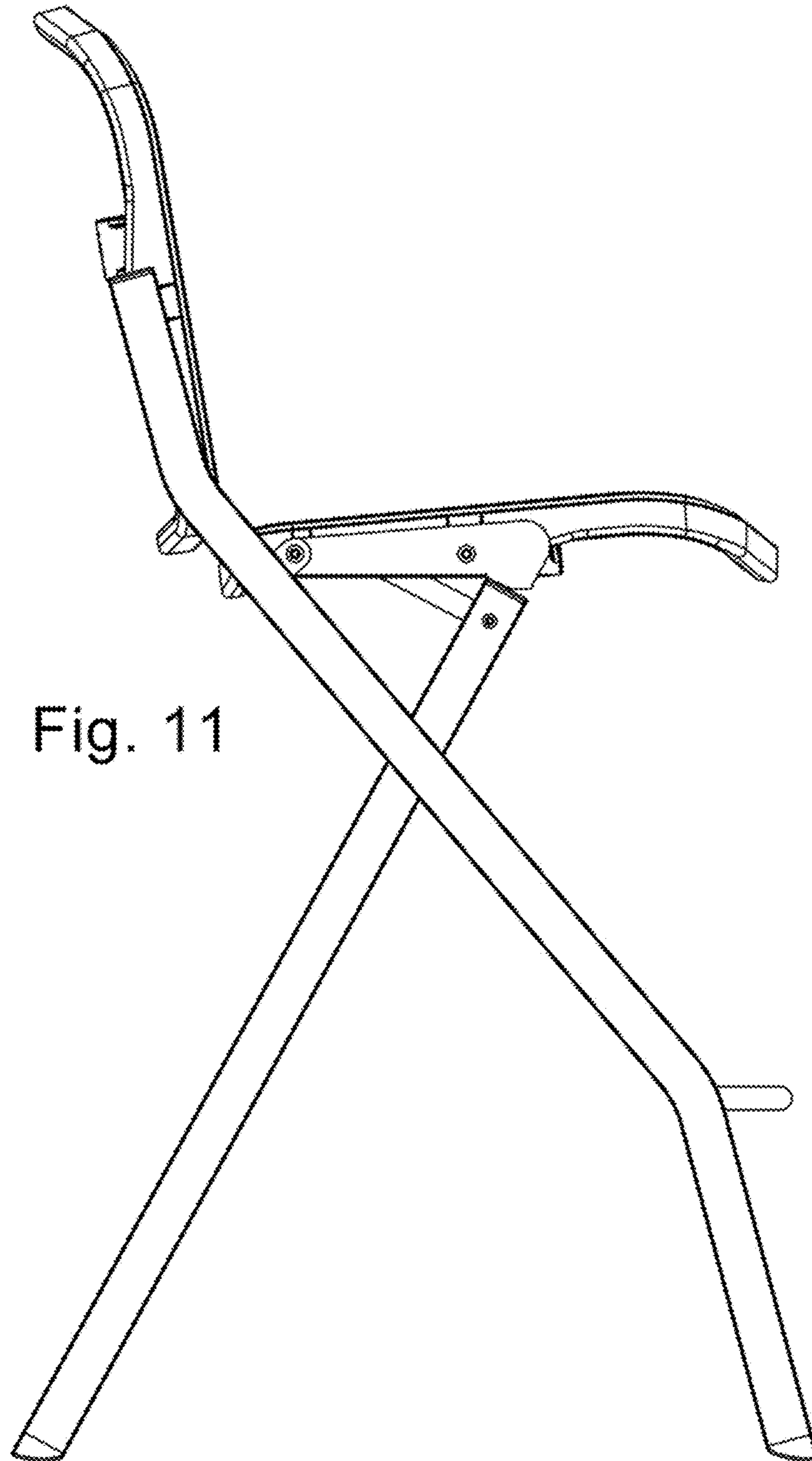


Fig. 11

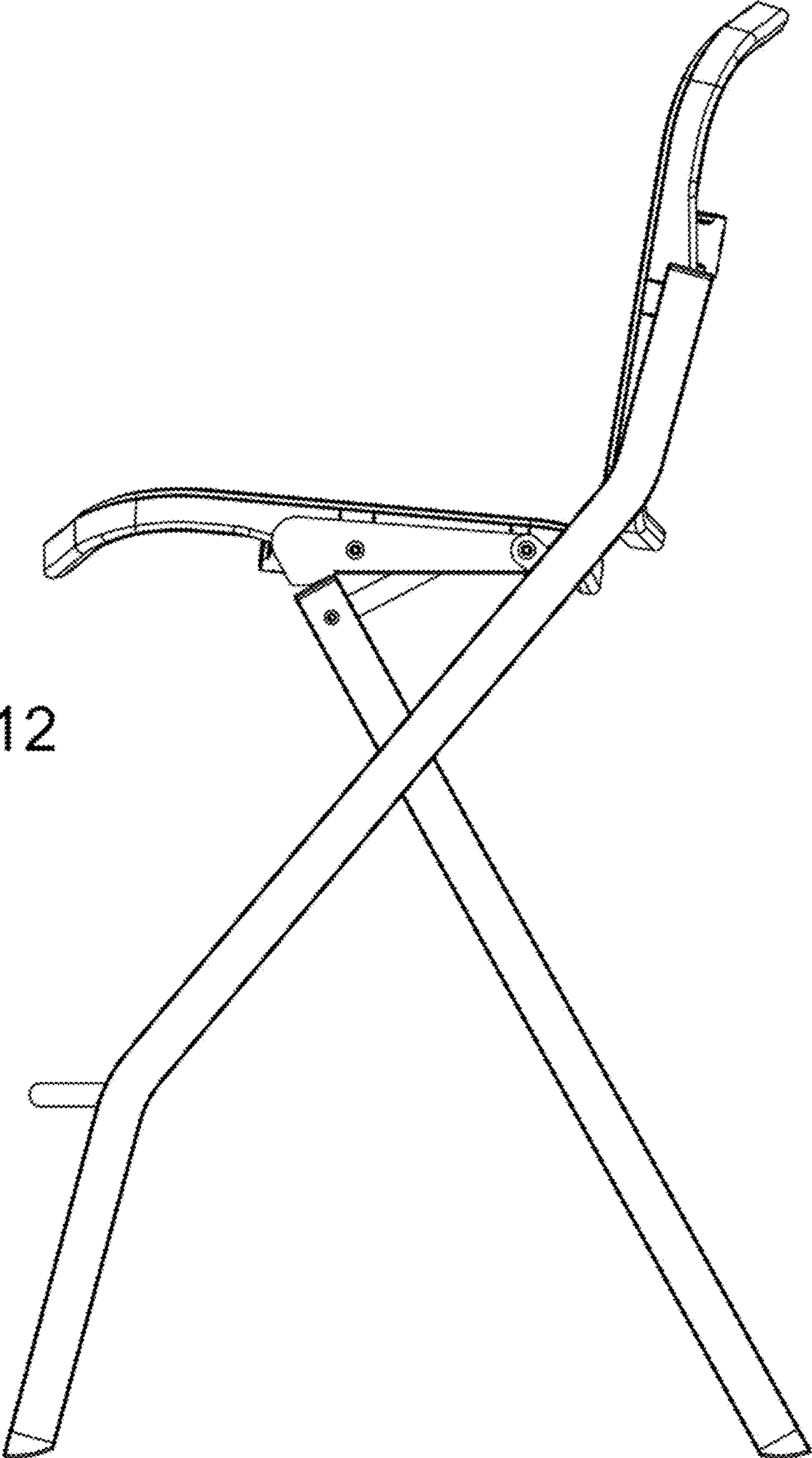


Fig. 12

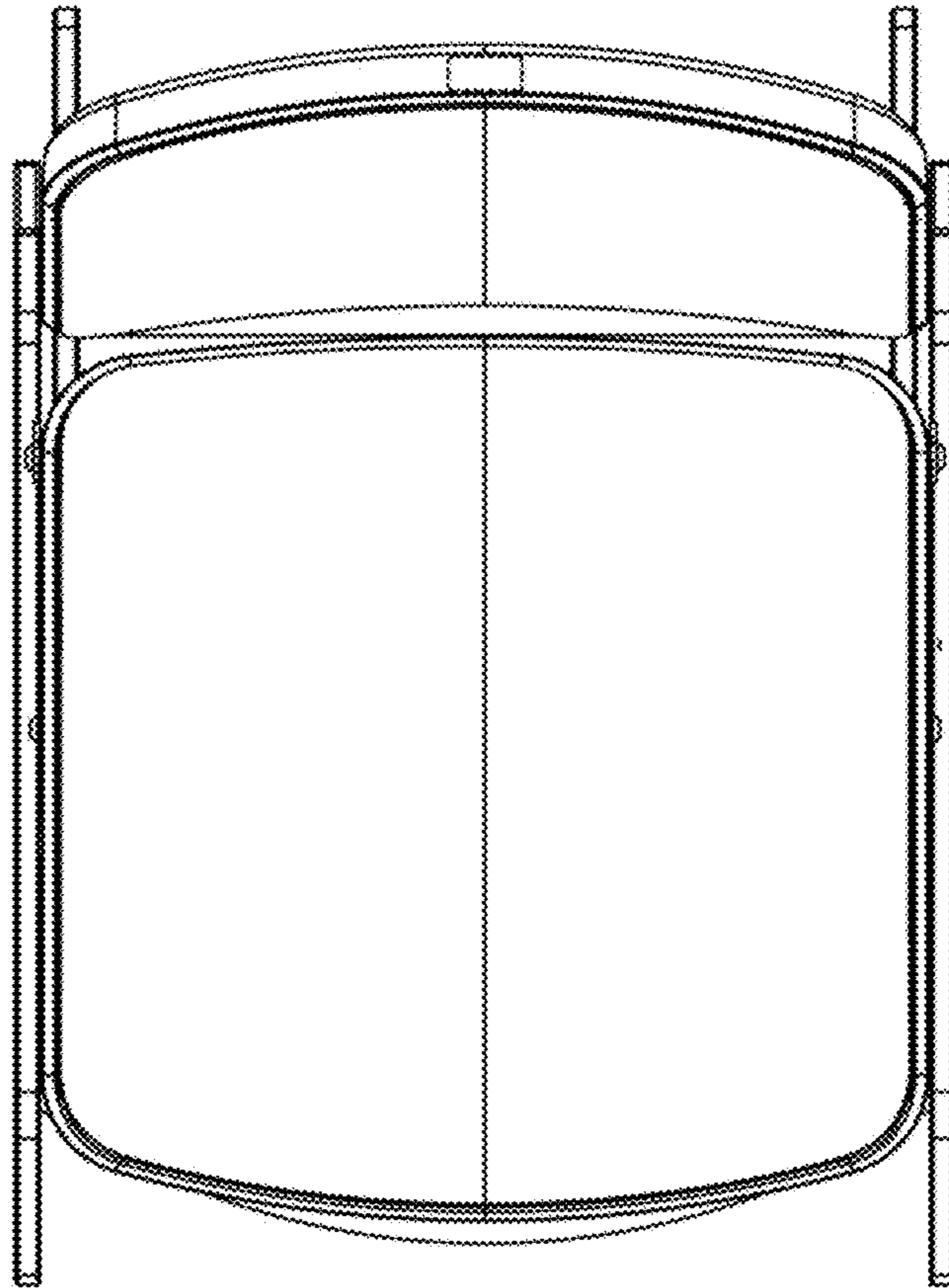


Fig. 13

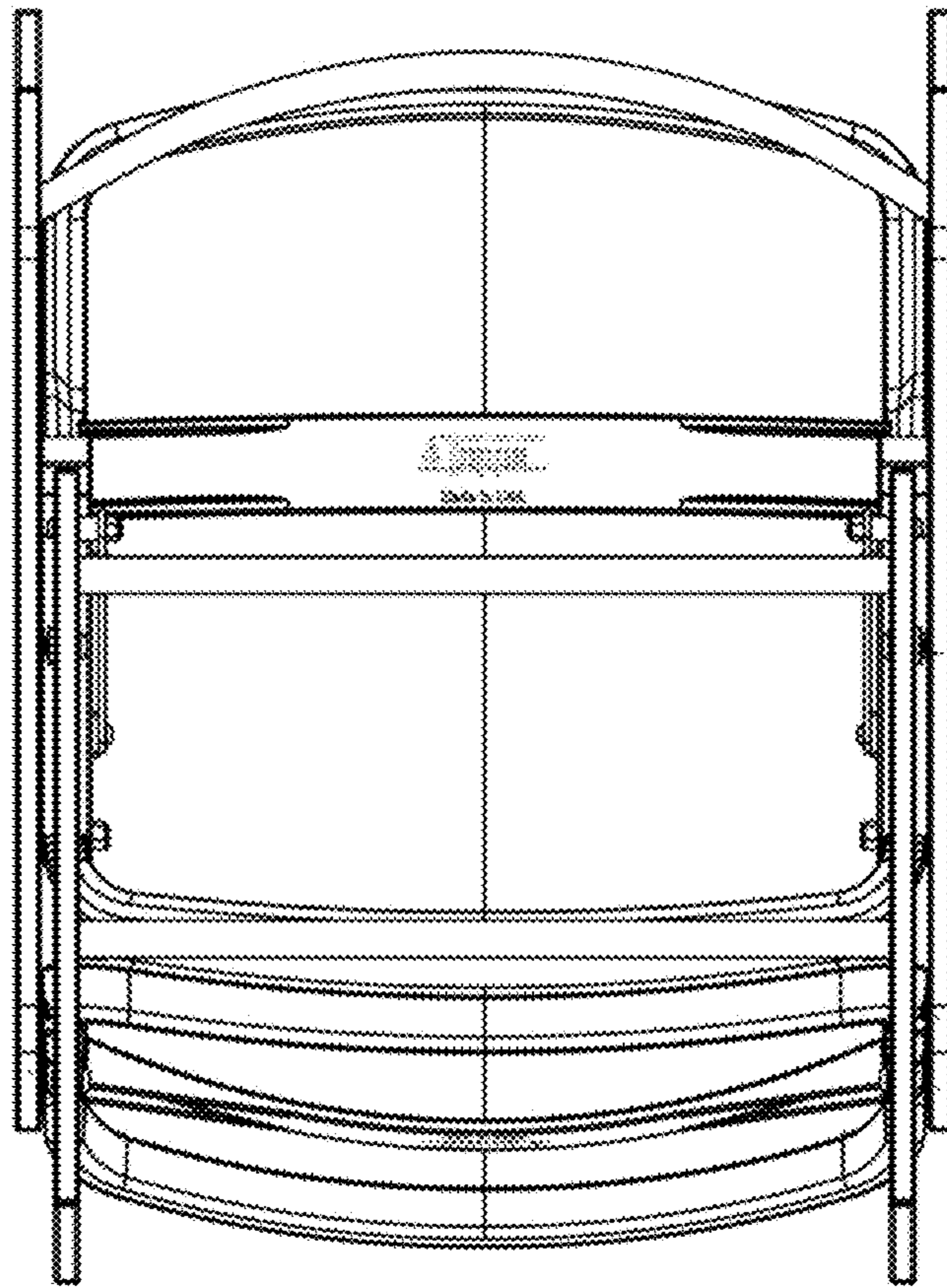


Fig. 14