



US00D893204S

(12) **United States Design Patent**  
**Dai**

(10) **Patent No.:** **US D893,204 S**

(45) **Date of Patent:** **\*\* Aug. 18, 2020**

(54) **FOLDING STOOL**

(71) Applicant: **Shanghai Benxu Precision Mold Co., Ltd.**, Shanghai (CN)

(72) Inventor: **Xuguang Dai**, Shanghai (CN)

(73) Assignee: **Shanghai Benxu Precision Mold Co., Ltd.**, Shanghai (CN)

(\*\*) Term: **15 Years**

(21) Appl. No.: **29/729,539**

(22) Filed: **Mar. 27, 2020**

**Related U.S. Application Data**

(63) Continuation-in-part of application No. 29/707,361, filed on Sep. 27, 2019, now Pat. No. Des. 873,042.

(51) **LOC (12) Cl.** ..... **06-01**

(52) **U.S. Cl.**  
USPC ..... **D6/353; D6/335; D6/351**

(58) **Field of Classification Search**  
USPC ..... D6/335, 345, 349–354, 358, 364, 368, D6/334, 597, 716–716.1  
CPC ..... A47C 16/02–04; A47C 13/00  
See application file for complete search history.

(56) **References Cited**

**U.S. PATENT DOCUMENTS**

D193,058 S *	6/1962	Hunter et al.	.....	D6/345
D207,708 S *	5/1967	Michals	.....	D6/352
3,715,996 A *	2/1973	Rolfshus	.....	A47B 3/10
				297/311
D233,714 S *	11/1974	Everard et al.	.....	D6/352
D295,923 S *	5/1988	Williamson	.....	D6/358
6,467,843 B1 *	10/2002	Rossborough	.....	A47C 3/34
				108/150
7,195,102 B2 *	3/2007	Shai	.....	E04G 1/22
				182/230
D589,269 S *	3/2009	Allende	.....	D6/349
D592,867 S *	5/2009	Siomades	.....	D6/358
D647,313 S *	10/2011	Chen	.....	D6/364

D671,757 S *	12/2012	Walker	.....	D6/349
D672,568 S *	12/2012	Keeley	.....	D6/349
D686,829 S *	7/2013	Elmaleh	.....	D6/352
D776,963 S *	1/2017	Baylar	.....	D6/692
D777,487 S *	1/2017	Baylar	.....	D6/692.3

(Continued)

**OTHER PUBLICATIONS**

Portable Retractable Folding Camping Stool Telescopic Seat Outdoor Travel—Black. [online] Retrieved Jun. 16, 2020 from URL: <https://www.ebay.com/itm/Portable-Retractable-Folding-Camping-Stool-Telescopic-Seat-Outdoor-Travel-Black-/153966694276>.\*

*Primary Examiner* — Vy N Koenig

(74) *Attorney, Agent, or Firm* — ScienBiziP, P.C.

(57) **CLAIM**

The ornamental design for a folding stool, as shown and described.

**DESCRIPTION**

FIG. 1 is a perspective view of a folding stool, showing my design.

FIG. 2 is another perspective view thereof.

FIG. 3 is a front elevation view thereof.

FIG. 4 is a rear elevation view thereof.

FIG. 5 is a left side elevation view thereof.

FIG. 6 is a right side elevation view thereof.

FIG. 7 is a top plan view thereof.

FIG. 8 is a bottom plan view thereof.

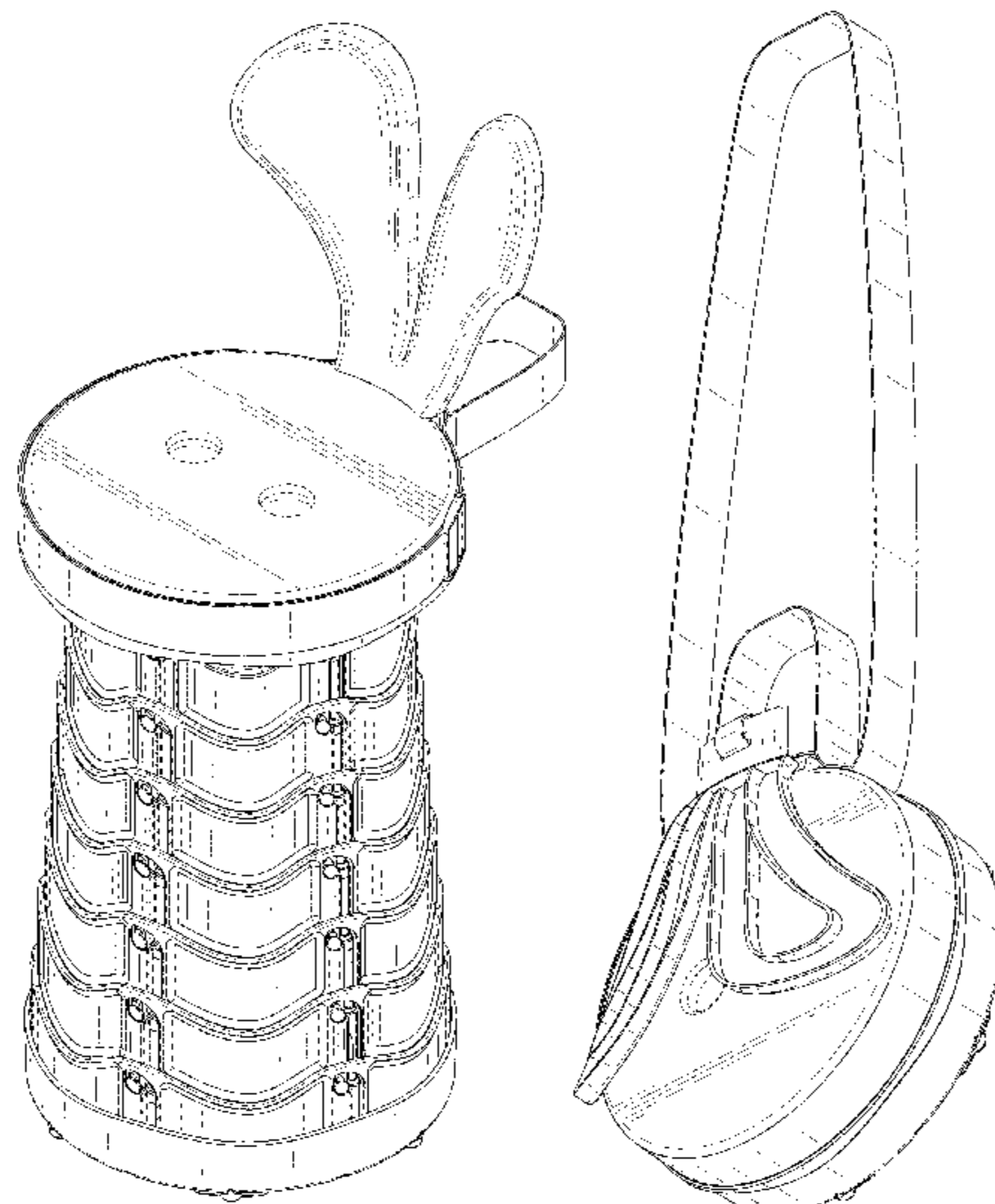
FIG. 9 is an enlarged view of an area labeled 9 in FIG. 2.

FIG. 10 is a perspective view of the folding stool folded up; and,

FIG. 11 is another perspective view of the folding stool folded up and a strap is unfastened from a cover of the folding stool.

The broken lines in the drawings depict environmental structure and boundaries and form no part of the claimed design.

**1 Claim, 11 Drawing Sheets**



(56)

**References Cited**

U.S. PATENT DOCUMENTS

D801,064 S *	10/2017	Von Boetticher .....	D6/352
D809,309 S *	2/2018	Theesfeld .....	D6/349
D809,809 S *	2/2018	Theesfeld .....	D6/352
D812,919 S *	3/2018	Kim .....	D6/352
D830,710 S *	10/2018	Harguth .....	D6/349
D839,009 S	1/2019	Garbus et al.	
D843,745 S *	3/2019	Walser .....	D6/349
D853,740 S *	7/2019	Corey .....	D6/352
D865,384 S	11/2019	Cao	
D867,000 S	11/2019	Liu et al.	
D873,042 S *	1/2020	Dai .....	D6/353
D878,067 S *	3/2020	You .....	D6/353

\* cited by examiner

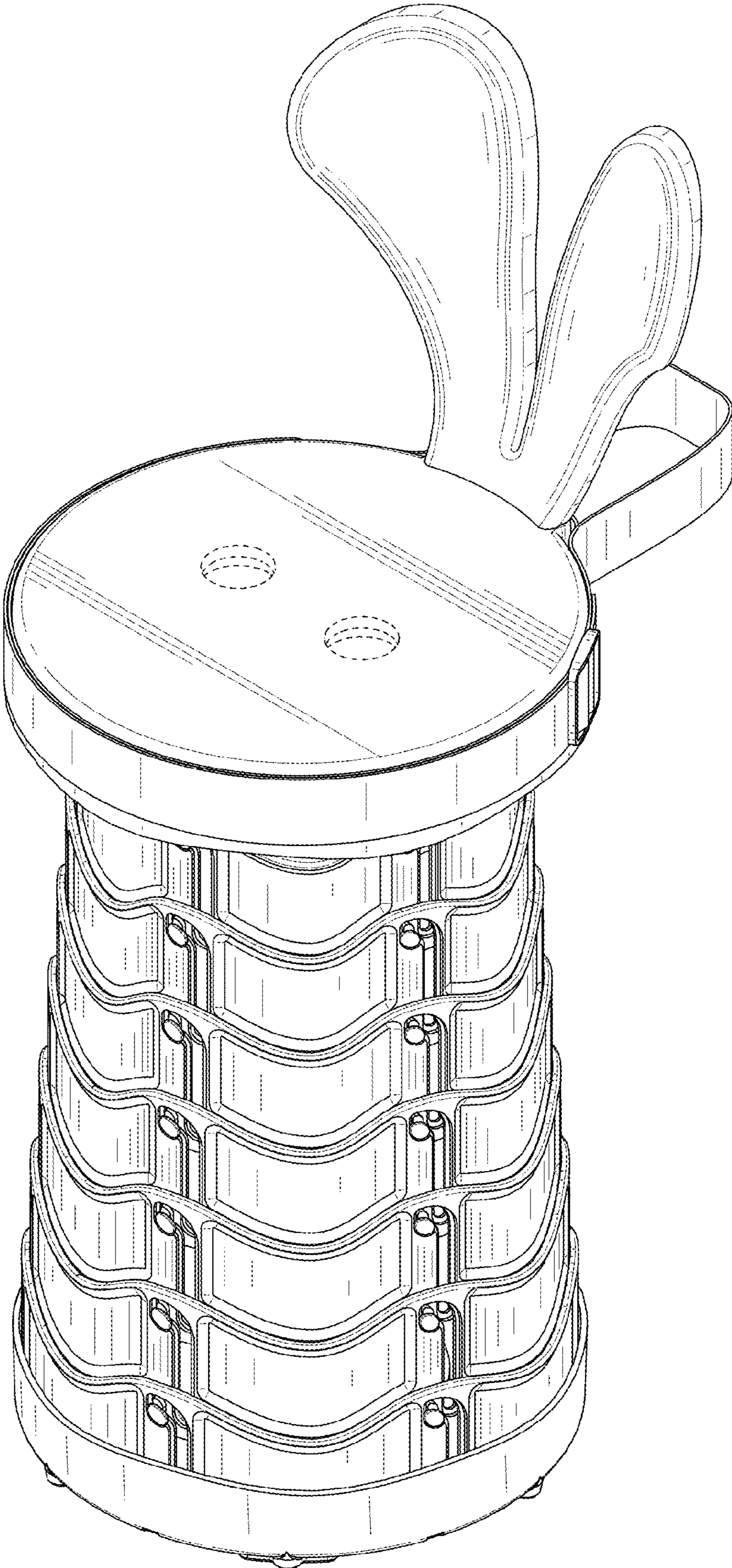


FIG. 1

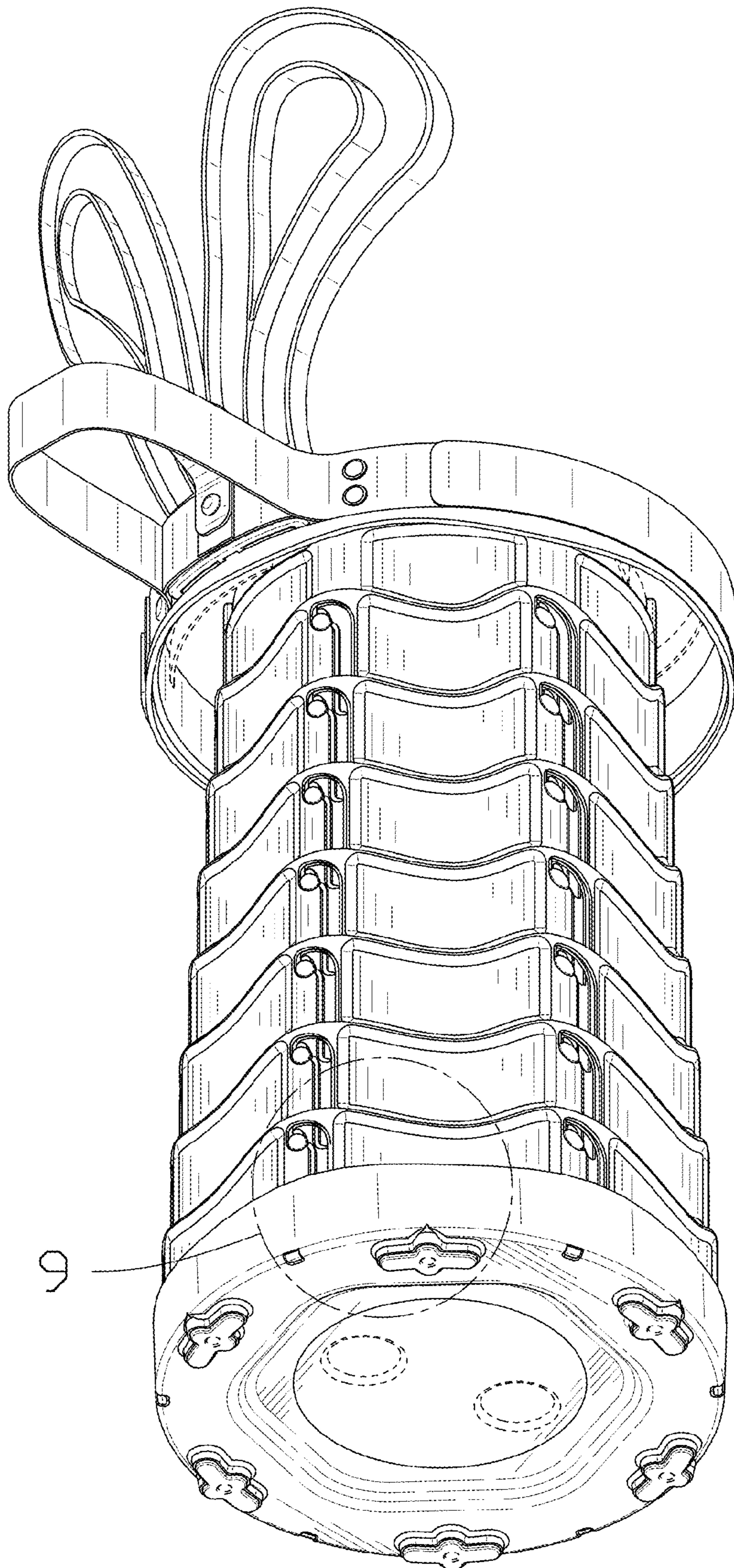


FIG. 2

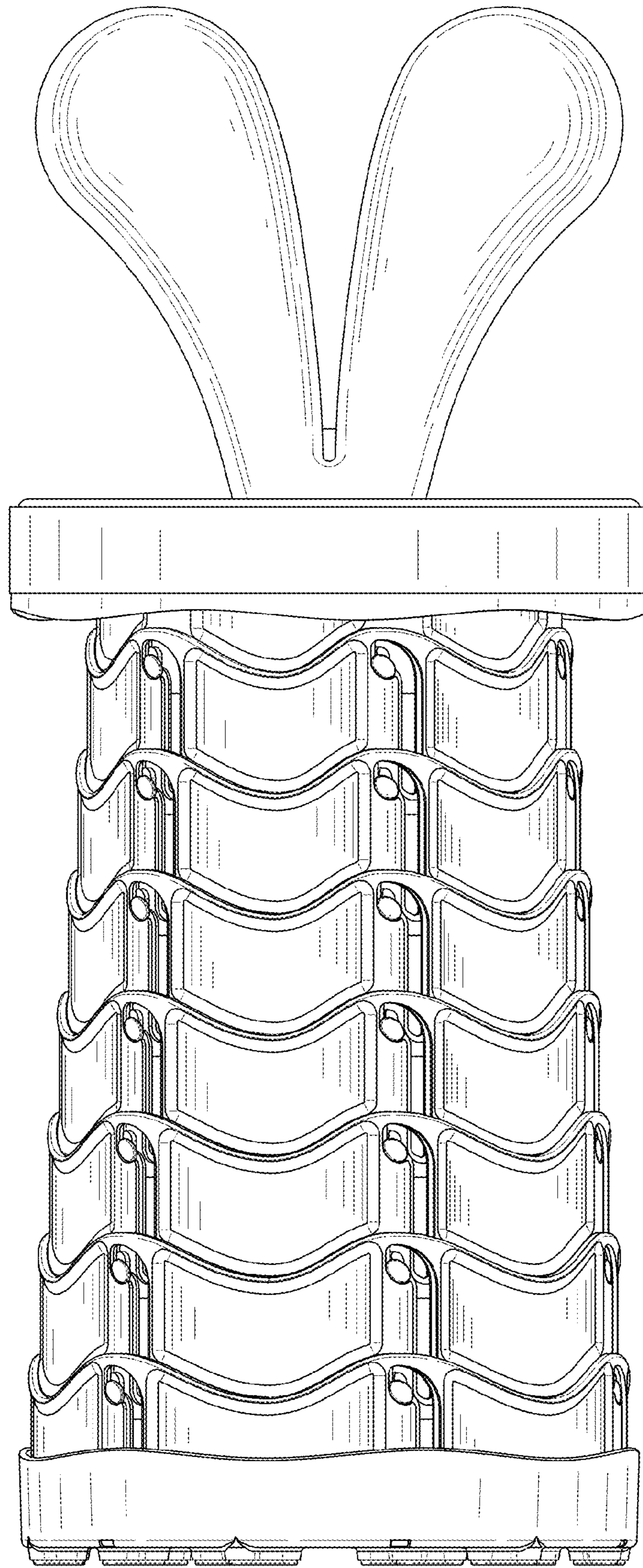


FIG. 3

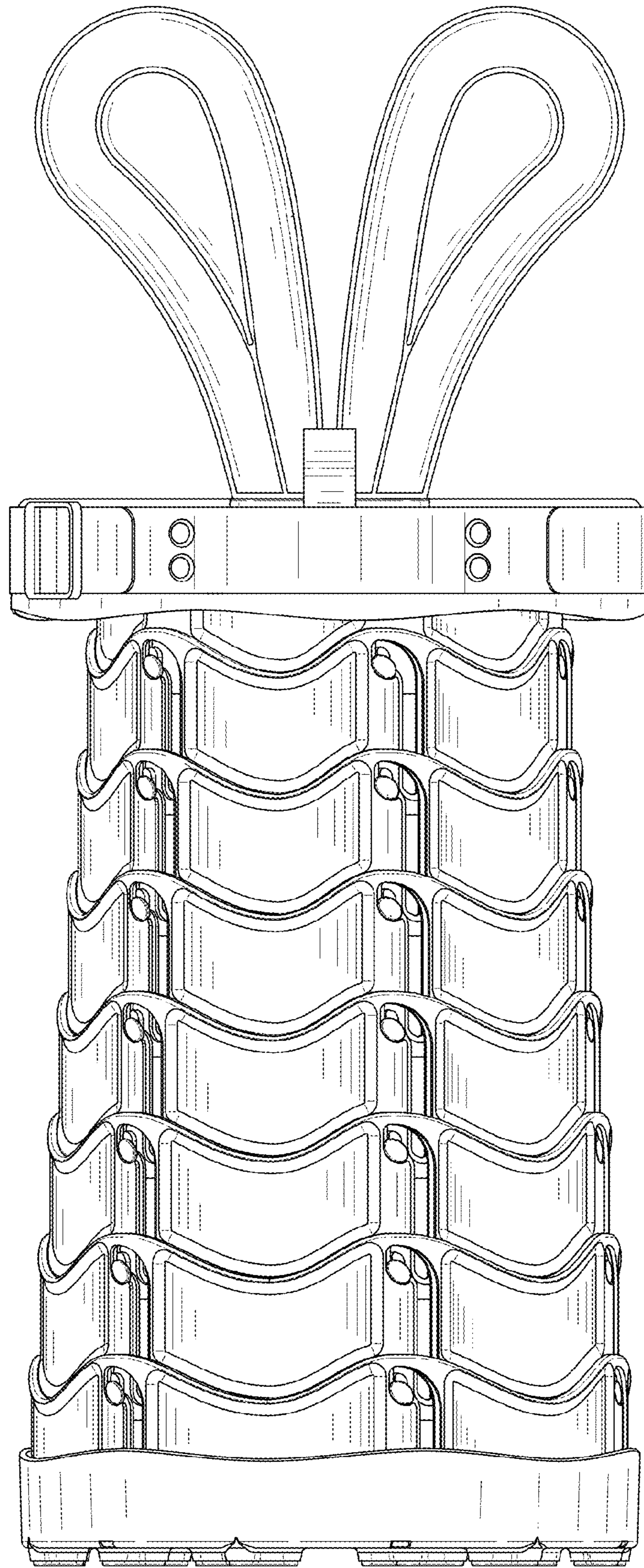


FIG. 4

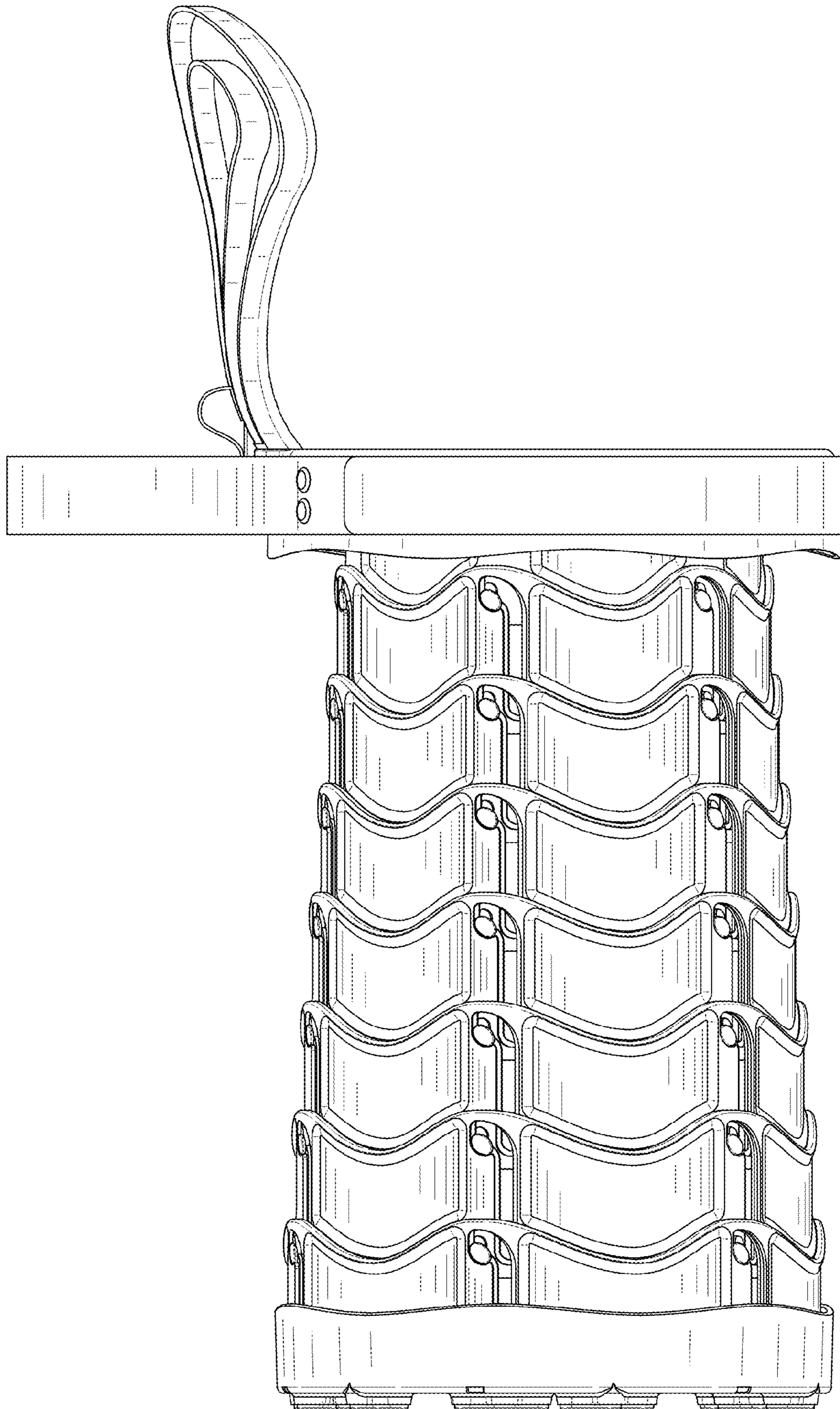


FIG. 5

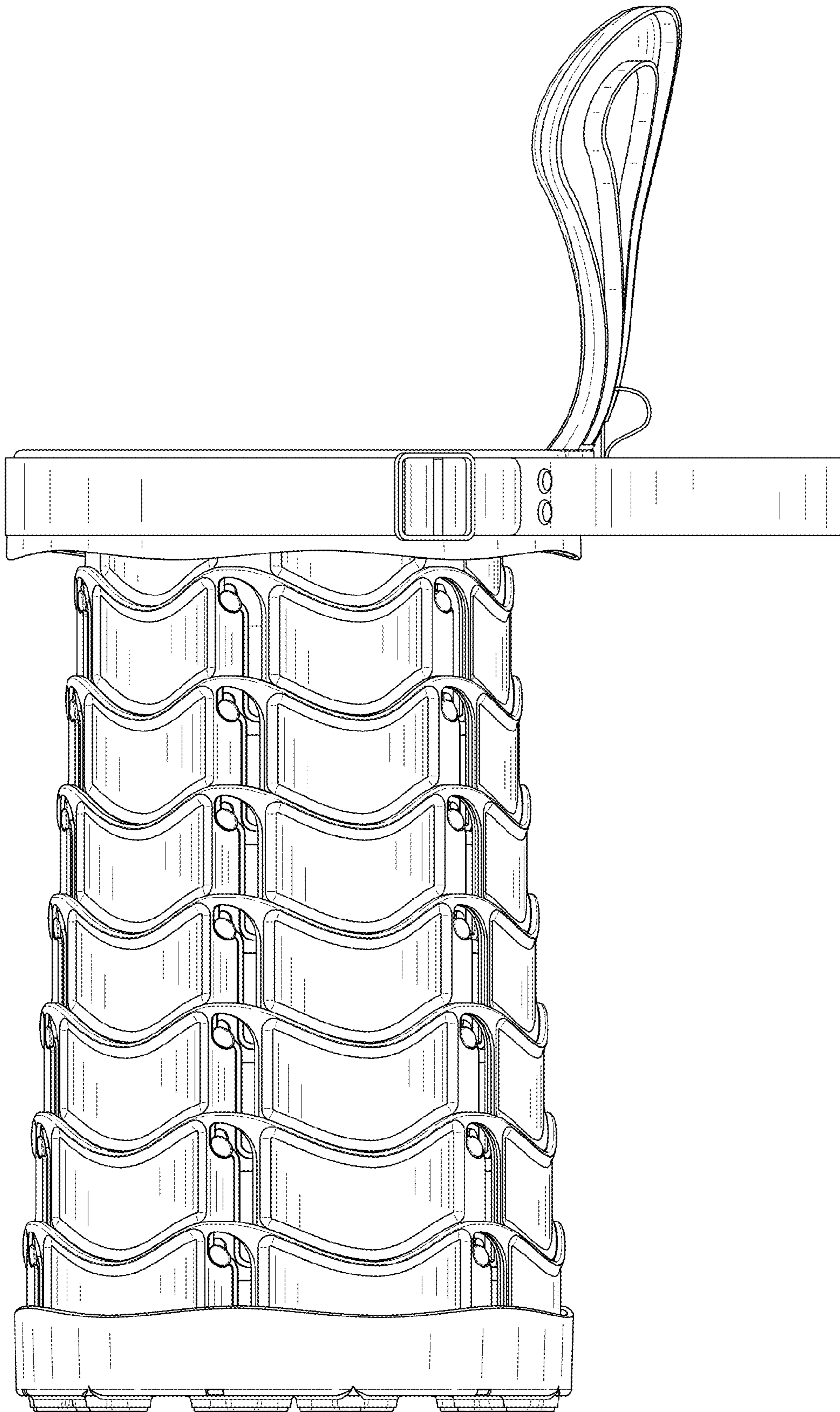


FIG. 6



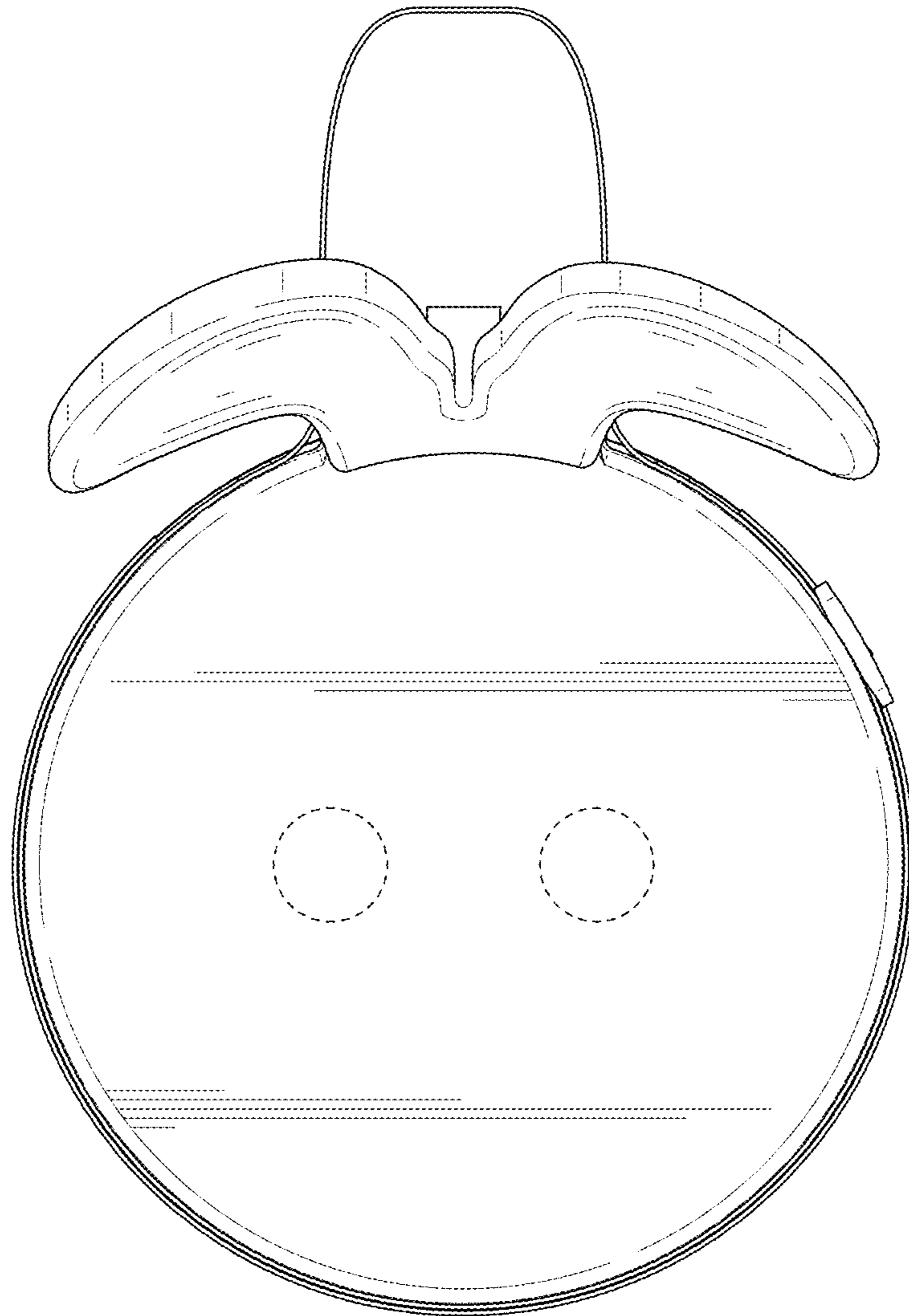


FIG. 7

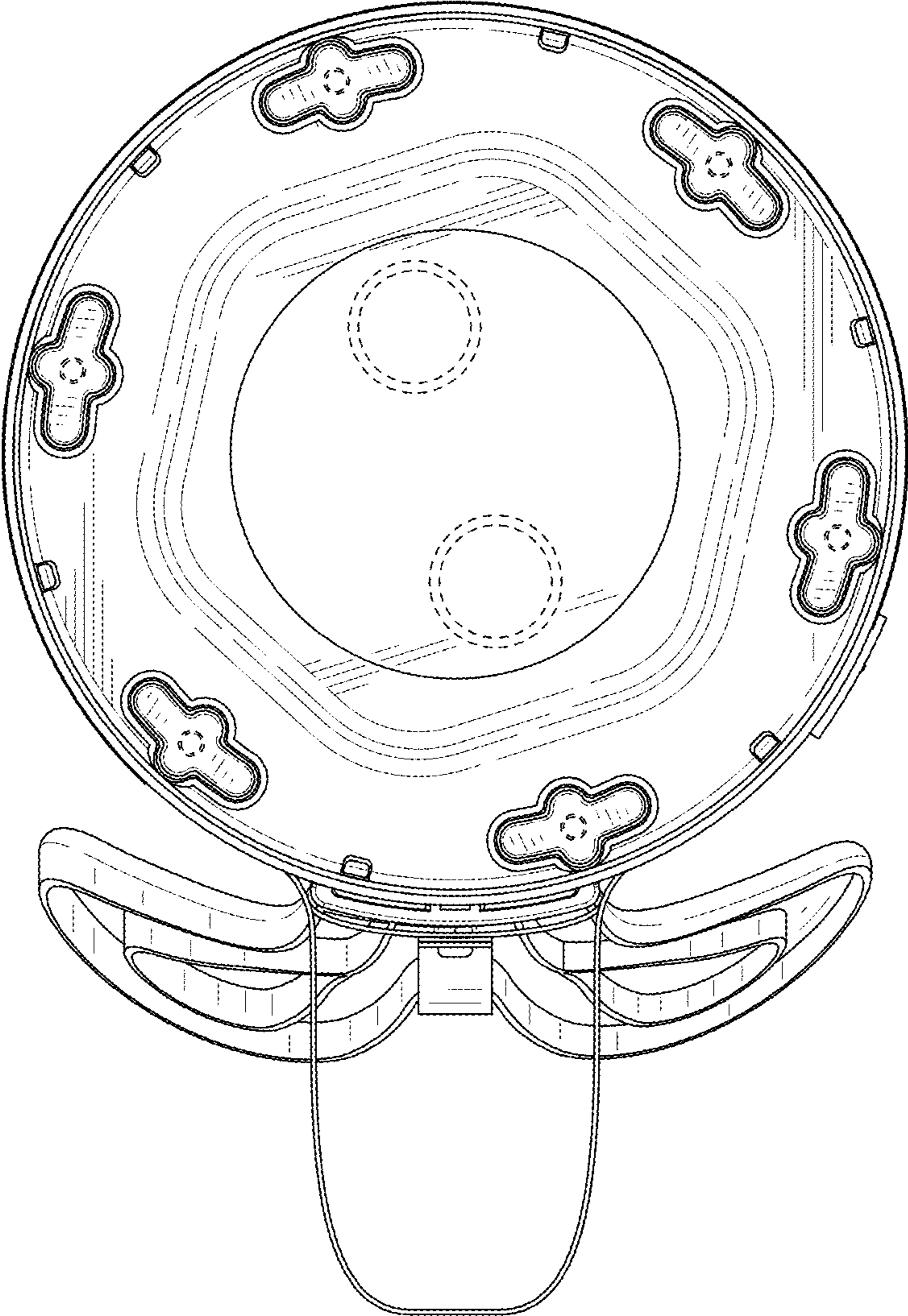


FIG. 8

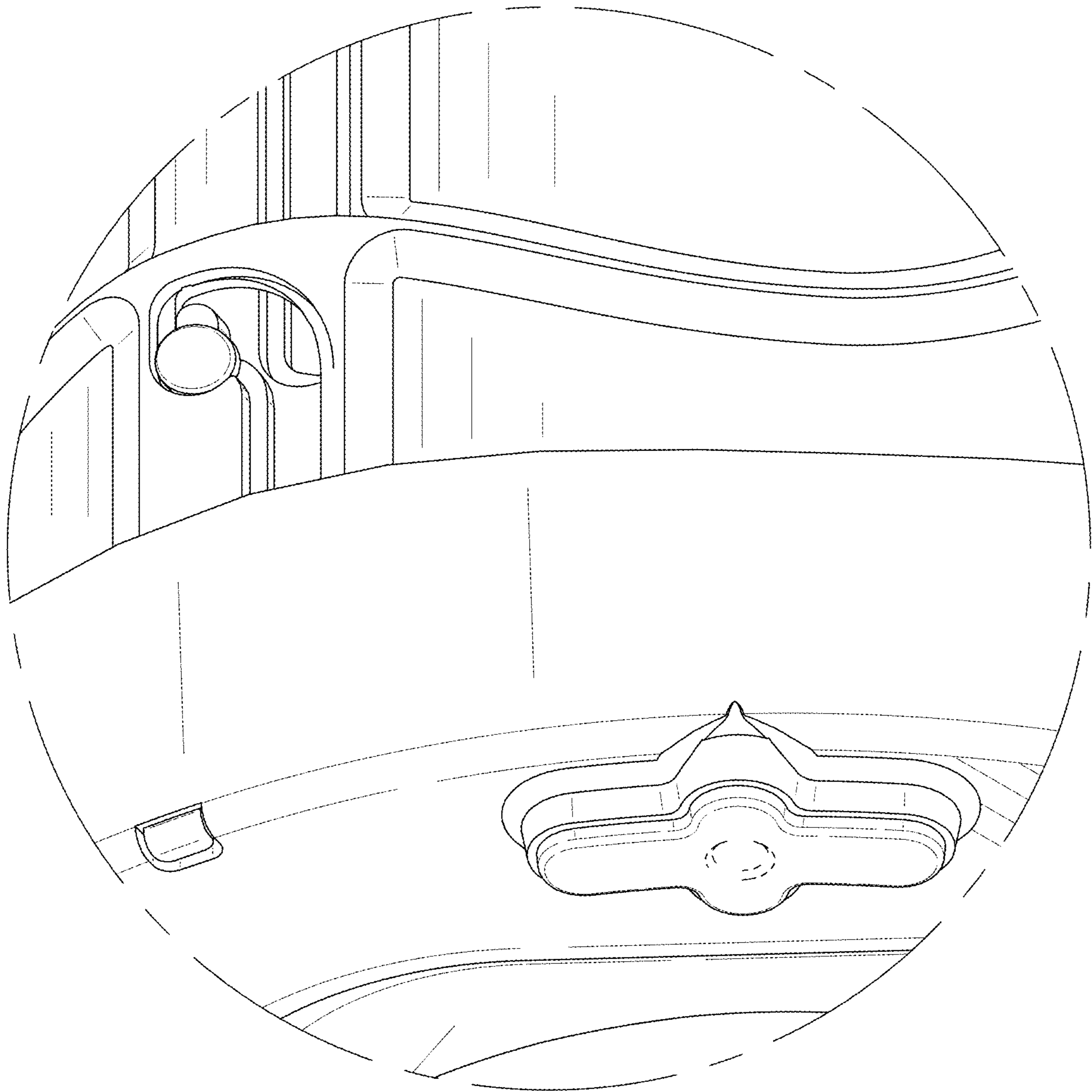


FIG. 9

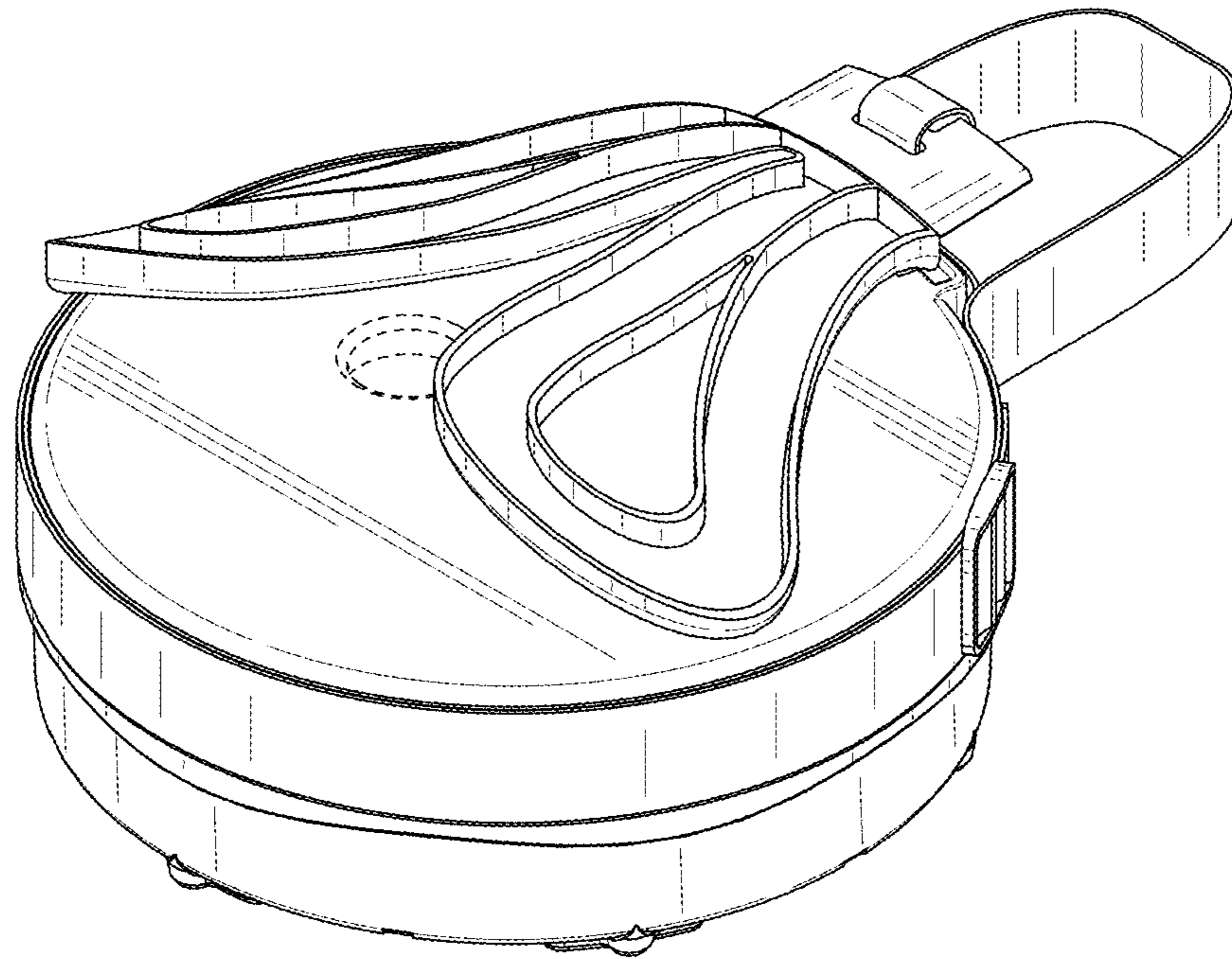


FIG. 10

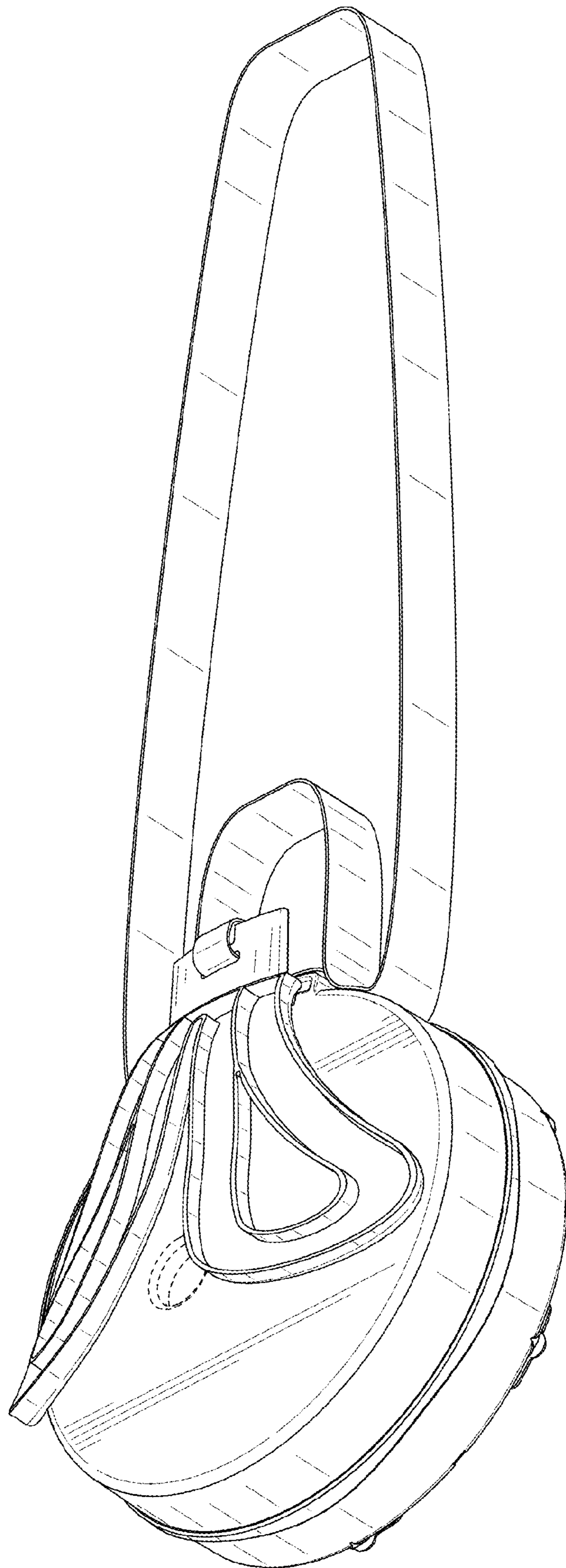


FIG. 11