



US00D893203S

(12) **United States Design Patent**
O'Brien

(10) **Patent No.:** **US D893,203 S**

(45) **Date of Patent:** **** Aug. 18, 2020**

(54) **CHAIR**

(71) Applicant: **James Daniel O'Brien**, Wallan (AU)

(72) Inventor: **James Daniel O'Brien**, Wallan (AU)

(**) Term: **15 Years**

(21) Appl. No.: **29/660,488**

(22) Filed: **Aug. 21, 2018**

(30) **Foreign Application Priority Data**

Jul. 30, 2018 (AU) 201814531

(51) **LOC (12) Cl.** **06-01**

(52) **U.S. Cl.**
USPC **D6/348**

(58) **Field of Classification Search**
USPC D6/347, 348, 361, 716, 718, 344, 373,
D6/375, 379, 380, 330, 334, 335, 366,
D6/369, 372, 385, 708.16; D12/52;
D21/412, 688; D24/183, 200
CPC A45F 3/22; A45F 3/24; A45F 3/26; A47D
13/10; A47D 13/105; A47D 9/02; A47C
1/14; A47C 3/0255; A47C 3/029; A47C
3/027; A47C 3/02; A47C 3/04; A47C
3/34; A47C 4/02; A47C 4/03; A47C 4/04;
A47C 5/12; A47C 7/52; A47C 7/506;
A47C 9/007; A47C 15/008; A47C 17/84;
A47C 31/00; A63G 9/00; A63G 9/02;
Y10S 135/909; Y10T 403/32409
See application file for complete search history.

(56) **References Cited**

U.S. PATENT DOCUMENTS

333,273 A * 12/1885 Achenbach A47C 3/029
297/20

1,228,967 A * 6/1917 Rho A47C 3/029
297/20

1,754,703 A * 4/1930 Swindler A47C 3/029
297/260.3

2,295,122 A * 9/1942 Moeller A47C 1/035
297/87

2,679,284 A * 5/1954 Luckhardt A47O 4/46
297/29

2,679,285 A * 5/1954 Luckhardt A47C 1/032
297/321

2,679,286 A * 5/1954 Luckhardt A47O 4/46
297/19

2,681,099 A * 6/1954 Vallone A47C 1/035
297/31

2,728,376 A * 12/1955 Halde A47C 1/143
297/22

2,740,465 A * 4/1956 Mugler A47C 1/027
297/31

D197,714 S * 3/1964 Rodd D6/348

D279,335 S * 6/1985 Frinier D6/361

(Continued)

FOREIGN PATENT DOCUMENTS

AU 353522 2/2014

AU 364680 12/2015

Primary Examiner — Kevin K Rudzinski
Assistant Examiner — Paul D Bohannon
(74) *Attorney, Agent, or Firm* — Lodestone Legal Group;
Jerome V. Sartain

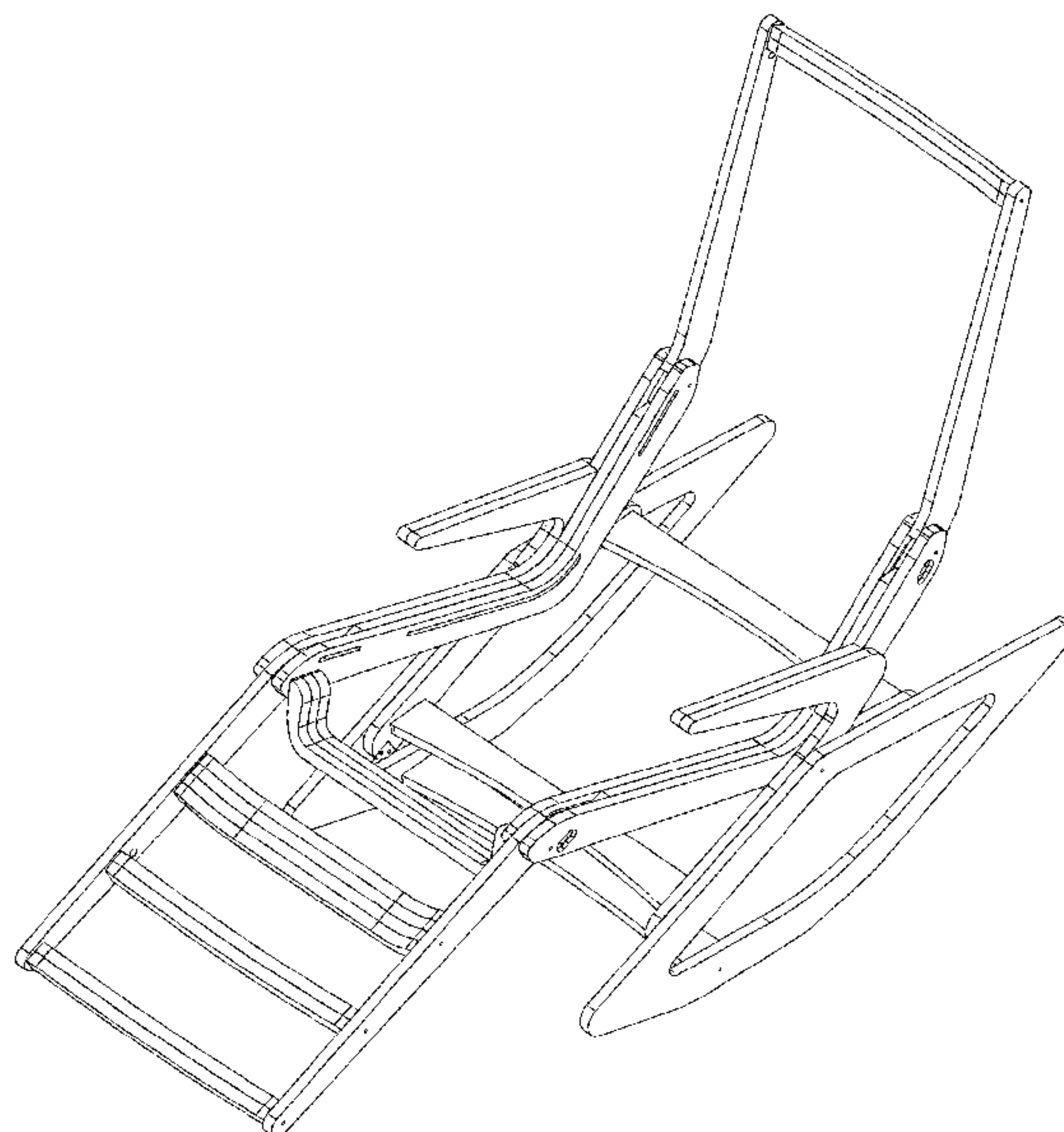
(57) **CLAIM**

The ornamental design for a chair, as shown and described.

DESCRIPTION

FIG. 1 is a perspective view of the new design for a chair;
FIG. 2 is a front view thereof;
FIG. 3 is a back view thereof;
FIG. 4 is a right side view thereof;
FIG. 5 is a left side view thereof;
FIG. 6 is a top view thereof; and,
FIG. 7 is a bottom view thereof.

1 Claim, 7 Drawing Sheets



(56)

References Cited

U.S. PATENT DOCUMENTS

D291,948	S	*	9/1987	Conn	D6/361
D295,581	S	*	5/1988	Mallin	D6/361
4,919,481	A	*	4/1990	Garabedian	A47C 3/029
						297/271.6
D340,813	S	*	11/1993	Liu	D6/348
D515,323	S	*	2/2006	Memmel	D6/344
D556,465	S	*	12/2007	Massaud	D6/348
D874,168	S	*	2/2020	Weng	D6/348

* cited by examiner

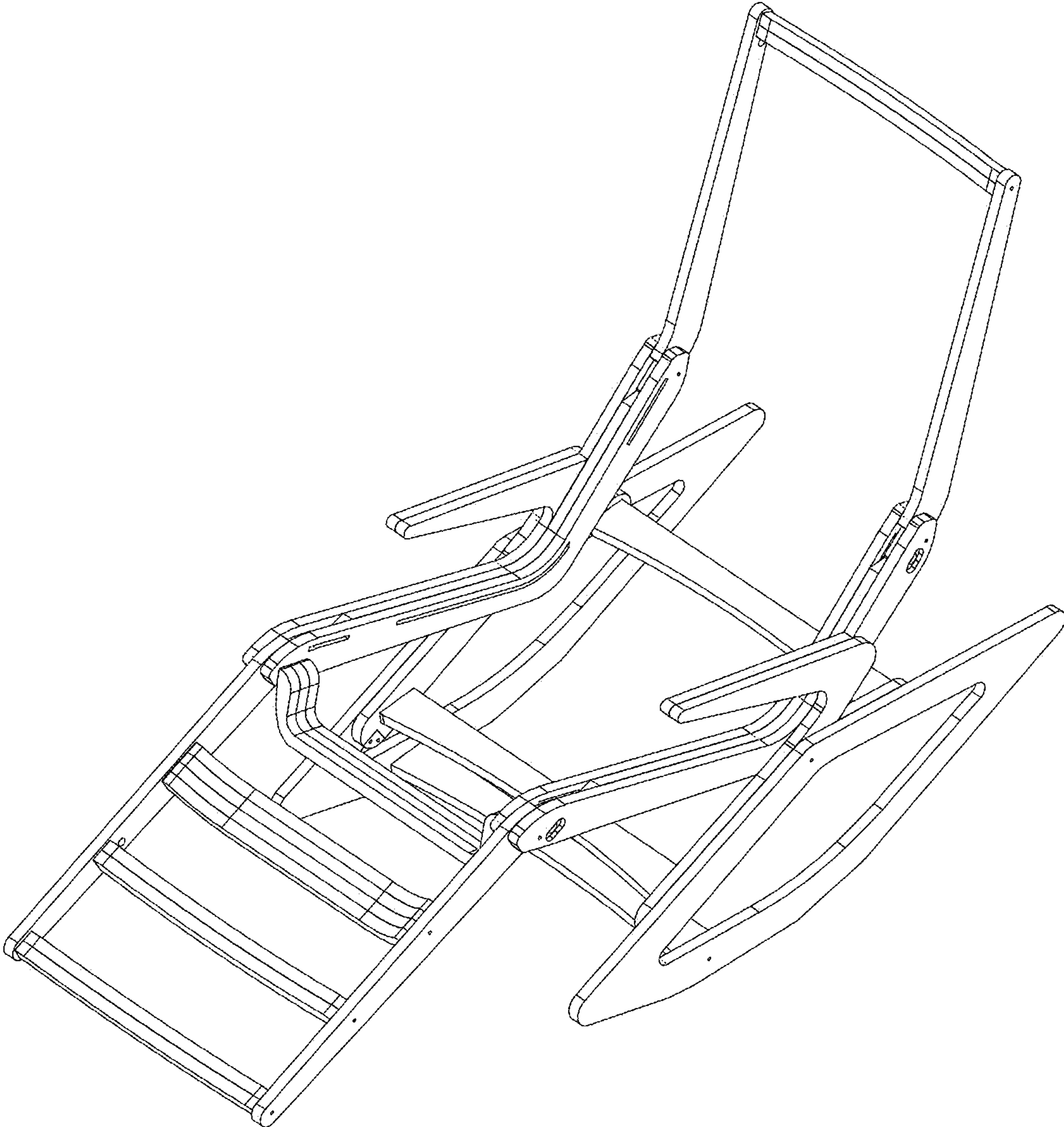


Fig. 1

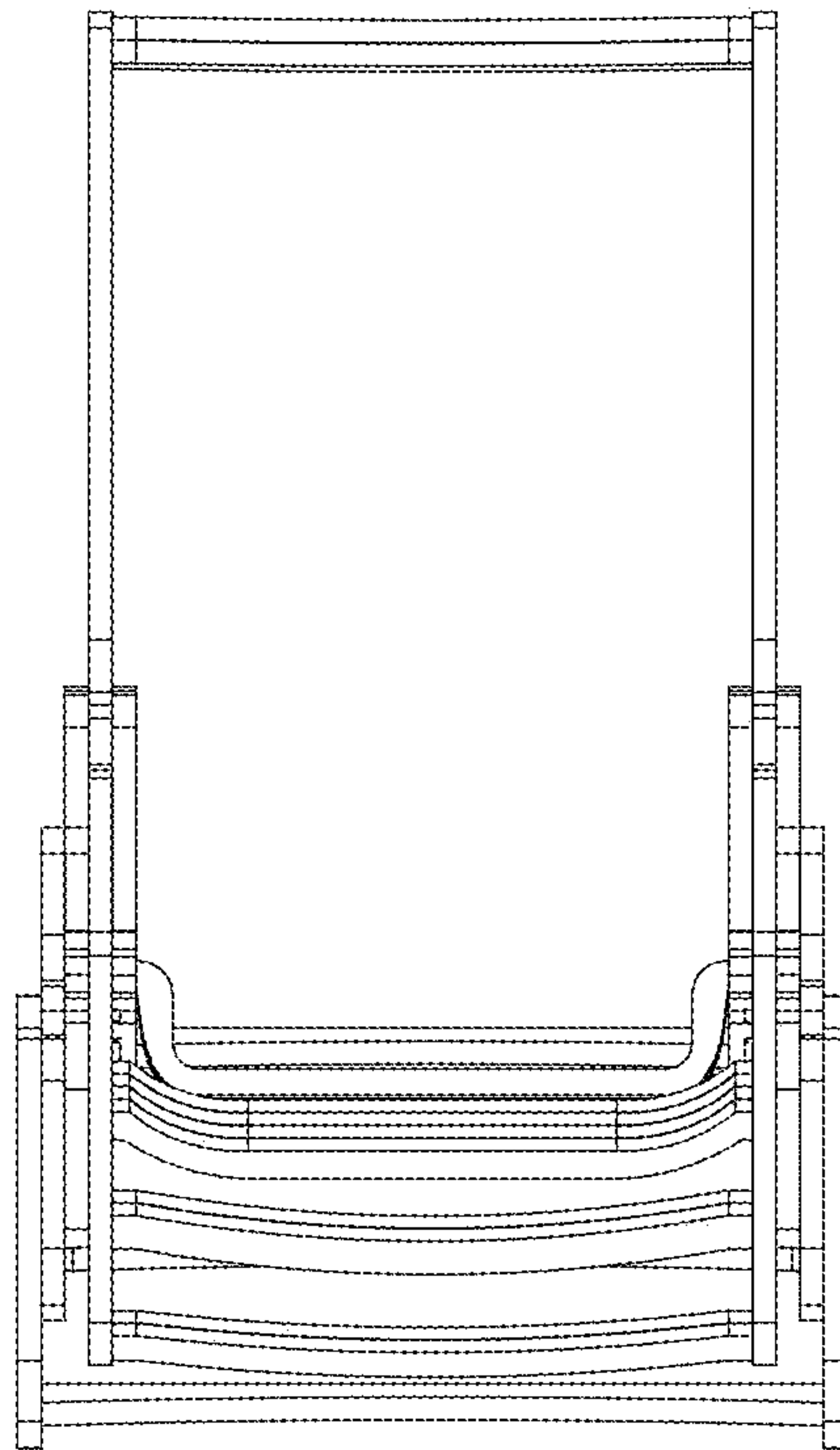


Fig. 2

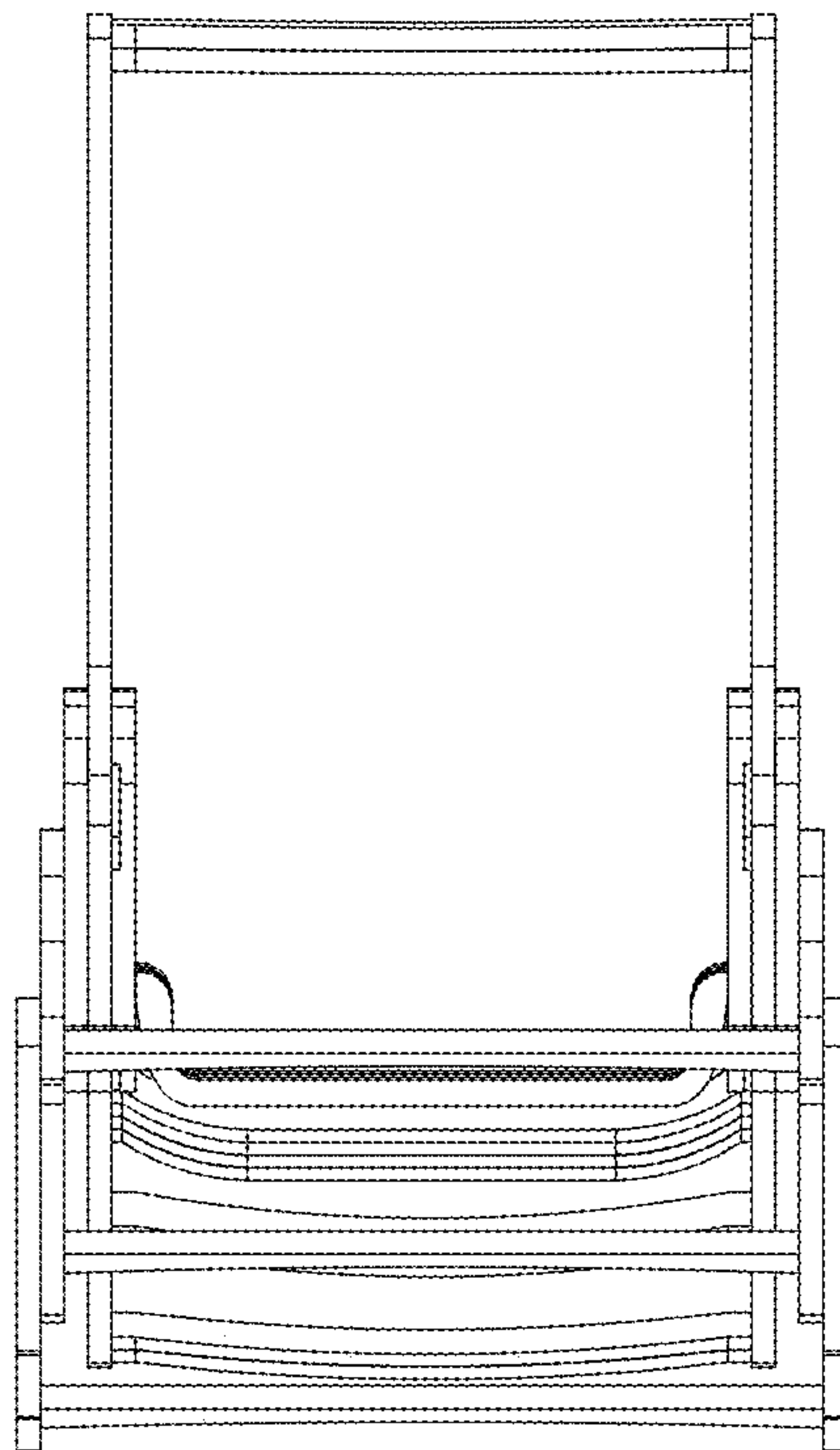


Fig. 3

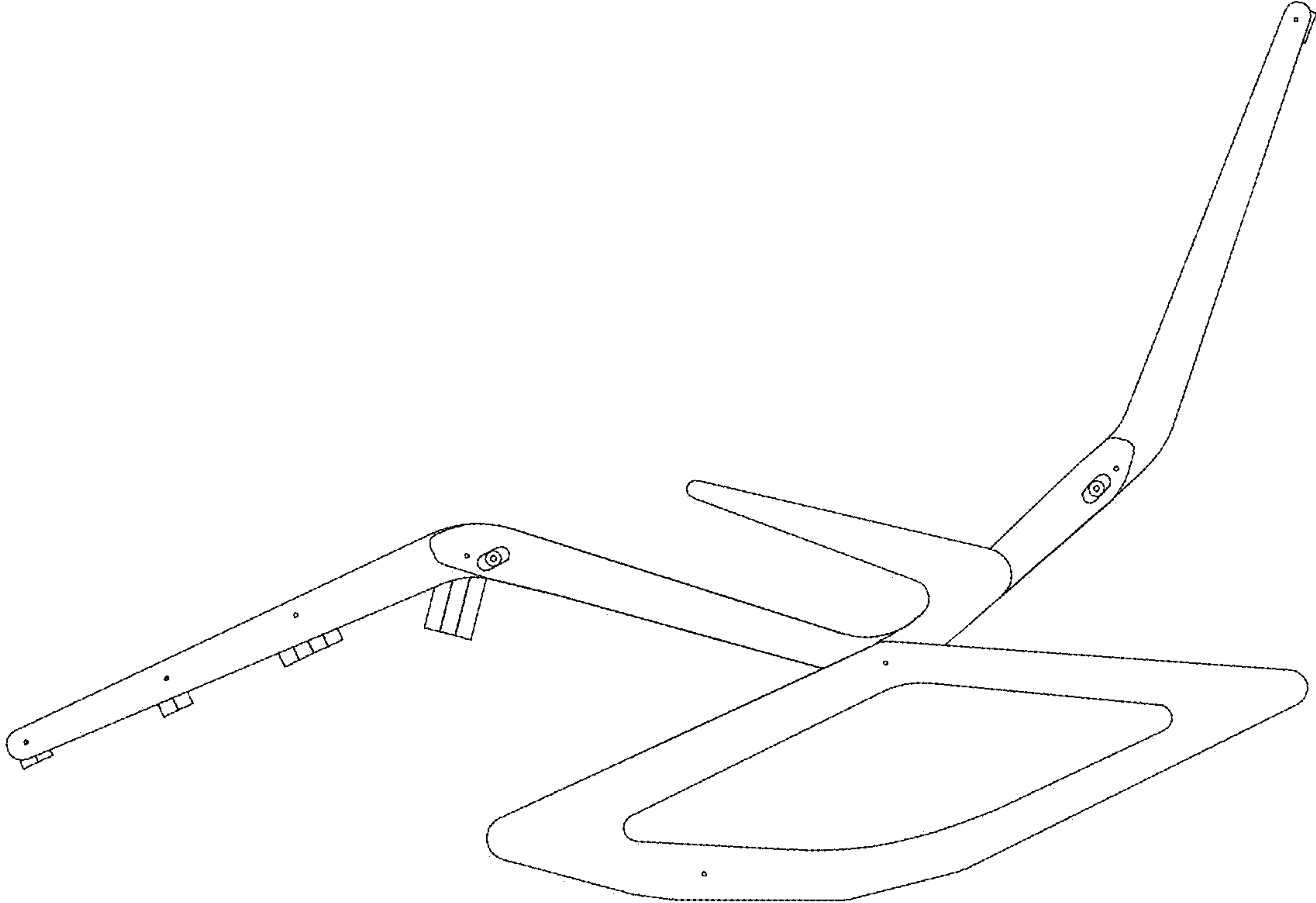


Fig. 4

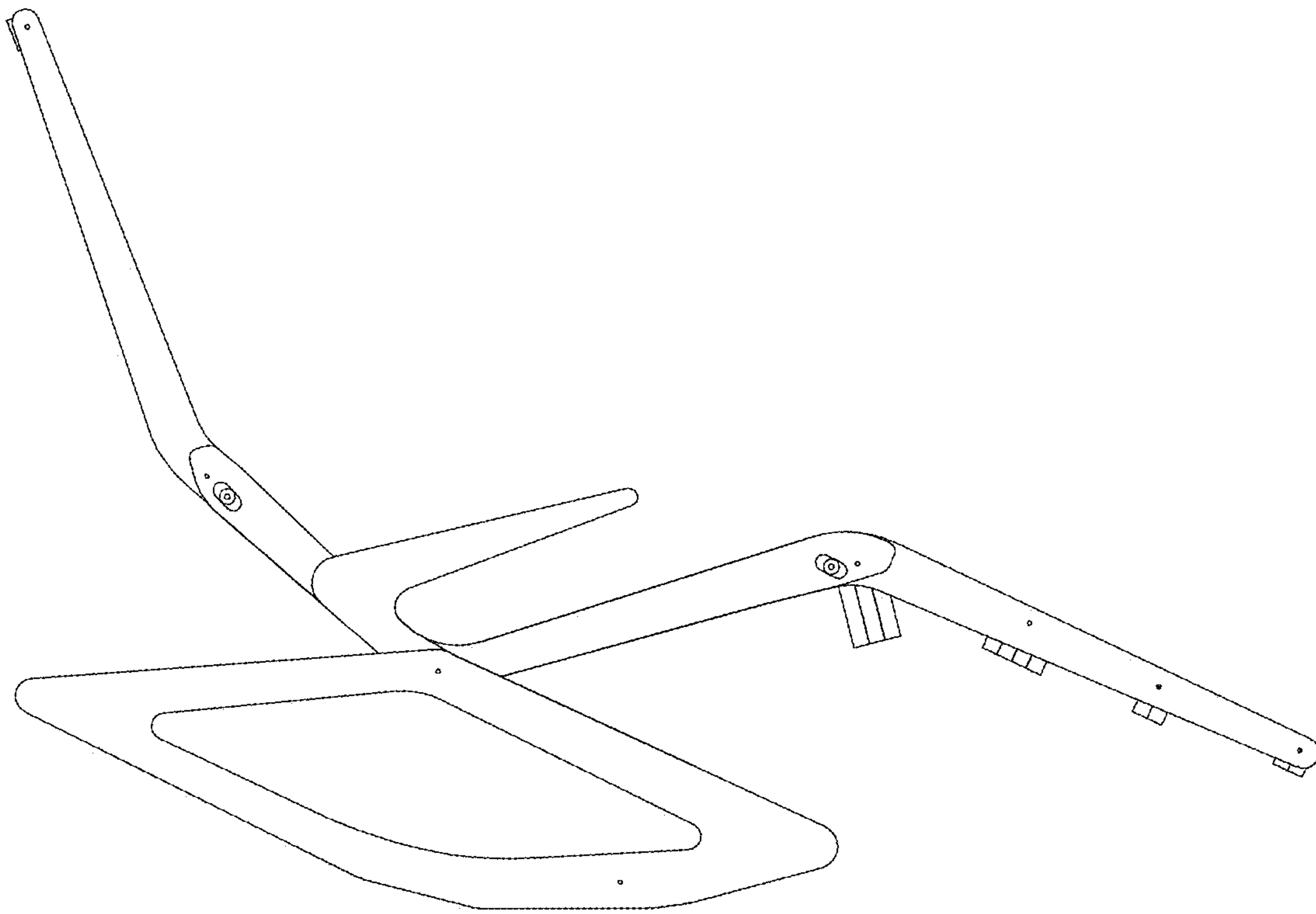


Fig. 5

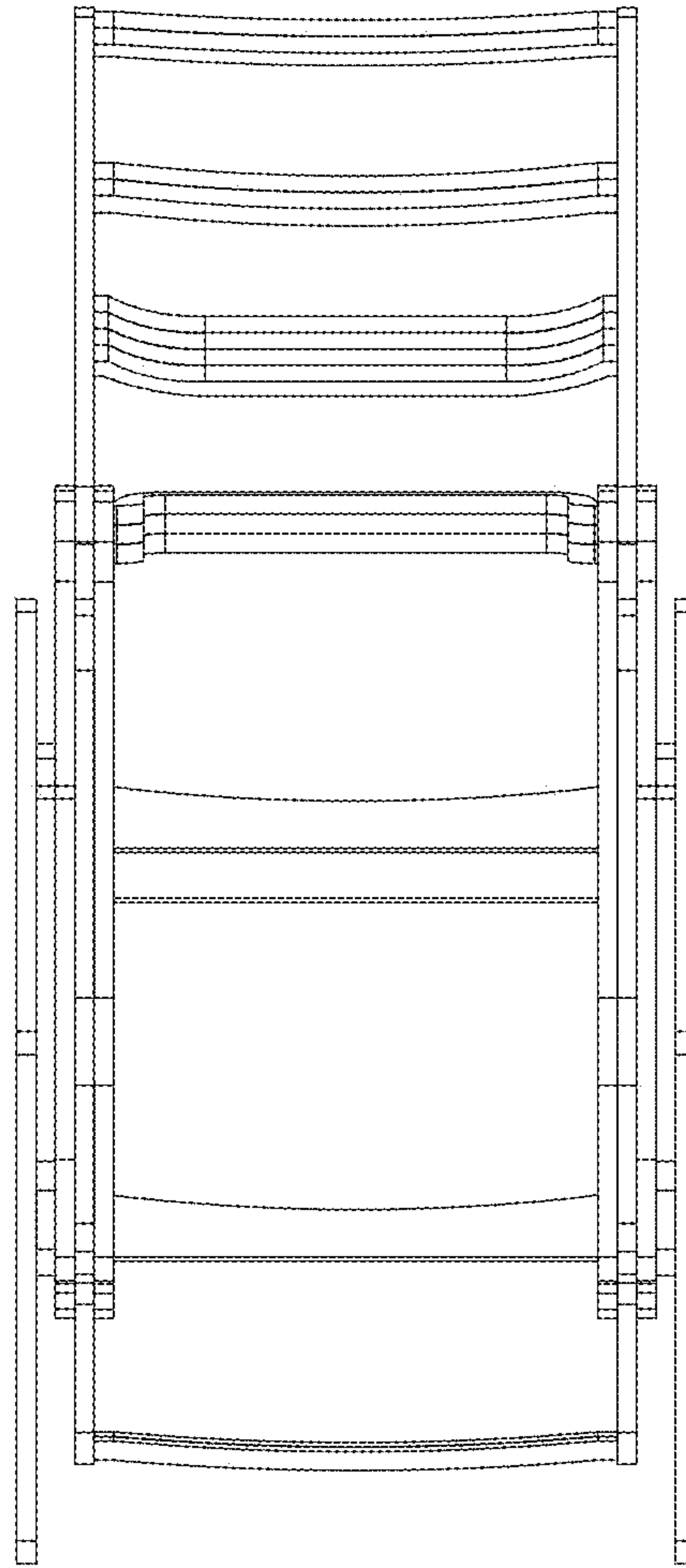


Fig. 6

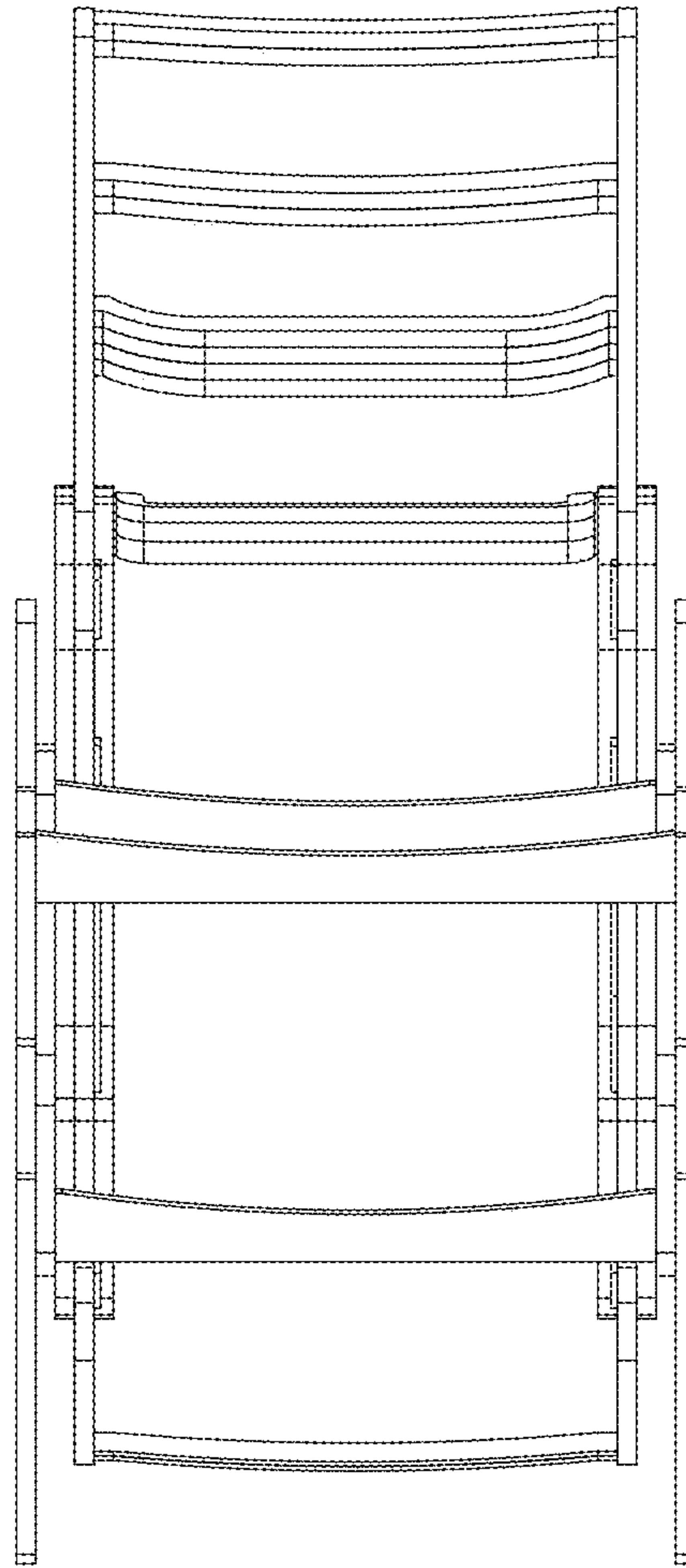


Fig. 7