



US00D893201S

(12) **United States Design Patent**
Jiang

(10) **Patent No.:** **US D893,201 S**

(45) **Date of Patent:** **** Aug. 18, 2020**

(54) **DIGITAL PHOTO FRAME**

(71) Applicant: **Zini Jiang**, Shenzhen (CN)

(72) Inventor: **Zini Jiang**, Shenzhen (CN)

(73) Assignee: **SHENZHEN YOUYIDA DIGITAL CO., LTD.**, Shenzhen (CN)

(**) Term: **15 Years**

(21) Appl. No.: **29/667,999**

(22) Filed: **Oct. 26, 2018**

(51) **LOC (12) Cl.** **06-06**

(52) **U.S. Cl.**
USPC **D6/308; D14/371; D14/374**

(58) **Field of Classification Search**
USPC D6/300-314; D10/15, 21, 24; D14/336,
D14/371, 374, 375
CPC G09G 2380/16
See application file for complete search history.

(56) **References Cited**

U.S. PATENT DOCUMENTS

| | | | | |
|--------------|---------|----------|-------|---------|
| D560,369 S * | 1/2008 | Chiang | | D14/374 |
| D560,371 S * | 1/2008 | Liu | | D6/300 |
| D570,610 S * | 6/2008 | Chuang | | D14/371 |
| D572,023 S * | 7/2008 | Park | | D14/371 |
| D572,025 S * | 7/2008 | Kwon | | D14/371 |
| D583,572 S * | 12/2008 | Zhai | | D14/371 |
| D601,814 S * | 10/2009 | Lissola | | D6/308 |
| D602,259 S * | 10/2009 | Finnegan | | D14/371 |
| D604,515 S * | 11/2009 | Tang | | D6/308 |
| D609,018 S * | 2/2010 | Tzeng | | D14/371 |
| D609,019 S * | 2/2010 | Zhang | | D14/371 |
| D610,355 S * | 2/2010 | Chigira | | D14/374 |
| D613,510 S * | 4/2010 | Tzeng | | D14/371 |
| D618,463 S * | 6/2010 | Nagase | | D6/300 |

| | | | | |
|--------------|---------|------------|-------|---------|
| D622,514 S * | 8/2010 | Park | | D6/308 |
| D626,343 S * | 11/2010 | Lee | | D14/371 |
| D629,216 S * | 12/2010 | Stoddard | | D6/308 |
| D634,131 S * | 3/2011 | Utsunomiya | | D6/308 |
| D634,320 S * | 3/2011 | Bliven | | D14/336 |
| D635,784 S * | 4/2011 | Li | | D6/308 |
| D637,822 S * | 5/2011 | Utsunomiya | | D6/308 |
| D642,385 S * | 8/2011 | Lee | | D6/308 |
| D666,423 S * | 9/2012 | Liu | | D6/308 |
| D834,428 S * | 11/2018 | Jiang | | D10/3 |
| D834,429 S * | 11/2018 | Jiang | | D10/3 |
| D862,250 S * | 10/2019 | Xie | | D10/24 |
| D875,095 S * | 2/2020 | Gan | | D14/374 |

* cited by examiner

Primary Examiner — Deanna L Pratt

(74) *Attorney, Agent, or Firm* — Law Offices of Steven W. Weinrieb

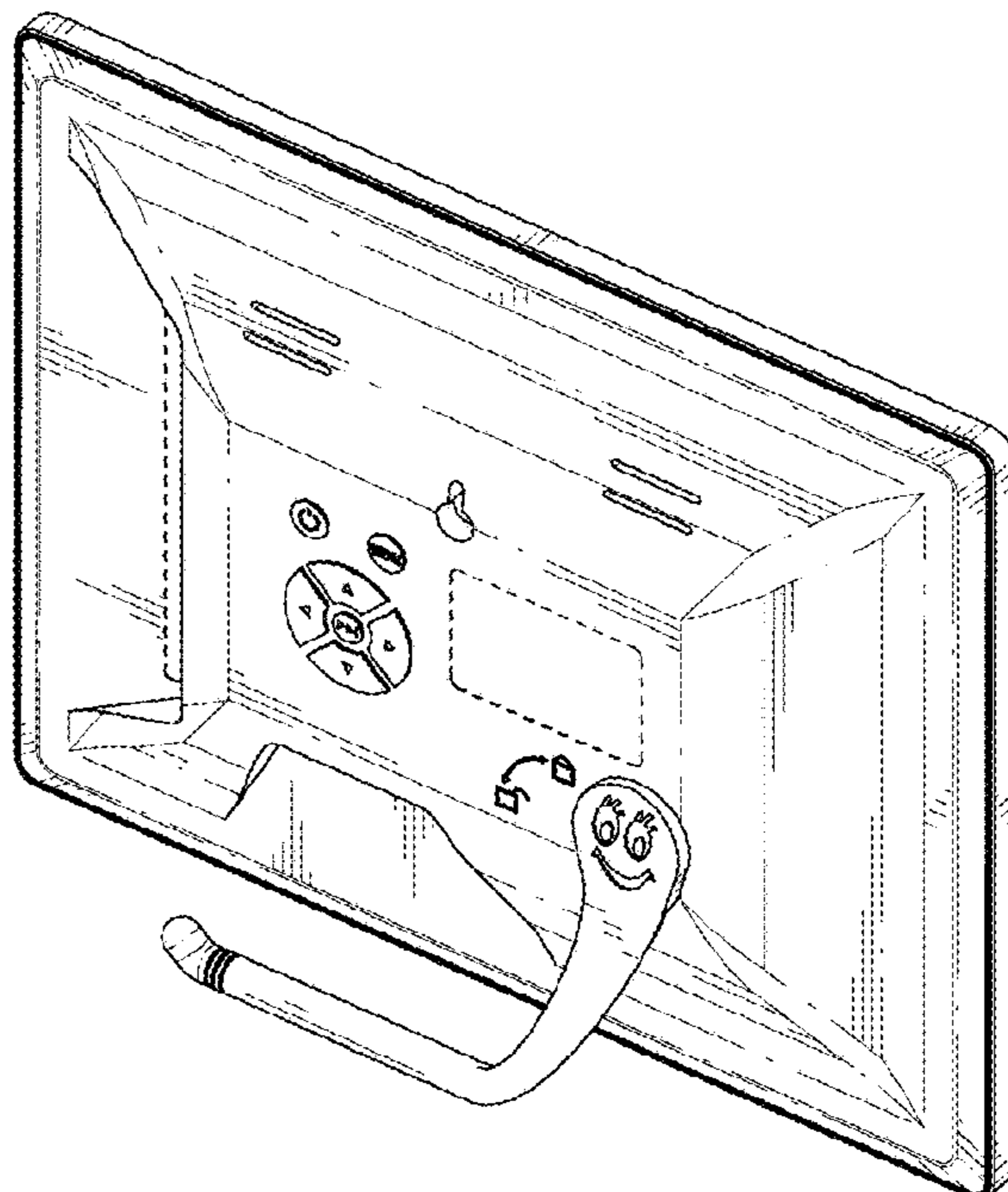
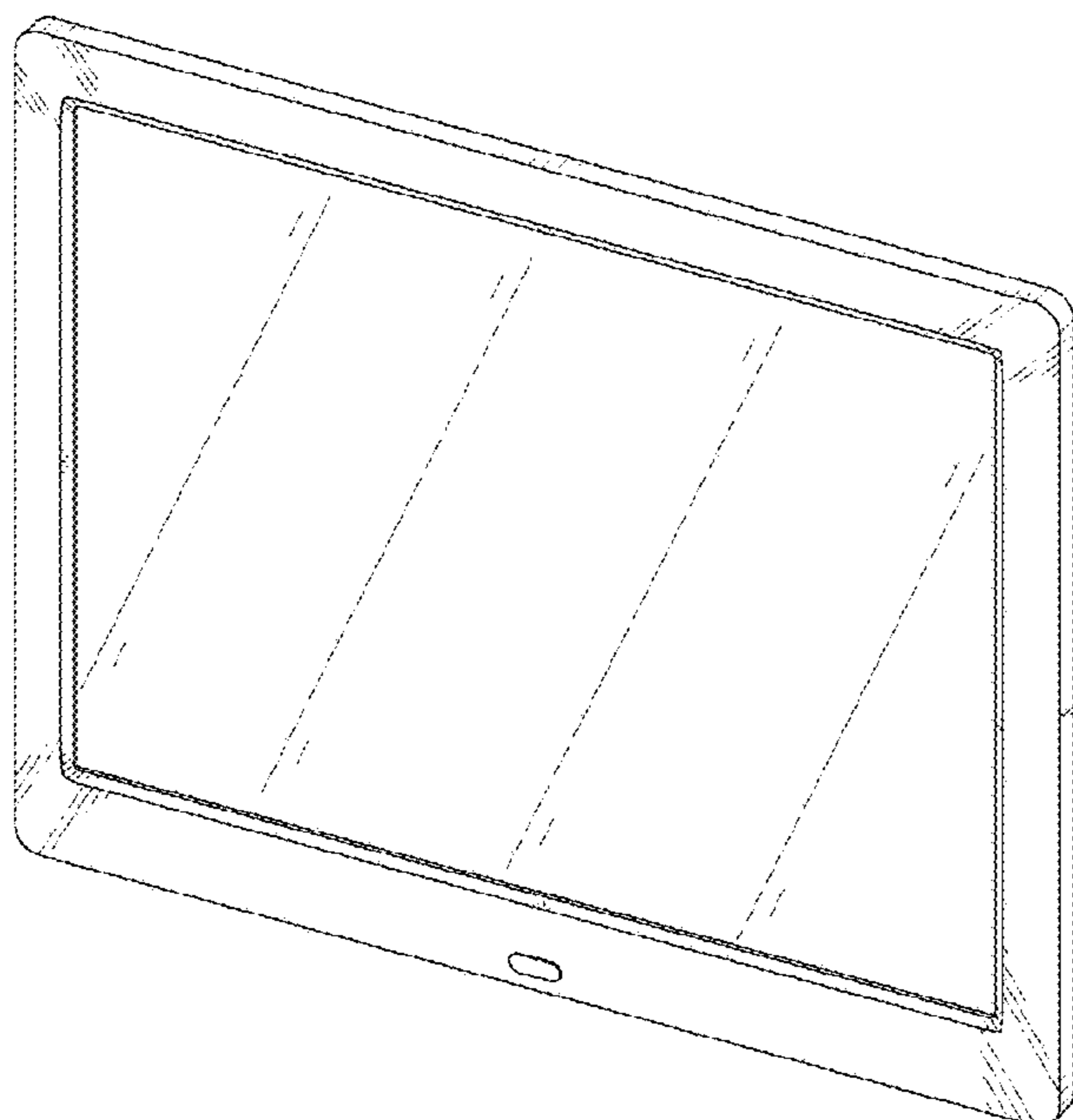
(57) **CLAIM**

The ornamental design for a digital photo frame, as shown and described.

DESCRIPTION

FIG. 1 is a front, right side, top perspective view of the digital photo frame showing my new design;
FIG. 2 is a rear, right side, top perspective view thereof;
FIG. 3 is a front elevational view thereof;
FIG. 4 is a rear elevational view thereof;
FIG. 5 is a left side elevational view thereof;
FIG. 6 is a right side elevational view thereof;
FIG. 7 is a top plan view thereof;
FIG. 8 is a bottom plan view thereof; and,
FIG. 9 is a rear, left side, top perspective view thereof.
The broken lines depict portions of the digital photo frame that form no part of the claimed design.

1 Claim, 9 Drawing Sheets



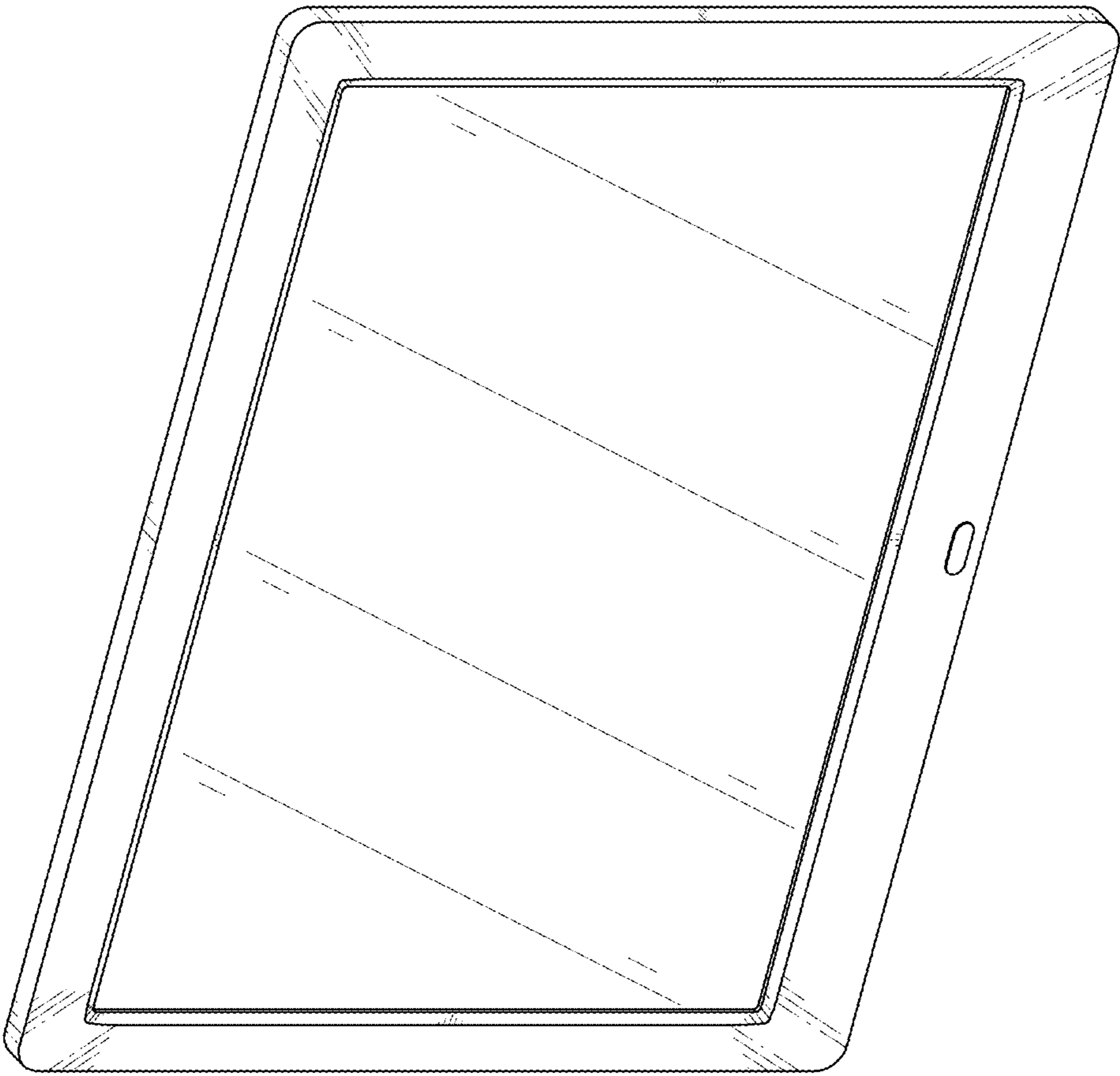


FIG. 1

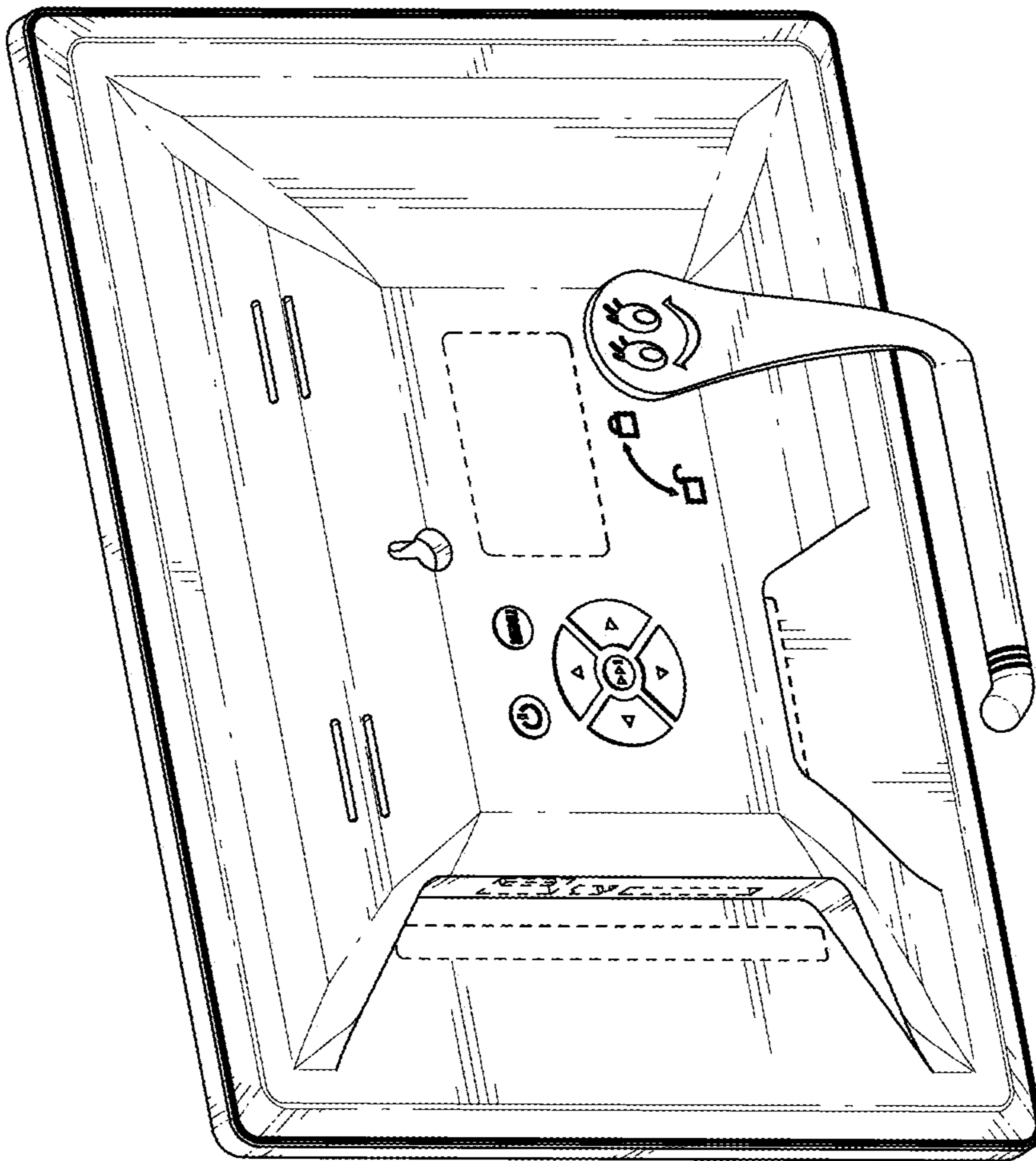


FIG. 2

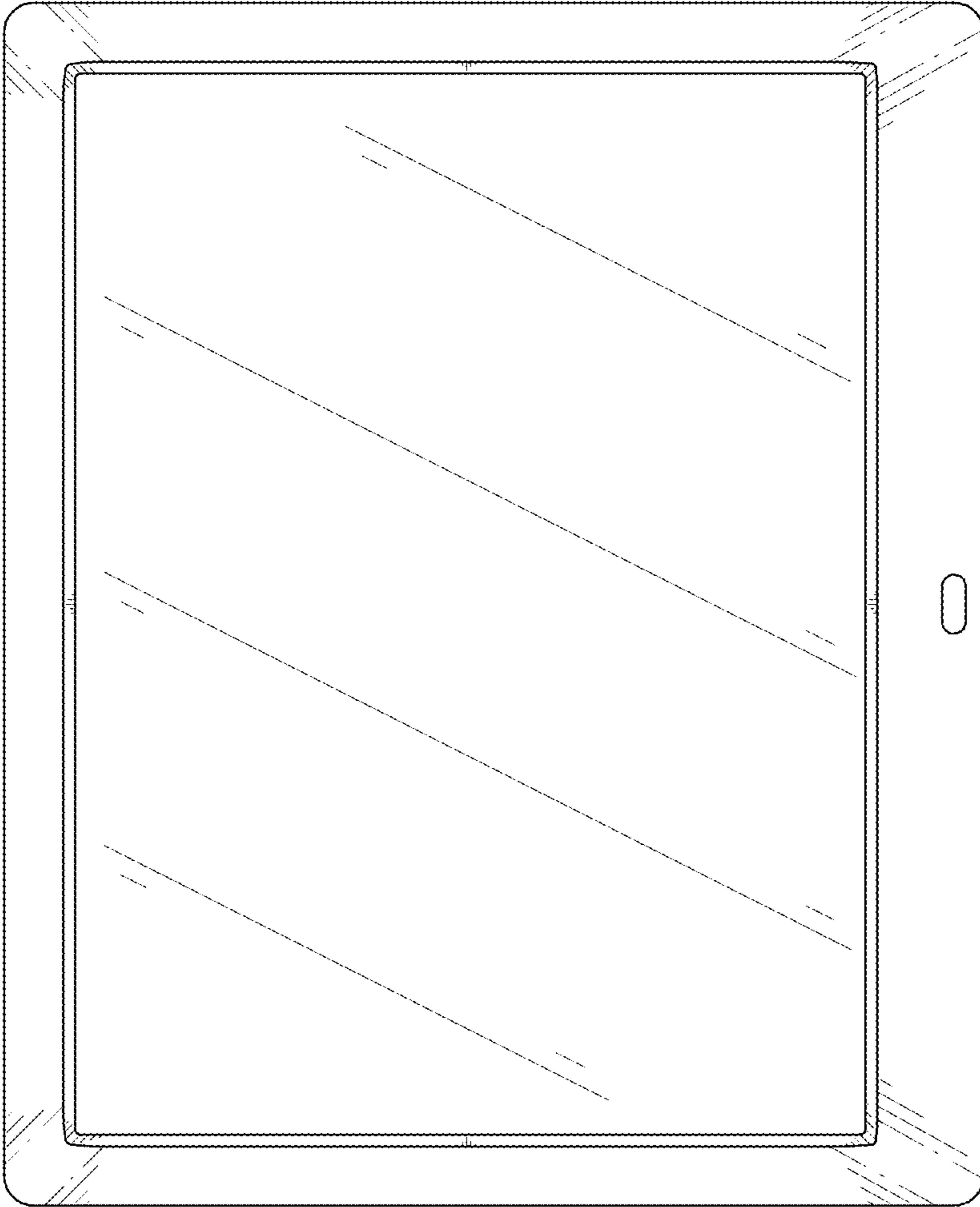


FIG. 3

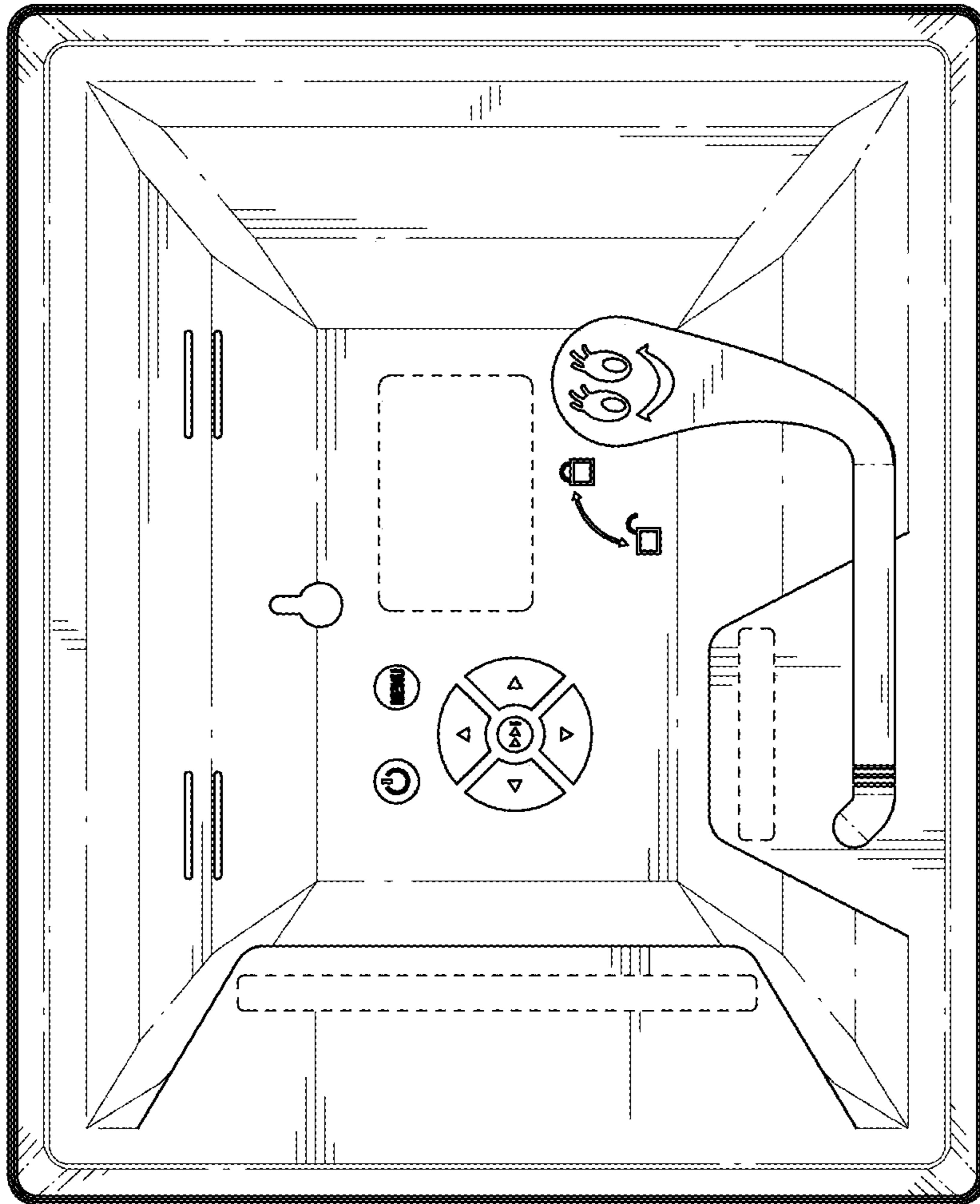


FIG. 4

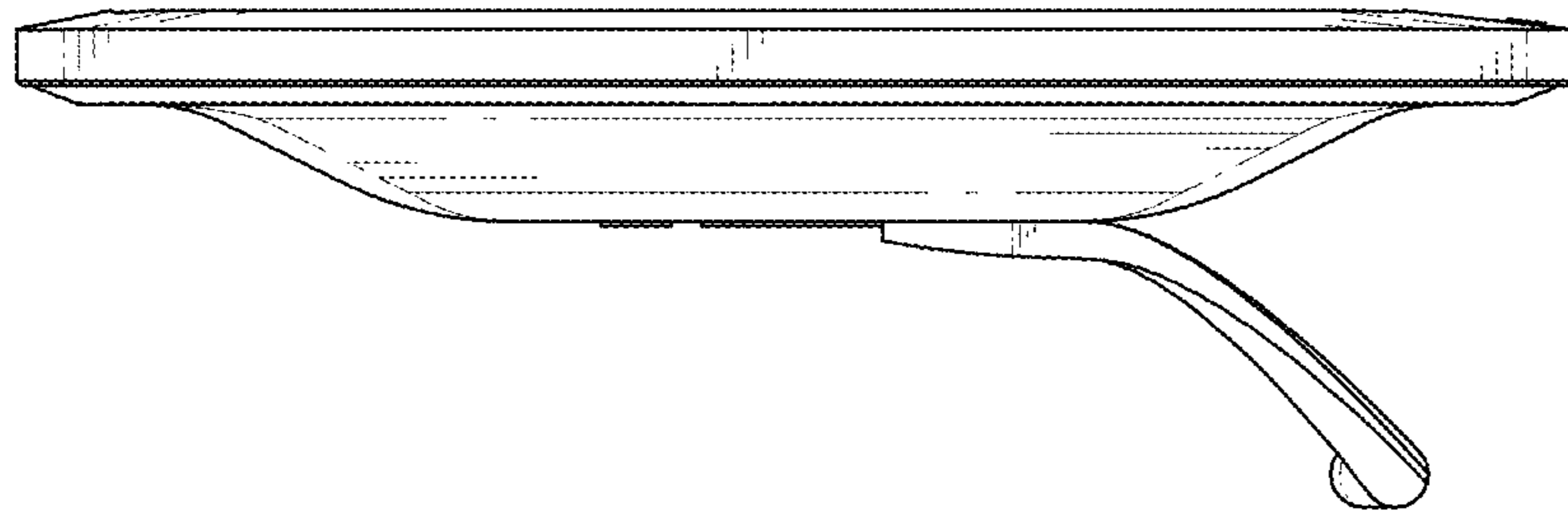


FIG. 5

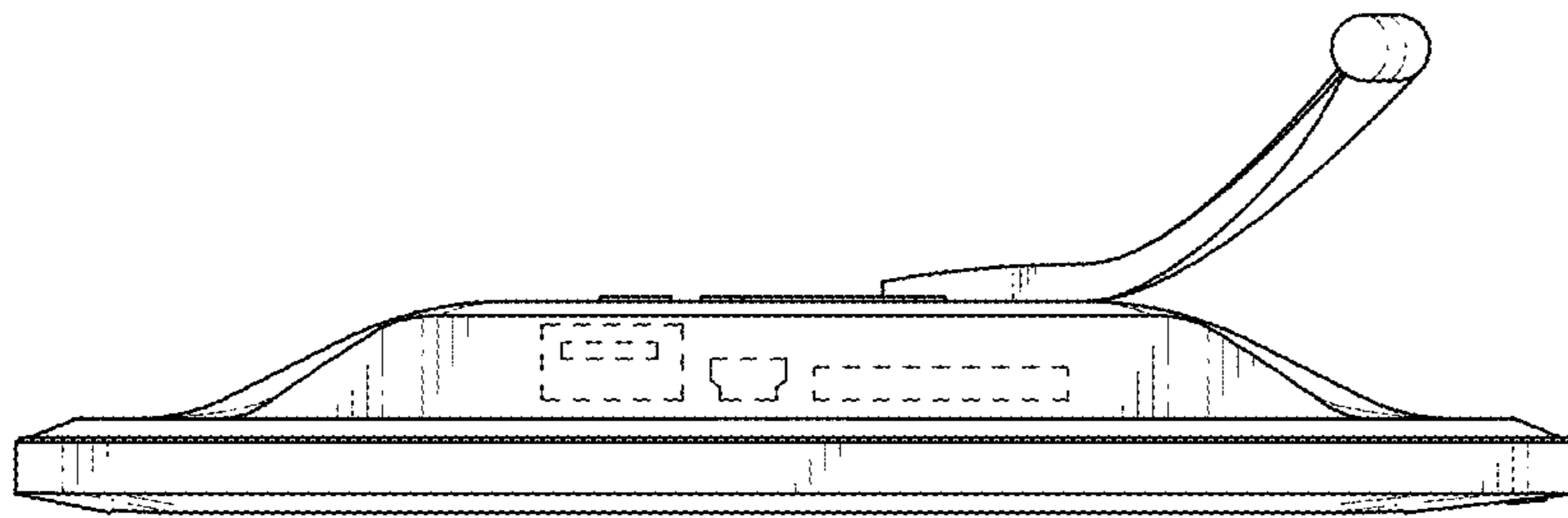


FIG. 6

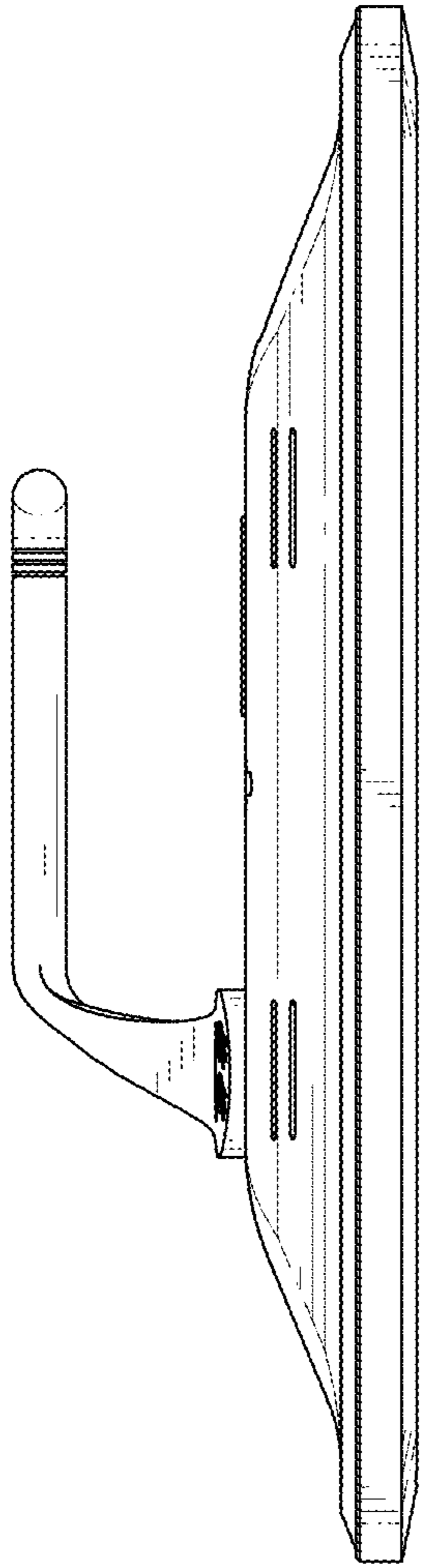


FIG. 7

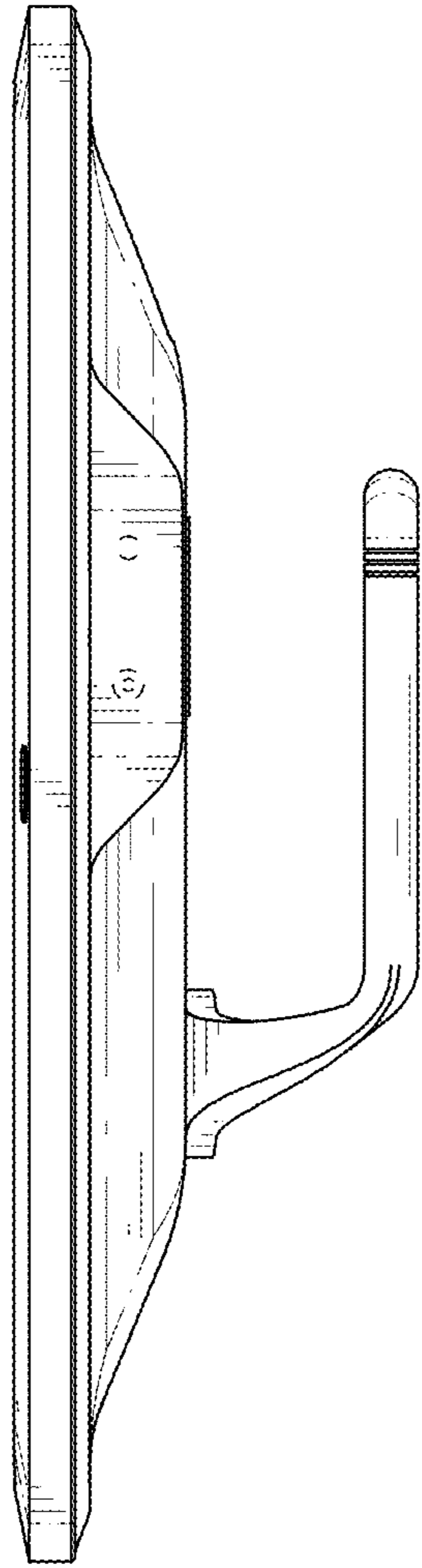


FIG. 8

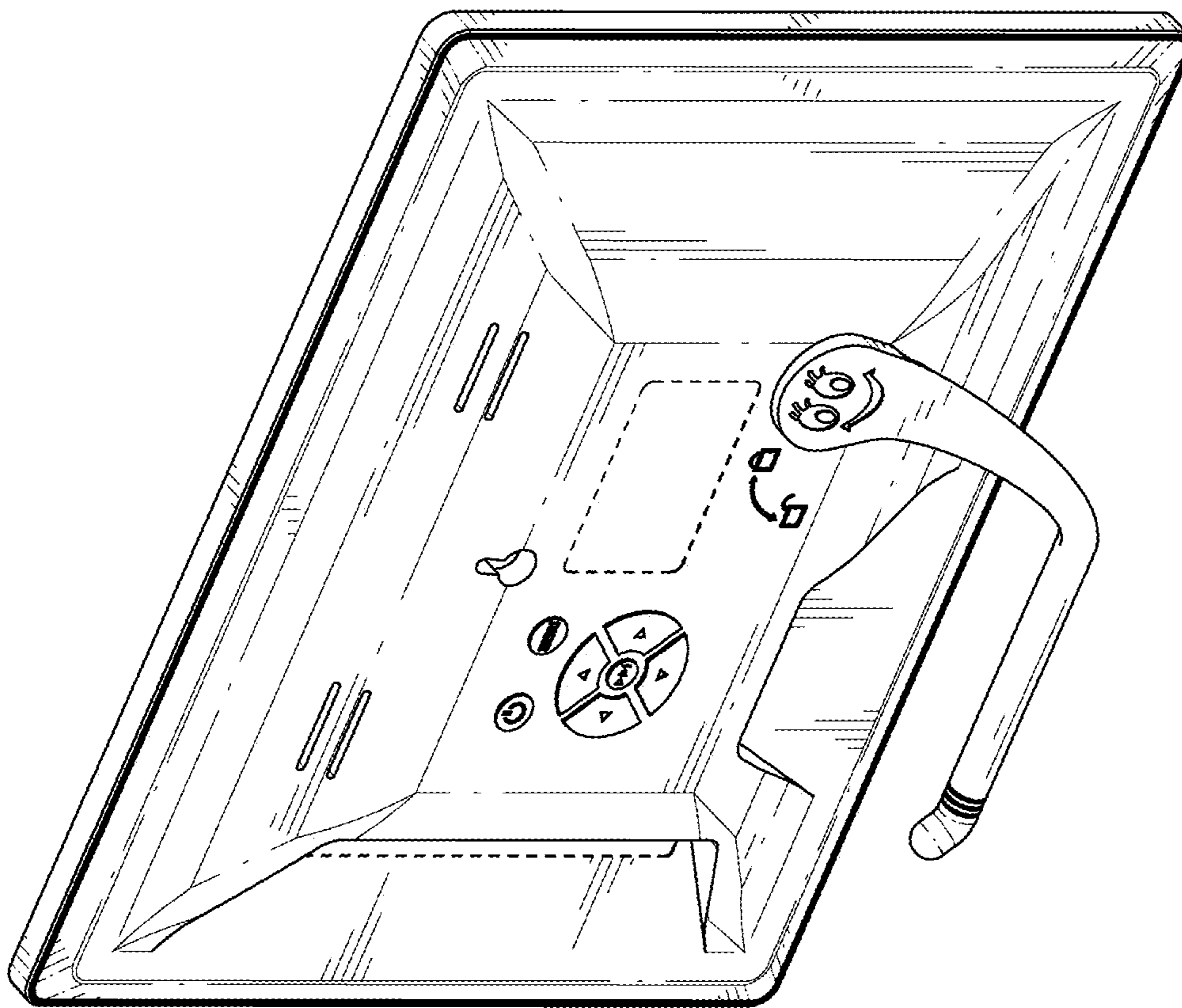


FIG. 9