



US00D893195S

(12) **United States Design Patent** (10) **Patent No.:** **US D893,195 S**
Li (45) **Date of Patent:** **** Aug. 18, 2020**

(54) **BEARD STRAIGHTENER**
(71) Applicant: **Jianfang Li**, Shenzhen (CN)
(72) Inventor: **Jianfang Li**, Shenzhen (CN)
(**) Term: **15 Years**

D764,807 S * 8/2016 Waitesmith D4/132
D816,346 S * 5/2018 Zhou D4/100
D821,649 S 6/2018 Qin
D821,754 S 7/2018 Huang
D825,929 S * 8/2018 Julemont D4/100
D826,567 S 8/2018 Yan et al.
D859,851 S * 9/2019 Park D4/136

(21) Appl. No.: **29/719,343**
(22) Filed: **Jan. 3, 2020**
(51) **LOC (12) Cl.** **28-03**
(52) **U.S. Cl.**
USPC **D4/100; D28/35**
(58) **Field of Classification Search**
USPC D4/100, 116, 117, 121, 130, 132, 134,
D4/136, 138, 199; D28/24, 25, 26, 35,
D28/13, 15
CPC A45D 2/00; A45D 7/02; A45D 2002/003;
A45D 2/001; A45D 20/48; A45D 20/50;
A45D 20/52; A45D 20/10; A46B 9/005;
A46B 9/023; A46B 9/028; A46B 9/02;
A46B 15/003; A46B 15/0059
See application file for complete search history.

FOREIGN PATENT DOCUMENTS

CN 305673920 * 3/2020

OTHER PUBLICATIONS

Averil Beard Straightener for Men . . . [on-line]. [Retrieved from the Internet Apr. 22, 2020.] URL: https://www.amazon.com/Straightener-Multifunctional-Electric-Straightening-110-240V/dp/B081CY32LQ/ref=psdc_11058131_t1_B07RXXR53CY (Year: 2020).*

(Continued)

Primary Examiner — Karen E Eldridge Powers
(74) *Attorney, Agent, or Firm* — HYIP

(57) **CLAIM**

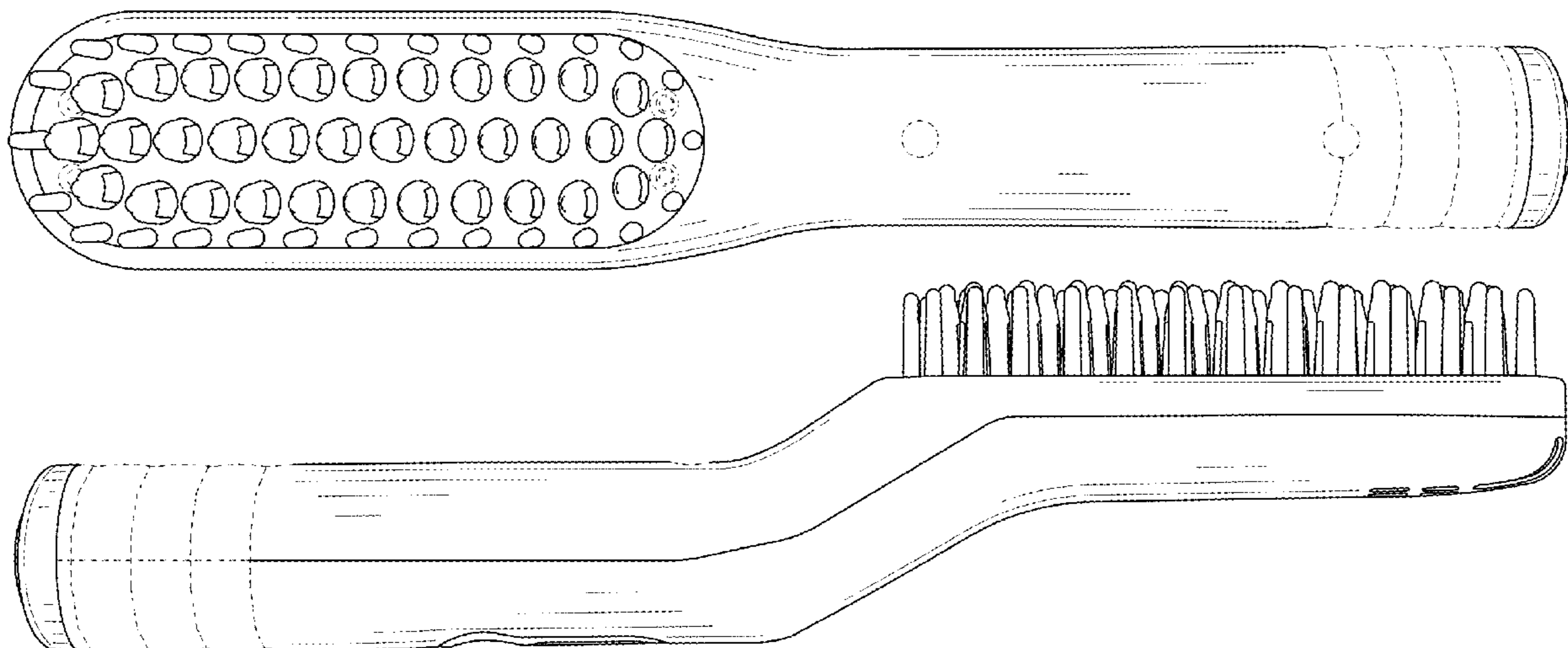
The ornamental design for a beard straightener, as shown and described.

DESCRIPTION

FIG. 1 is a perspective view of a beard straightener showing my new design;
FIG. 2 is a front elevation view thereof;
FIG. 3 is a rear elevation view thereof;
FIG. 4 is a left side elevation view thereof;
FIG. 5 is a right side elevation view thereof;
FIG. 6 is a top plan view thereof; and,
FIG. 7 is a bottom plan view thereof.
The broke lines in the drawings depict portions of the beard straightener that form no part of the claimed design.

1 Claim, 7 Drawing Sheets

(56) **References Cited**
U.S. PATENT DOCUMENTS
D309,529 S * 7/1990 Kim D28/25
D358,260 S * 5/1995 Chan D4/138
D372,336 S * 7/1996 Kip D28/18
D388,538 S * 12/1997 Kip D28/18
D401,381 S * 11/1998 Seifert D28/18
D404,522 S * 1/1999 Kip D28/18
D439,747 S * 4/2001 Harris D4/136
D452,044 S * 12/2001 Goetschi D28/20
D471,364 S * 3/2003 Kwong D4/120
7,650,893 B2 * 1/2010 De Laforcade A45D 19/02
132/218
D646,898 S * 10/2011 Raven D4/118



(56)

References Cited

OTHER PUBLICATIONS

Lorchar Beard Straightener . . . [on-line]. [Pictorial review by Marcus L dated Nov. 5, 2019.][Retrieved from Internet Apr. 22, 2019.] URL: <https://www.amazon.com/Lorchar-Straightener-Straightening-Electric-Styling/dp/B07XBK65YL>. (Year: 2019).*

Vimpro Multifunctional Electric Hot Comb and Beard Straightening Brush [on-line]. [Pictorial review dated Jul. 18, 2019.] [Retrieved from the Internet Apr. 22, 2020.] URL: <https://www.amazon.com/Straightener-Vimpro-Multifunctional-Electric-Straightening/dp/B07RXXR53CY> (Year: 2019).*

Xikezan Beard Straightener . . . [on-line]. [Earliest date for pictorial review Jan. 27, 2020.] [Retrieved from the Internet Apr. 24, 2020.] URL: <https://www.amazon.com/Straightener-UPGRADED-Straightening-Stocking-Stuffers/dp/B083LHZJS2> (Year: 2020).*

* cited by examiner

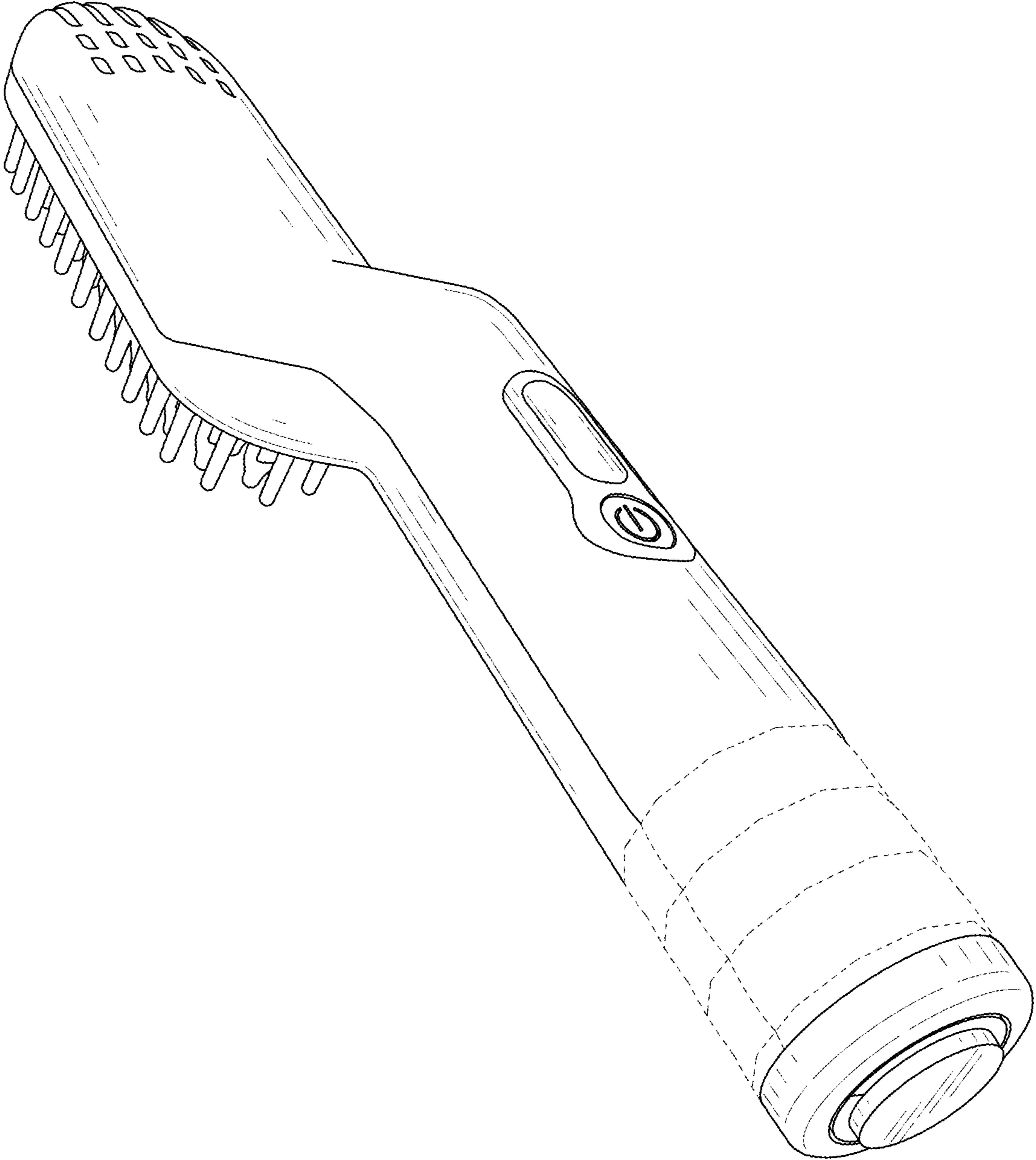


FIG. 1

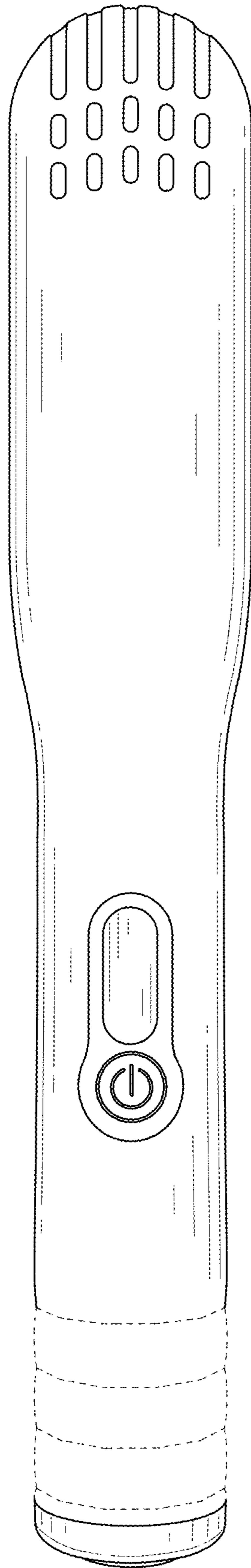


FIG. 2

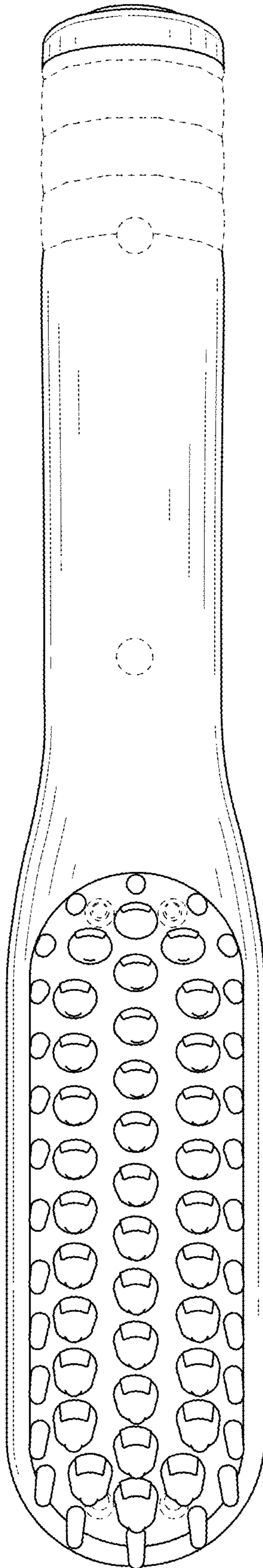


FIG. 3

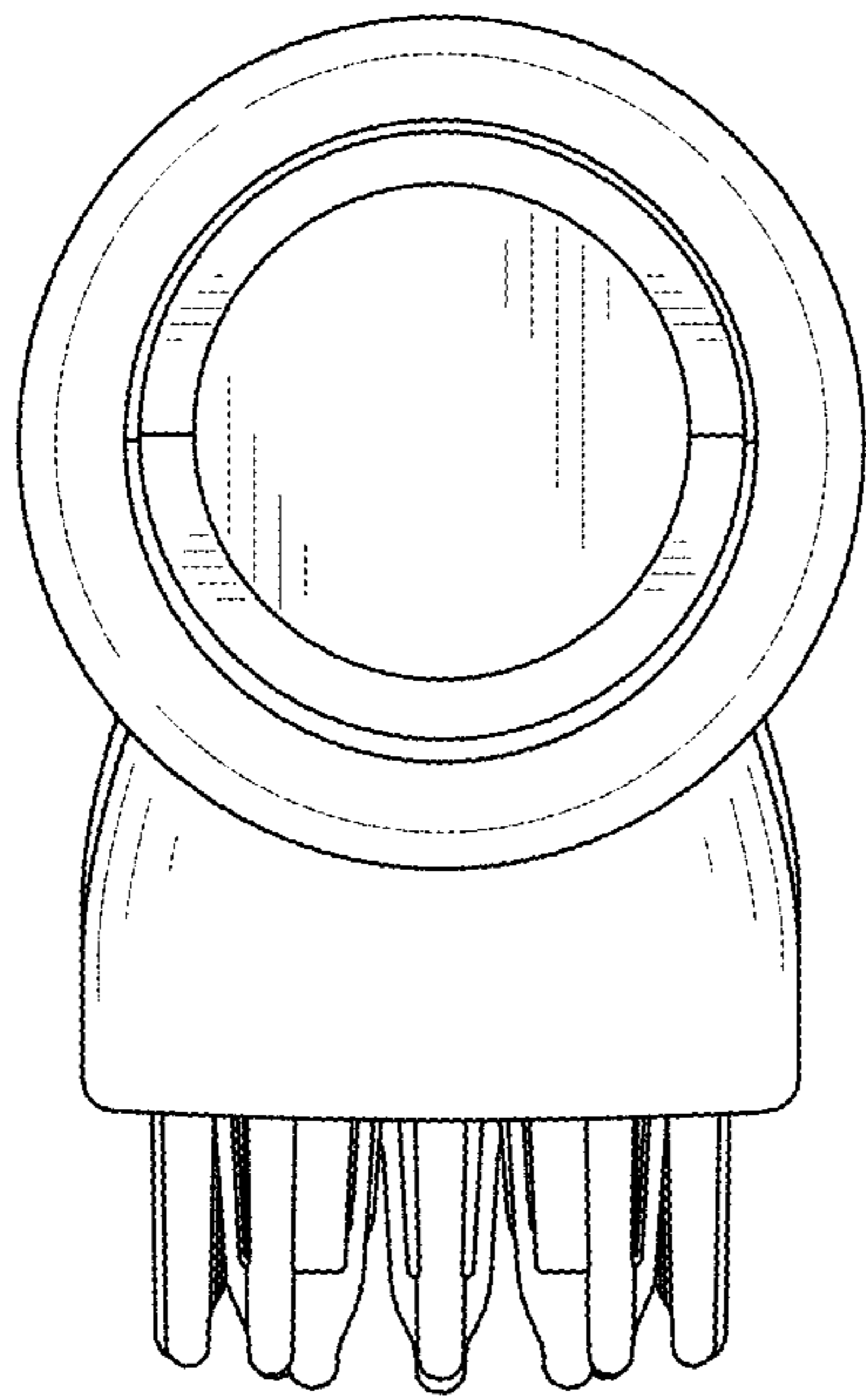


FIG. 4

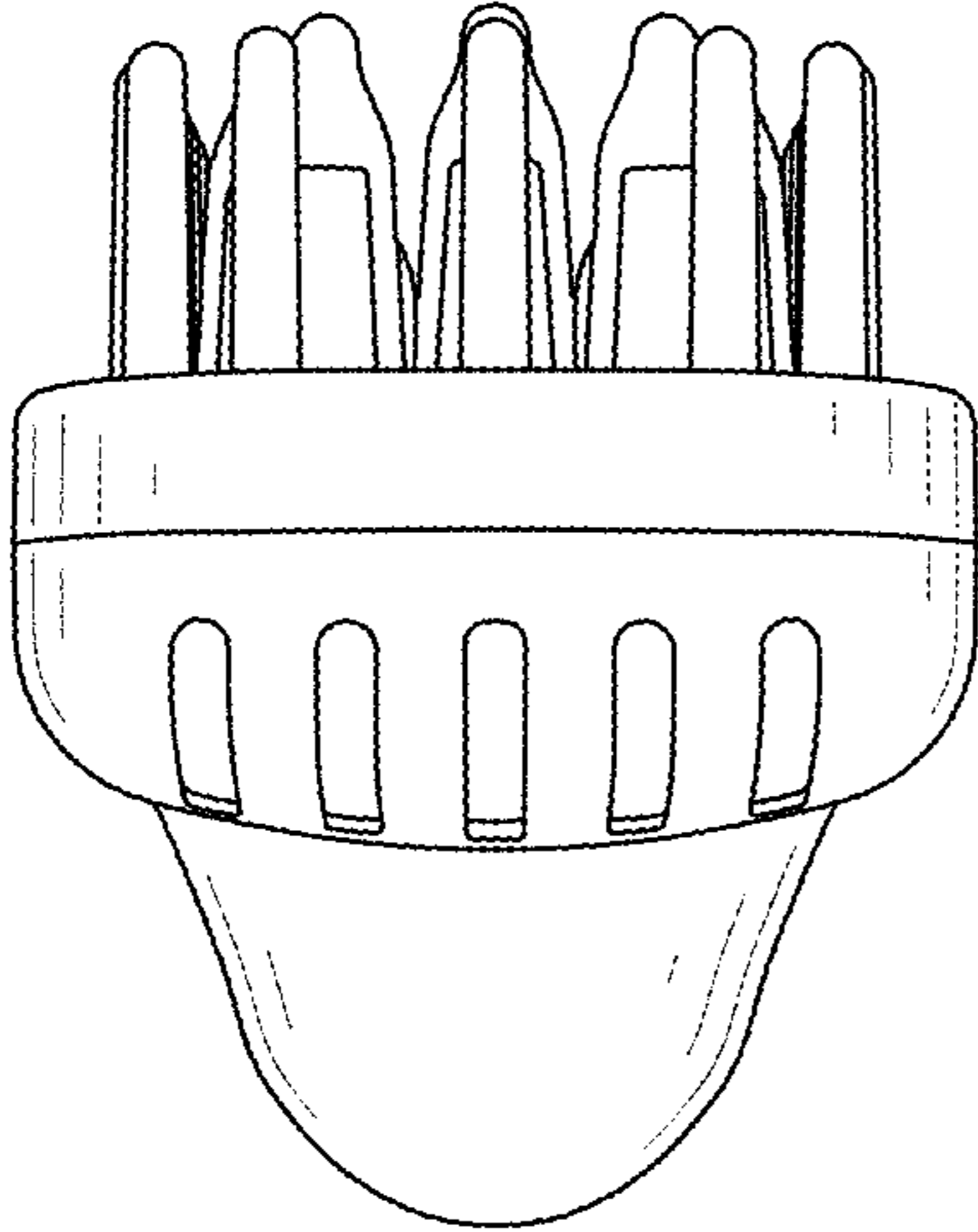


FIG. 5

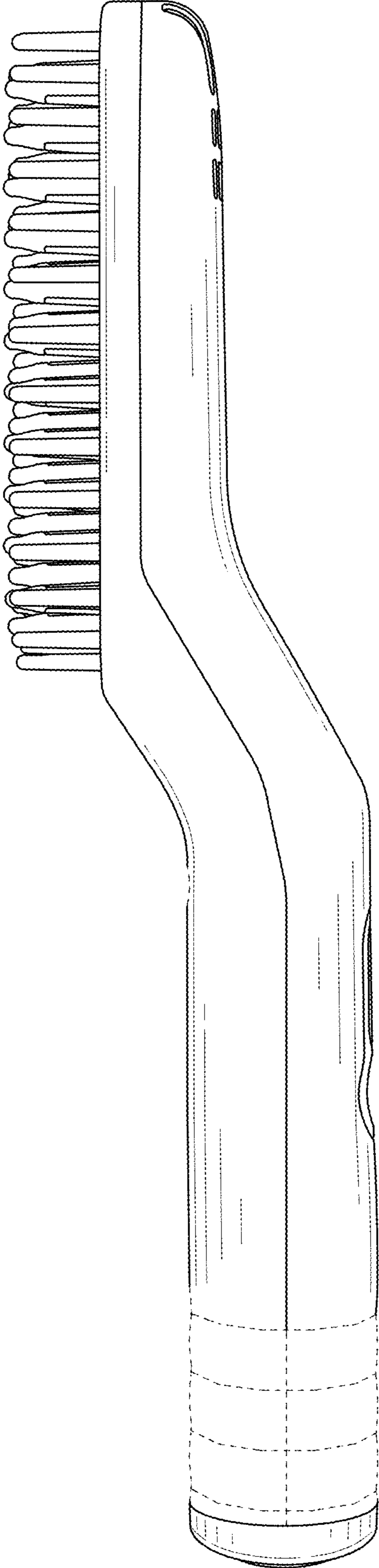


FIG. 6

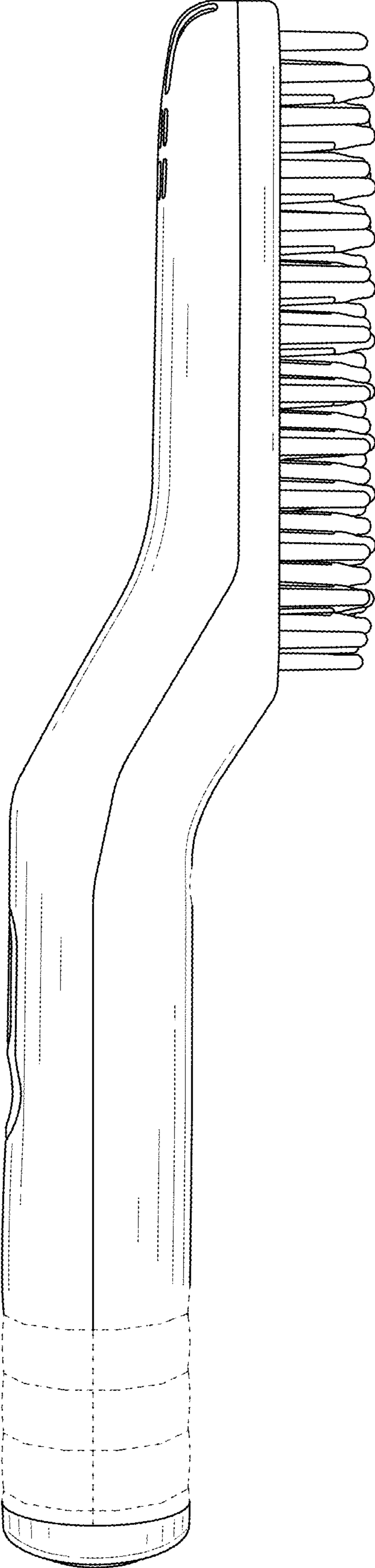


FIG. 7