



US00D893194S

(12) **United States Design Patent** (10) **Patent No.:** **US D893,194 S**
Maor et al. (45) **Date of Patent:** **** Aug. 18, 2020**

(54) **LICE COMB**

OTHER PUBLICATIONS

(71) Applicants: **Moshe Maor**, Welshpool (AU);
Edward Joseph Khoury, Bateman (AU)

Lice Zapper, announced 2017 [online], [site visited Apr. 6, 2020]. Available from internet, URL: https://medicalproductssupply.com/veridian-electronic-lice-comb.html?gclid=EA1alQobCh-MI7v3M9JvF6AIVEYnICh0dDQdPEAkYAyABEgLMoVD_BwE (Year: 2017).*

(72) Inventors: **Moshe Maor**, Welshpool (AU);
Edward Joseph Khoury, Bateman (AU)

Lice Comb, announced 2017 [online], [site visited Apr. 6, 2020]. Available from internet, URL: https://www.bestbuy.com/site/epilady-lice-zapper-white/4991406.p?skuId=4991406&ref=212&loc=1&ref=212&loc=1&ds_rl=1260582&gclid=EA1alQobChMlyu_C9djU6AIVTV8NCh2gugo4EAQYAiABEgInHPD_BwE&gclid=aw.ds (Year: 2017).*

(**) Term: **15 Years**

* cited by examiner

(21) Appl. No.: **29/673,373**

(22) Filed: **Dec. 13, 2018**

Primary Examiner — George A Bugg
Assistant Examiner — Tamara L Hahn

(51) **LOC (12) Cl.** **04-02**

(52) **U.S. Cl.**
USPC **D4/100; D24/133**

(74) *Attorney, Agent, or Firm* — Tope-McKay & Associates

(58) **Field of Classification Search**
USPC D4/100, 127–138; D28/7, 20–34;
D24/133; D32/49; D30/158, 159

CPC A45D 24/00; A45D 24/10; A45D 24/30;
A45D 24/32; A45D 20/48; A45D 2/001;
A01K 13/00; A01K 13/002; A46B 9/02;
A46B 9/06; A46B 9/023; A46B 5/00;
A46B 5/002; A46B 5/005; A46B 5/026;
A46B 5/021; A46B 7/00; A46B 13/00;
A46B 13/08; A46B 13/02; A46B
2200/10; A46B 2200/1046; A46B
2200/30; A46B 2200/1026; A46D 1/00;
A46D 1/0253; A46D 1/0284; A47K 7/00;
A47K 7/02; A47K 7/022; A47K 7/026;
A47K 7/04; A47K 7/043

See application file for complete search history.

(57) **CLAIM**

The ornamental design for a lice comb, as shown and described.

DESCRIPTION

FIG. 1 is a front top perspective view of a lice comb with the teeth in the closed position in accordance with the new design;

FIG. 2 is a front bottom perspective view thereof;

FIG. 3 is a top elevation view thereof;

FIG. 4 is a bottom elevation view thereof;

FIG. 5 is a left side elevation view thereof;

FIG. 6 is a right side elevation view thereof;

FIG. 7 is a front elevation view thereof;

FIG. 8 is a rear elevation view thereof;

FIG. 9 is a front top perspective view of a lice comb with the teeth in the extended position in accordance with the new design;

FIG. 10 is a front bottom perspective view thereof;

FIG. 11 is a left side elevation view thereof; and,

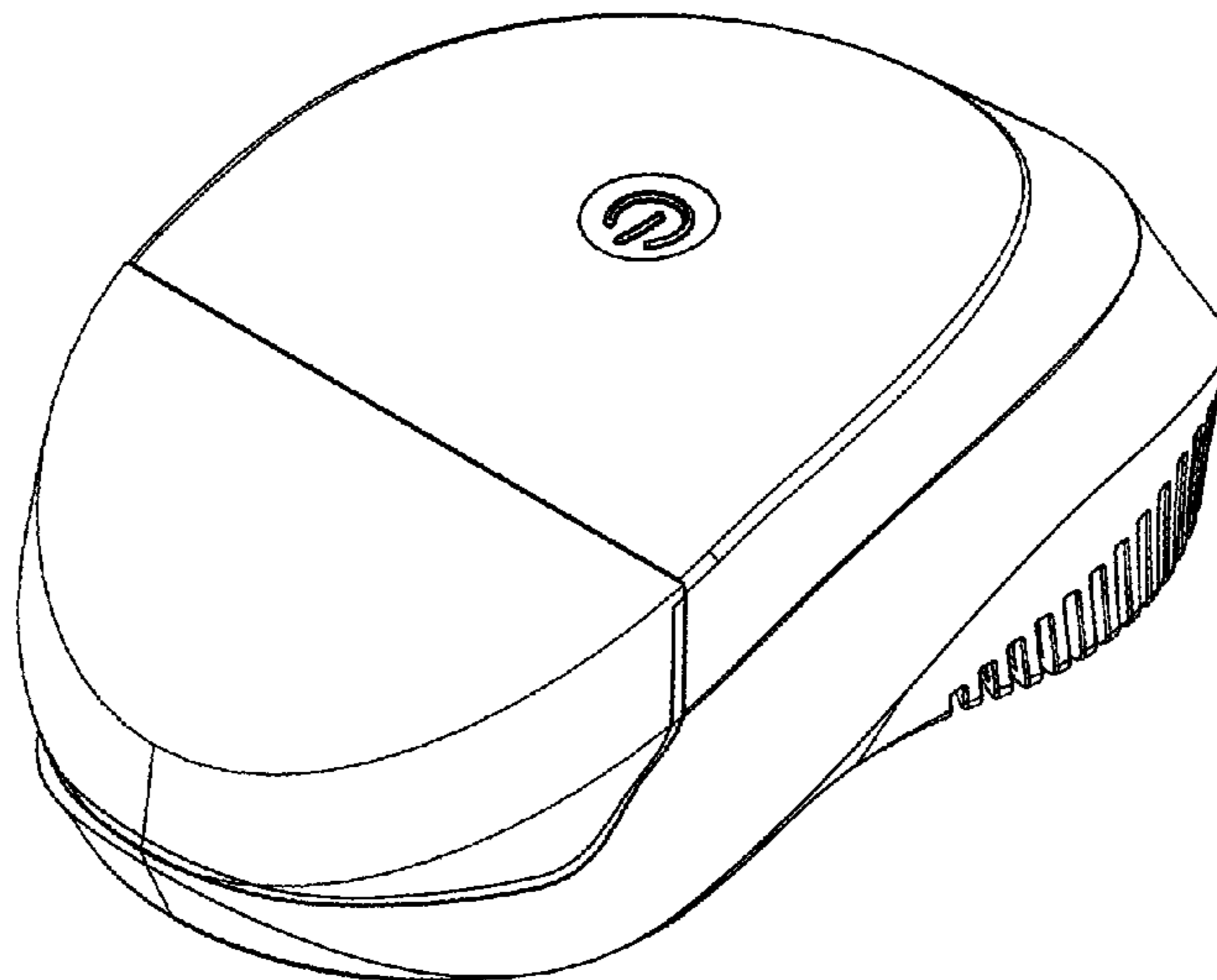
FIG. 12 is a front elevation view thereof.

(56) **References Cited**

U.S. PATENT DOCUMENTS

D539,917 S * 4/2007 Park D24/215
D838,112 S * 1/2019 Yi D4/120
2016/0135582 A1 * 5/2016 Yen A47K 7/04
15/22.1

1 Claim, 12 Drawing Sheets



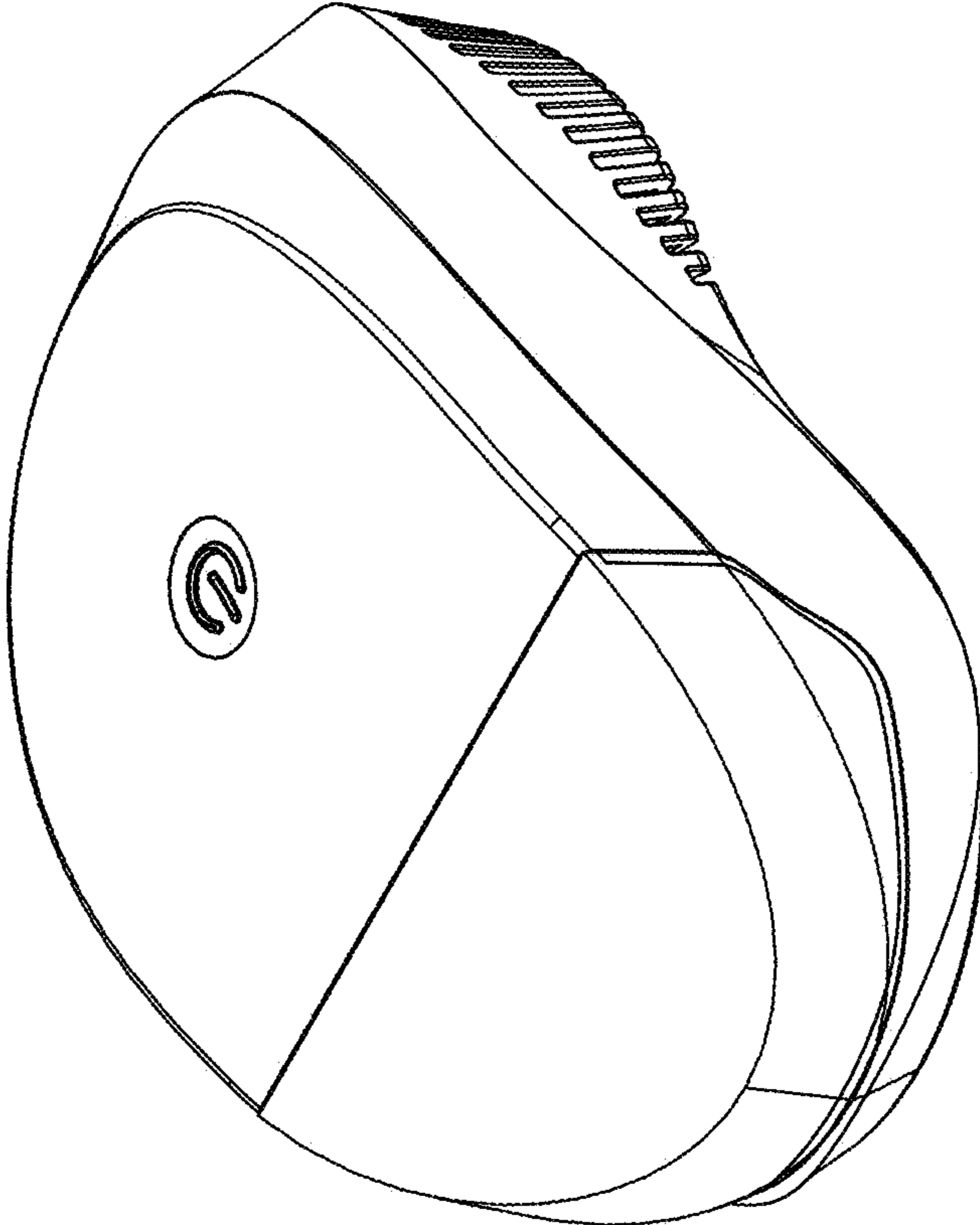


Fig.1

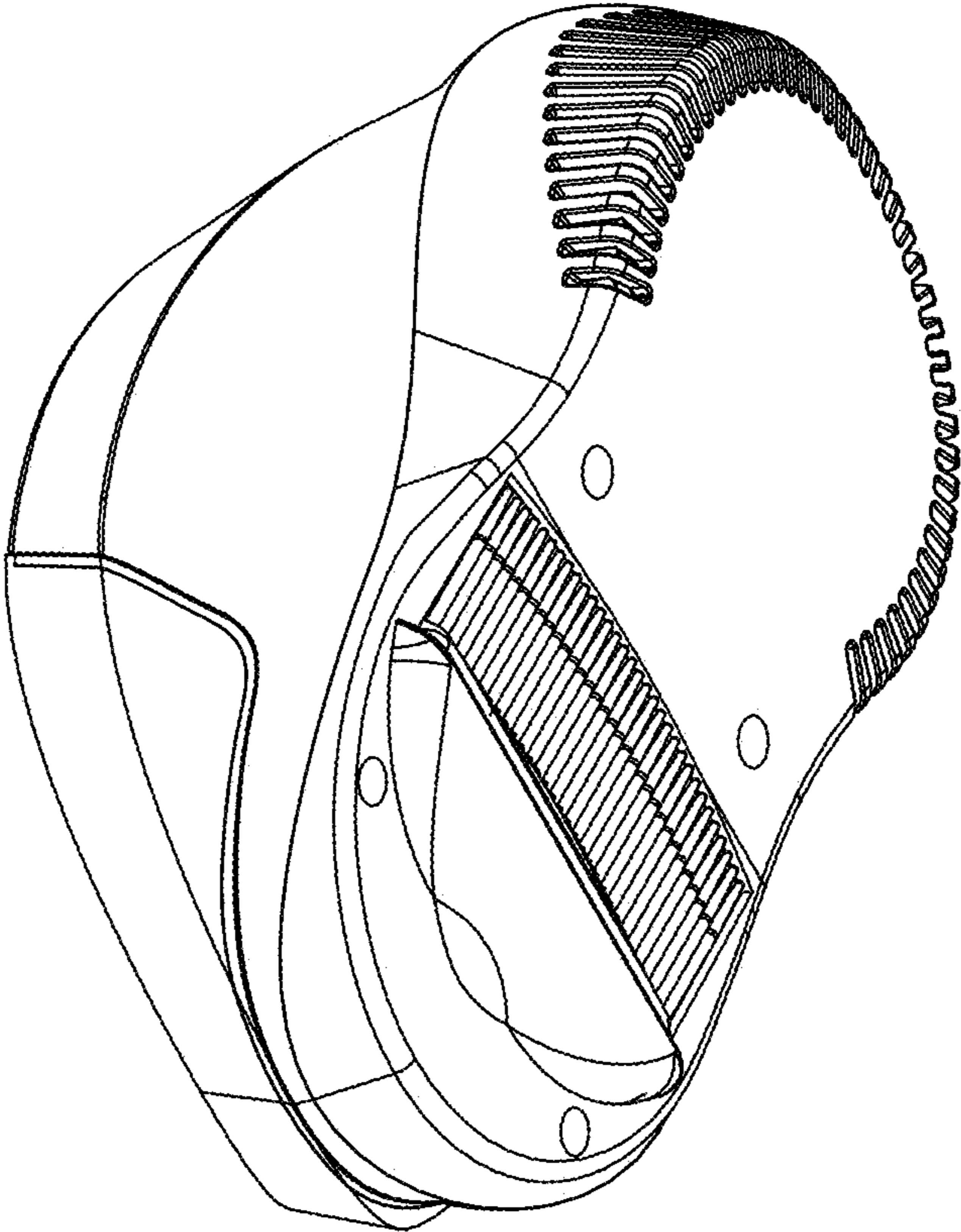


Fig.2

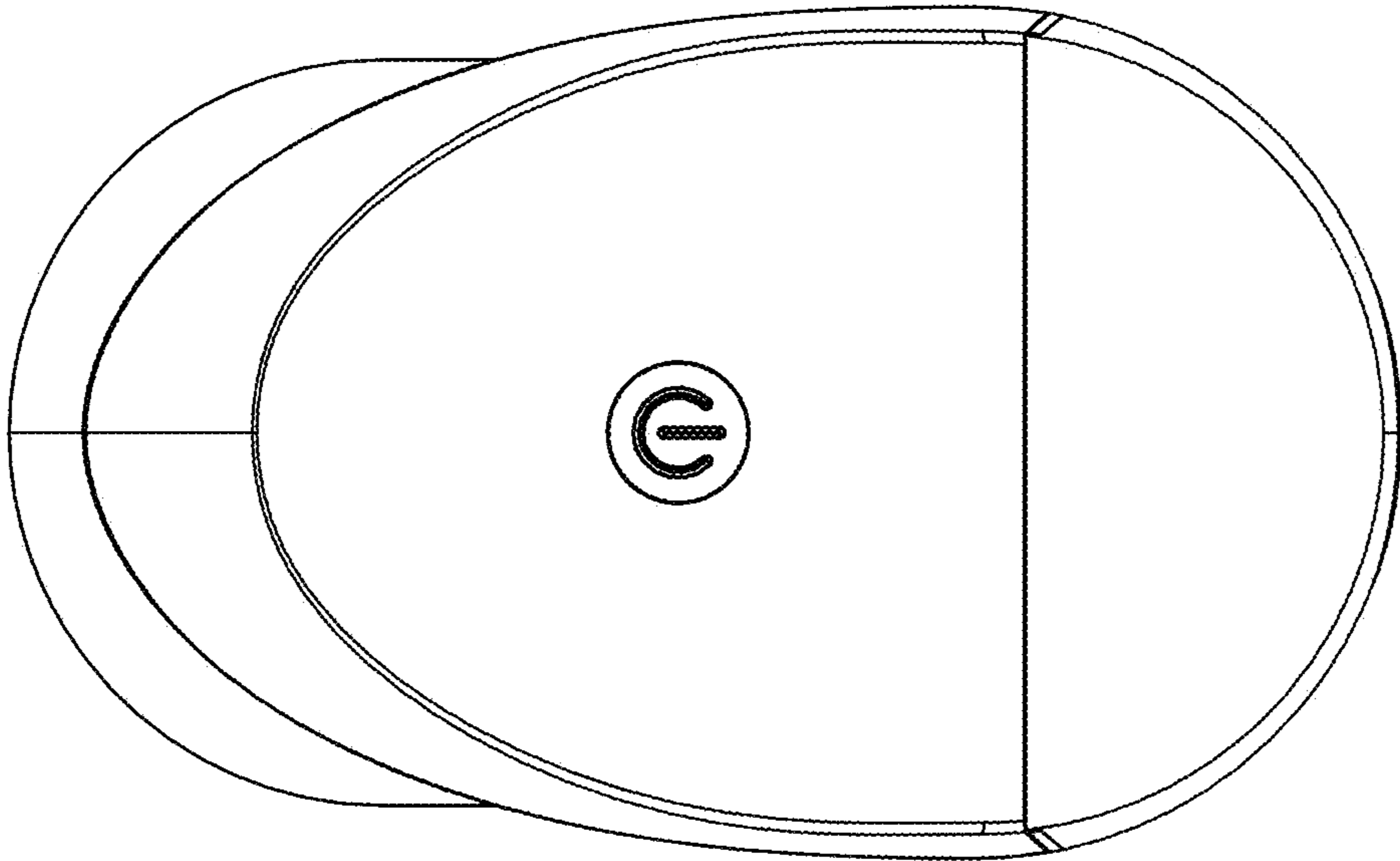


Fig.3

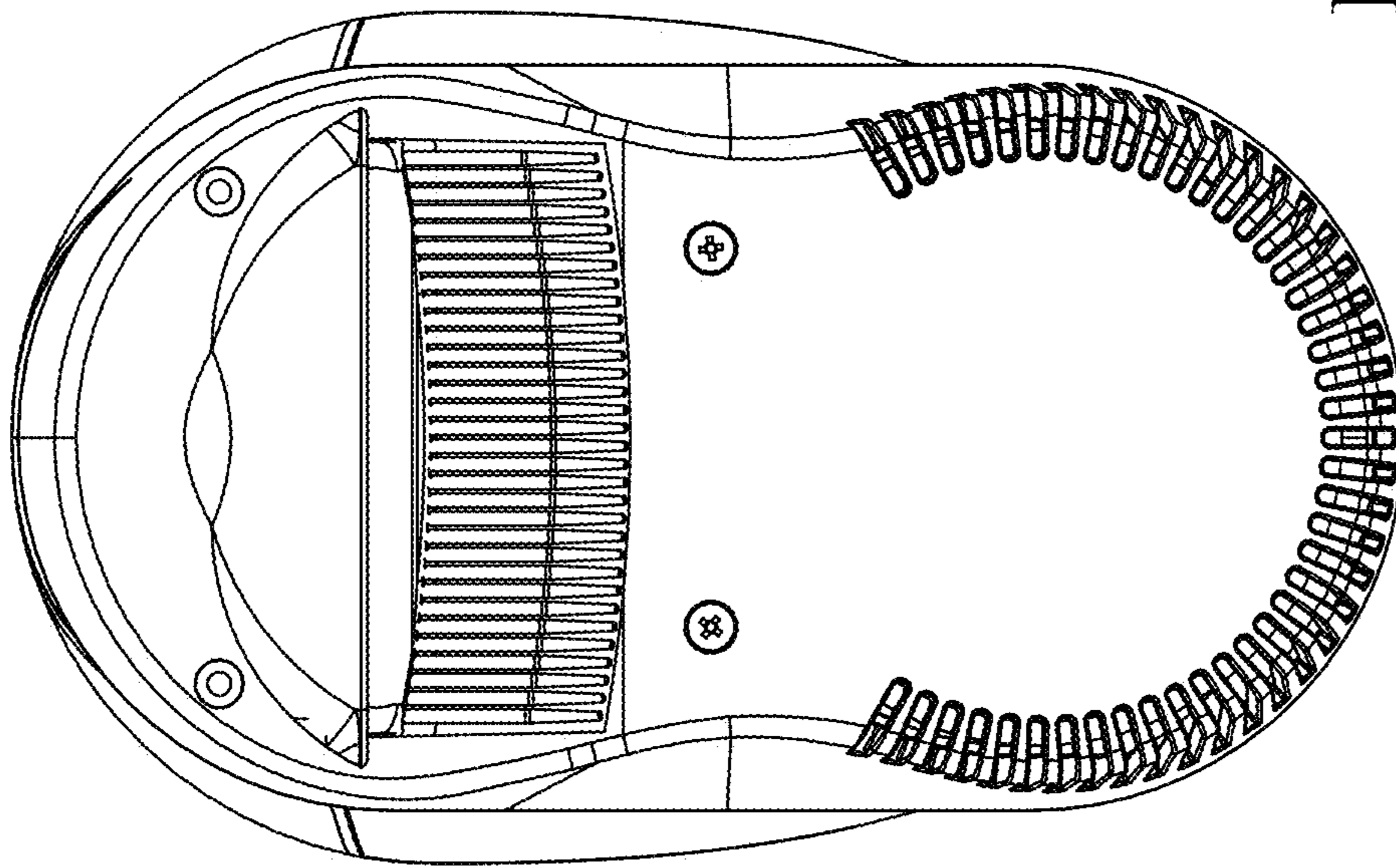


Fig.4

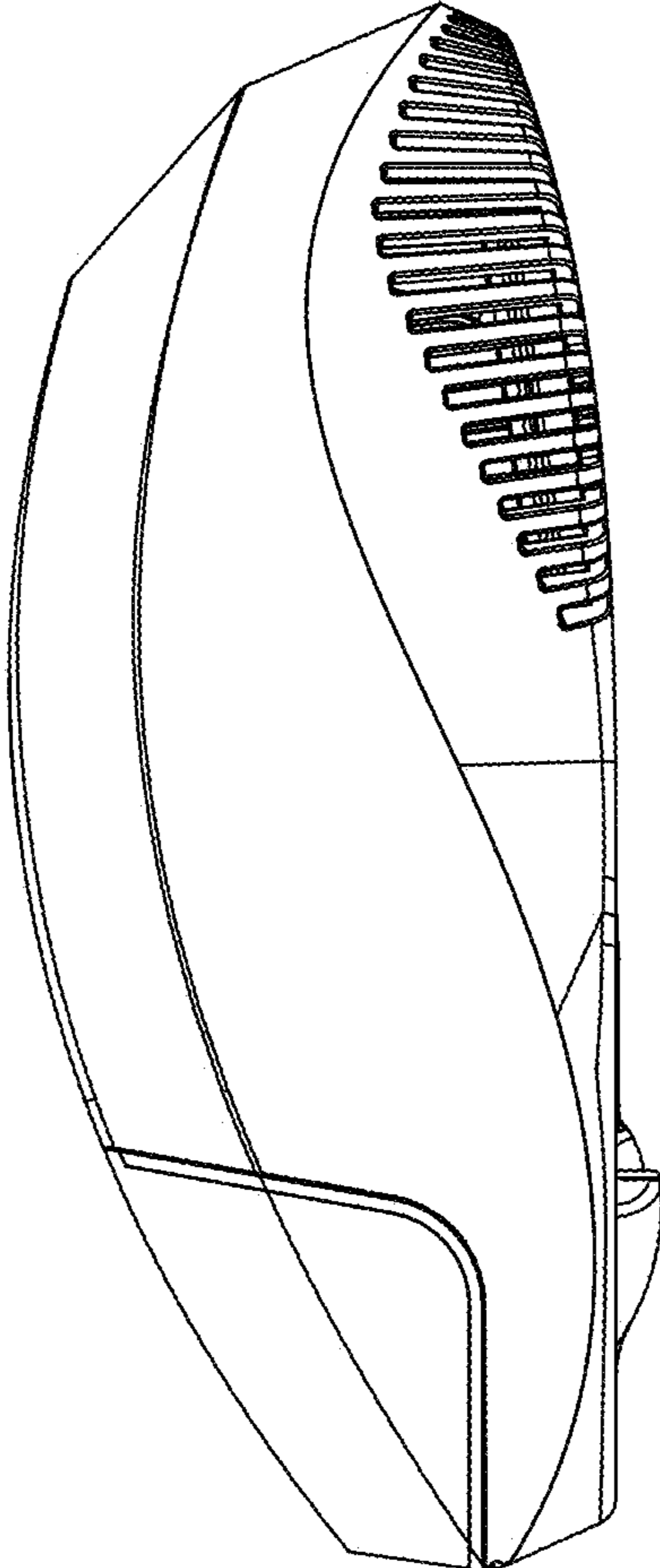


Fig.5

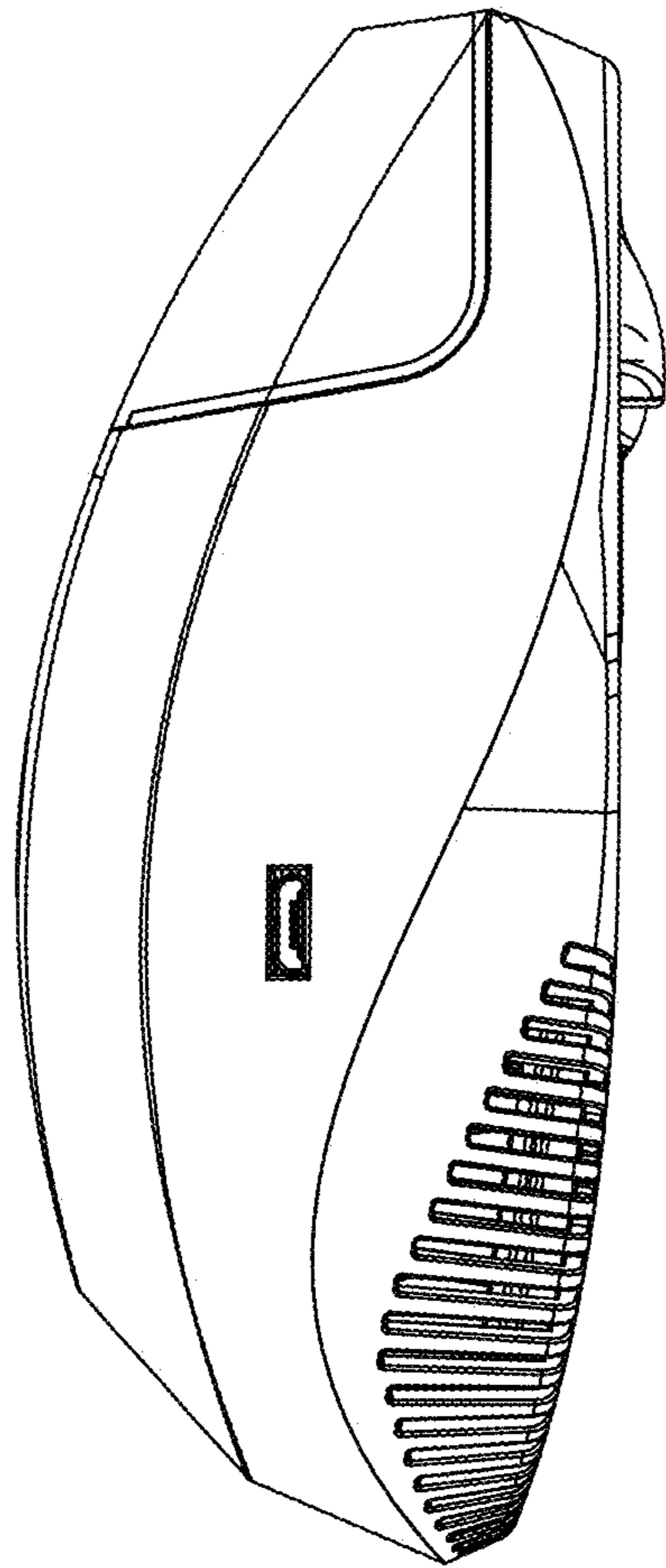


Fig.6

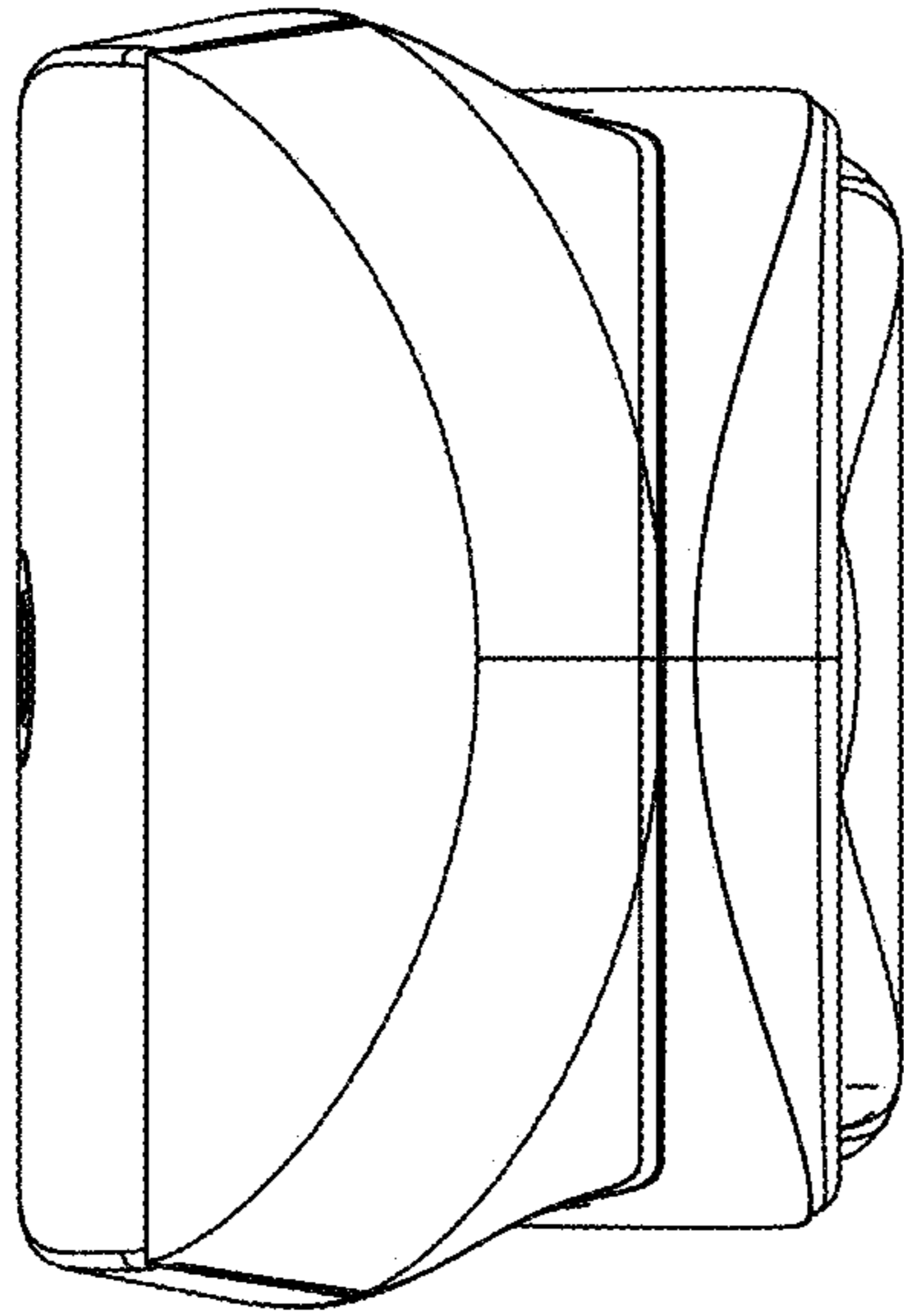


Fig.7

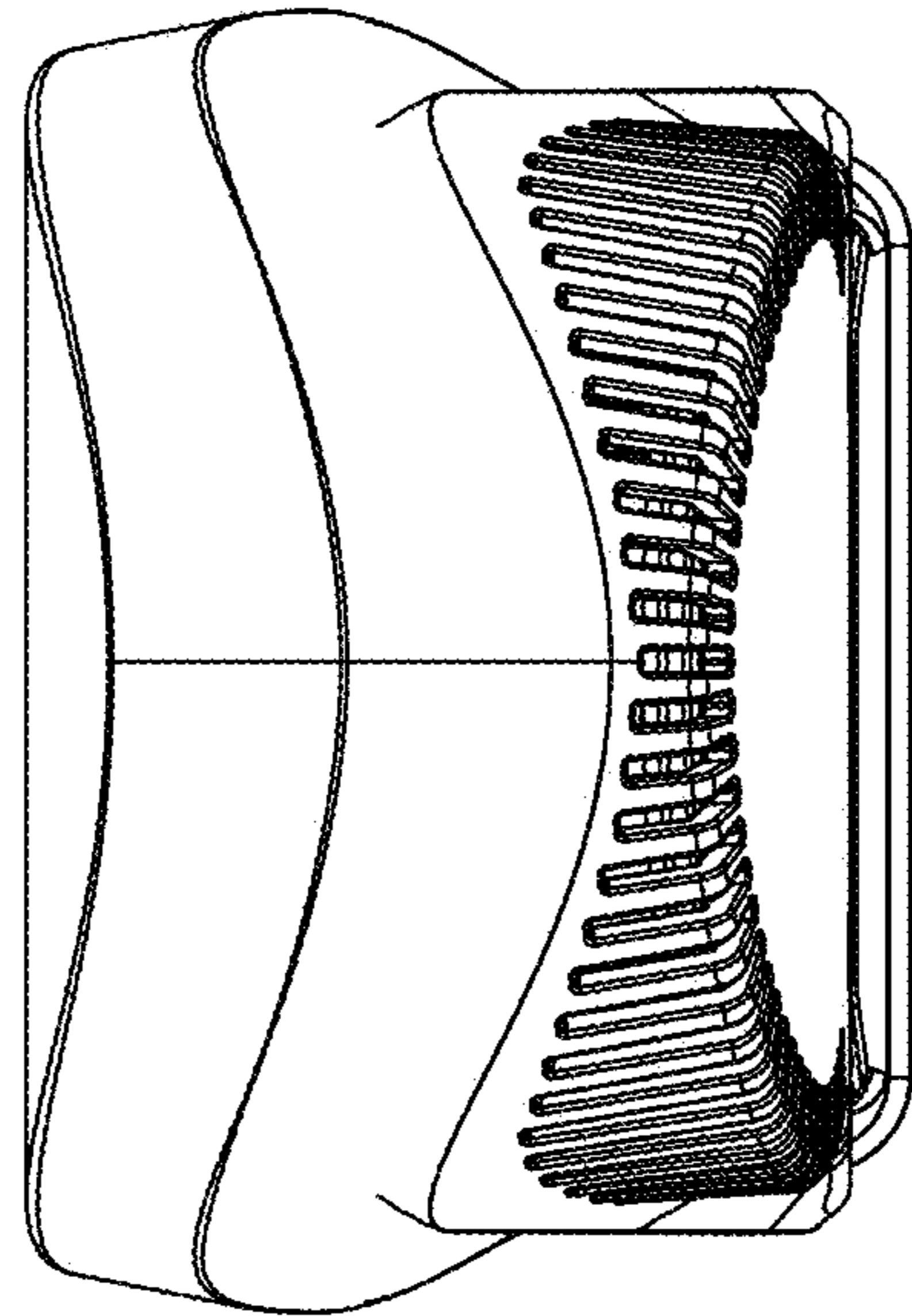


Fig. 8

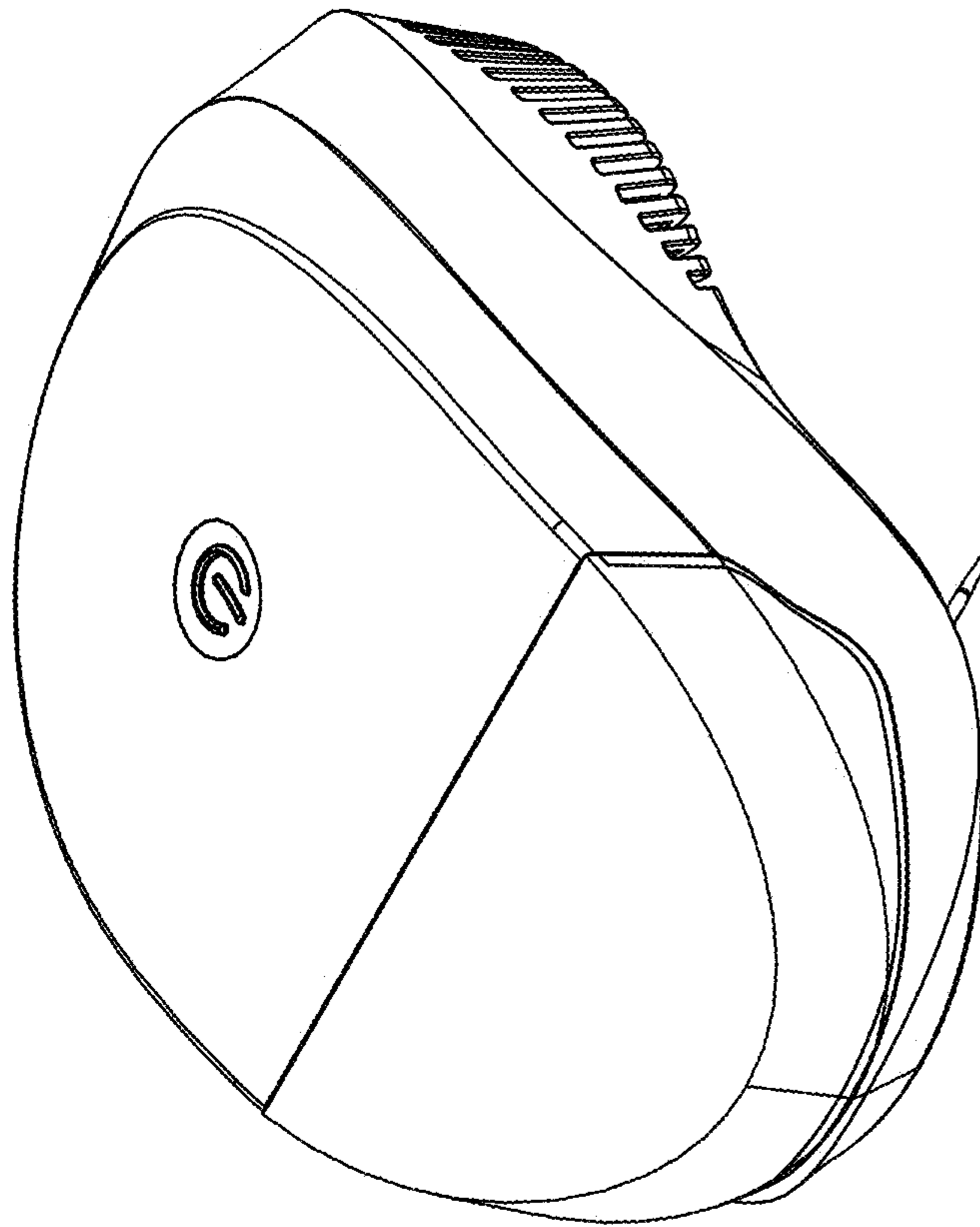


Fig. 9

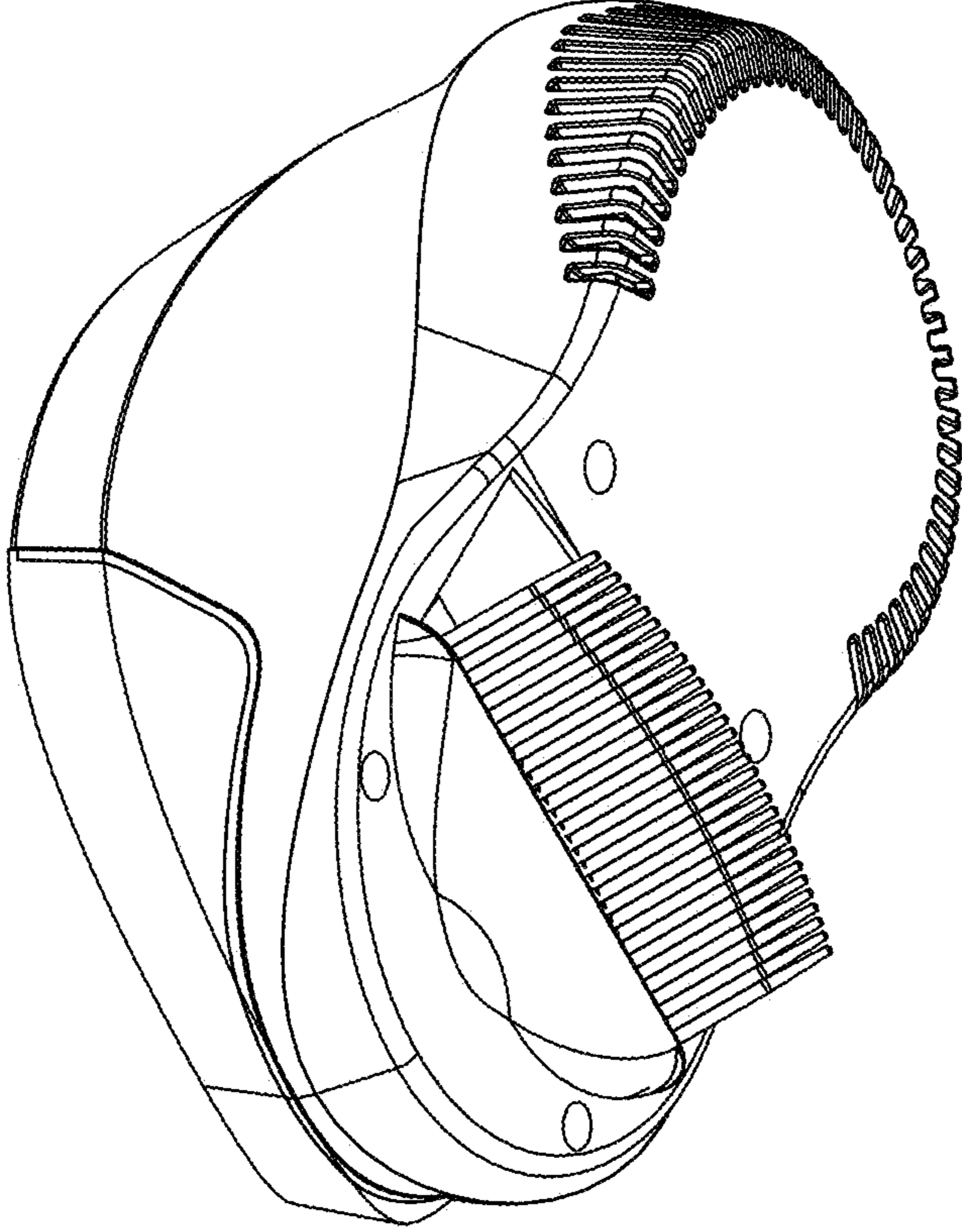


Fig.10

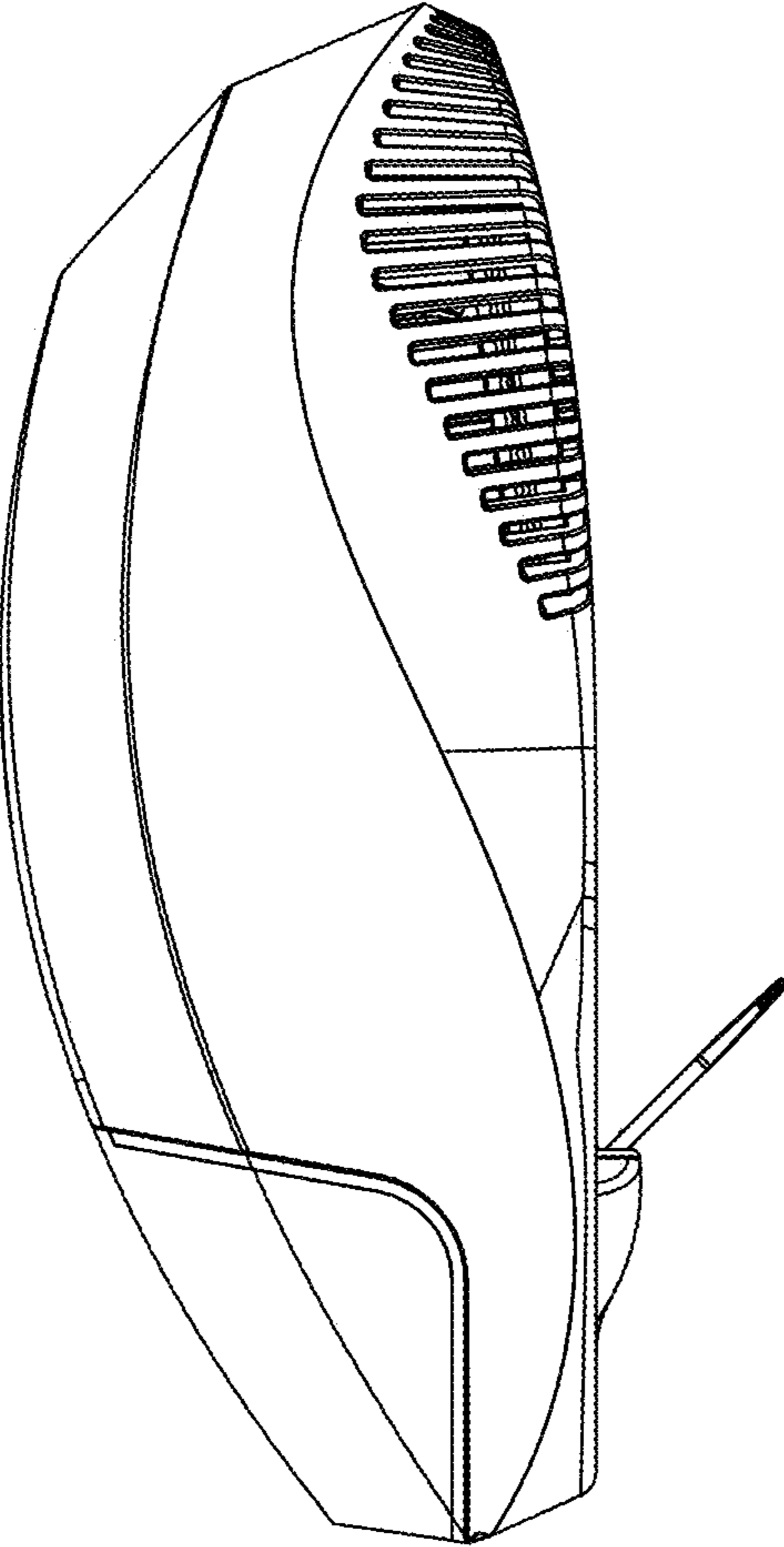


Fig. 11

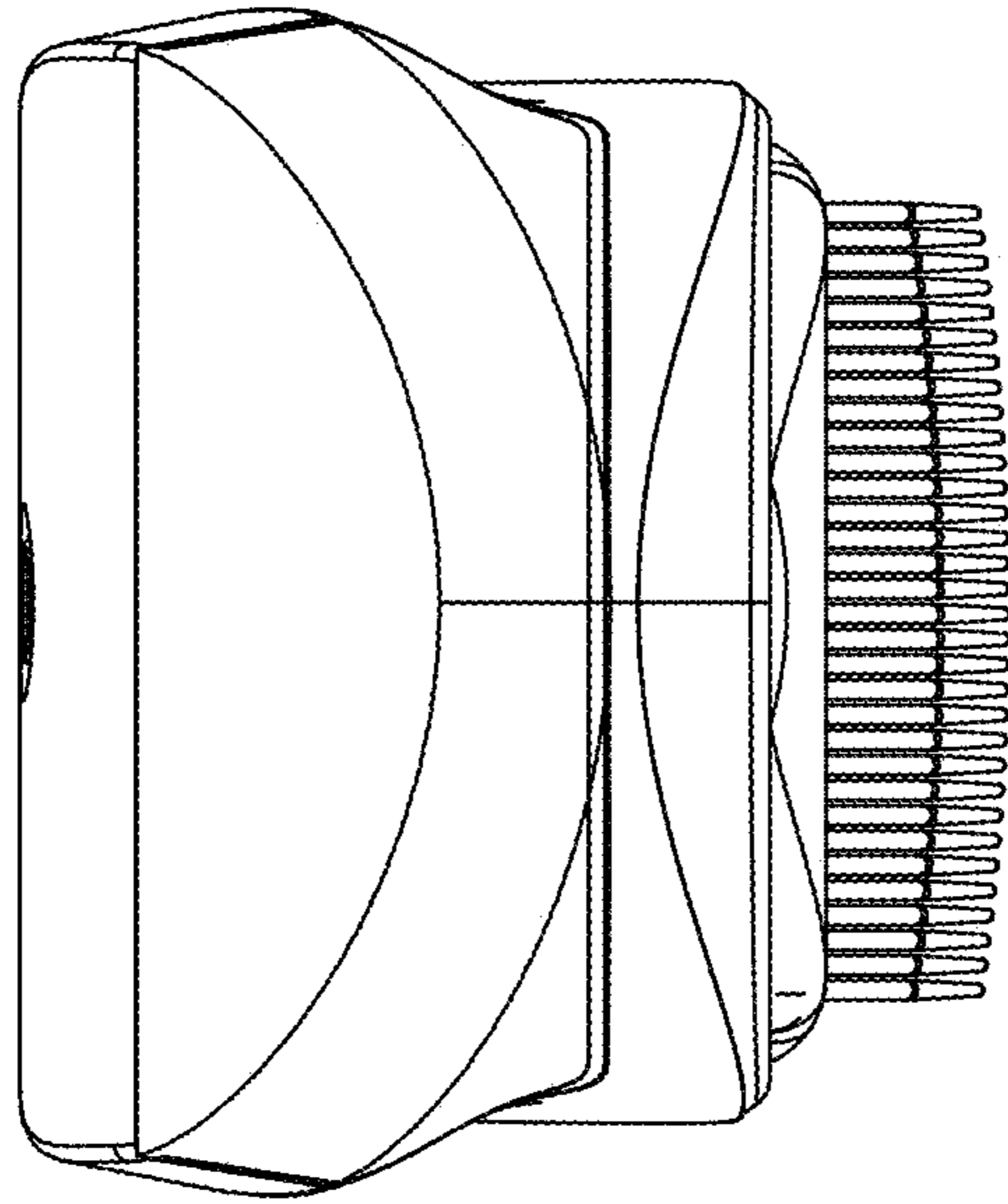


Fig.12