



US00D893193S

(12) **United States Design Patent**
Zhu

(10) **Patent No.:** **US D893,193 S**

(45) **Date of Patent:** **** Aug. 18, 2020**

(54) **PURSE ORGANIZER**

D732,294 S * 6/2015 Hu D3/319
D734,026 S * 7/2015 Givens D3/233

(71) Applicant: **SHENZHEN YIYAJU TRADING CO., LTD.**, Shenzhen (CN)

* cited by examiner

(72) Inventor: **Xiufeng Zhu**, Shenzhen (CN)

Primary Examiner — Holly H Baynham

(73) Assignee: **SHENZHEN YIYAJU TRADING CO., LTD.**, Shenzhen (CN)

(74) *Attorney, Agent, or Firm* — Law Offices of Steven W. Weinrieb

(**) Term: **15 Years**

(57) **CLAIM**

(21) Appl. No.: **29/686,337**

The ornamental design for a purse organizer, as shown and described.

(22) Filed: **Apr. 3, 2019**

DESCRIPTION

(51) **LOC (12) Cl.** **03-01**

(52) **U.S. Cl.**
USPC **D3/319**

(58) **Field of Classification Search**
USPC D3/319
CPC A45C 15/06

See application file for complete search history.

FIG. 1 is a front, right side, top perspective view of a purse organizer showing my new design;
FIG. 2 is a rear, right side, top perspective view thereof;
FIG. 3 is a front elevational view thereof;
FIG. 4 is a rear elevational view thereof;
FIG. 5 is a left side elevational view thereof;
FIG. 6 is a right side elevational view thereof;
FIG. 7 is a top plan view thereof; and,
FIG. 8 is a bottom plan view thereof.

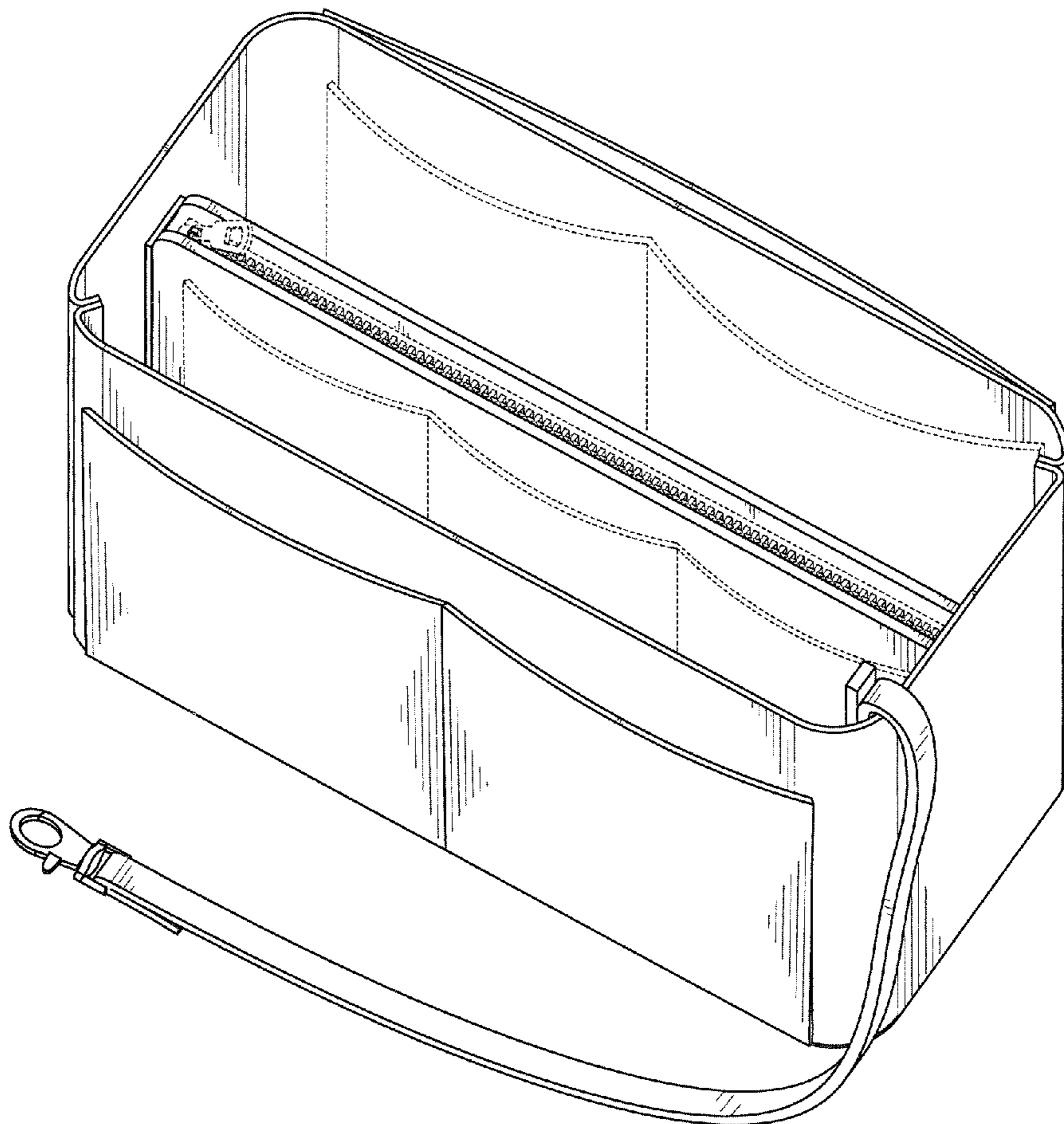
The broken lines are for the purposes of illustrating the zipper and pockets for the purse organizer and form no part of the claimed design.

(56) **References Cited**

U.S. PATENT DOCUMENTS

6,491,074 B1 * 12/2002 Roegner A45C 1/06
150/112
8,944,628 B2 * 2/2015 Melamed A45C 3/08
362/156

1 Claim, 8 Drawing Sheets



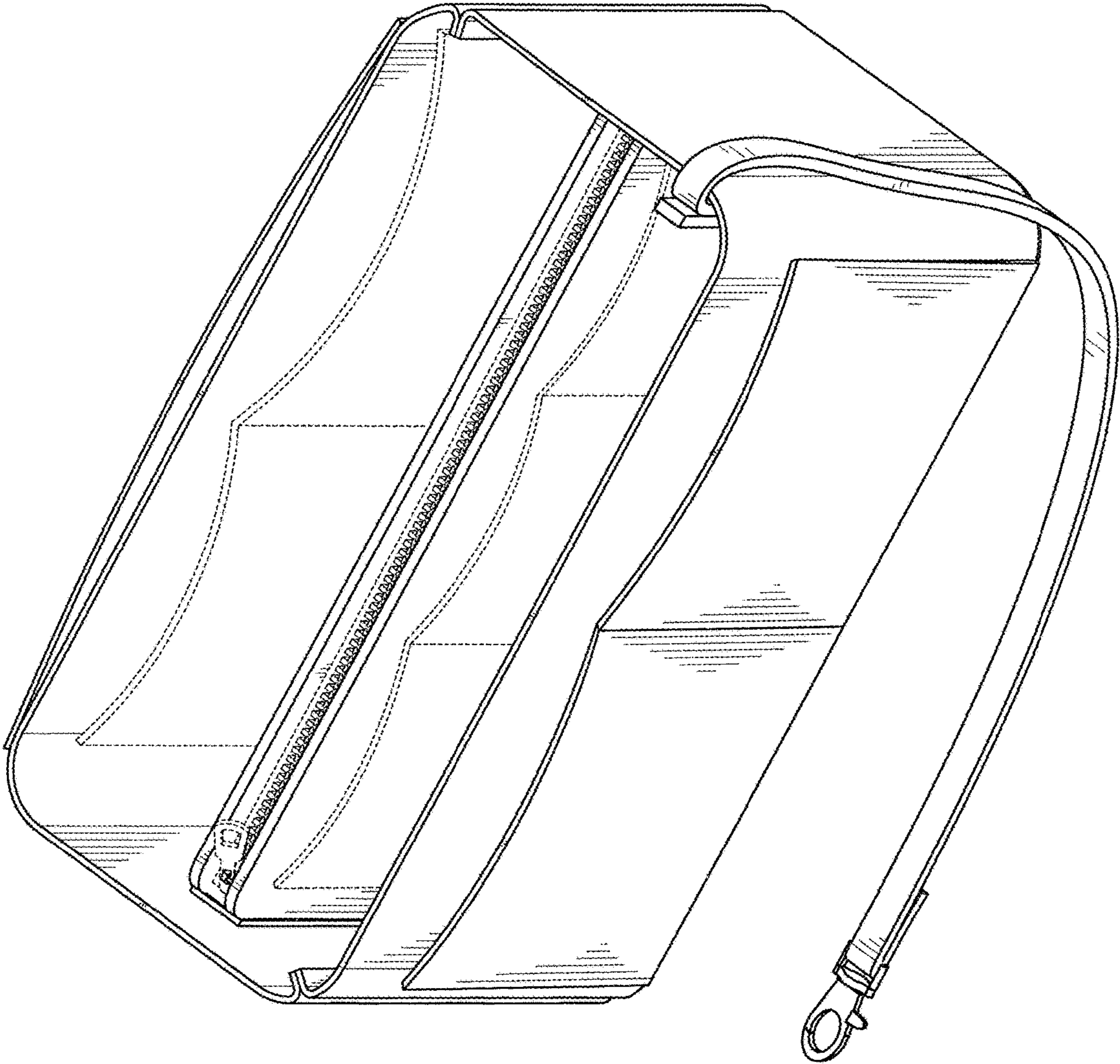


FIG. 1

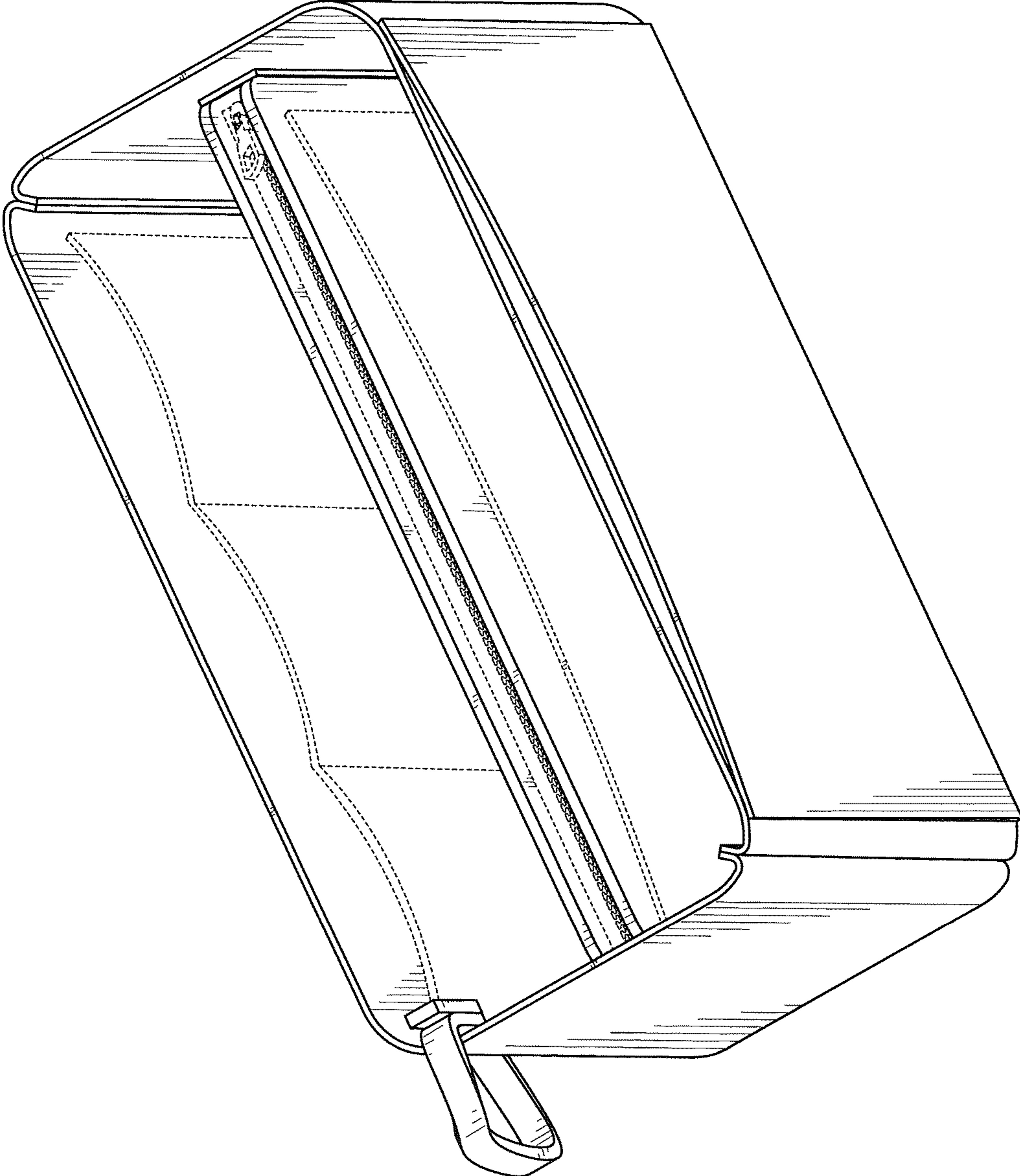


FIG. 2

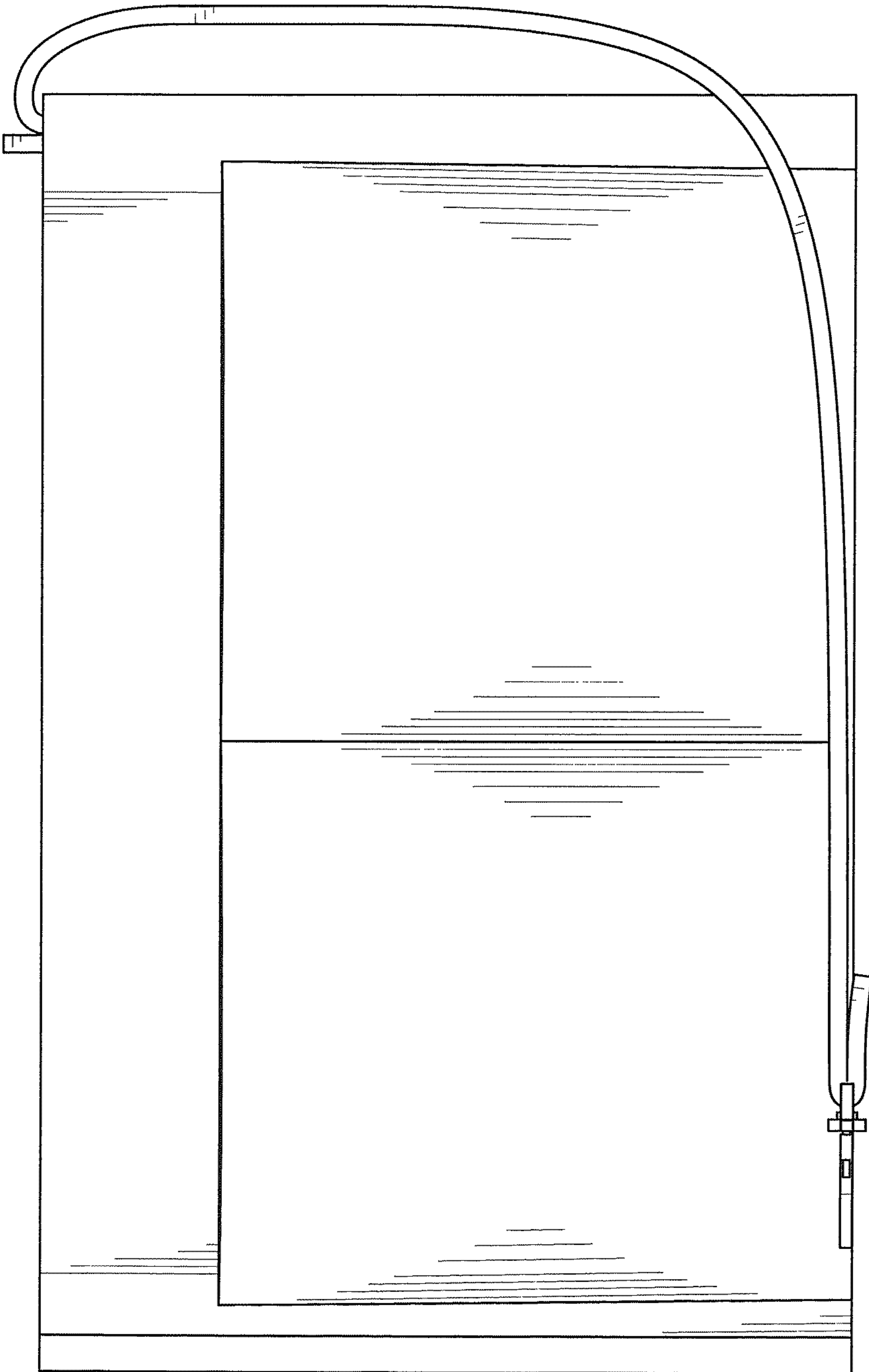


FIG. 3

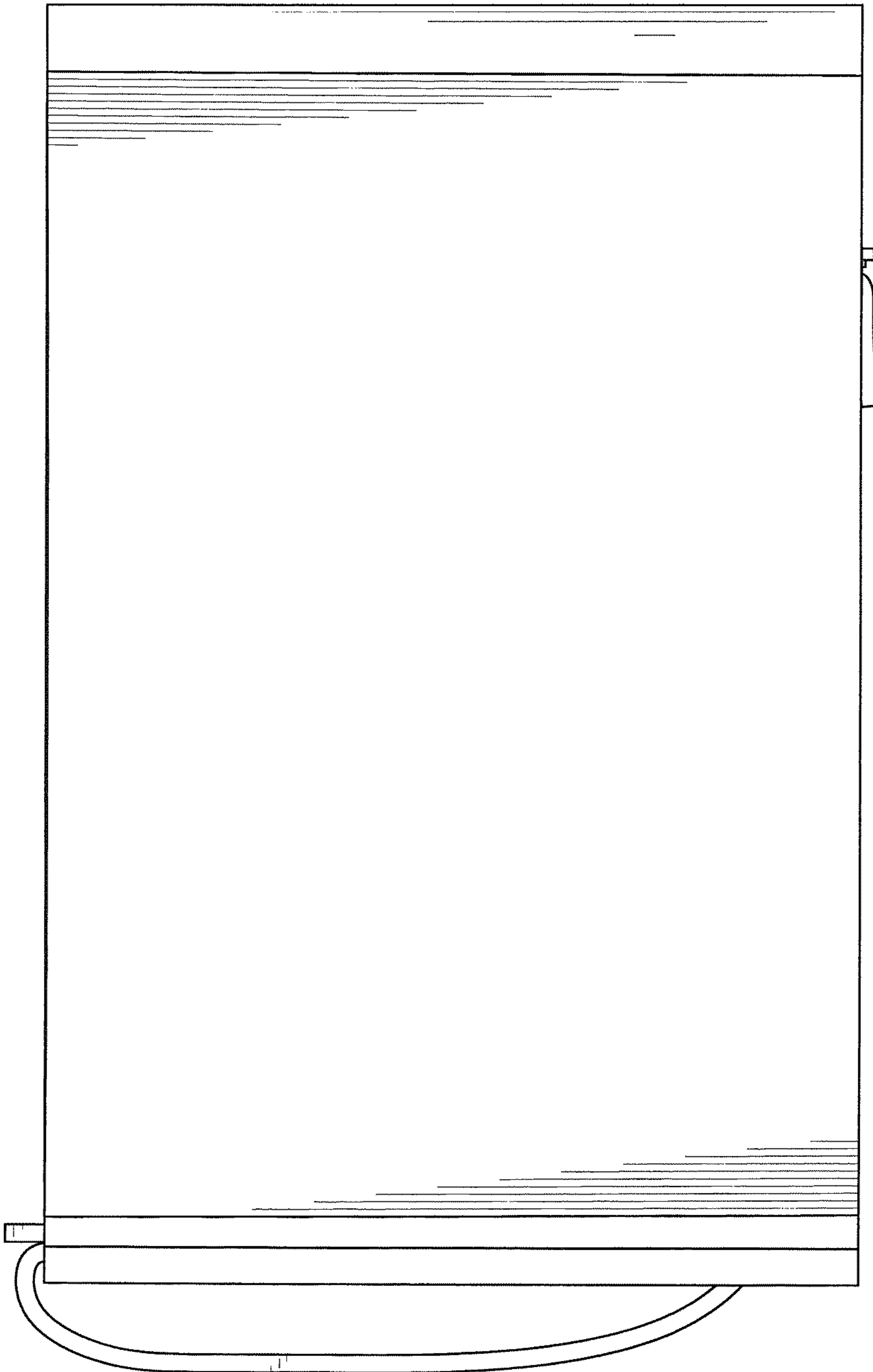


FIG. 4

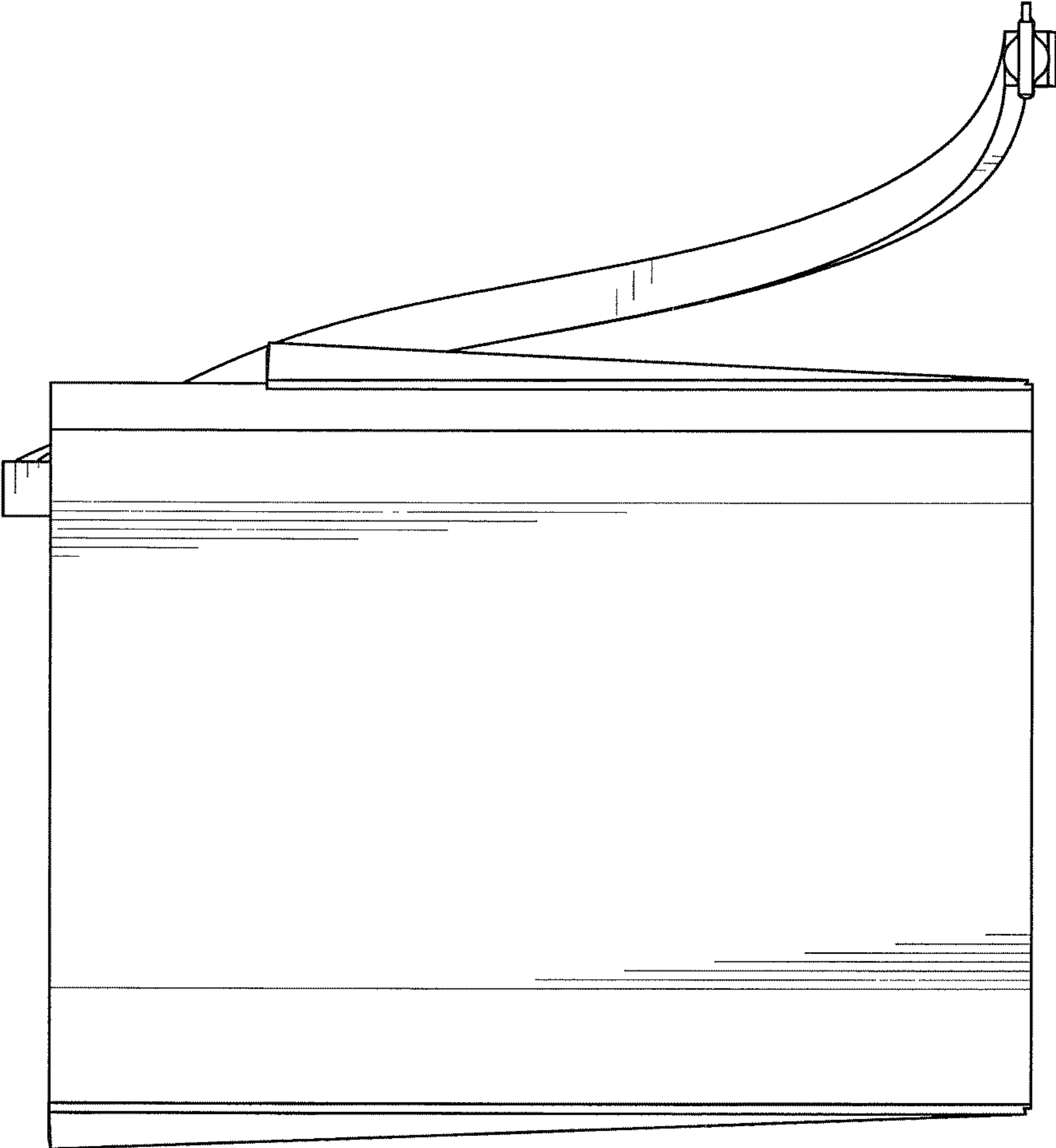


FIG. 5

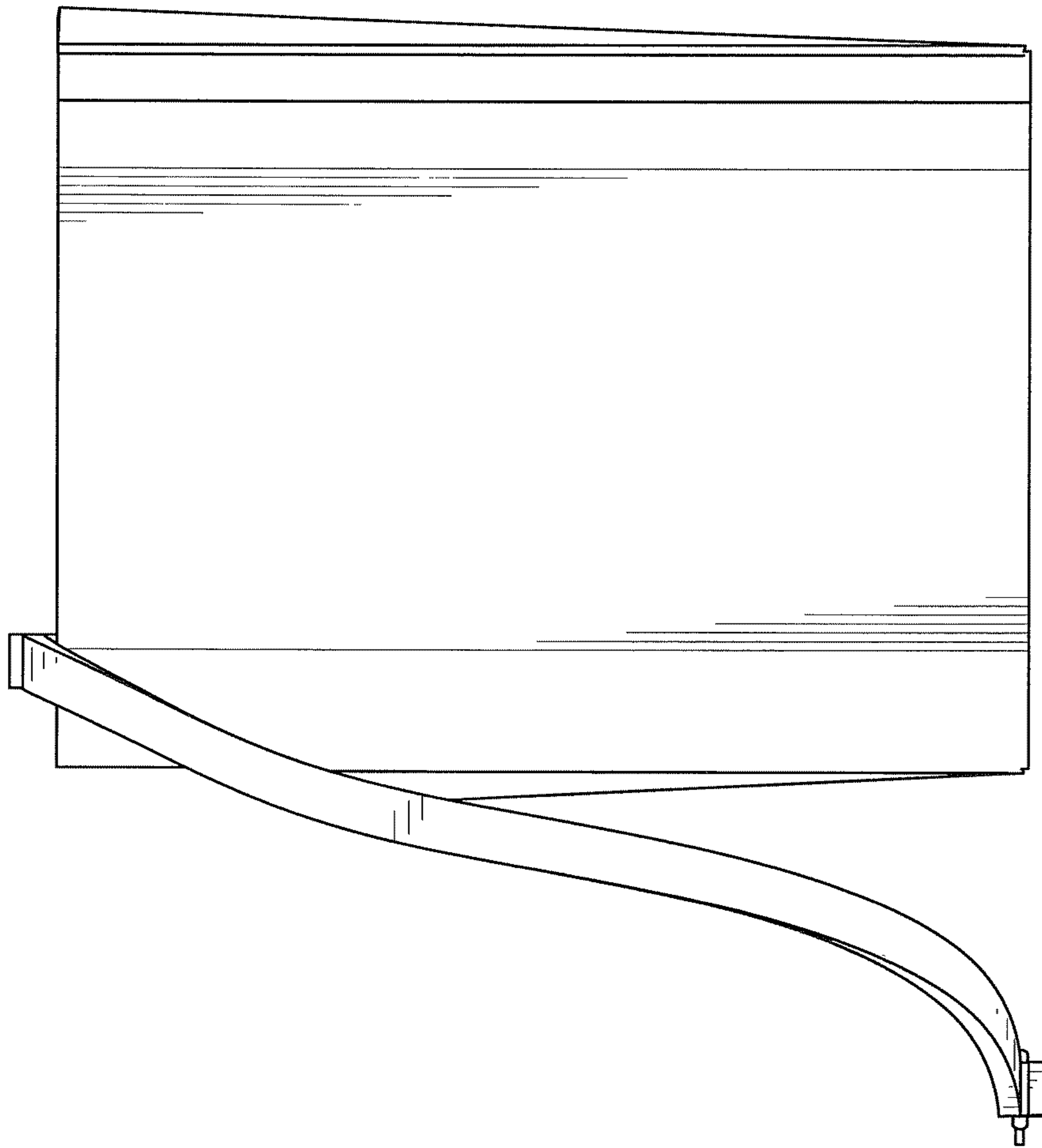


FIG. 6

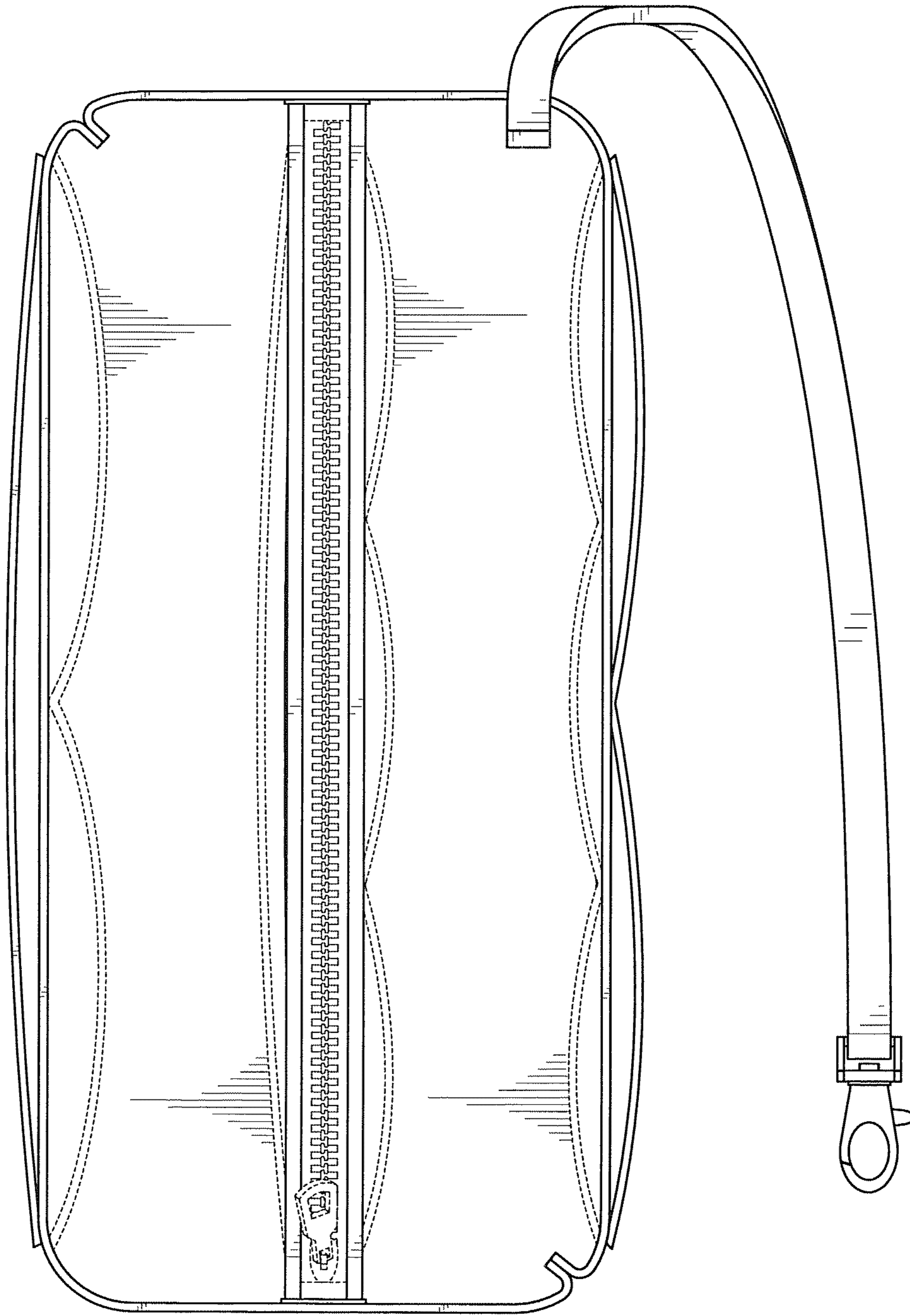


FIG. 7

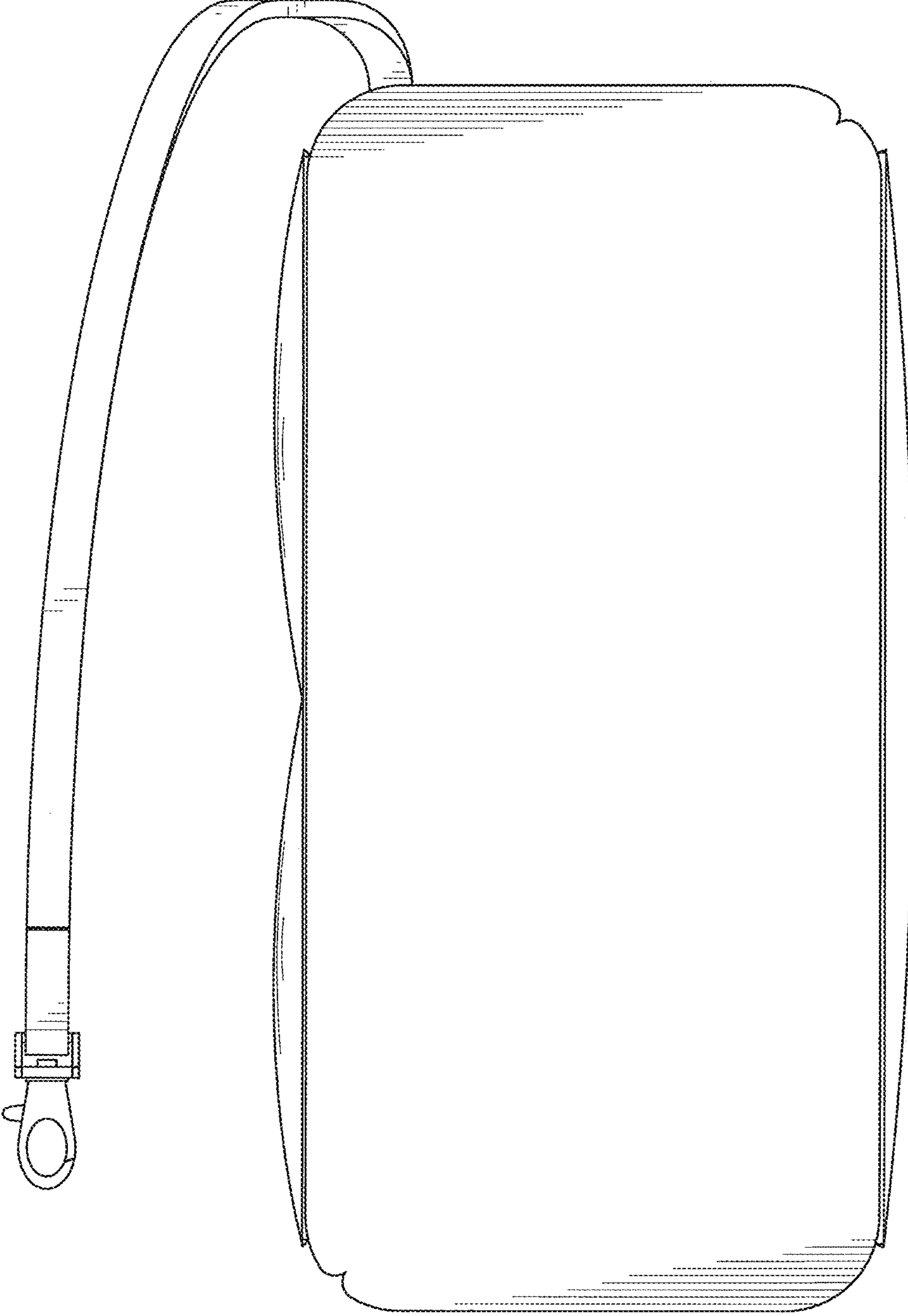


FIG. 8