



US00D893190S

(12) **United States Design Patent**
Huang

(10) **Patent No.:** **US D893,190 S**

(45) **Date of Patent:** **** Aug. 18, 2020**

(54) **SOCKET RACK**

D443,160 S *	6/2001	Ernst	D6/553
D714,062 S *	9/2014	Chen	D3/313
D839,019 S *	1/2019	Spencer	D6/514
D878,052 S *	3/2020	Hyma	D3/313

(71) Applicant: **INDUSTRO INTERNATIONAL CO., LTD.**, Taichung (TW)

* cited by examiner

(72) Inventor: **Kuo-Chan Huang**, Taichung (TW)

Primary Examiner — Wan Laymon

(73) Assignee: **INDUSTRO INTERNATIONAL CO., LTD.**, Taichung (TW)

Assistant Examiner — Mark Booker

(**) Term: **15 Years**

(74) *Attorney, Agent, or Firm* — Bruce Stone LLP;
Joseph A. Bruce

(21) Appl. No.: **29/651,945**

(57) **CLAIM**

(22) Filed: **Oct. 3, 2019**

(51) **LOC (12) Cl.** **03-01**

The ornamental design for a socket rack, as shown and described.

(52) **U.S. Cl.**

USPC **D3/313**

(58) **Field of Classification Search**

DESCRIPTION

USPC D6/514, 515, 567, 574, 675, 682, 682.1, D6/553; D3/201, 226, 228, 245, 246, D3/269, 283–284, 303–304, 308, 313, D3/315, 319, 328; D8/14, 71, 85; D19/75, 102–107; D21/386, 500, 502, D21/504; D24/226; D25/115, 118; D99/1; 211/13.1, 85.5, 70.6, 86.01, 211/87.01, 89.01; 248/309.1, 309.2, 314

CPC B25H 3/003; B25H 3/006; B25H 3/06

See application file for complete search history.

FIG. 1 is a top perspective view of a socket rack showing my new design;
 FIG. 2 is a front view thereof;
 FIG. 3 is a rear view thereof;
 FIG. 4 is a right side view thereof;
 FIG. 5 is a left side view thereof;
 FIG. 6 is a top view thereof;
 FIG. 7 is a bottom view thereof; and,
 FIG. 8 is a top perspective view thereof in a sample environmental setting.

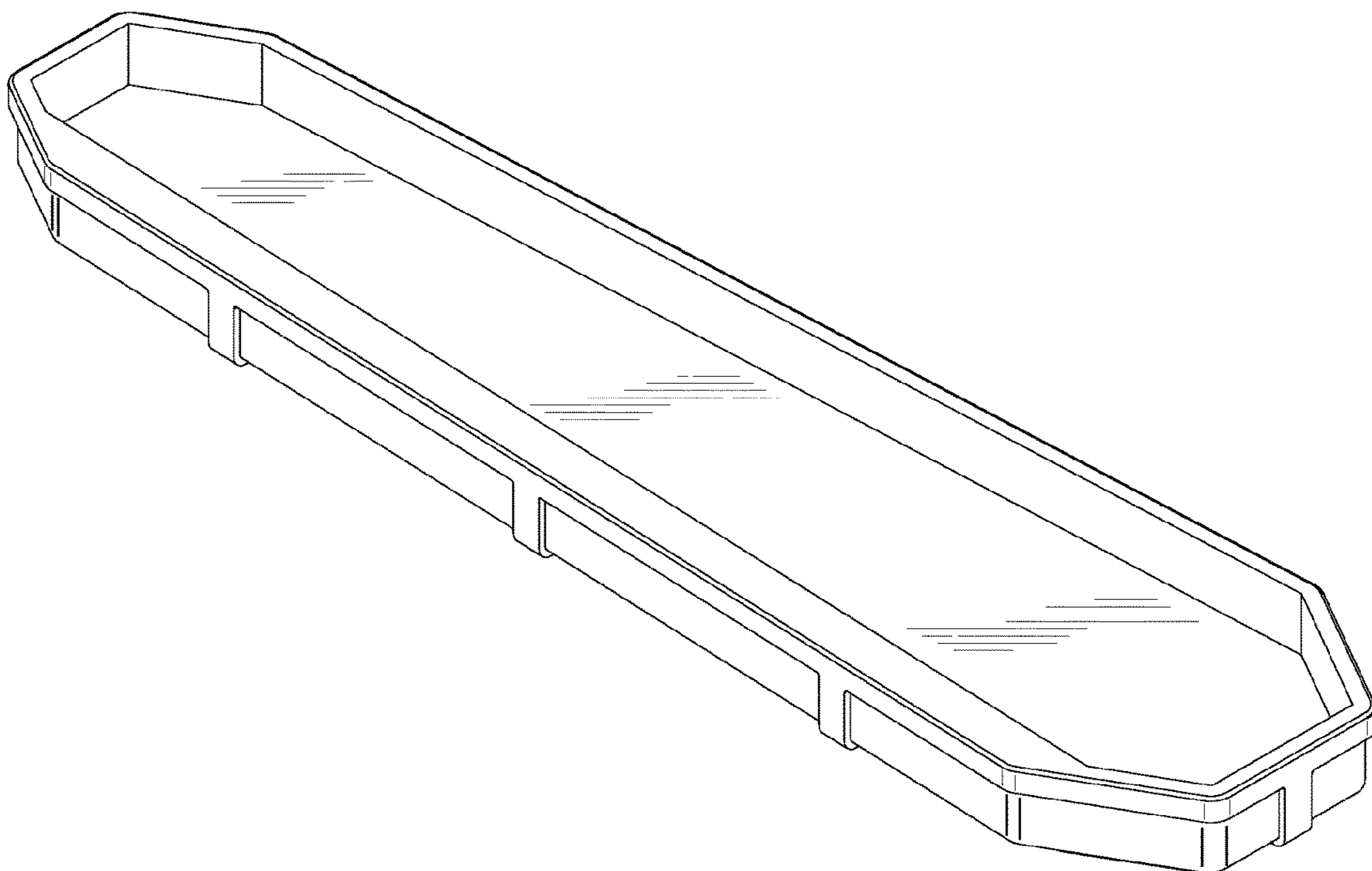
The broken lines in the drawings illustrate unclaimed portions of the article which form no part of the claimed design.

(56) **References Cited**

U.S. PATENT DOCUMENTS

D310,770 S *	9/1990	Zamarripa	D8/28
D342,880 S *	1/1994	Clancy	D3/313

1 Claim, 7 Drawing Sheets



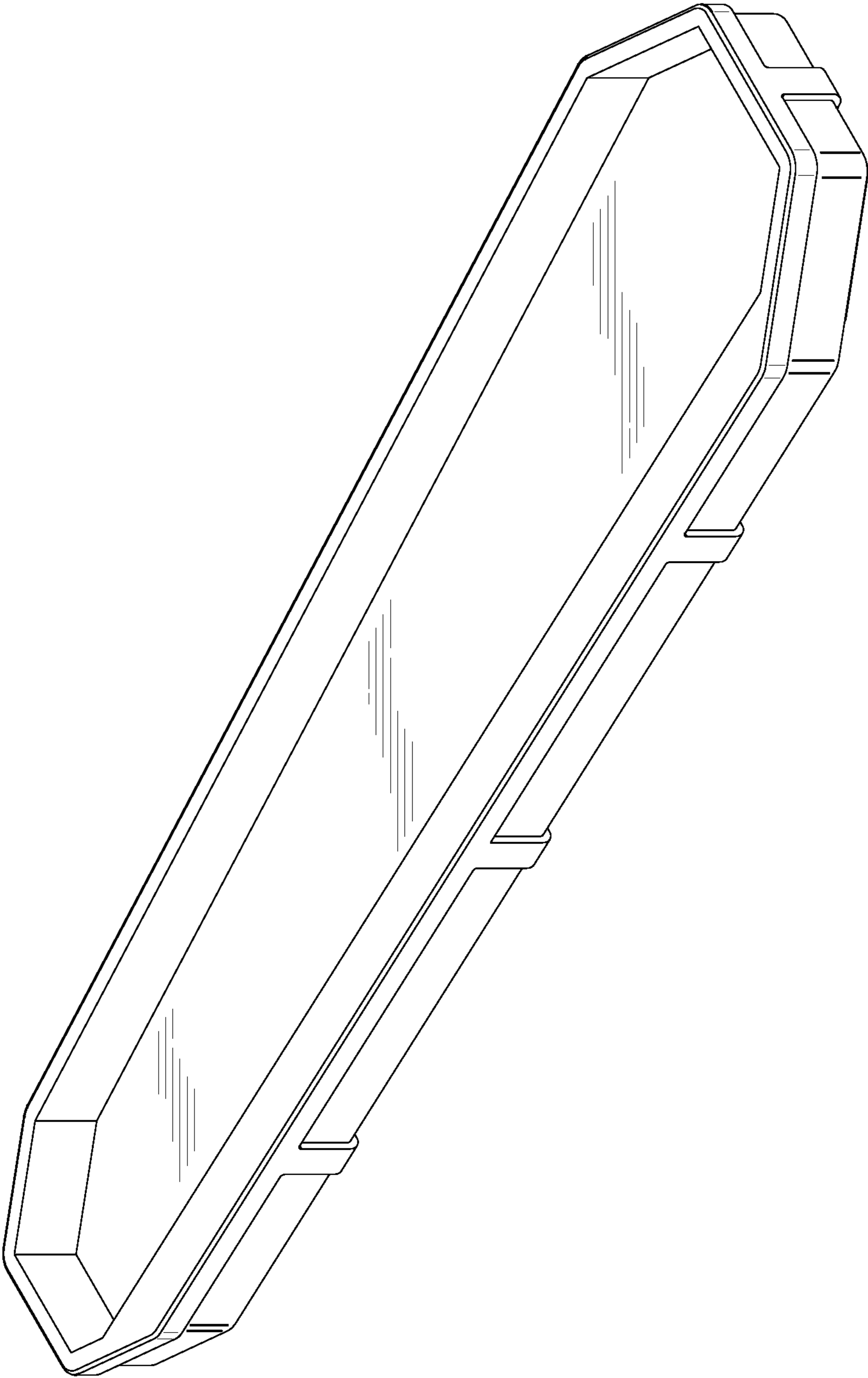


Fig. 1

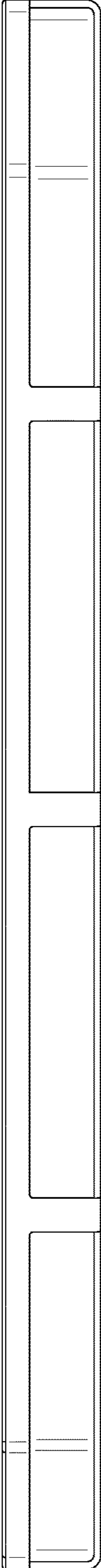


Fig. 2

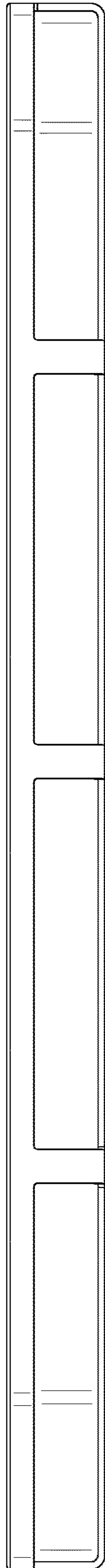


Fig. 3

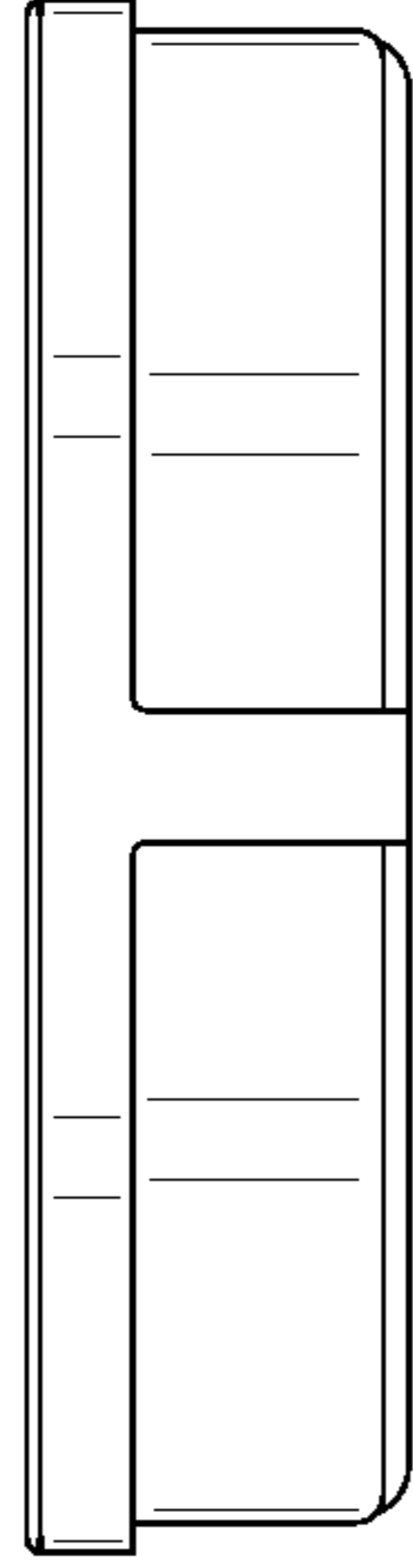


Fig. 4

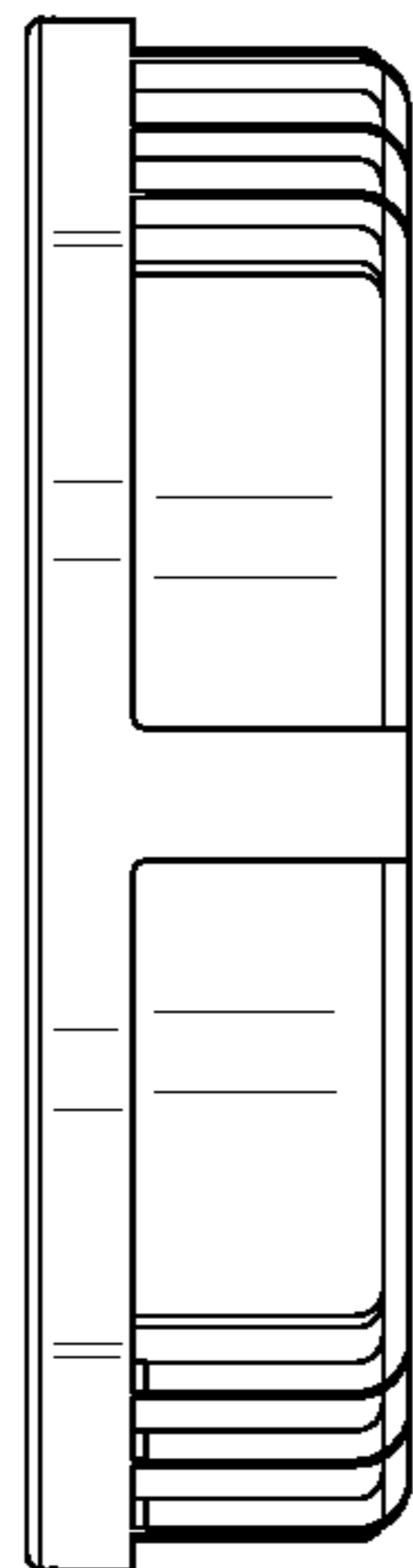


Fig. 5

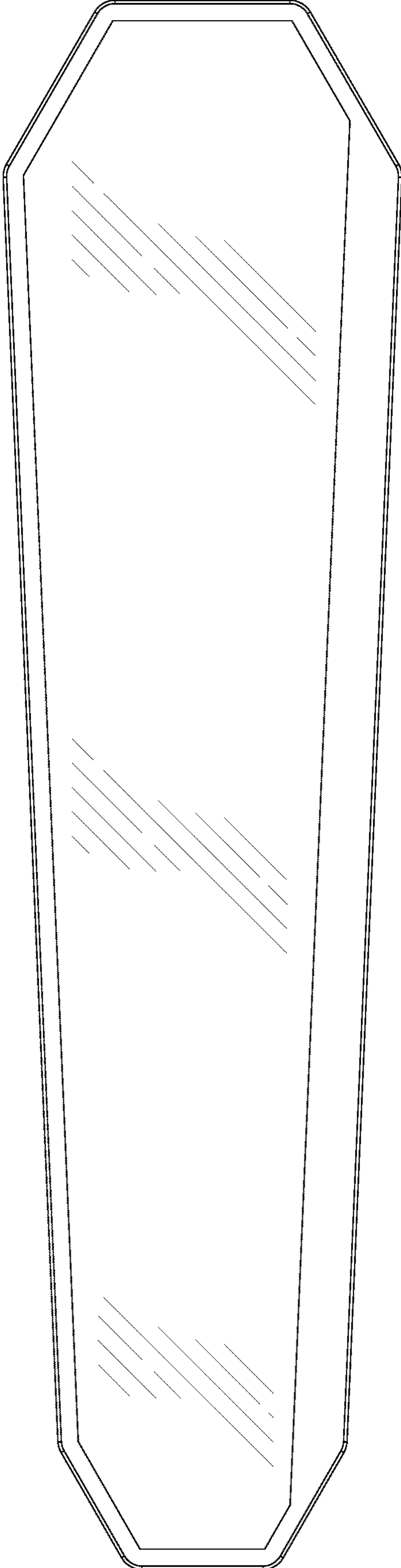


Fig. 6

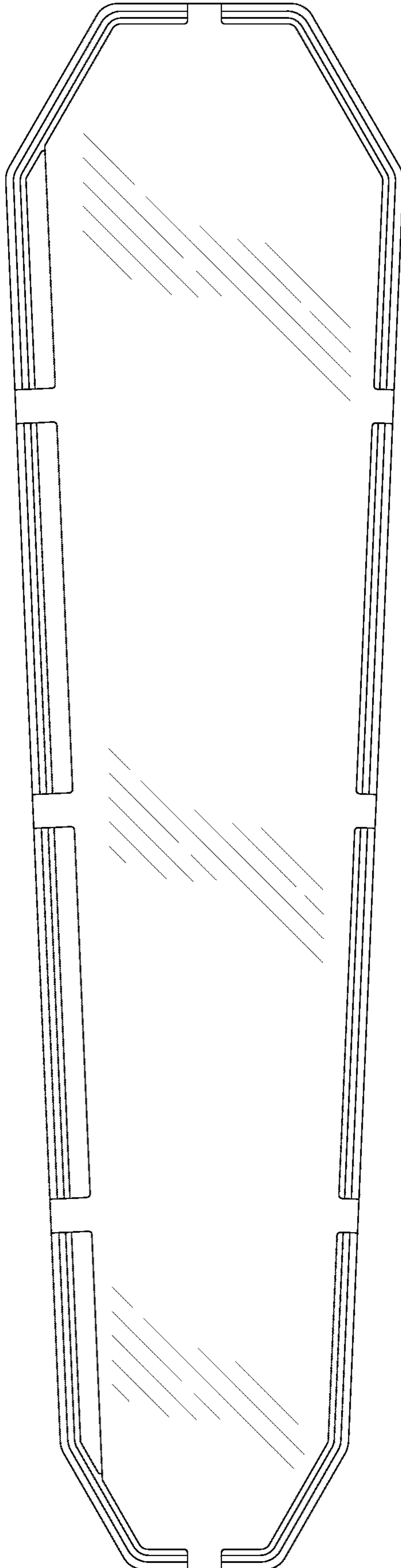


Fig. 7

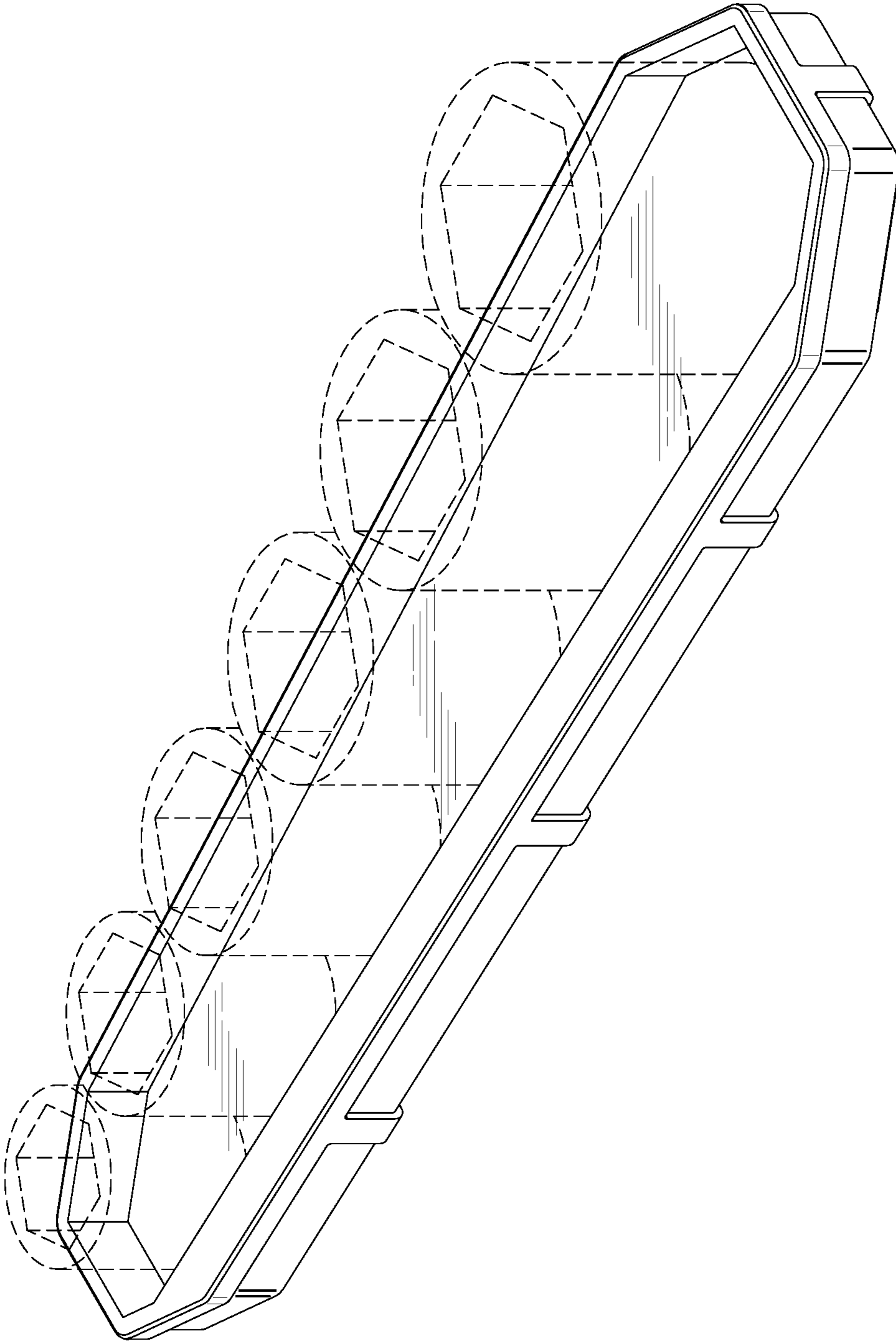


Fig. 8