

US00D893189S

(12) **United States Design Patent** (10) **Patent No.:** **US D893,189 S**
Hu (45) **Date of Patent:** **** Aug. 18, 2020**

(54) **TWO TIER BASKET**

(71) Applicant: **Fen Hu**, Guangdong (CN)

(72) Inventor: **Fen Hu**, Guangdong (CN)

(**) Term: **15 Years**

(21) Appl. No.: **29/662,319**

(22) Filed: **Sep. 5, 2018**

(51) **LOC (12) Cl.** **03-01**

(52) **U.S. Cl.**
USPC **D3/307**

(58) **Field of Classification Search**
USPC D6/672, 677, 677.1, 677.2, 677.3, 682,
D6/682.1; D3/304, 313, 316, 306, 307
CPC B65D 1/00; B65D 11/02; B65D 1/0223;
B65D 7/00; B65D 21/0211
See application file for complete search history.

(56) **References Cited**

U.S. PATENT DOCUMENTS

D23,735 S *	10/1894	Driggs	D6/677.3
D35,012 S *	8/1901	Childers	D6/677.3
D191,812 S *	11/1961	Tirlet	D6/677.5
D453,883 S *	2/2002	Conde	D6/677.1

D561,539 S *	2/2008	Snider	D7/600.2
D656,758 S *	4/2012	Snider	D6/677.2
D679,544 S *	4/2013	Goodman	D7/501
D775,873 S *	1/2017	Burnett	A47G 1/202 D6/677.2
D785,404 S *	5/2017	Goodman	D7/500
D788,528 S *	6/2017	Goodman	D7/500
D793,130 S *	8/2017	Ellison	D6/677.1
D811,170 S *	2/2018	Goodman	D7/601
D833,223 S *	11/2018	Wilson	D7/500
D868,511 S *	12/2019	McBride	D6/677.1

* cited by examiner

Primary Examiner — Kelley A Donnelly

(74) *Attorney, Agent, or Firm* — Justin Lampel

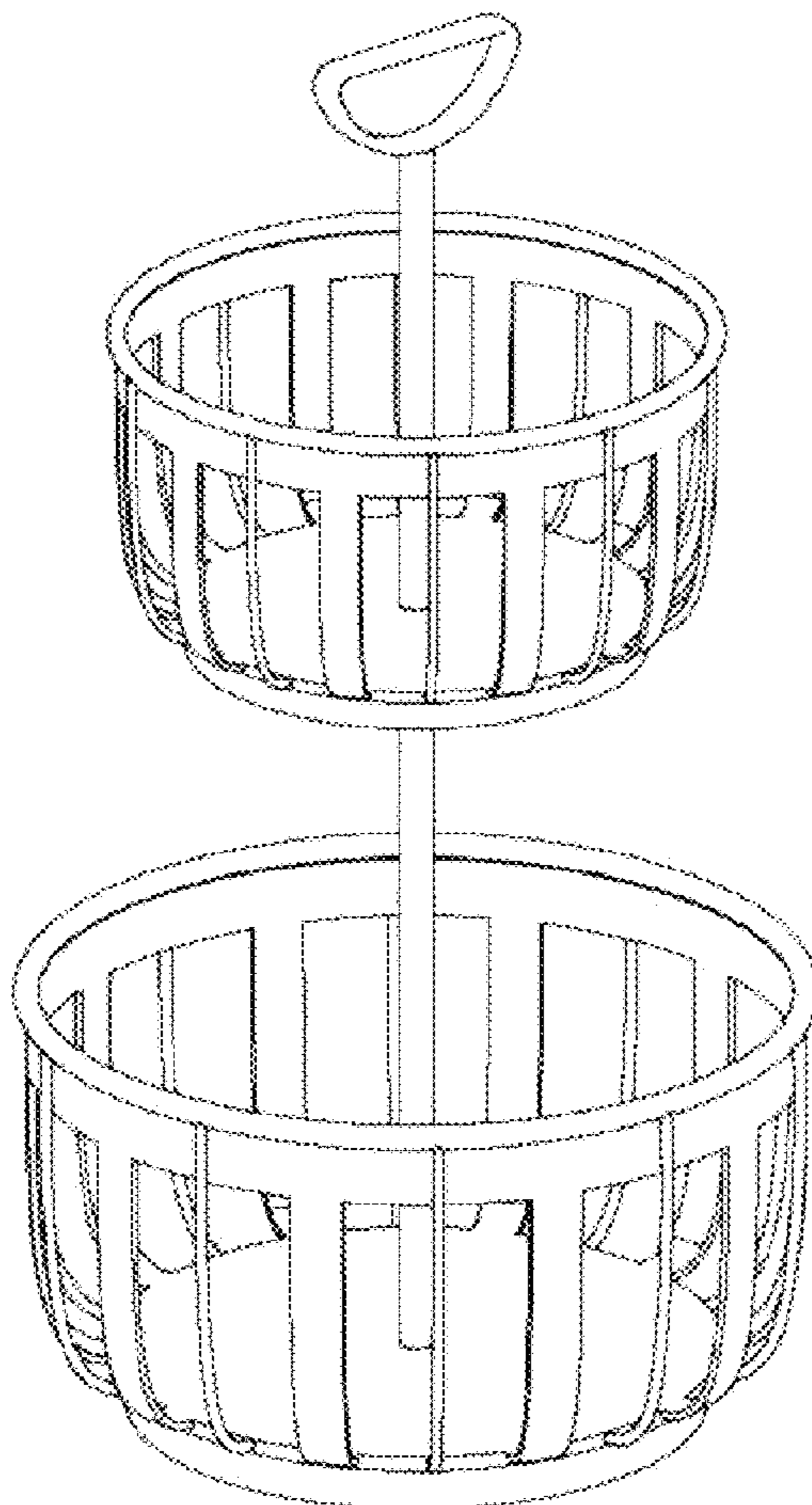
(57) **CLAIM**

The ornamental design for a two tier basket, as shown and described.

DESCRIPTION

FIG. 1 is a perspective view of a two tier basket showing my new design;
FIG. 2 is a front elevational view thereof;
FIG. 3 is a rear elevational view thereof;
FIG. 4 is a right side view thereof;
FIG. 5 is a left side view thereof;
FIG. 6 is a bottom plan view thereof; and,
FIG. 7 is a top plan view thereof.

1 Claim, 7 Drawing Sheets



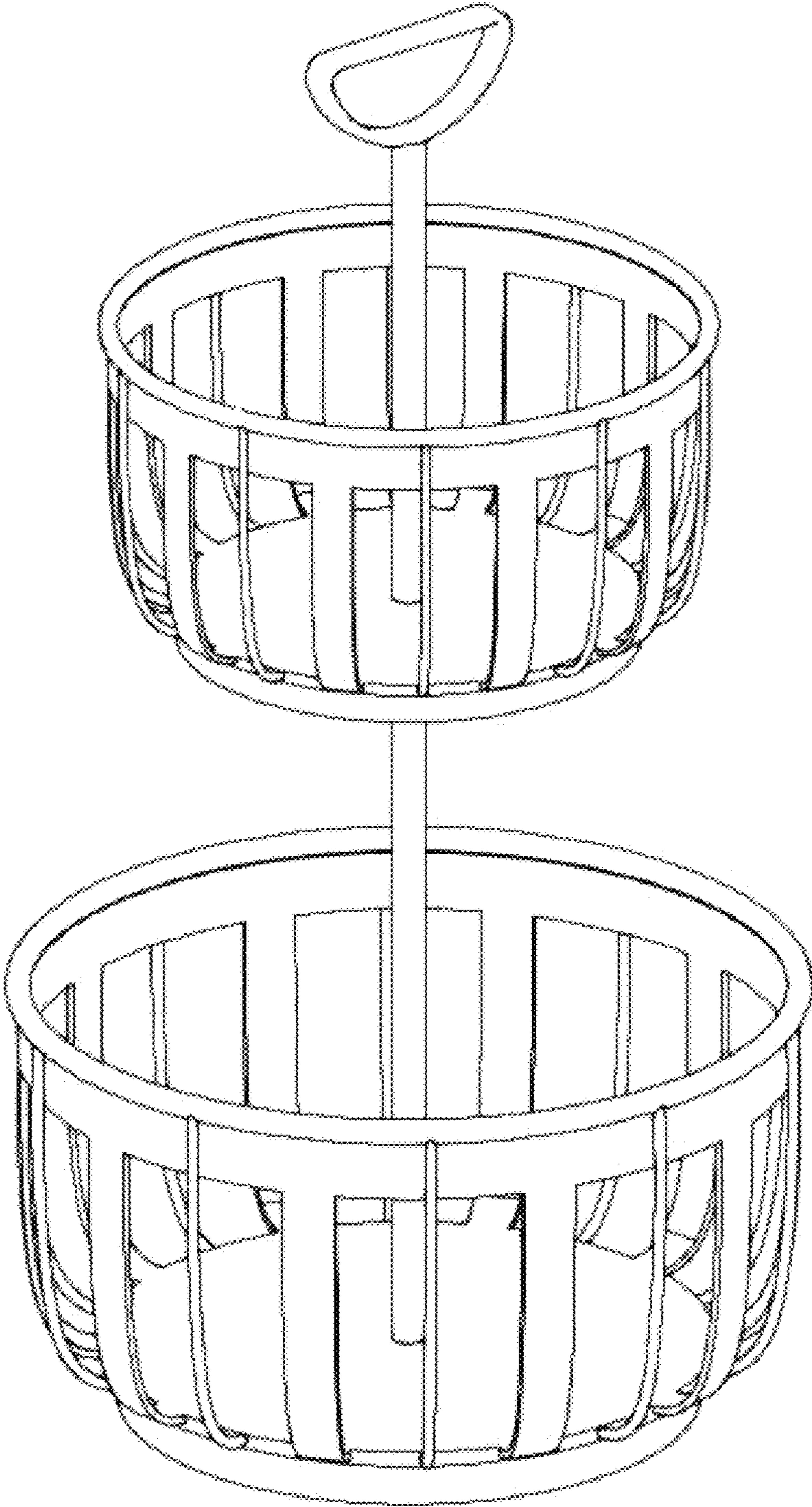


FIG. 1

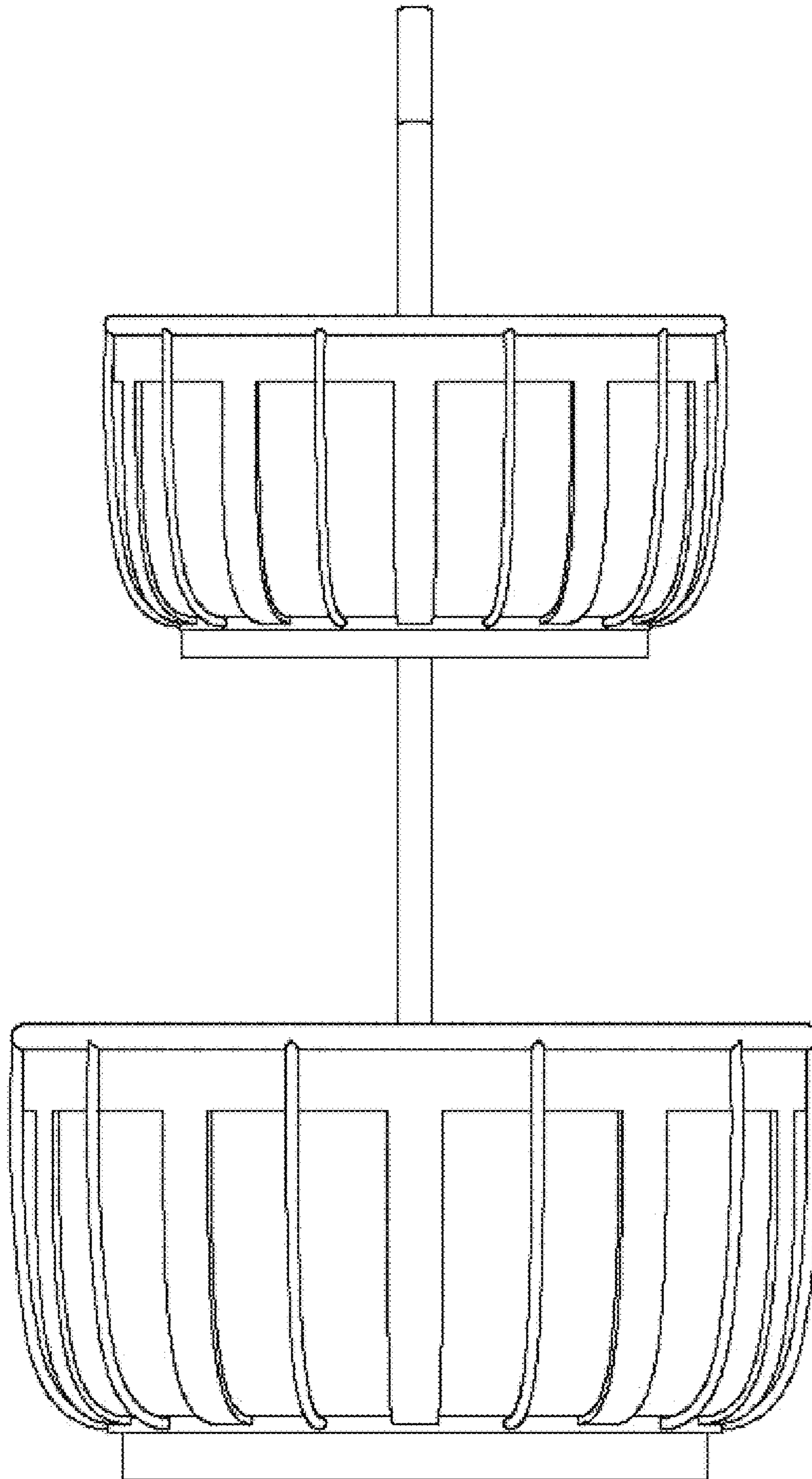


FIG. 2

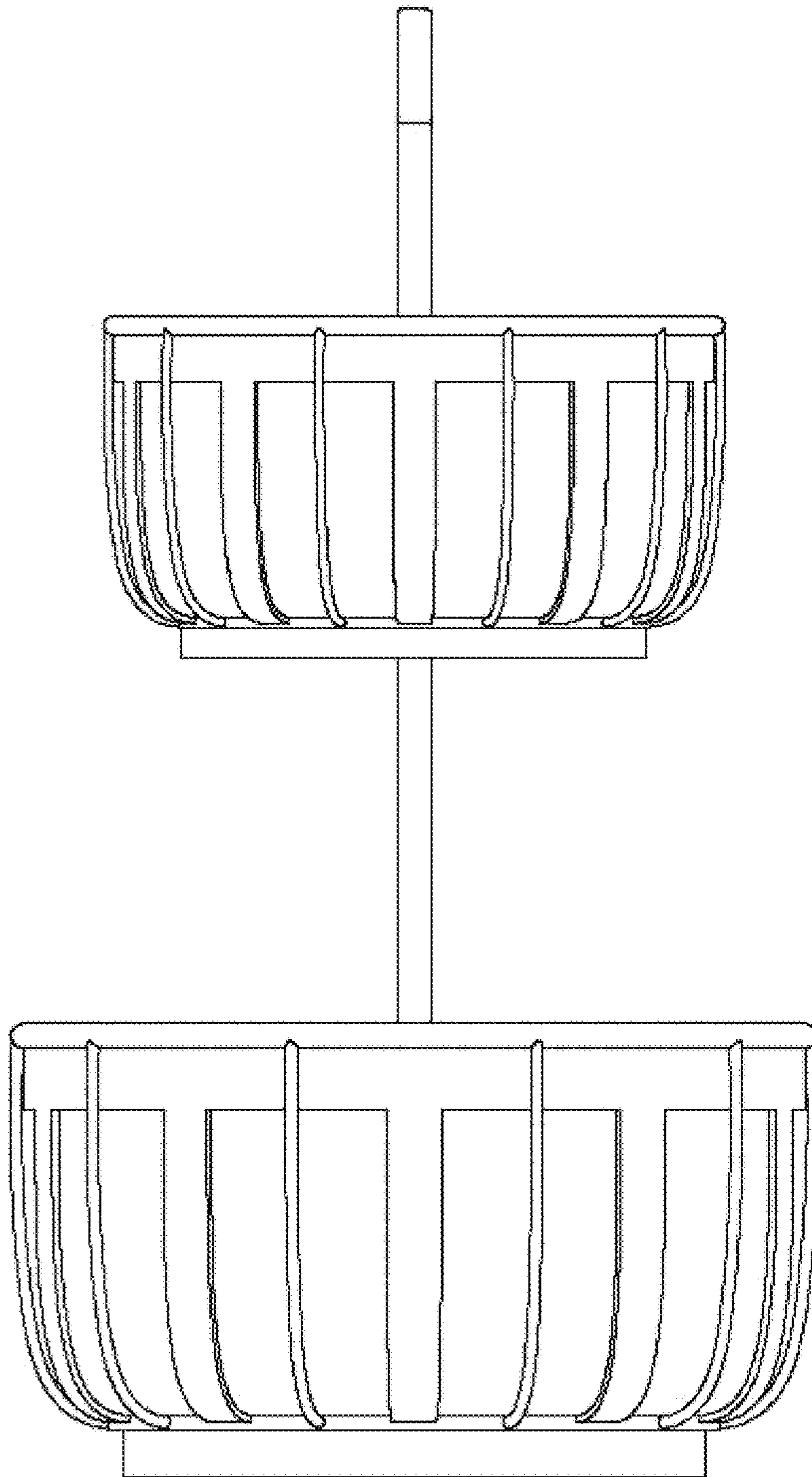


FIG. 3

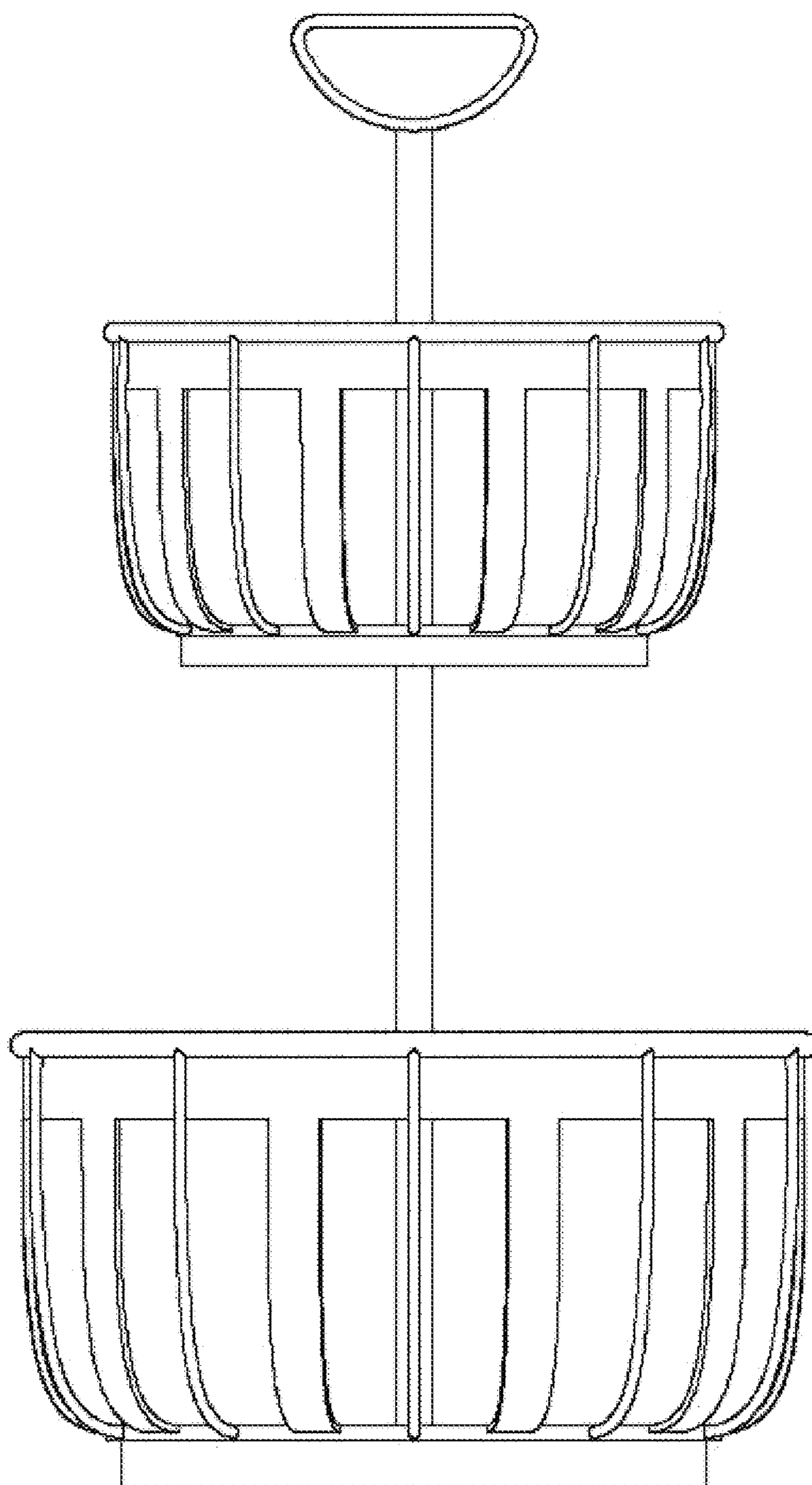


FIG. 4

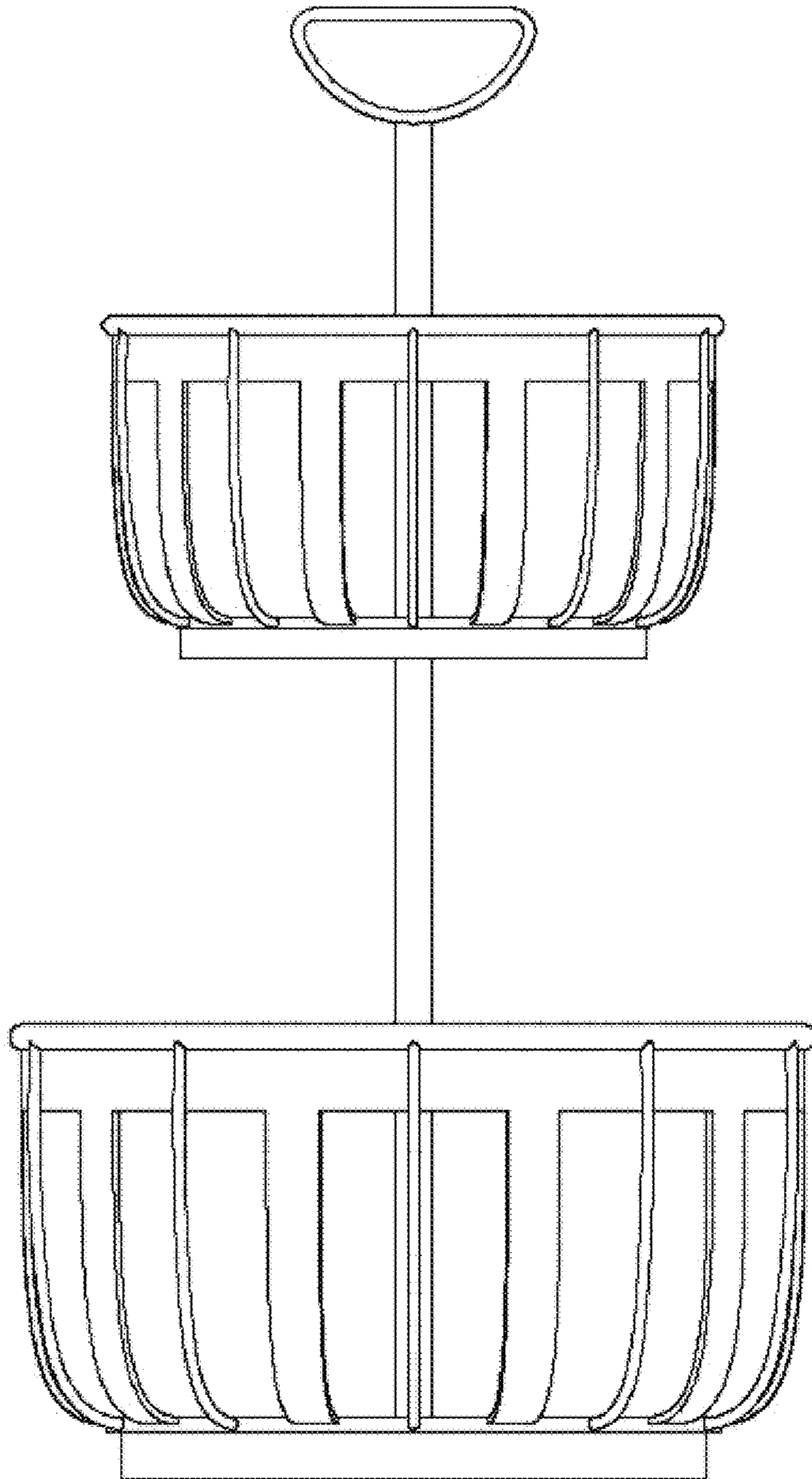


FIG. 5

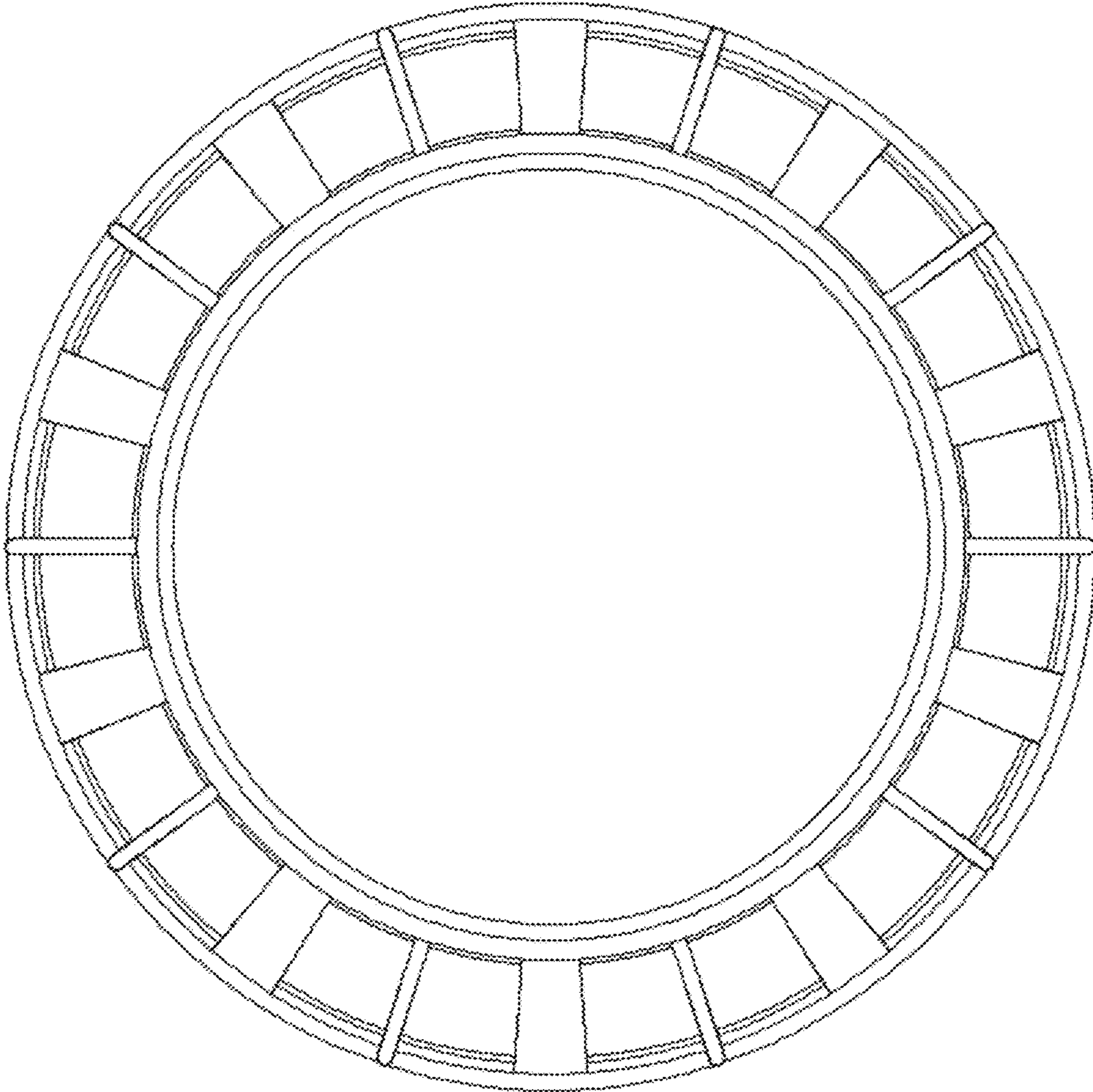


FIG. 6

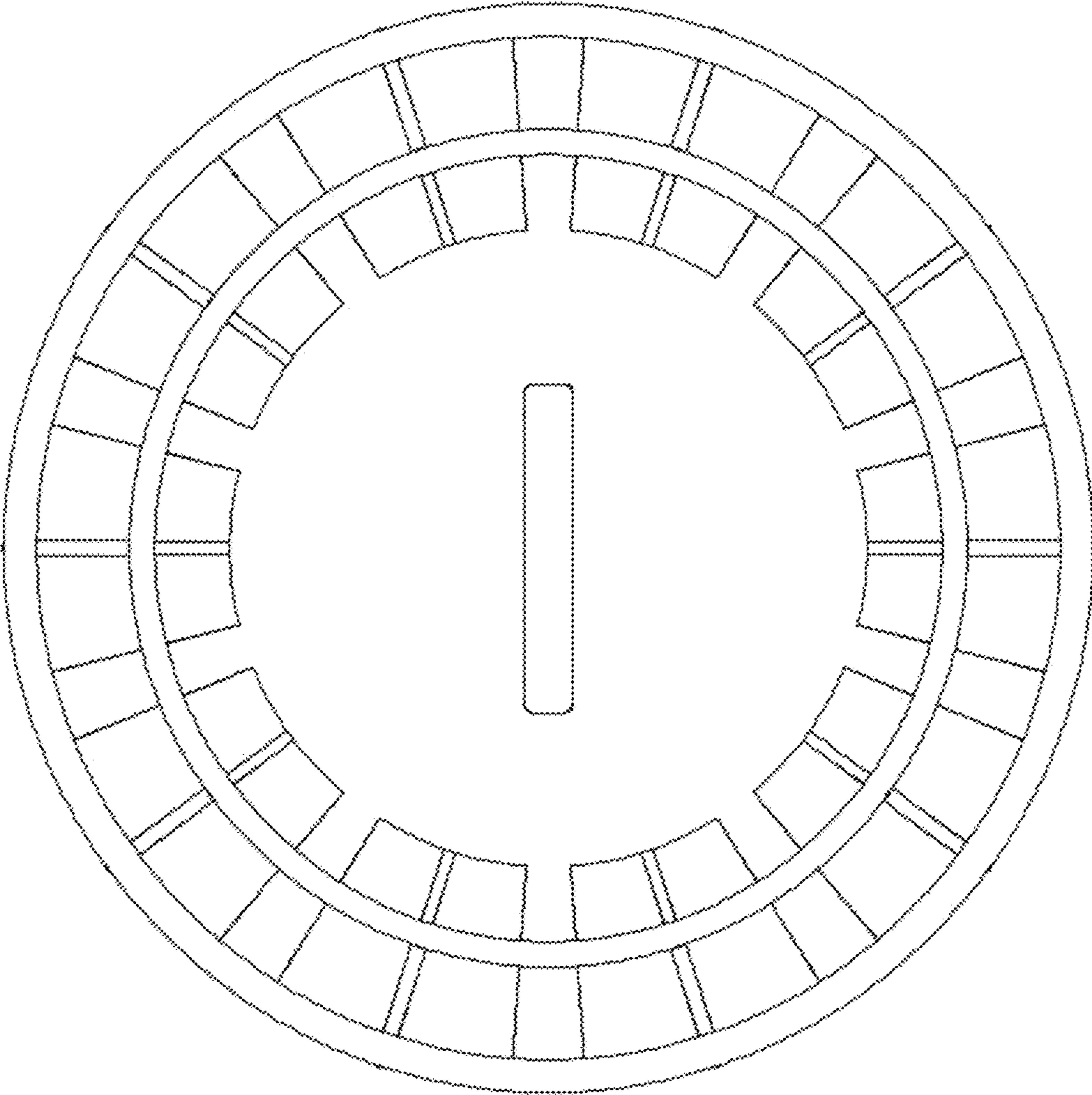


FIG. 7