



US00D893187S

(12) **United States Design Patent** (10) **Patent No.:** **US D893,187 S**
Bennett et al. (45) **Date of Patent:** **** Aug. 18, 2020**

(54) **ROLL UP BAG**

(71) Applicant: **OMIX-ADA, INC.**, Ann Arbor, MI (US)

(72) Inventors: **Patrick W. Bennett**, Gainesville, GA (US); **Eric Russell**, Lilburn, GA (US)

(73) Assignee: **OMIX-ADA, INC.**, Ann Arbor, MI (US)

(**) Term: **15 Years**

(21) Appl. No.: **29/657,483**

(22) Filed: **Jul. 23, 2018**

(51) **LOC (12) Cl.** **03-01**

(52) **U.S. Cl.**
USPC **D3/299**

(58) **Field of Classification Search**
USPC D3/204, 218, 226, 230, 232, 243, 245, D3/246, 247, 249, 272, 273, 275, 276, D3/283-285, 289, 290, 294-296, 299, D3/303, 315, 903
CPC A45C 11/34
See application file for complete search history.

(56) **References Cited**

U.S. PATENT DOCUMENTS

1,094,009	A *	4/1914	Parkhurst	B25H 3/02	206/373
4,195,378	A	4/1980	Parker			
D332,697	S	1/1993	Schildkraut			
D357,455	S *	4/1995	Gomes	D3/901	
D378,024	S	2/1997	Tucker			
5,730,529	A	3/1998	Fritz et al.			
7,171,707	B2	2/2007	Landay			
7,806,124	B2 *	10/2010	Mackinder	A45C 11/26	132/222
D627,163	S	11/2010	Kittrell			
D627,167	S	11/2010	Kittrell			

D646,485	S	10/2011	Mason			
D699,030	S *	2/2014	Etzler	D3/206	
D720,537	S	1/2015	Taller et al.			
D740,903	S	10/2015	Siciliano			
D741,064	S *	10/2015	Ramos	D3/299	
D800,452	S *	10/2017	Rosenbluth	D3/301	
D808,166	S *	1/2018	Thompson	D3/299	
D815,832	S	4/2018	Bradley et al.			
D848,143	S *	5/2019	Touchstone	D3/215	
D853,117	S *	7/2019	McBride	D3/299	
D858,991	S *	9/2019	Simpson	D3/299	
2011/0073123	A1	3/2011	Ferrence et al.			
2017/0251779	A1 *	9/2017	Lai	A45C 1/02	

* cited by examiner

Primary Examiner — Holly E Thurman

(74) *Attorney, Agent, or Firm* — The Dobrusin Law Firm, P.C.

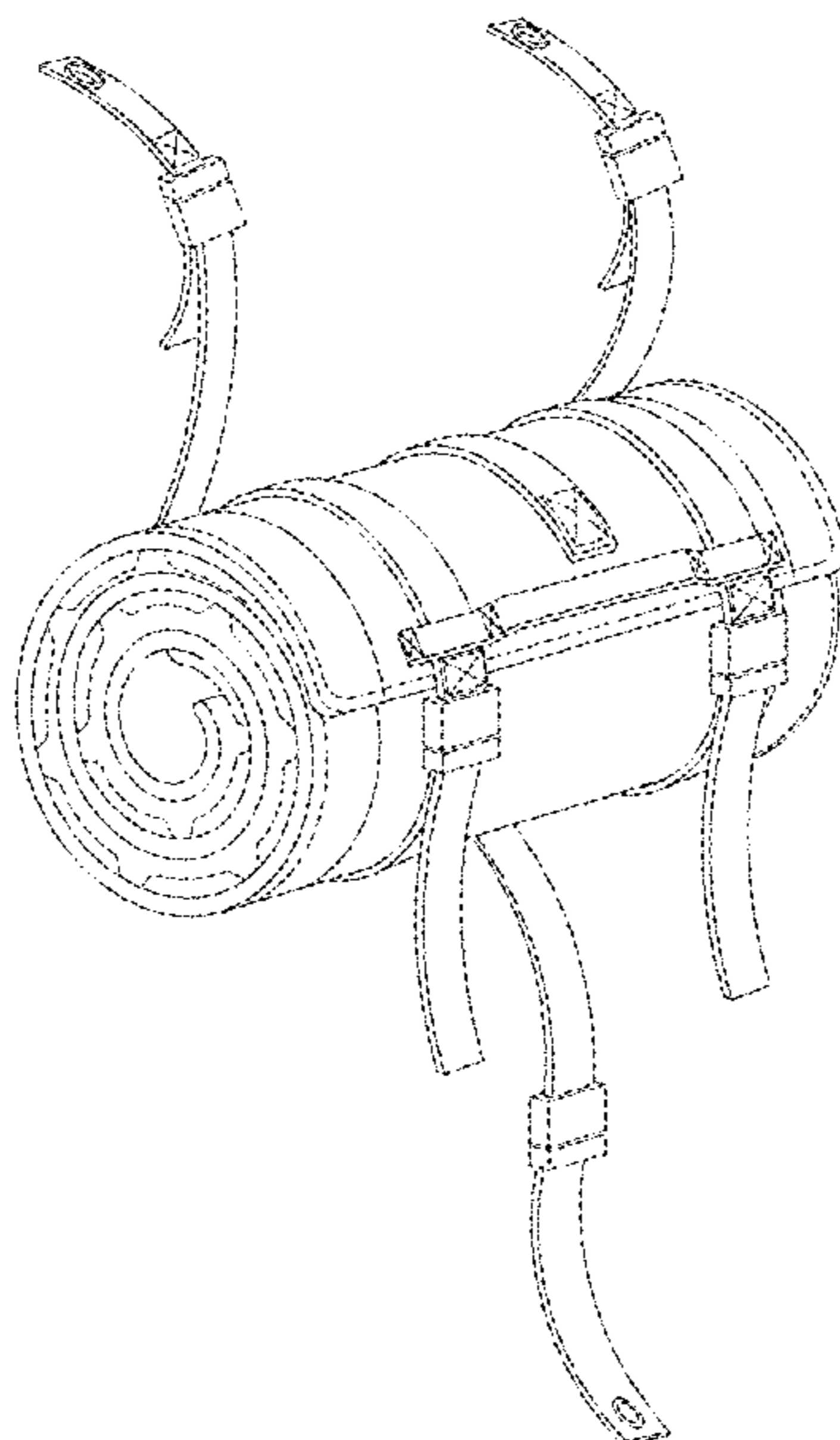
(57) **CLAIM**

The ornamental design for a roll up bag, as shown and described.

DESCRIPTION

FIG. 1 is a front elevational view of the roll up bag showing our new design.
 FIG. 2 is a rear elevational view thereof.
 FIG. 3 is side elevational view thereof.
 FIG. 4 is a top plan view thereof.
 FIG. 5 is a bottom plan view thereof.
 FIG. 6 is a perspective view of the roll up bag showing our new design.
 FIG. 7 is a front elevational view of FIG. 6.
 FIG. 8 is a rear elevational view of FIG. 6.
 FIG. 9 is a top plan view of FIG. 6.
 FIG. 10 is a bottom plan view of FIG. 6; and,
 FIG. 11 is side elevational view of FIG. 6.
 The broken lines in the drawings depict unclaimed portions of the roll up bag and form no part of the claimed design.

1 Claim, 8 Drawing Sheets



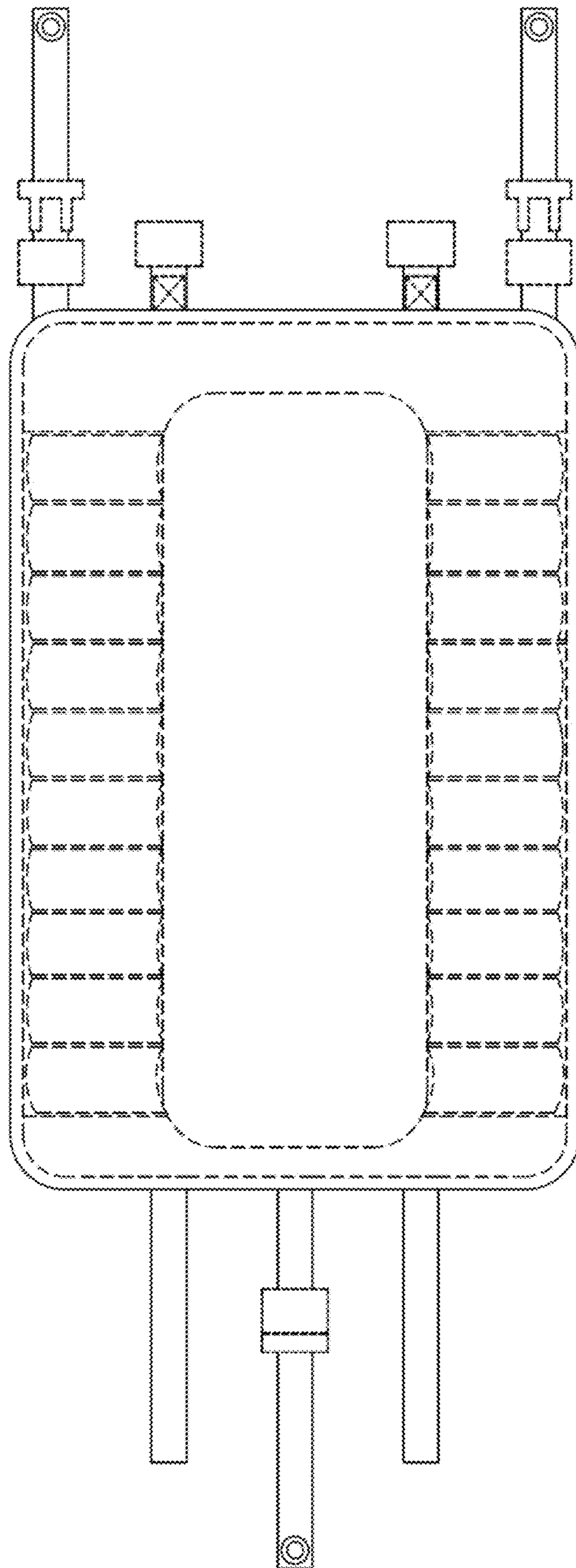


FIG. 1

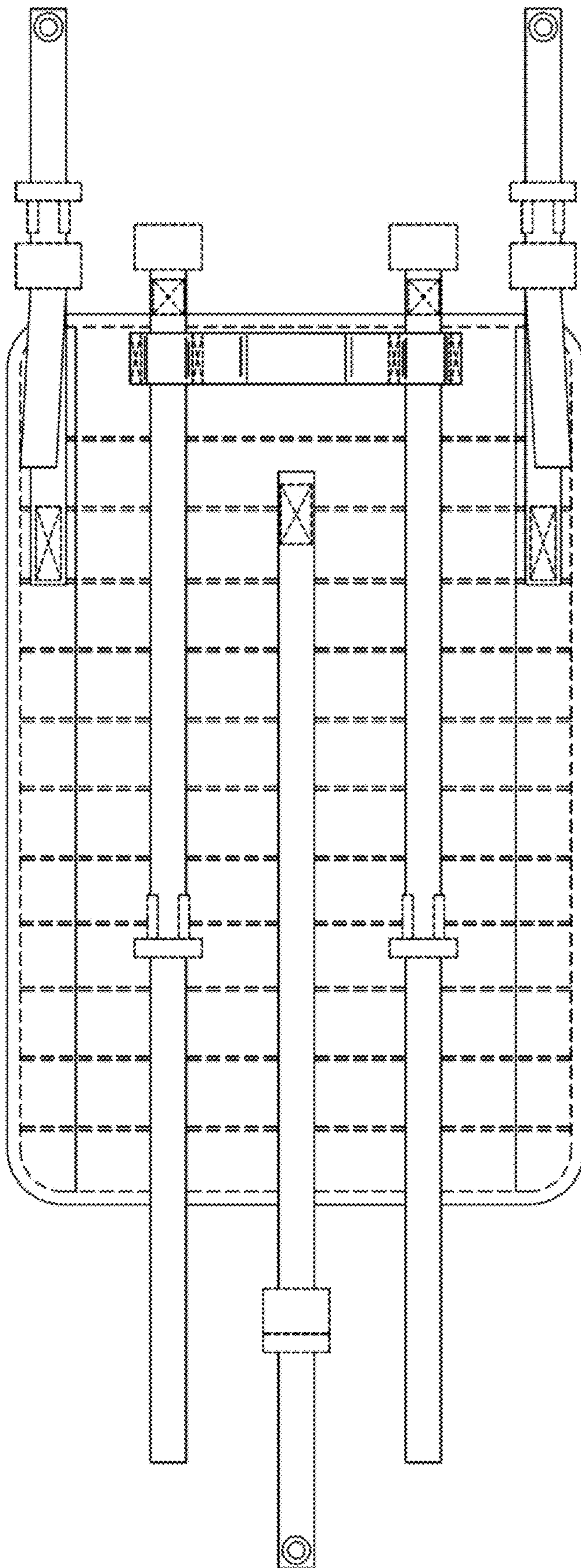


FIG. 2

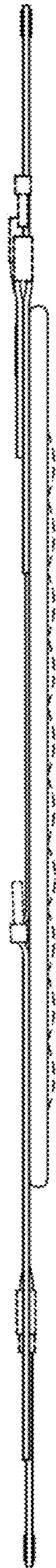


FIG. 3

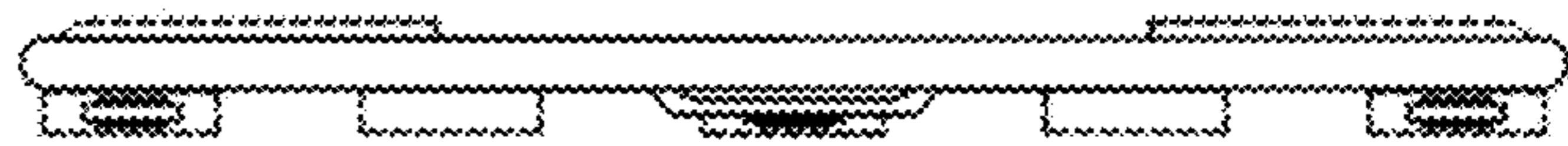


FIG. 4

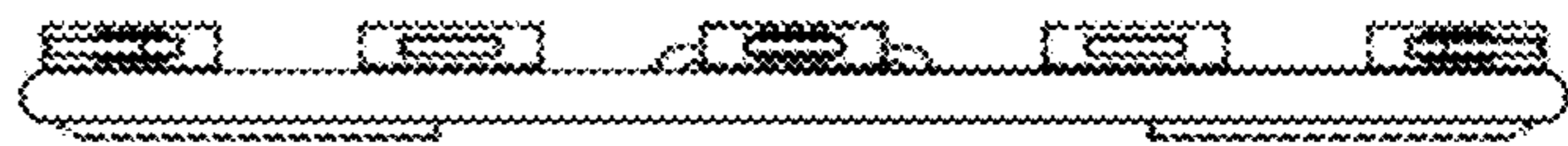


FIG. 5

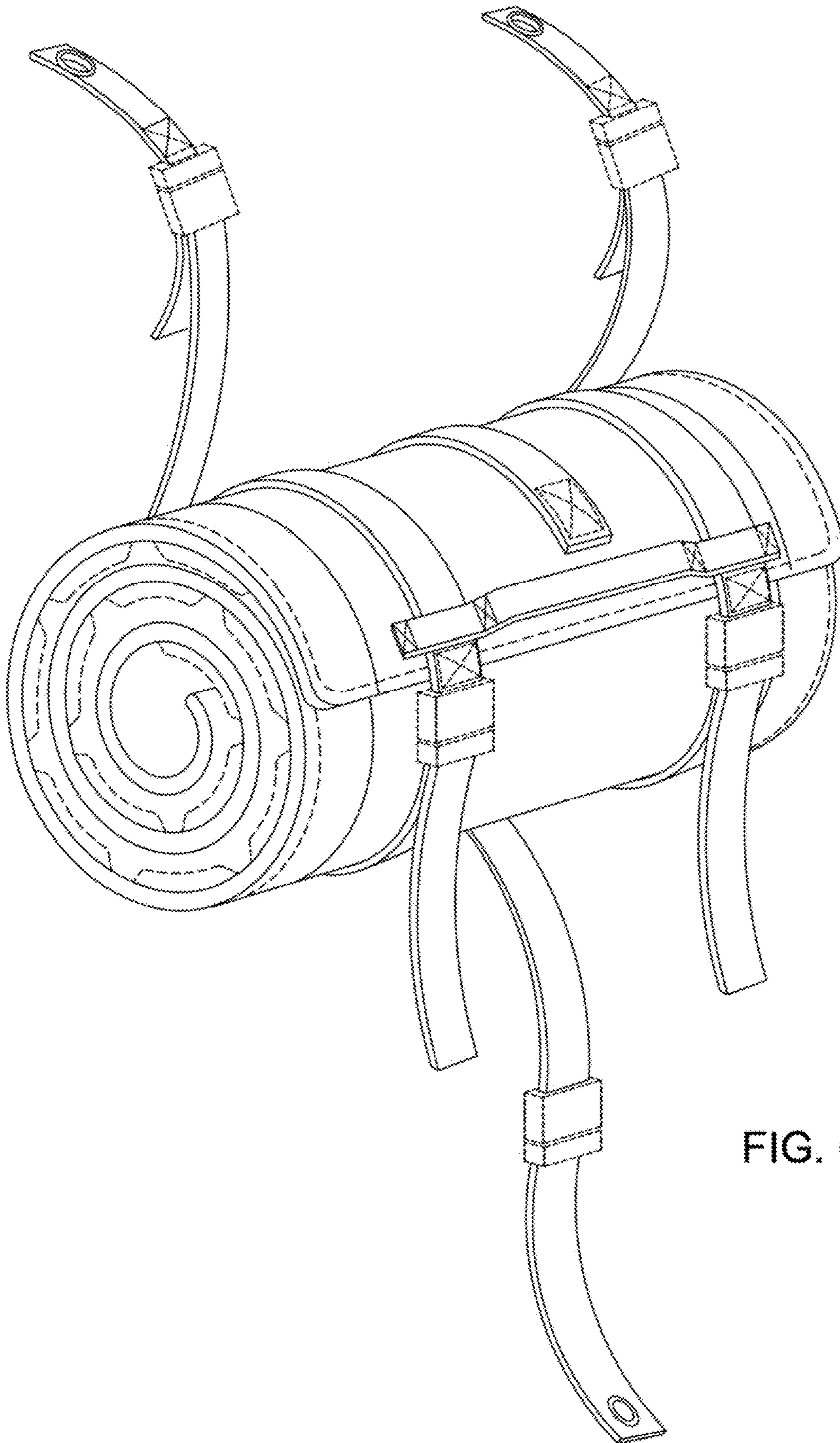


FIG. 6

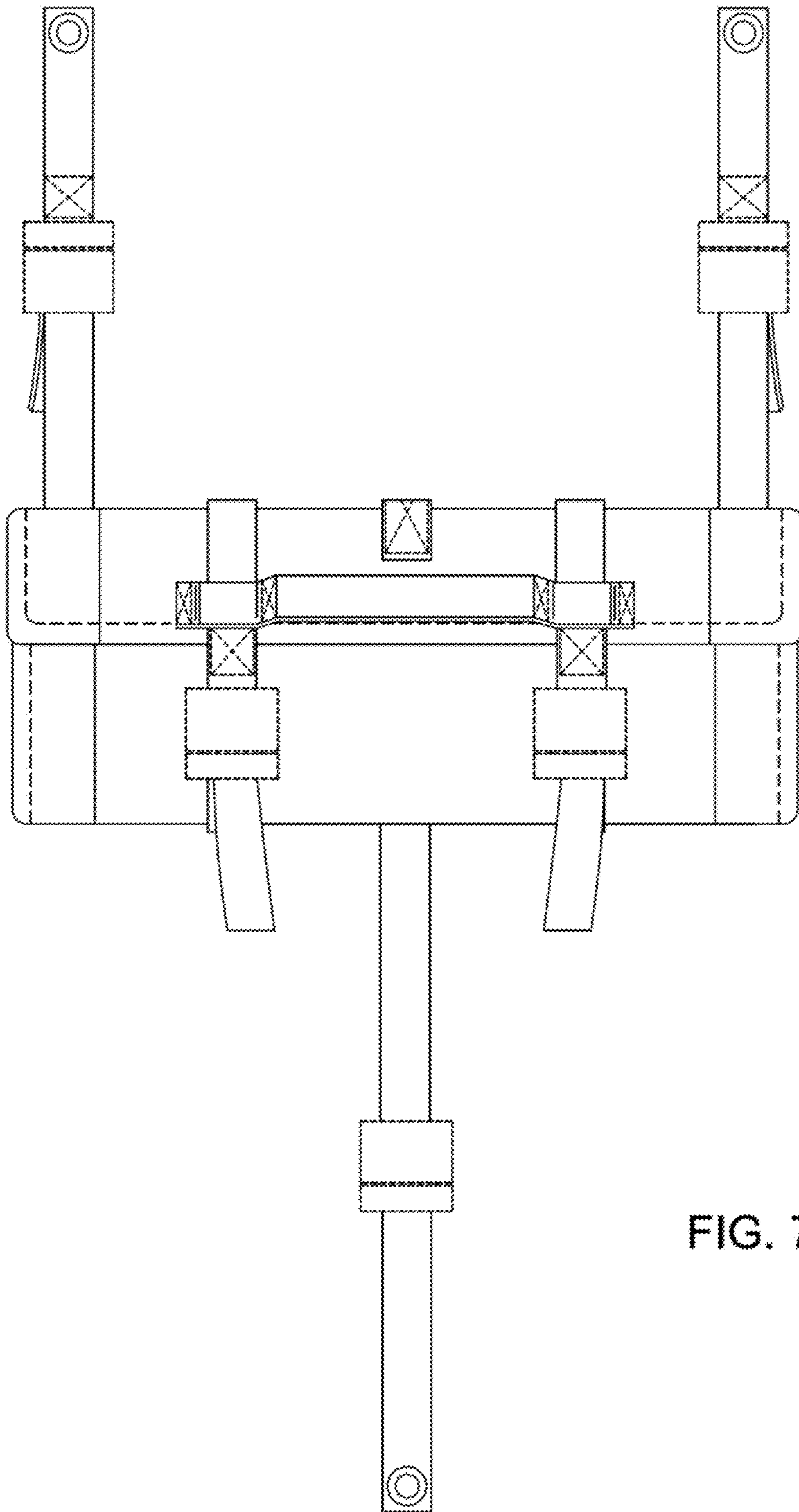


FIG. 7

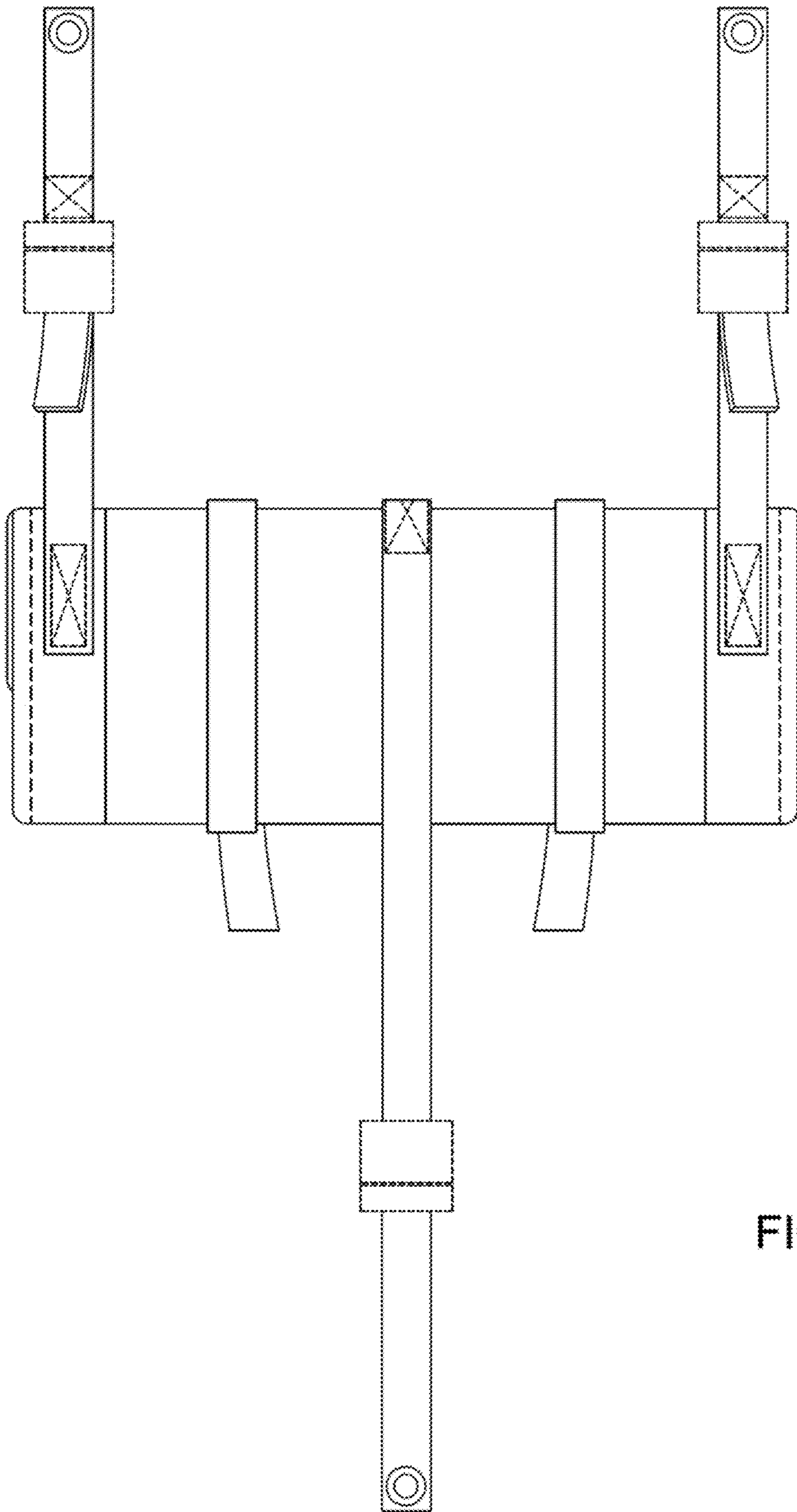


FIG. 8

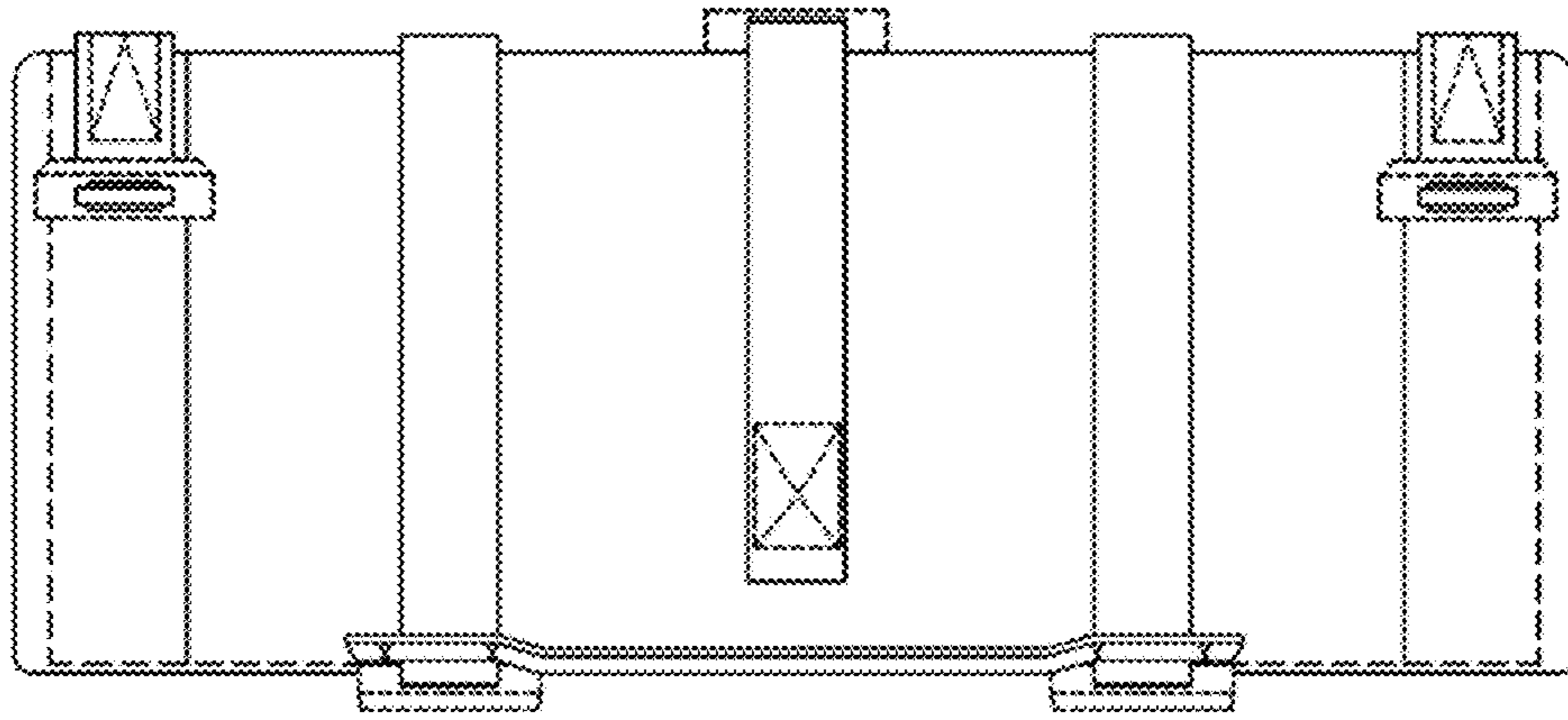


FIG. 9

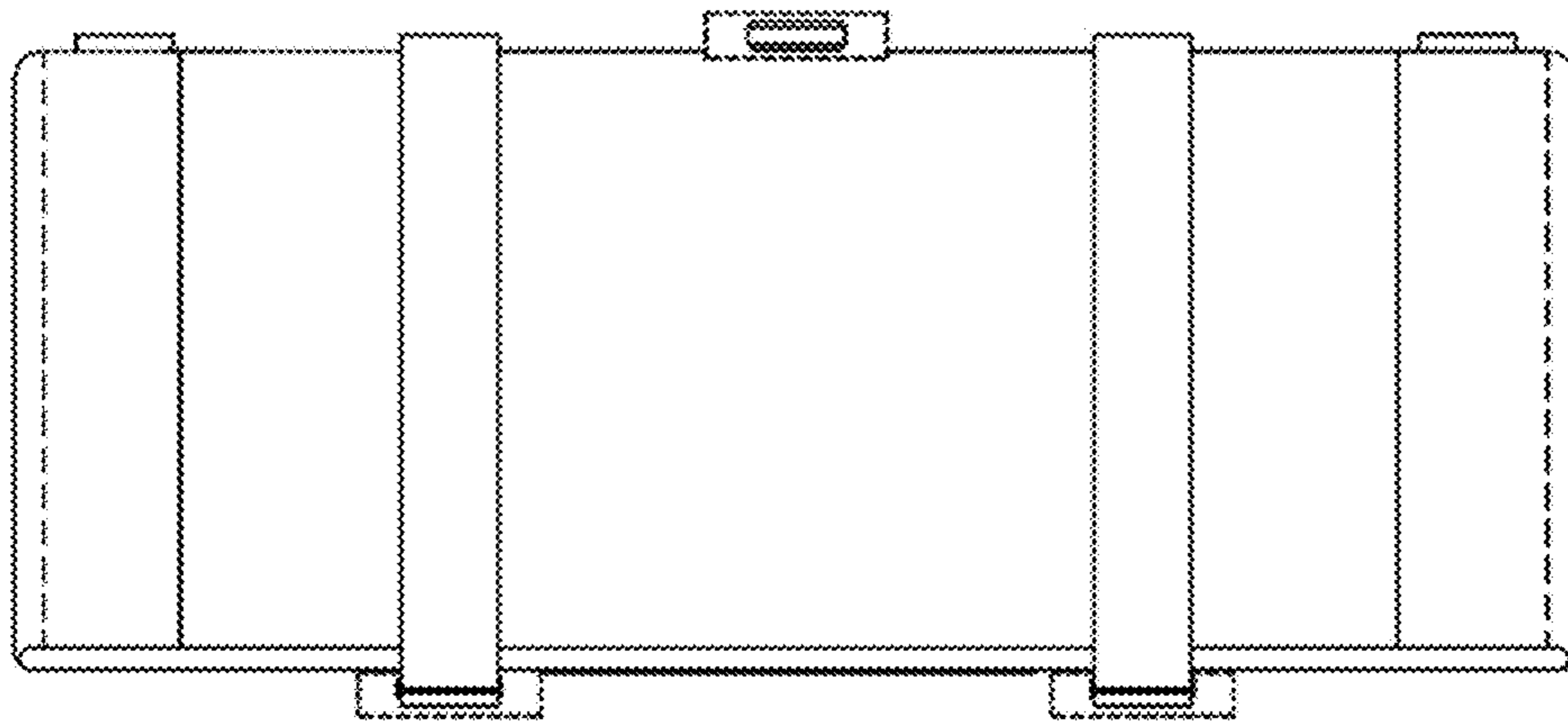


FIG. 10

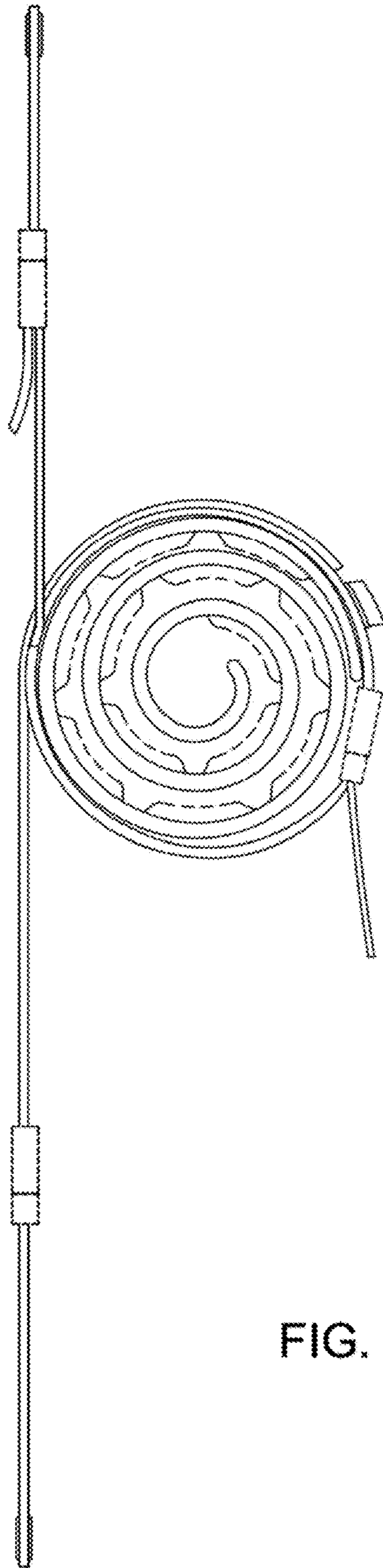


FIG. 11