



US00D893186S

(12) **United States Design Patent** (10) **Patent No.:** **US D893,186 S**
James (45) **Date of Patent:** **** Aug. 18, 2020**

(54) **CONTAINER**

(71) Applicant: **TerrAscend Corp.**, Mississauga (CA)

(72) Inventor: **Timothy James**, New York, NY (US)

(73) Assignee: **TerrAscend, Corp.** (CA)

(**) Term: **15 Years**

(21) Appl. No.: **29/678,662**

(22) Filed: **Jan. 30, 2019**

(30) **Foreign Application Priority Data**

Aug. 2, 2018 (CA) 182830

(51) **LOC (12) Cl.** **03-01**

(52) **U.S. Cl.**
USPC **D3/298**

(58) **Field of Classification Search**

USPC D3/200, 201, 203.1, 203.2, 204, 205,
D3/273-274, 276, 283, 284, 294-298,
D3/302, 315, 901, 903; D9/414, 418,
D9/420, 422-426, 428, 430, 432, 503,
D9/504; D27/172, 183, 184, 186, 187,
(Continued)

(56) **References Cited**

U.S. PATENT DOCUMENTS

2,534,100 A * 12/1950 Baumgartner A45D 40/00
220/345.4

D334,805 S 4/1993 Ivey
(Continued)

FOREIGN PATENT DOCUMENTS

CA 55028 9/1985
CA 123486 7/2009

(Continued)

OTHER PUBLICATIONS

No. 415: Crimson Sky—5 Pack Pre-Rolls, posted at solacehealth.com, no posting date, retrieved Jan. 15, 2020, online, URL: https://solacehealth.com/products/no-415-crimson-sky-5-pack-pre-rolls (Year: 2020).*

(Continued)

Primary Examiner — Lilyana Bekic

Assistant Examiner — Mary Shannon Malley

(74) *Attorney, Agent, or Firm* — Fox Rothschild LLP

(57) **CLAIM**

I claim the ornamental design for a container, as shown and described.

DESCRIPTION

FIG. 1 is a perspective view of the container, in a closed configuration.

FIG. 2 is a left view of the container of FIG. 1, in a closed configuration.

FIG. 3 is a right view of the container of FIG. 1, in a closed configuration.

FIG. 4 is a front view of the container of FIG. 1, in a closed configuration.

FIG. 5 is a rear view of the container of FIG. 1, in a closed configuration.

FIG. 6 is a top view of the container of FIG. 1, in a closed configuration.

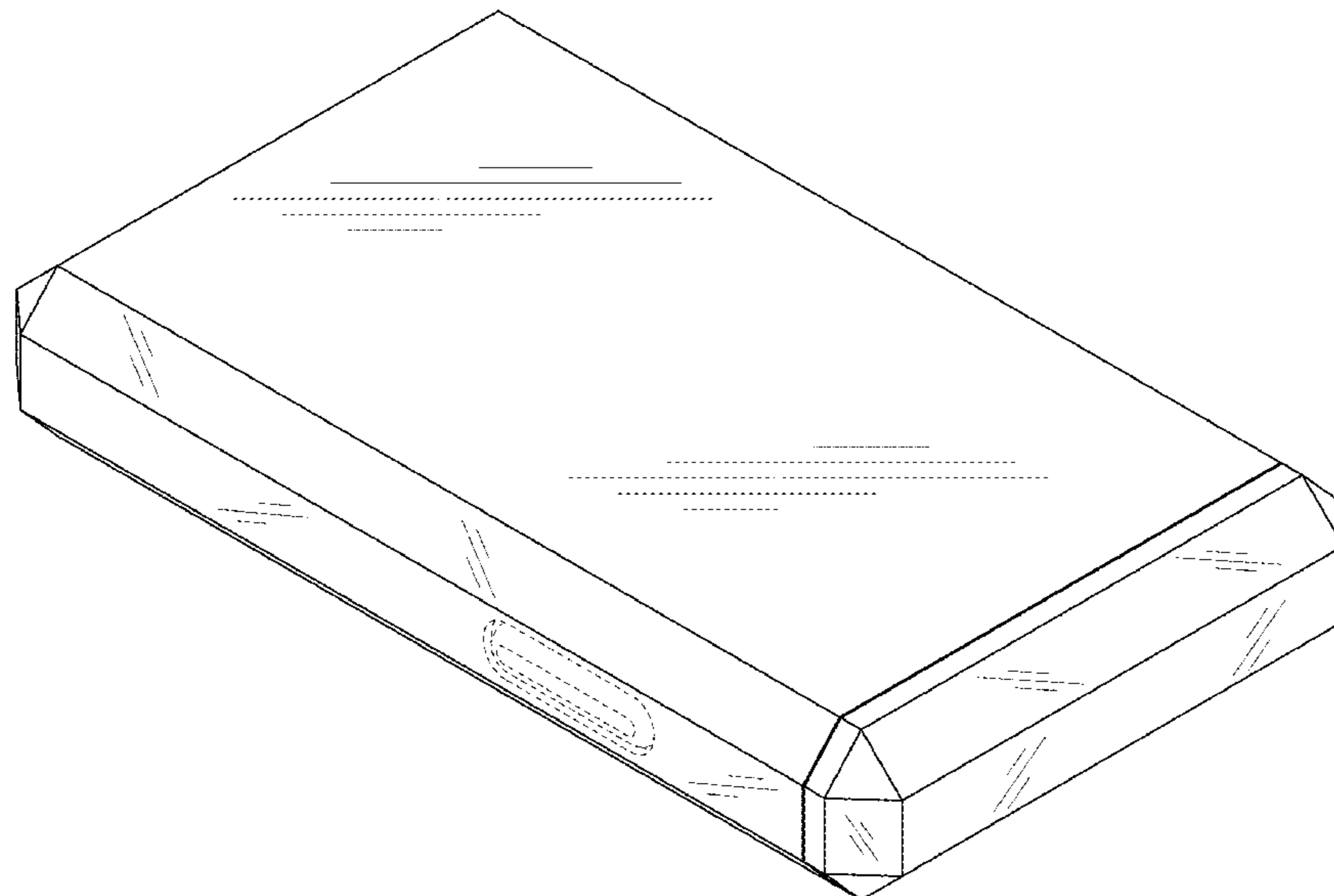
FIG. 7 is a bottom view of the container of FIG. 1, in a closed configuration.

FIG. 8 is a perspective view of the container of FIG. 1, in an open configuration; and,

FIG. 9 is a perspective view of the container of FIG. 1, in an open configuration, shown in an environment in which it may be used.

The broken lines in the drawings illustrate the portions of the container that form no part of the claimed design.

1 Claim, 7 Drawing Sheets



US D893,186 S

Page 2

(58) Field of Classification Search

USPC D27/189, 190, 191; D28/9, 73, 76, 78,
D28/82, 91; D6/659, 663, 667, 671.1;
206/6.1
CPC A45C 11/05; A45C 11/16; A45D 33/00;
A45D 33/003; A45D 33/006; A45D
44/02; A45D 44/04; A45D 33/20; A45D
2200/053; B65D 1/22; B65D 7/02; B65D
7/28; B65D 7/065; B65D 2585/00; B65D
2585/54; B65D 2585/545; A24F 15/12;
A24F 15/18; A24F 15/20
See application file for complete search history.

D617,184 S	6/2010	Sneva	
D620,369 S	7/2010	Servaire et al.	
D628,062 S	11/2010	Snedden et al.	
D628,474 S	12/2010	Snedden et al.	
D628,884 S	12/2010	Smith	
D633,805 S	3/2011	Servaire et al.	
D692,657 S *	11/2013	Hyma	D3/220
D695,520 S *	12/2013	Edwards	D3/294
D793,004 S *	7/2017	Liu	D27/189
D804,301 S	12/2017	Aono et al.	
D815,344 S *	4/2018	Smith	D27/189
D844,247 S *	3/2019	Zhou	D28/85
10,414,553 B2 *	9/2019	Ziering	B65D 85/10
2004/0206370 A1 *	10/2004	Byun	A45D 33/20 132/287

(56)

References Cited

U.S. PATENT DOCUMENTS

D339,744 S	9/1993	Seppala	
D379,552 S	5/1997	Vokebe	
D395,004 S	6/1998	Shamoon	
D407,972 S	4/1999	Hilton	
D432,418 S	10/2000	Saulas	
D439,840 S	4/2001	Saulas	
D446,718 S	8/2001	Anderson	
D464,566 S *	10/2002	Anchor	D9/432
D465,729 S	11/2002	Nishimura	
D478,280 S	8/2003	Miller et al.	
D478,282 S	8/2003	Hayes et al.	
D479,462 S	9/2003	Chan	
D484,409 S	12/2003	Haggerty et al.	
D485,749 S	1/2004	Zaksenberg et al.	
D498,139 S	11/2004	Haggerty et al.	
D503,827 S *	4/2005	Cahill	D27/189
D522,855 S	6/2006	Liebe et al.	
D535,184 S	1/2007	Tanner	
D535,185 S	1/2007	Tanner	
D545,187 S *	6/2007	Kutsch	D9/422
D595,125 S	6/2009	Doyle	
D603,092 S *	10/2009	Steinkamp	D27/189

FOREIGN PATENT DOCUMENTS

CA	127039	7/2009
CA	140438	11/2011
CA	144447	2/2013
CA	149622	2/2013
CA	149623	2/2013
CA	149624	2/2013
CA	149625	2/2013
CA	147450	2/2014
CA	152800	2/2014
CA	152801	2/2014
CA	165513	7/2016
CA	172359	2/2018
CA	179014	2/2018

OTHER PUBLICATIONS

Tineye reverse image search on NPL reference, first found Nov. 25, 2019, retrieved Jan. 15, 2020, online, URL:https://tineye.com/search/f6d6b780192ba9e736875be394e8c295f3aa4c40?page=3&sort=crawl_date&order=asc (Year: 2020).*

* cited by examiner

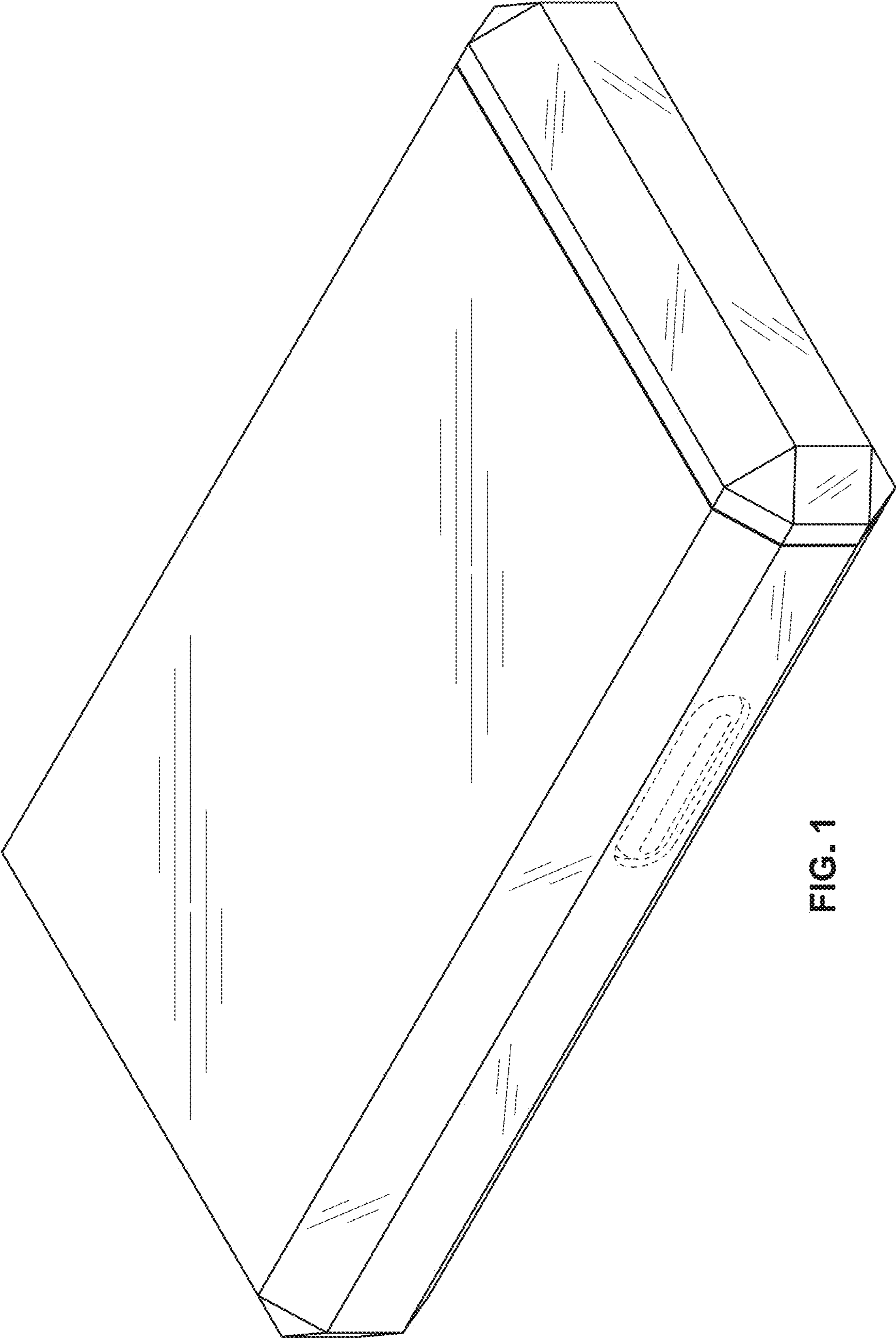


FIG. 1

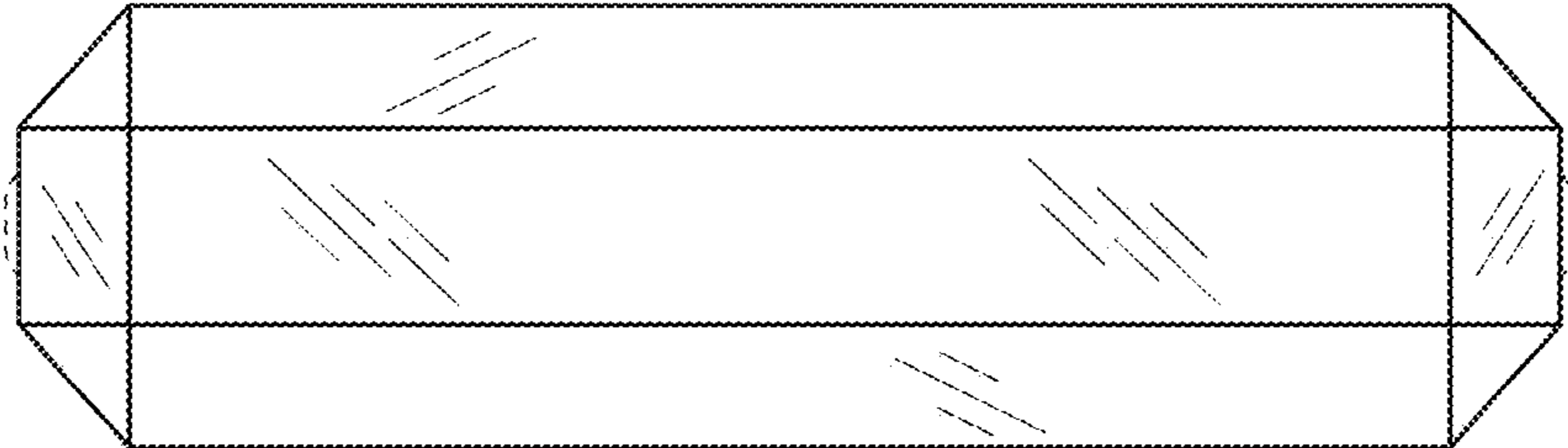


FIG. 2

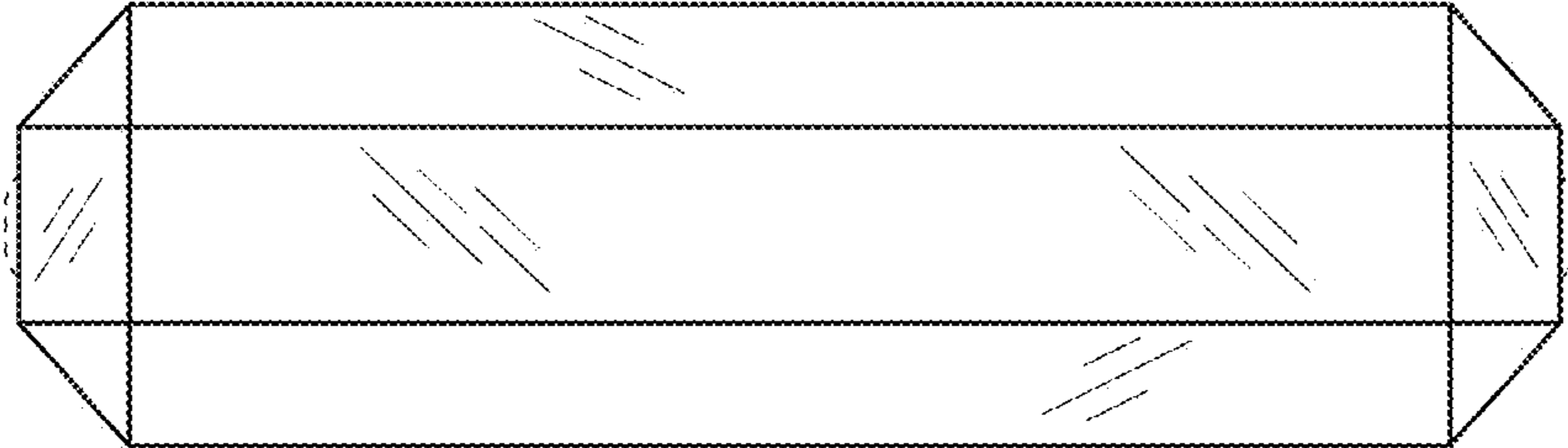


FIG. 3

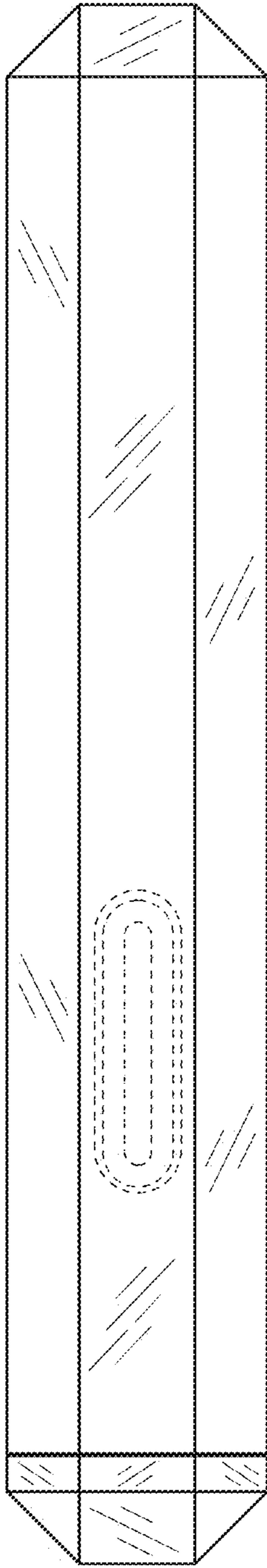


FIG. 4

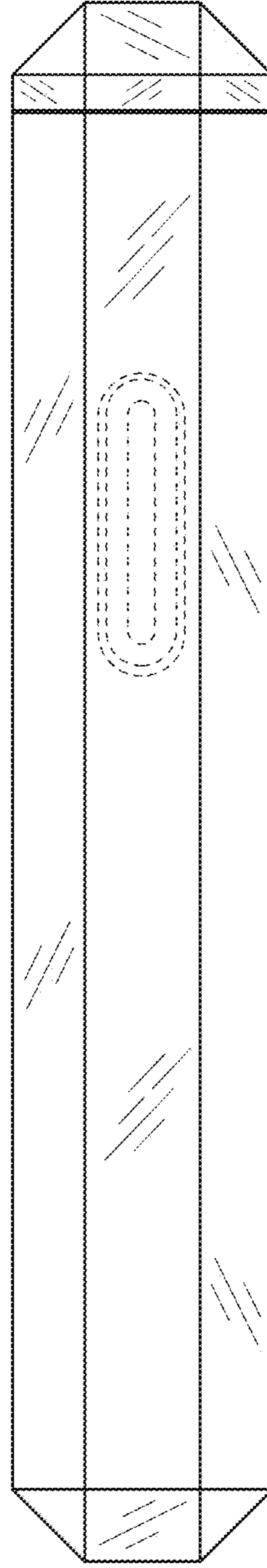


FIG. 5

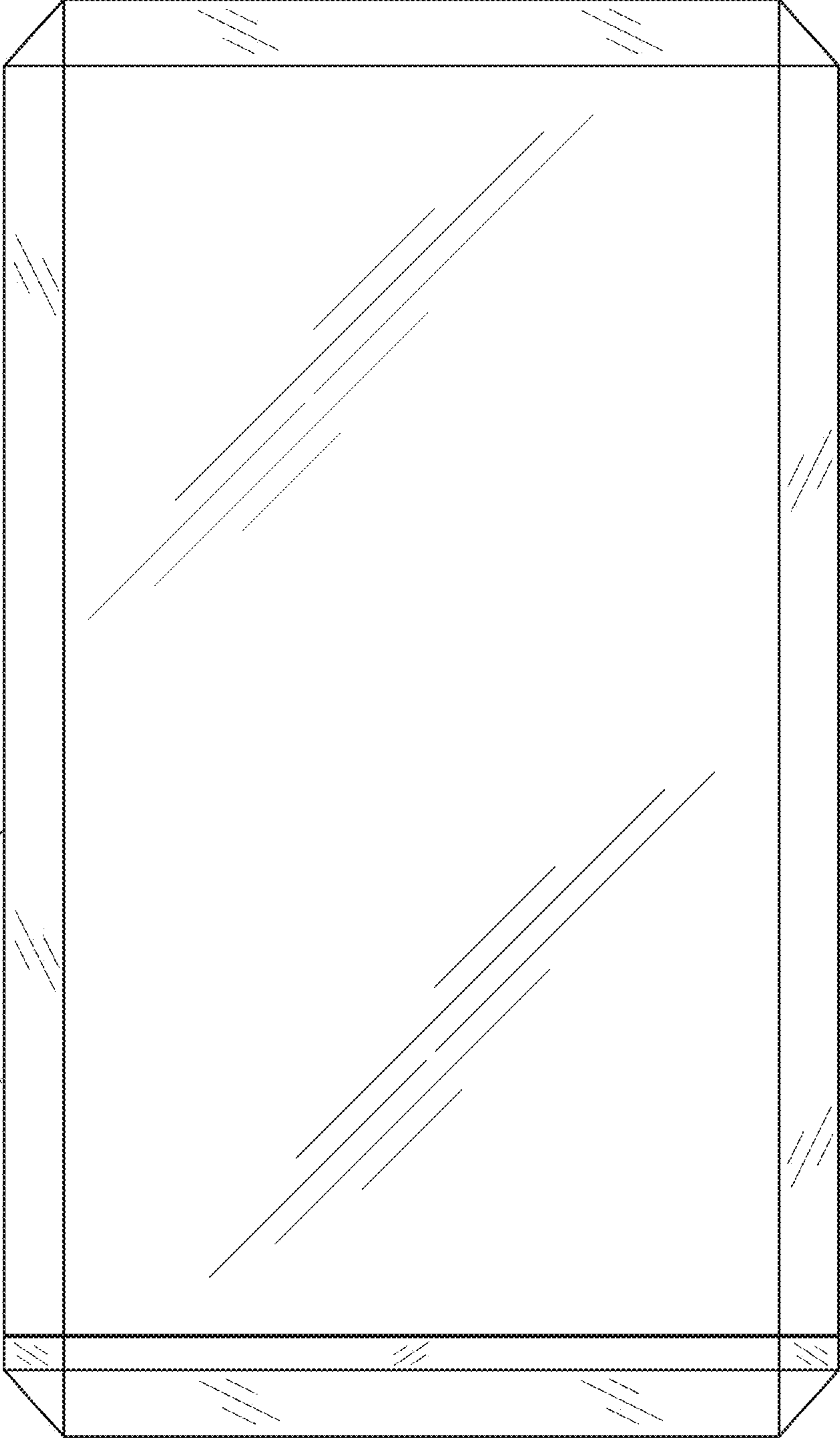


FIG. 6

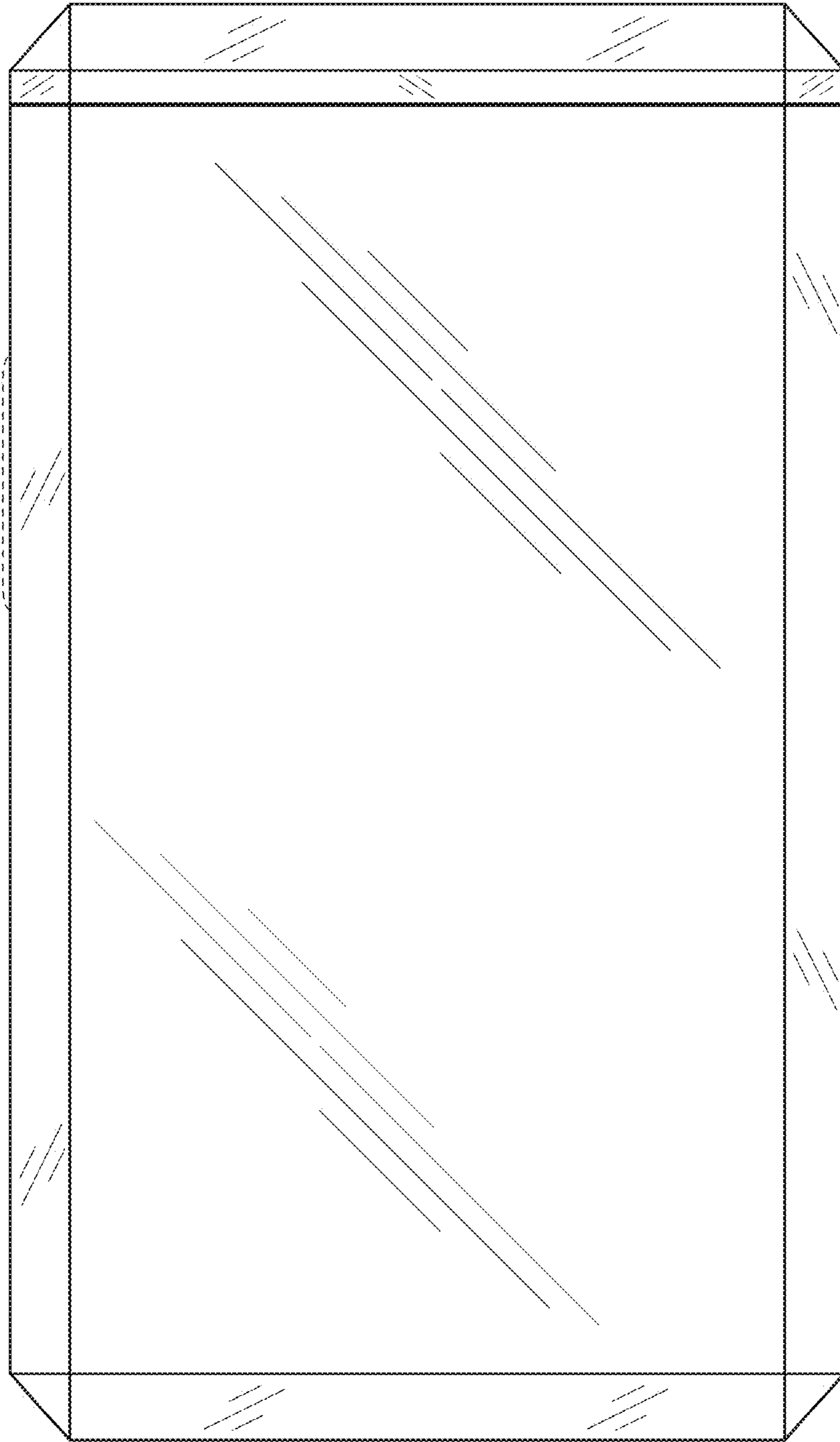


FIG. 7

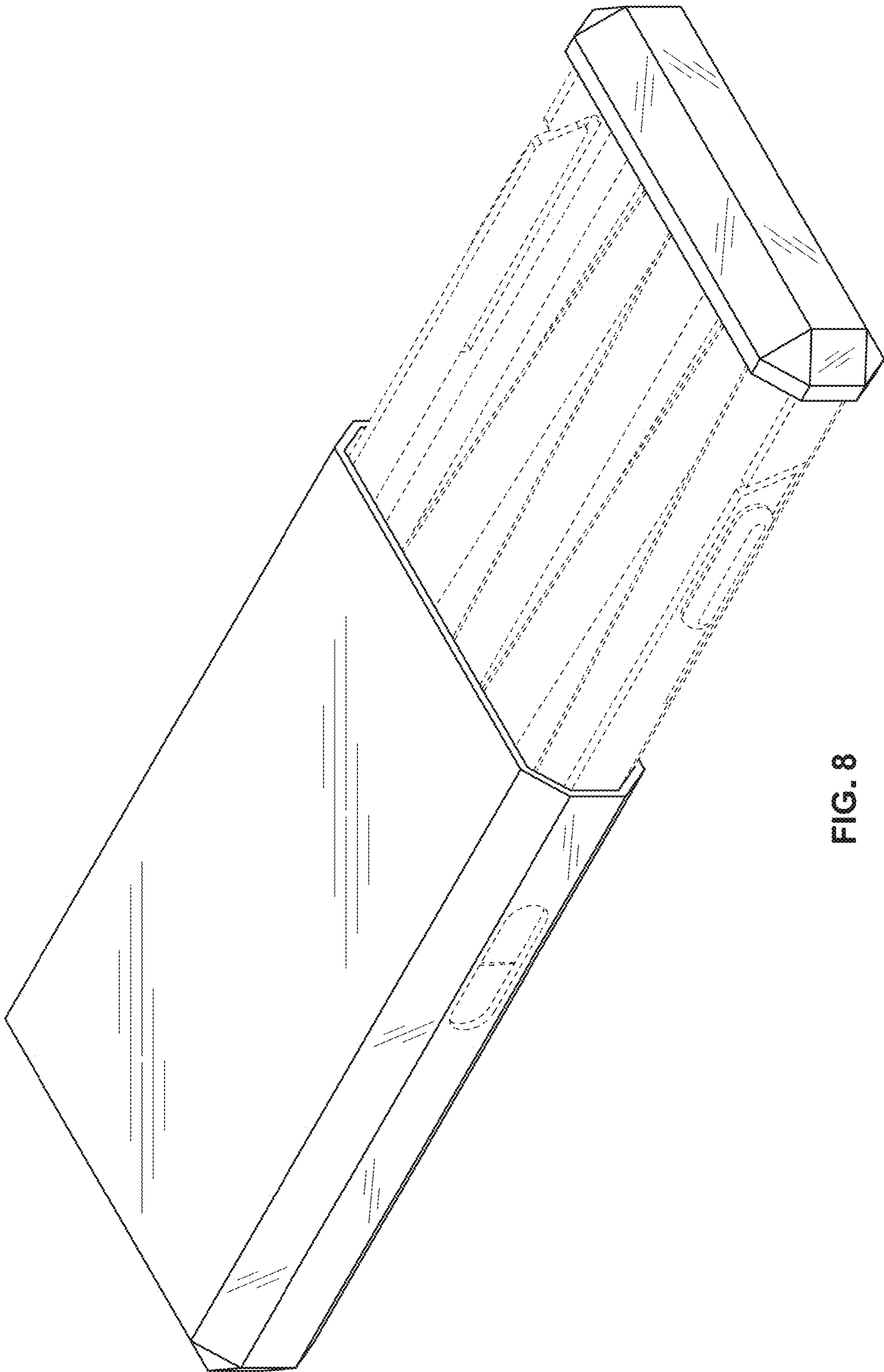


FIG. 8

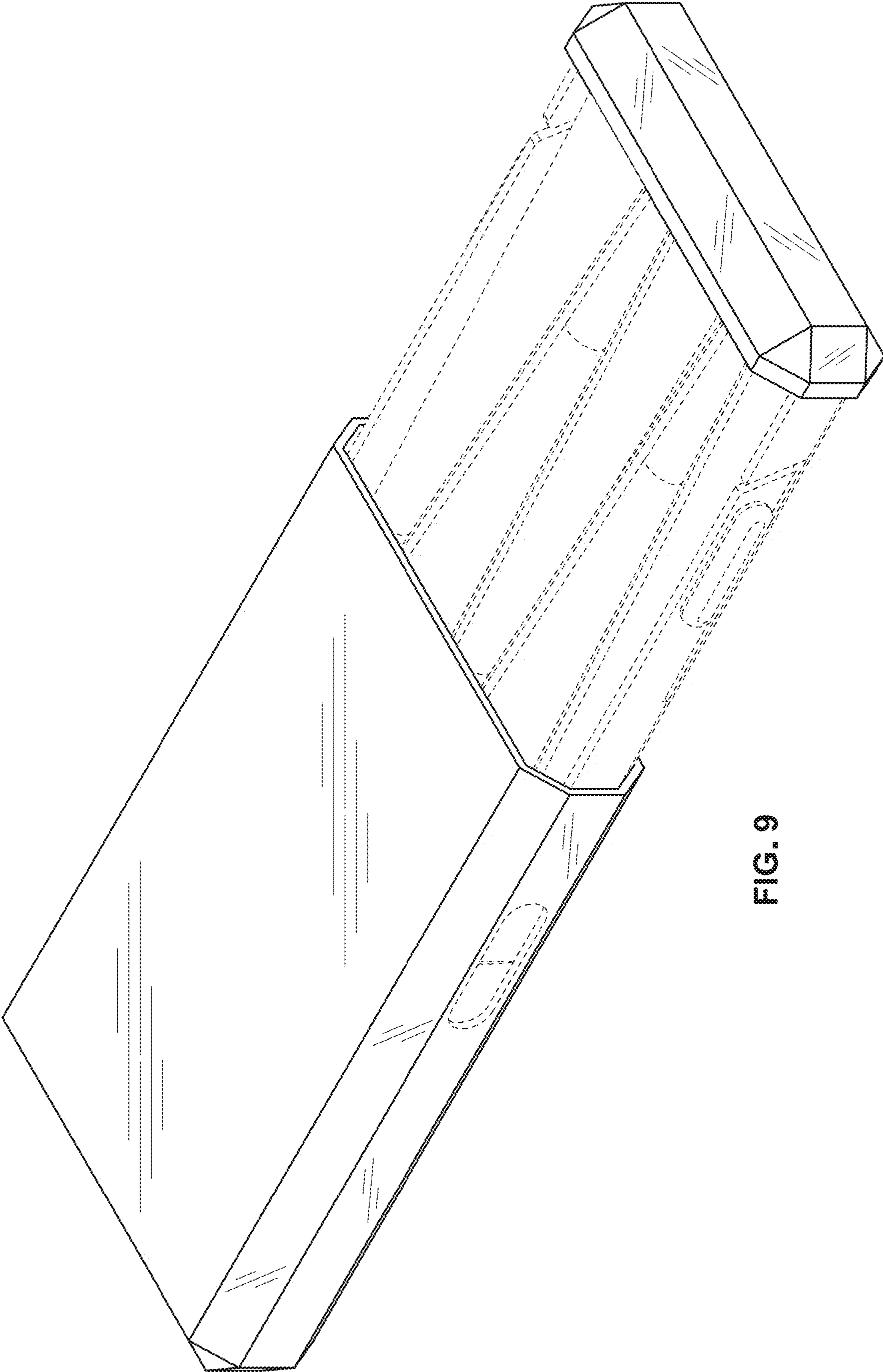


FIG. 9