



US00D893184S

(12) **United States Design Patent** (10) **Patent No.:** **US D893,184 S**
Liu (45) **Date of Patent:** **** Aug. 18, 2020**

(54) **EARPHONE CASE**

(71) Applicant: **Shenzhen Shengliansheng Technology Co., Ltd.**, Futian District, Shenzhen (CN)

(72) Inventor: **Huanjie Liu**, Shenzhen (CN)

(**) Term: **15 Years**

(21) Appl. No.: **29/727,088**

(22) Filed: **Mar. 9, 2020**

(30) **Foreign Application Priority Data**

Jan. 3, 2020 (CN) 2020 3 0002900

(51) **LOC (12) Cl.** **03-01**

(52) **U.S. Cl.**
USPC **D3/294**

(58) **Field of Classification Search**
USPC D3/273, 274, 294, 295; D13/108
CPC H04R 1/1025
See application file for complete search history.

(56) **References Cited**

U.S. PATENT DOCUMENTS

D548,970 S *	8/2007	Huang	D3/294
D818,268 S *	5/2018	Akana	D3/294
D826,152 S *	8/2018	Christiansen	D13/108
D838,480 S	1/2019	Son et al.		
D881,572 S *	4/2020	Wang	D3/294
D886,453 S *	6/2020	Wright	D3/294

OTHER PUBLICATIONS

Amazon, "Jabra Elite 65t Earbuds—Alexa Built-In, True Wireless Earbuds with Charging Case, Titanium Black—Bluetooth Earbuds

Engineered for the Best True Wireless Calls and Music Experience", First on sale Feb. 11, 2018. (<https://www.amazon.com/d/Earbud-Headphones/B077ZGRVRX>) (Year: 2018).*

* cited by examiner

Primary Examiner — April Rivas

(74) *Attorney, Agent, or Firm* — ZANIP

(57) **CLAIM**

The ornamental design for an earphone case, as shown and described.

DESCRIPTION

FIG. 1 is a front and top perspective view of an earphone case, showing my new design;
FIG. 2 is a rear and bottom perspective view thereof;
FIG. 3 is a front elevational view thereof;
FIG. 4 is a rear elevational view thereof;
FIG. 5 is a left side elevational view thereof;
FIG. 6 is a right side elevational view thereof;
FIG. 7 is a top plan view thereof;
FIG. 8 is a bottom plan view thereof; and,
FIG. 9 is a perspective view thereof, showing the earphone case in an open position.

The broken lines in the figures illustrate portions of the earphone case that form no part of the claimed design. The broken lines showing of a pair of earphones in FIG. 9 depict environmental structure and form no part of the claimed design.

1 Claim, 9 Drawing Sheets

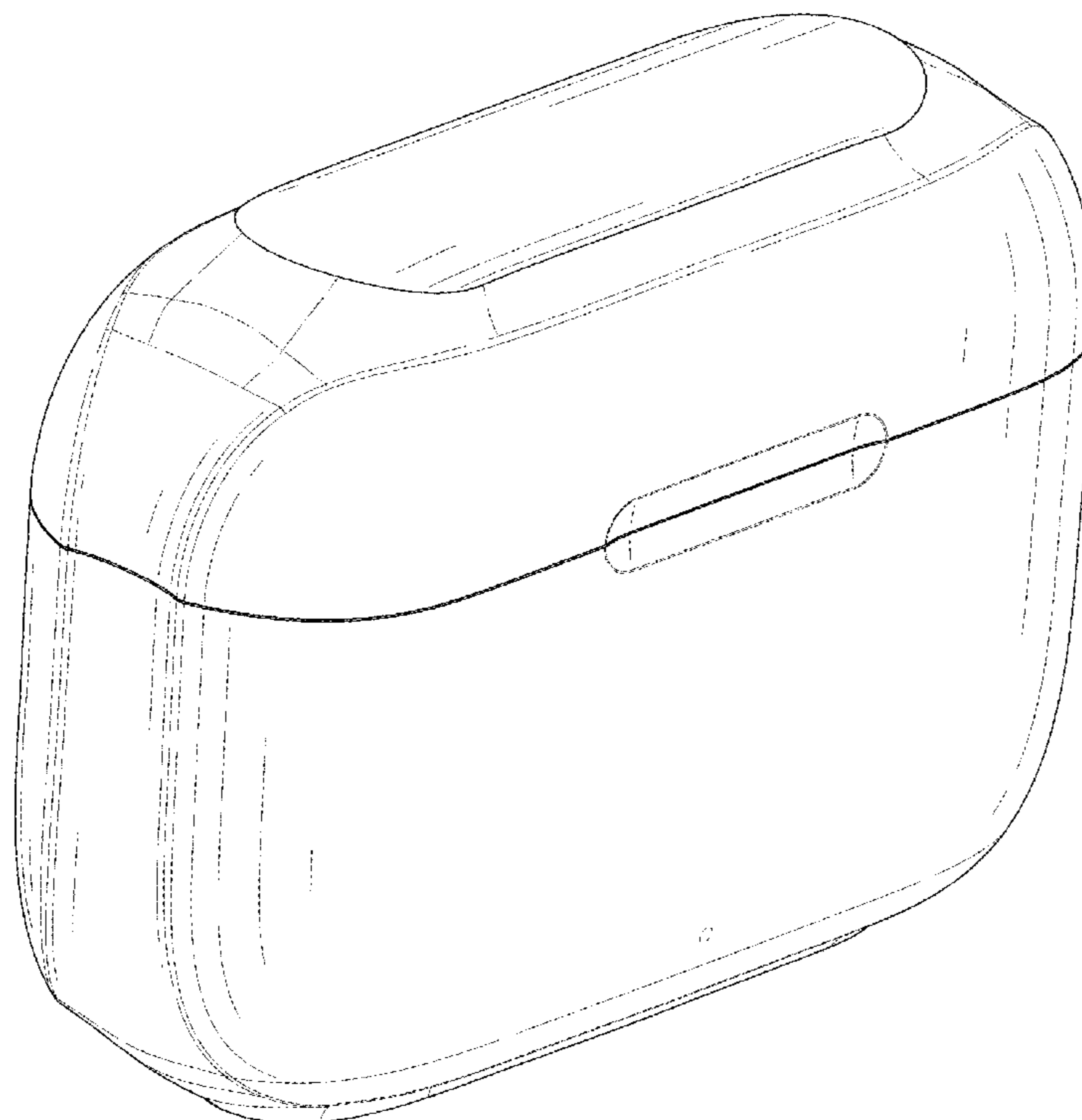




FIG. 1

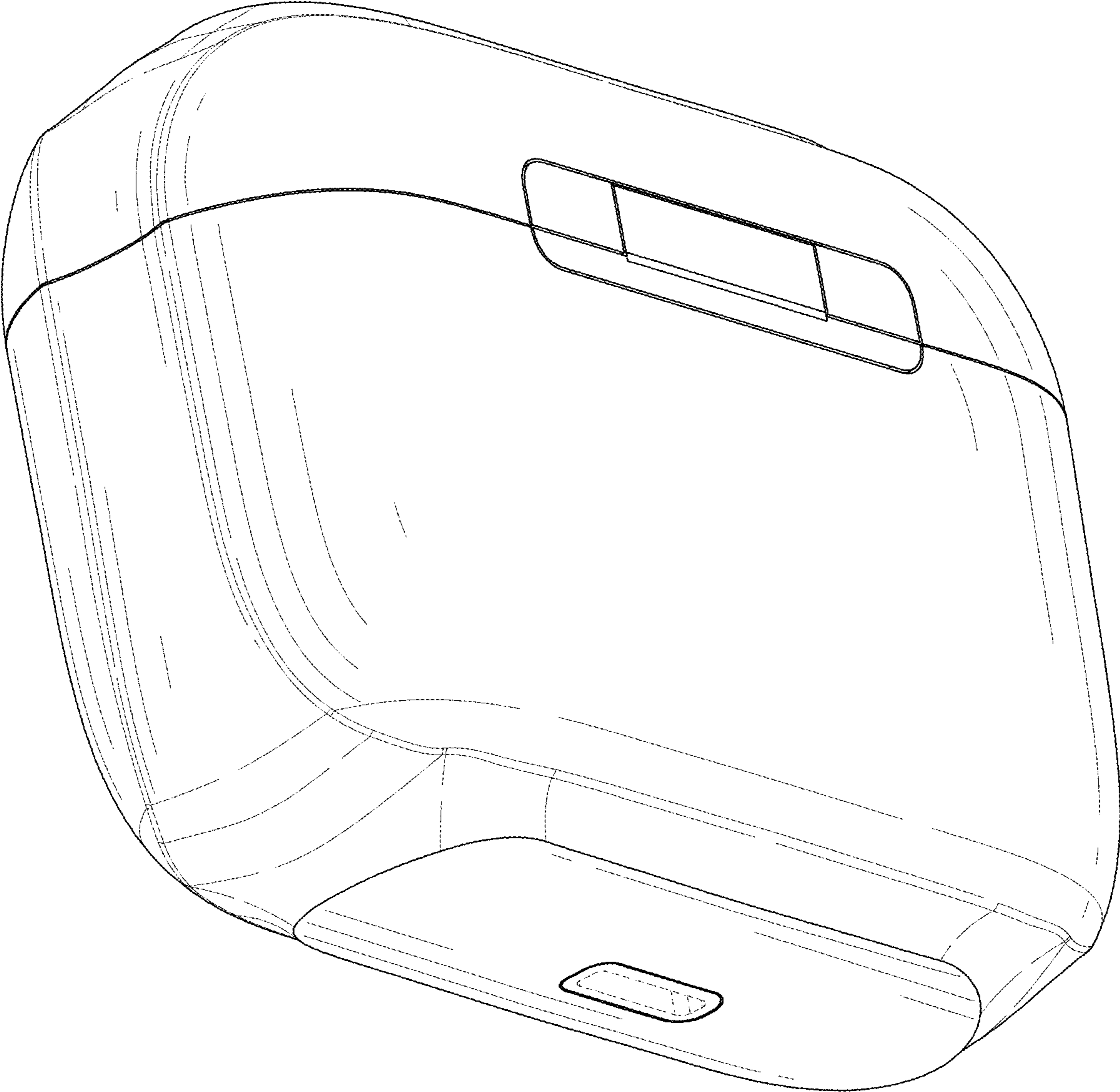


FIG. 2

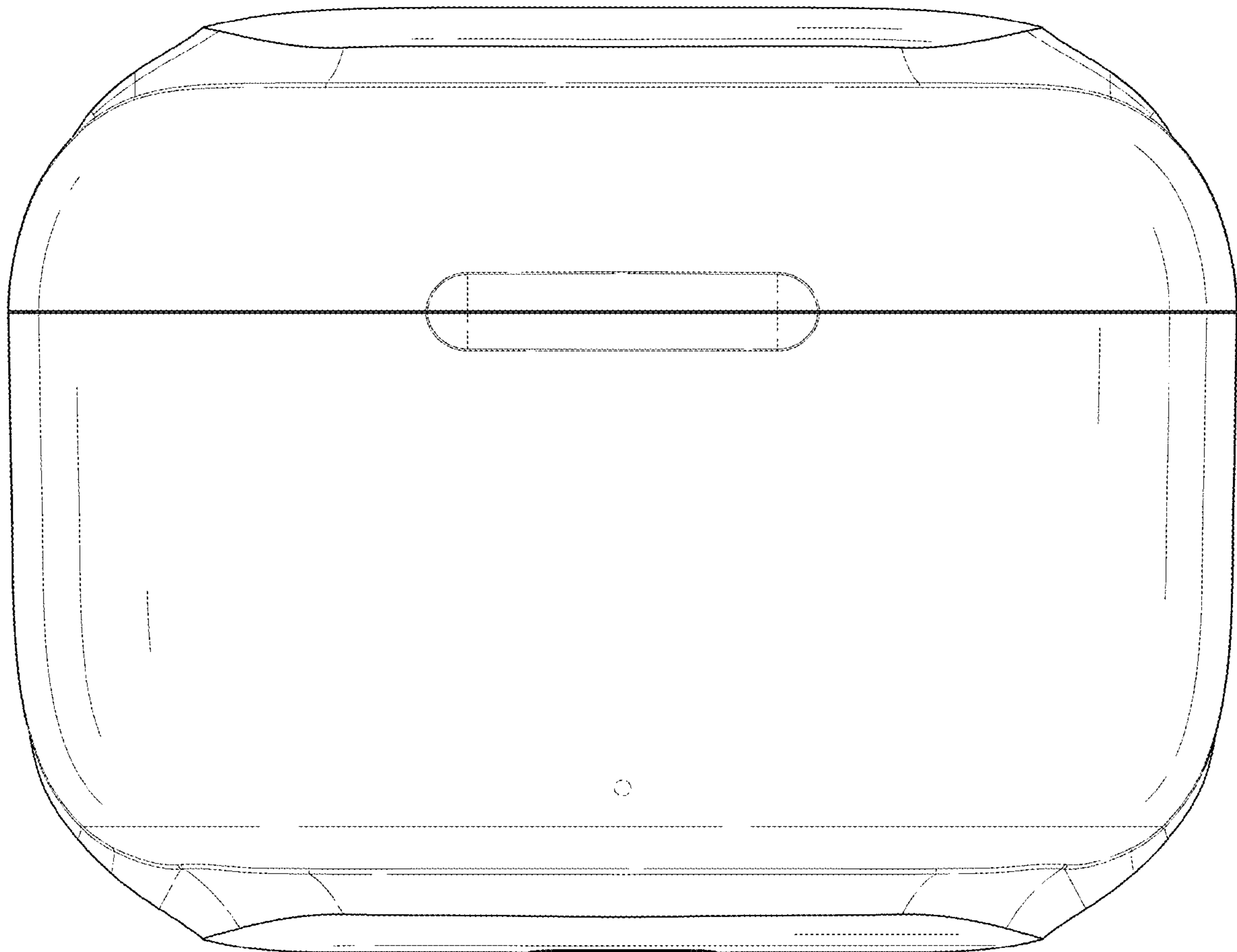


FIG. 3

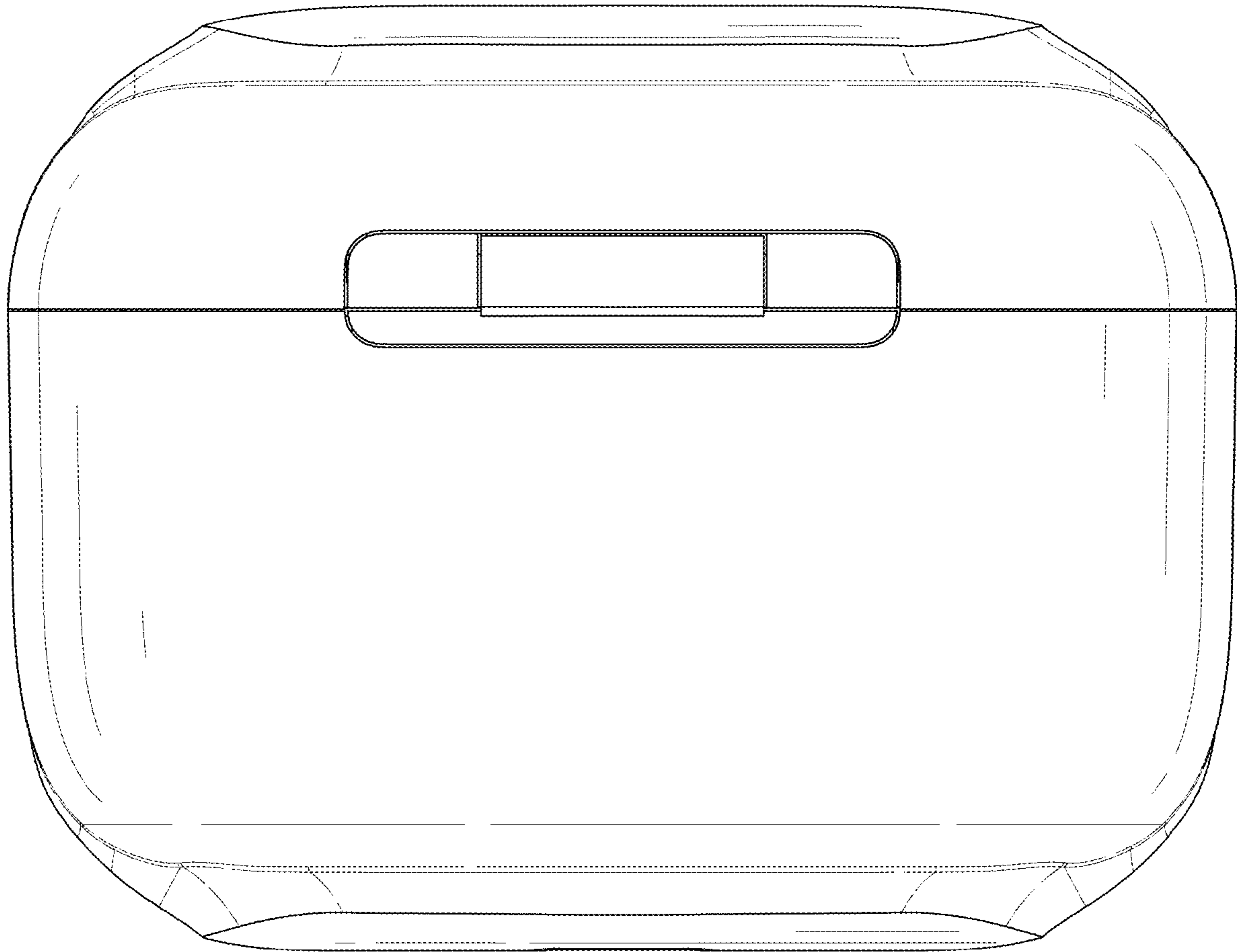


FIG. 4

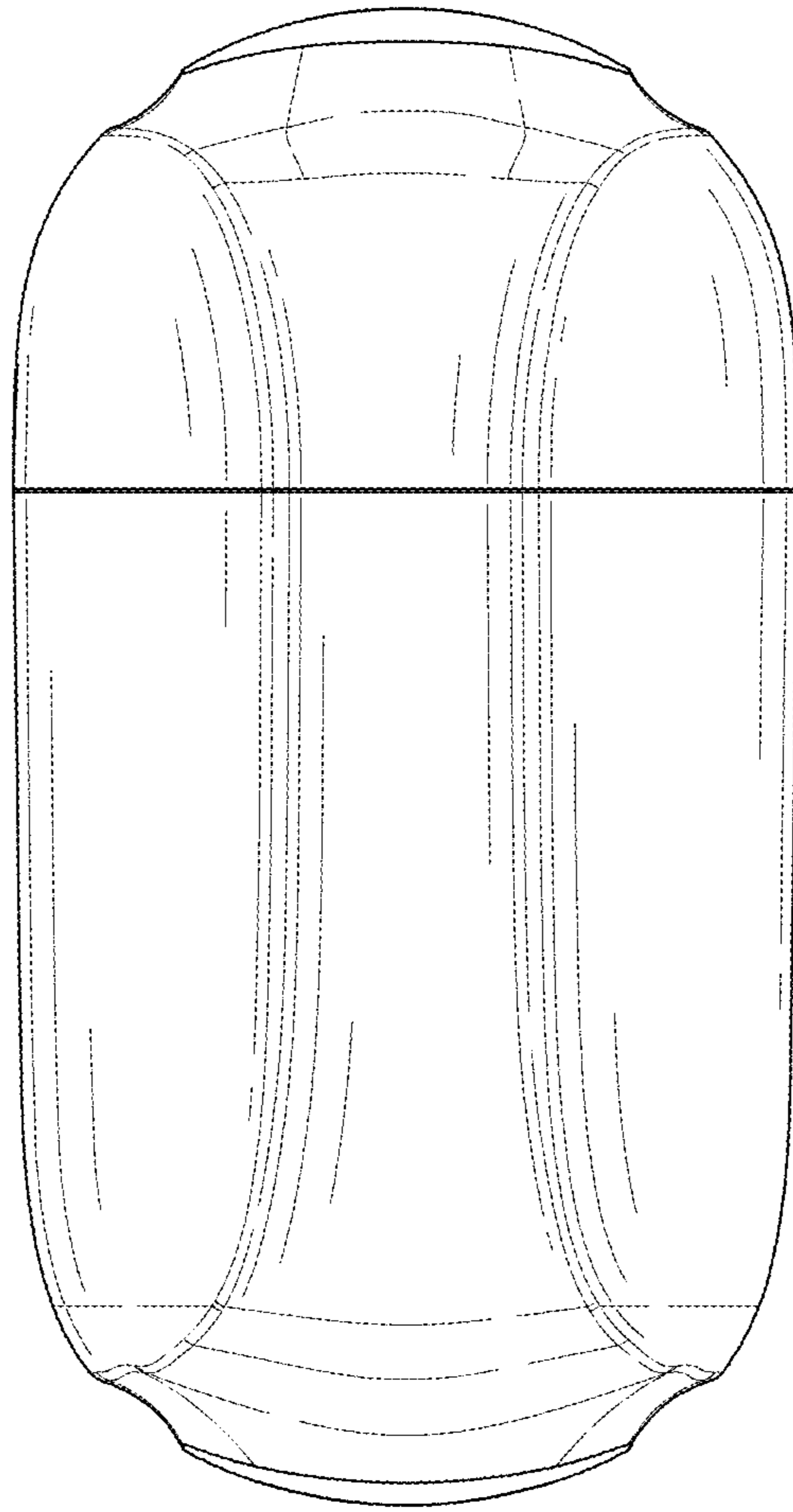


FIG. 5

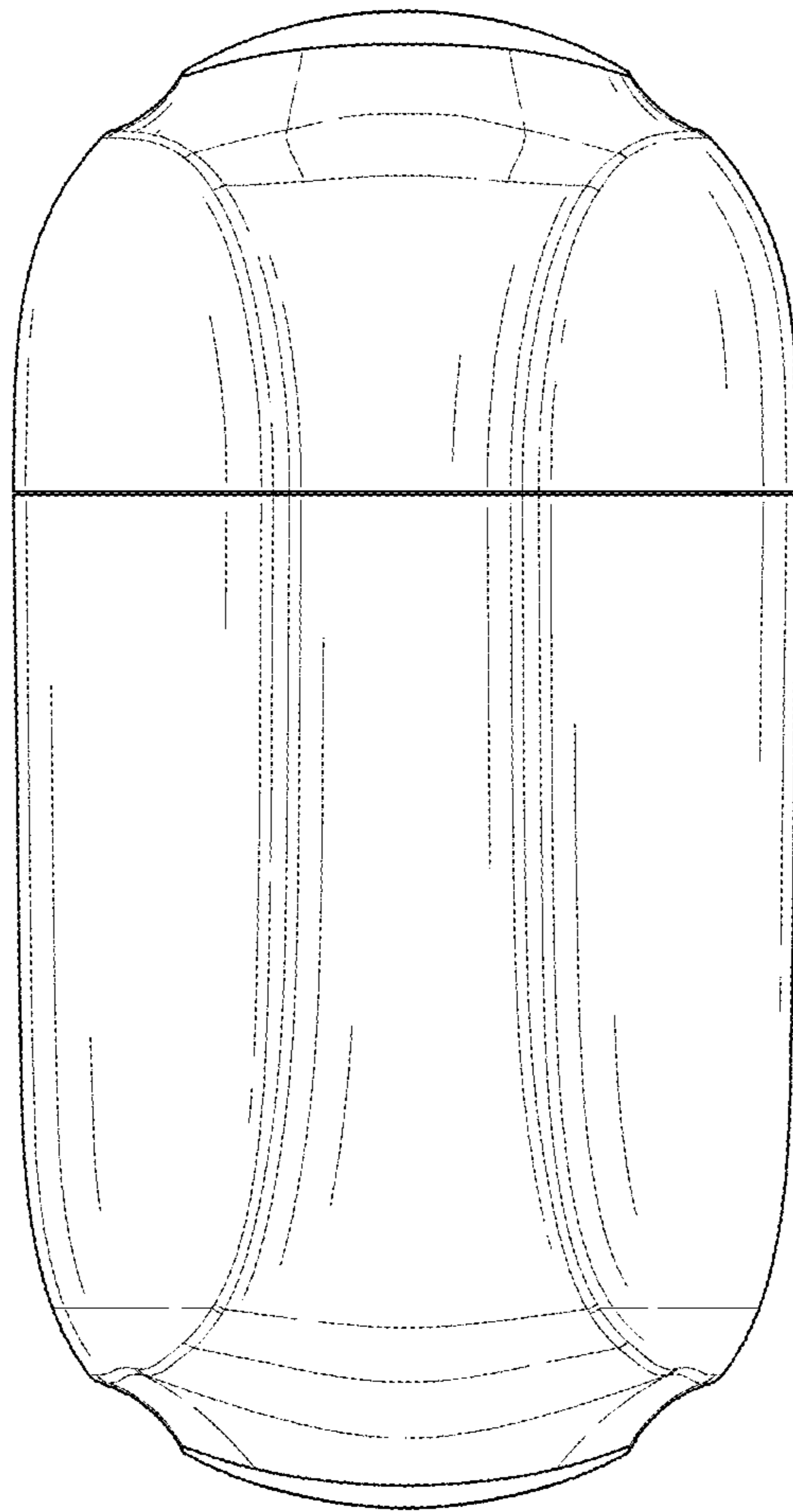


FIG. 6

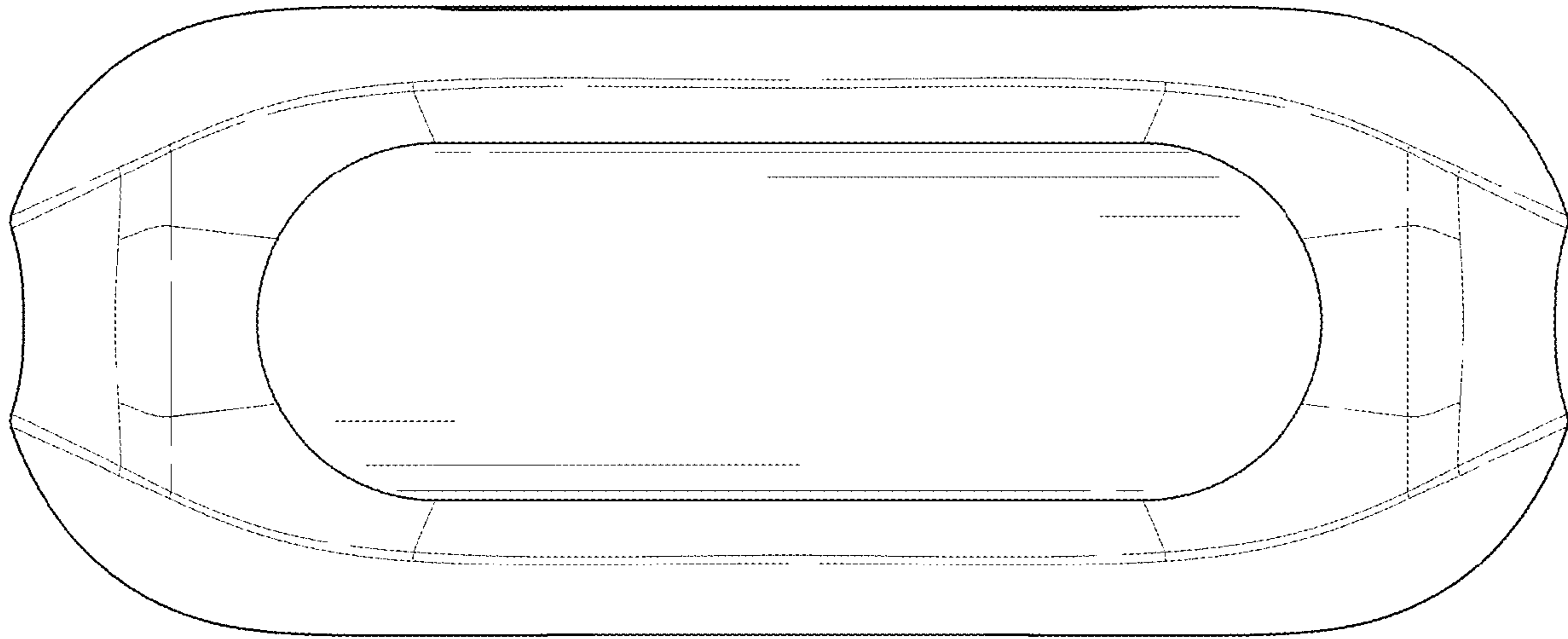


FIG. 7

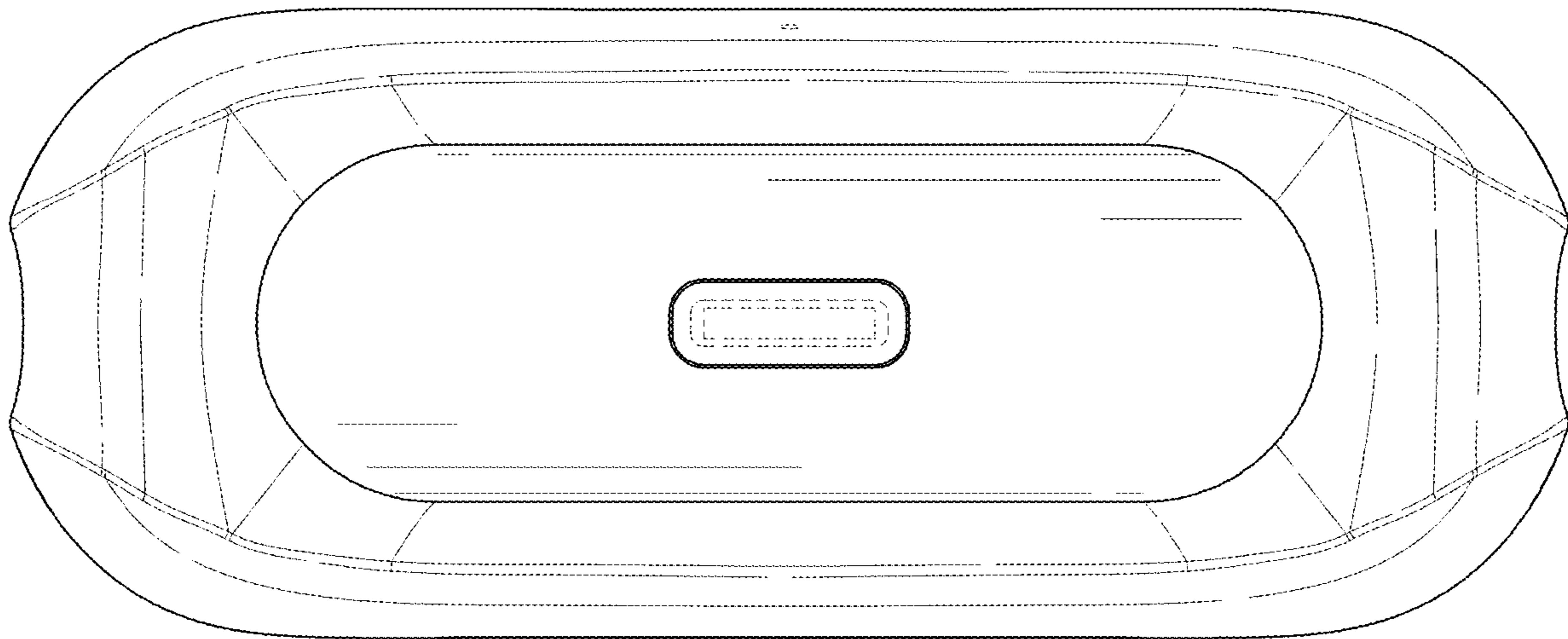


FIG. 8

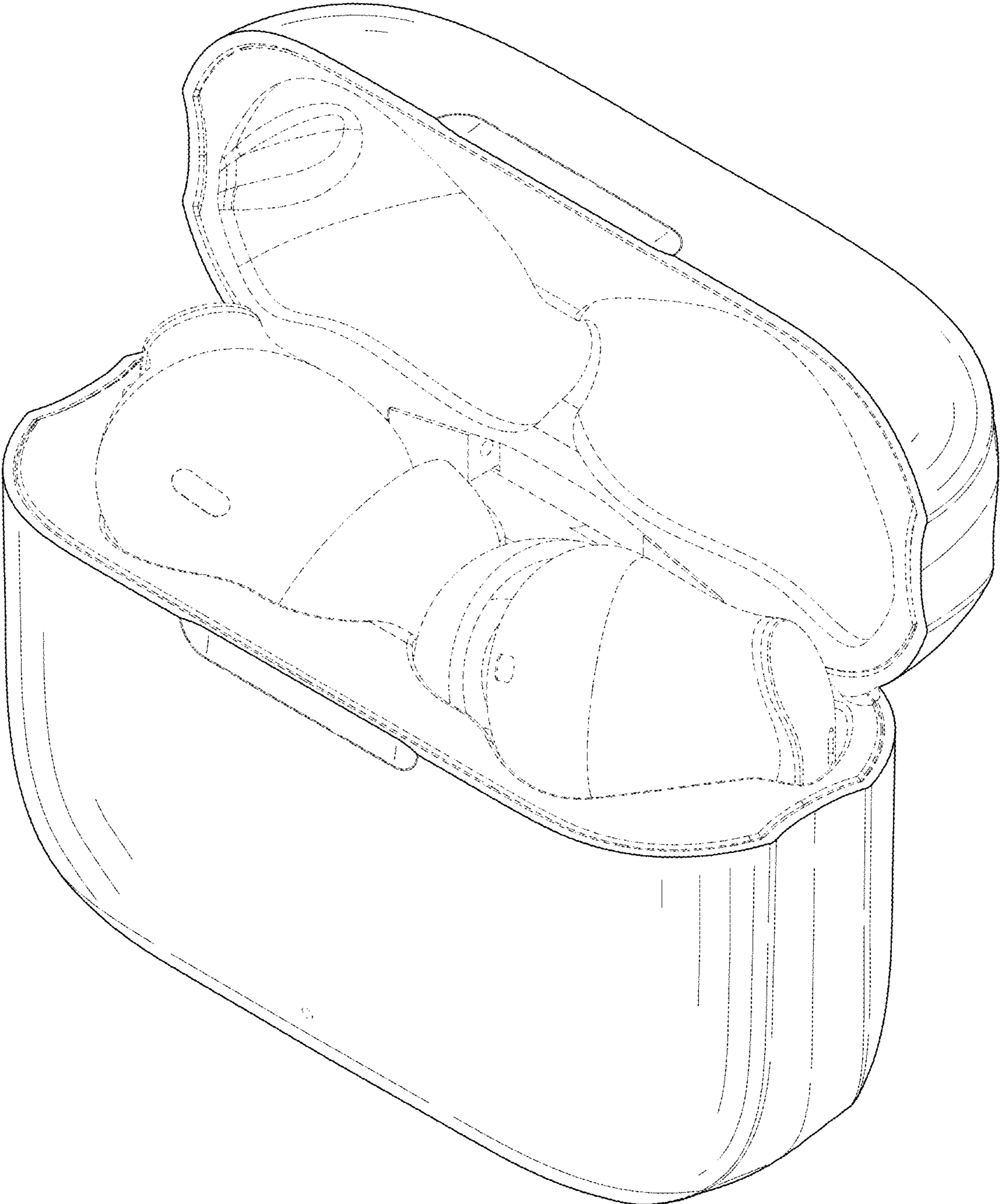


FIG. 9