



US00D893183S

(12) **United States Design Patent** (10) **Patent No.:** **US D893,183 S**
Eisenhardt et al. (45) **Date of Patent:** **** Aug. 18, 2020**

(54) **BAG**
(71) Applicant: **Milwaukee Electric Tool Corporation**,
Brookfield, WI (US)
(72) Inventors: **Scott D. Eisenhardt**, Milwaukee, WI
(US); **Grant T. Squiers**, Cudahy, WI
(US); **Zachary W. Richman**,
Milwaukee, WI (US)
(73) Assignee: **Milwaukee Electric Tool Corporation**,
Brookfield, WI (US)
(**) Term: **15 Years**
(21) Appl. No.: **29/666,169**
(22) Filed: **Oct. 10, 2018**
(51) **LOC (12) Cl.** **03-01**
(52) **U.S. Cl.**
USPC **D3/283**; D3/289; D3/905
(58) **Field of Classification Search**
USPC D3/203.2, 203.3, 203.6, 273, 279, 276,
D3/284, 294, 302, 905, 274, 281, 282,
(Continued)

(56) **References Cited**
U.S. PATENT DOCUMENTS
D371,052 S * 6/1996 Melk D7/607
D476,480 S * 7/2003 Hillman D3/263
(Continued)

OTHER PUBLICATIONS
Home Depot, "11 in. Packout Tech Tool Bag", First reviewed Dec.
1, 2018. (<https://www.homedepot.com/p/Milwaukee-11-in-PACKOUT-Tech-Tool-Bag-48-22-8300/307635153>) (Year: 2018).*

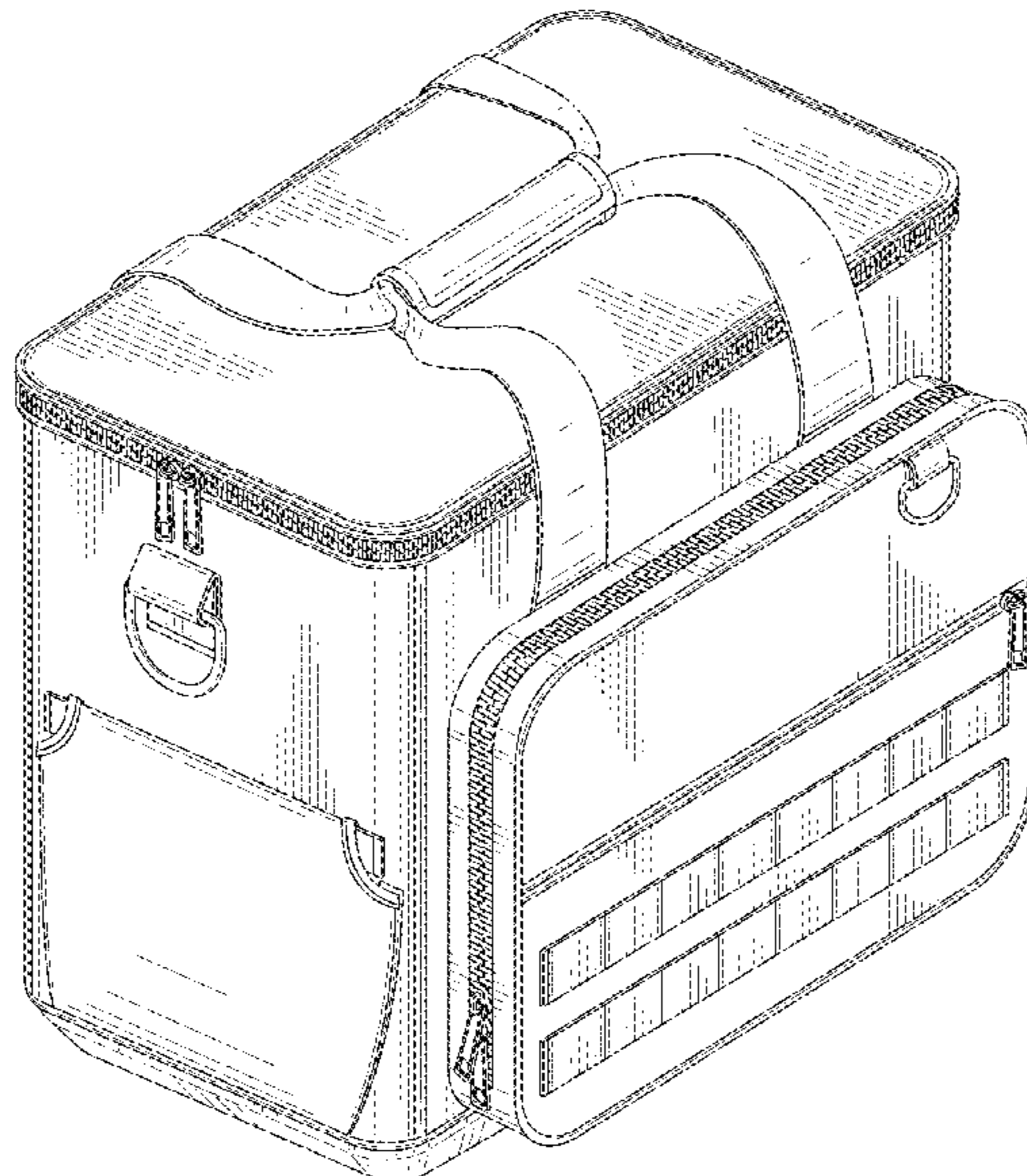
Primary Examiner — April Rivas

(74) *Attorney, Agent, or Firm* — Reinhart Boerner Van
Deuren s.c.

(57) **CLAIM**
We claim the ornamental design for a bag, as shown and
described.

DESCRIPTION
FIG. 1 is a perspective view from above of an embodiment
of the claimed design;
FIG. 2 is a perspective view from below of the claimed
design of FIG. 1;
FIG. 3 is a front view of the claimed design of FIG. 1;
FIG. 4 is a rear view of the claimed design of FIG. 1;
FIG. 5 is a right side view of the claimed design of FIG. 1;
FIG. 6 is a left side view of the claimed design of FIG. 1;
FIG. 7 is a top view of the claimed design of FIG. 1; and
FIG. 8 is a bottom view of the claimed design of FIG. 1.
FIG. 9 is a perspective view from above of another embodi-
ment of the claimed design;
FIG. 10 is a perspective view from below of the claimed
design of FIG. 9;
FIG. 11 is a front view of the claimed design of FIG. 9;
FIG. 12 is a rear view of the claimed design of FIG. 9;
FIG. 13 is a right side view of the claimed design of FIG. 9;
FIG. 14 is a left side view of the claimed design of FIG. 9;
FIG. 15 is a top view of the claimed design of FIG. 9; and
FIG. 16 is a bottom view of the claimed design of FIG. 9.
FIG. 17 is a perspective view from above of another
embodiment of the claimed design;
FIG. 18 is a perspective view from below of the claimed
design of FIG. 17;
FIG. 19 is a front view of the claimed design of FIG. 17;
FIG. 20 is a rear view of the claimed design of FIG. 17;
FIG. 21 is a right side view of the claimed design of FIG. 17;
FIG. 22 is a left side view of the claimed design of FIG. 17;
FIG. 23 is a top view of the claimed design of FIG. 17; and,
FIG. 24 is a bottom view of the claimed design of FIG. 17.
The broken lines illustrate portions of the bag and form no
part of the claimed design.

1 Claim, 21 Drawing Sheets



(58) **Field of Classification Search**

USPC D3/283, 295, 321, 319, 243, 299, 267,
D3/271.1

CPC B25H 3/00; B25H 3/003; B25H 3/006;
B25H 3/02; A45C 5/00; A45C 13/00;
A45C 15/00; A45C 13/29

See application file for complete search history.

(56) **References Cited**

U.S. PATENT DOCUMENTS

D648,532 S *	11/2011	Sosnovsky	D3/283
D765,967 S *	9/2016	Boroski	D3/232
D766,571 S *	9/2016	Boroski	D3/232
D824,671 S *	8/2018	Pennington	D3/283
D825,921 S *	8/2018	Pennington	D3/283
D834,817 S *	12/2018	Hoppe	D3/263
D838,971 S *	1/2019	Deanda	D3/203.6
D845,625 S *	4/2019	Barlier	D3/283

* cited by examiner

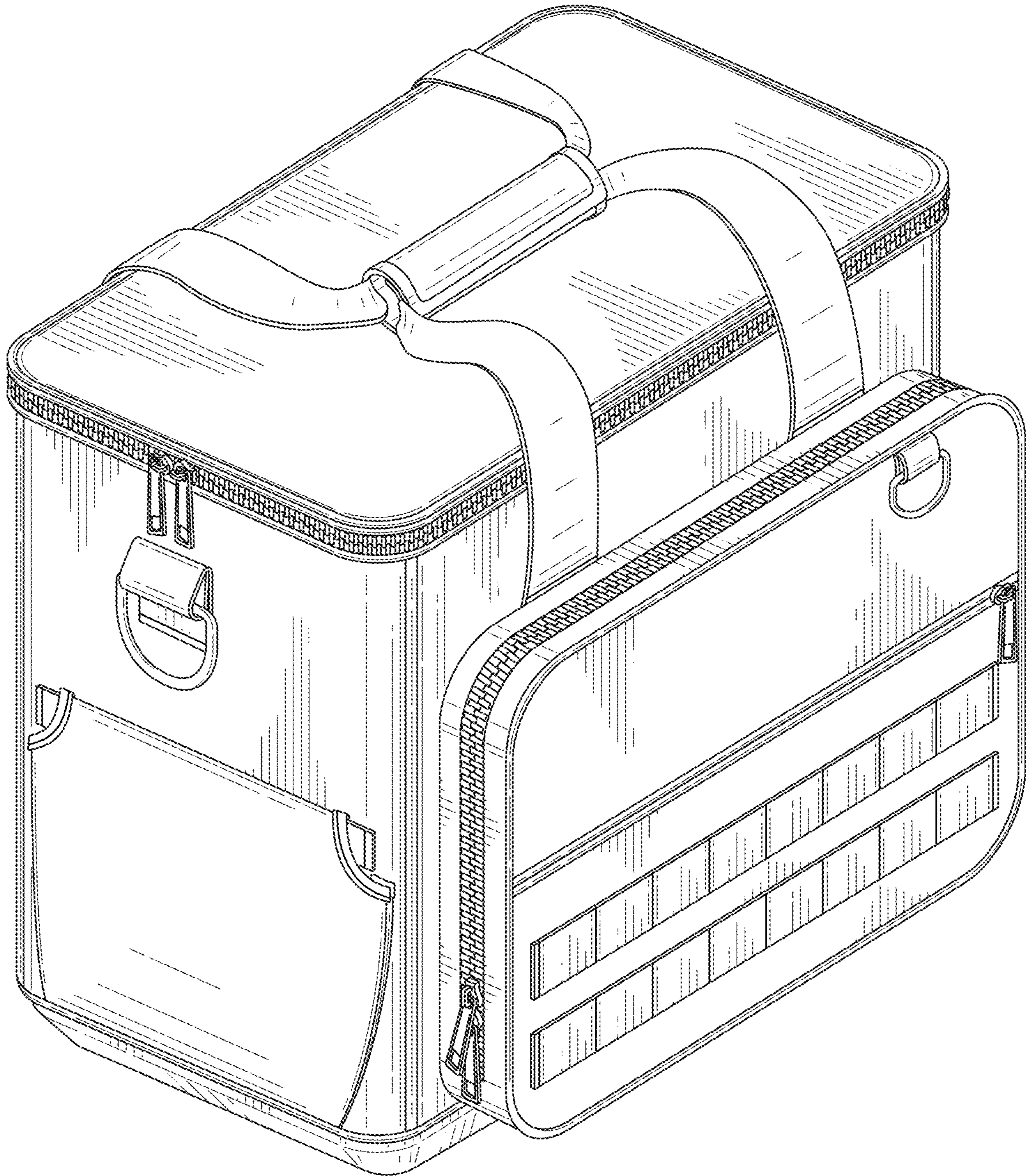


FIG. 1

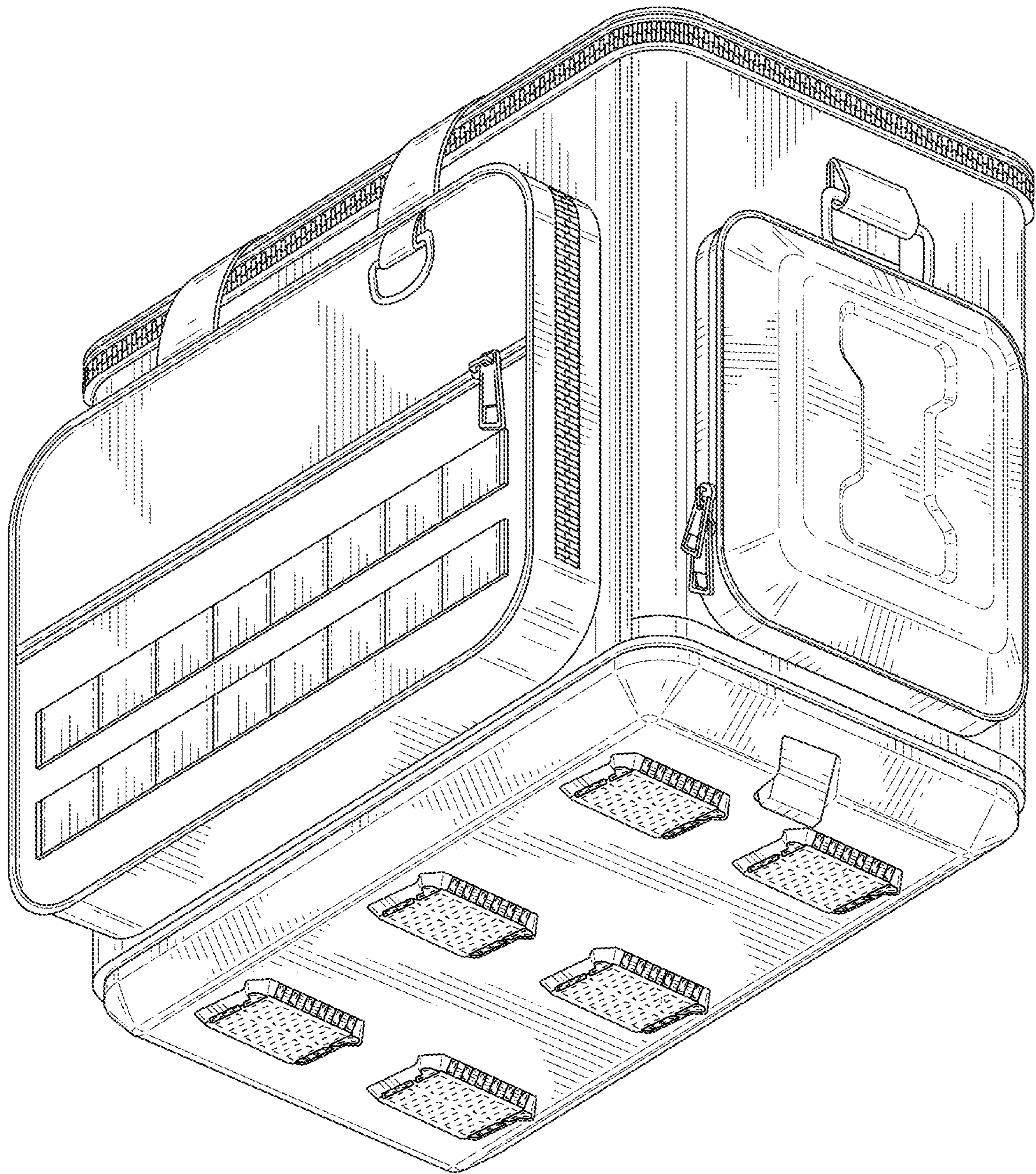


FIG. 2

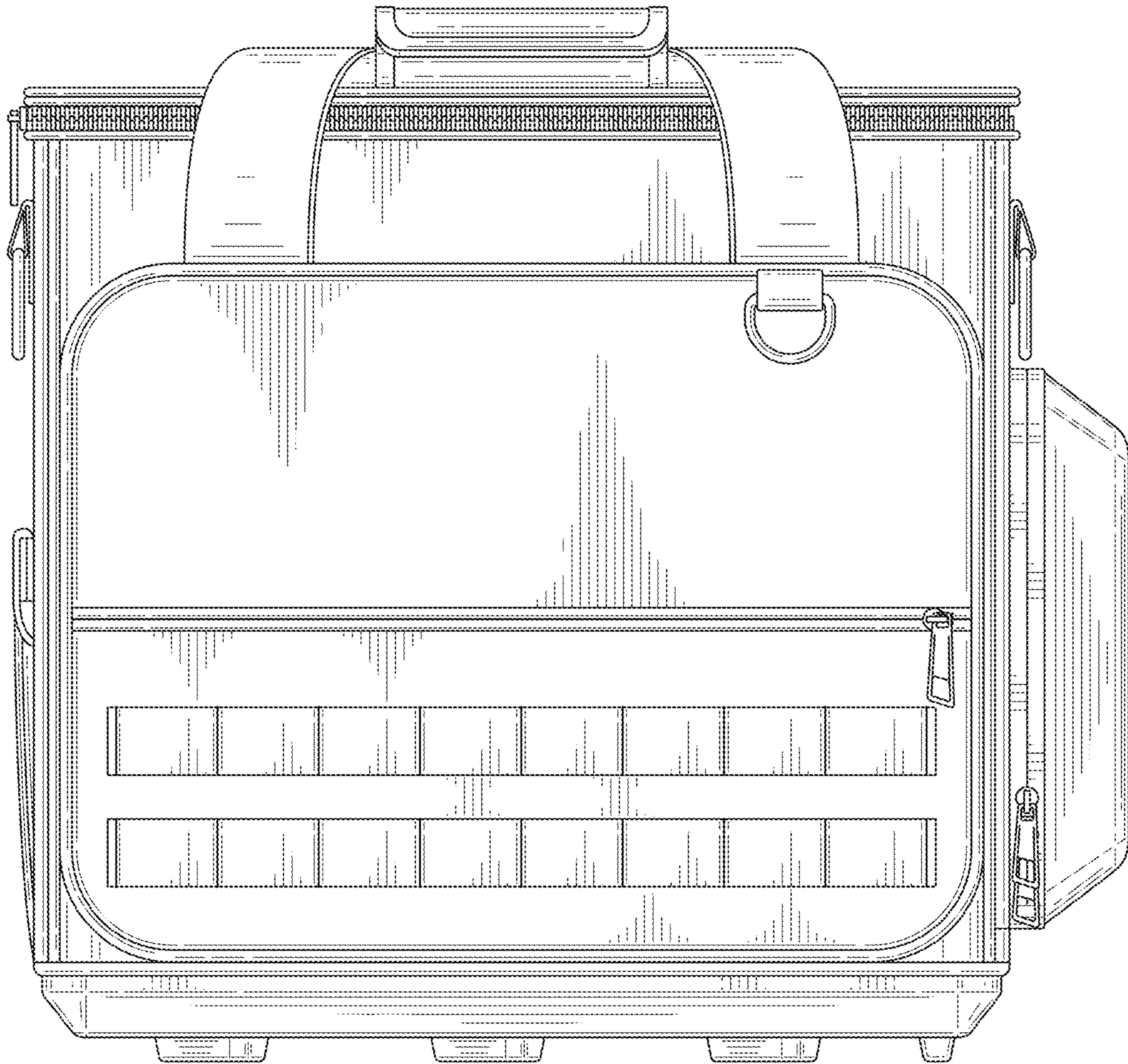


FIG. 3

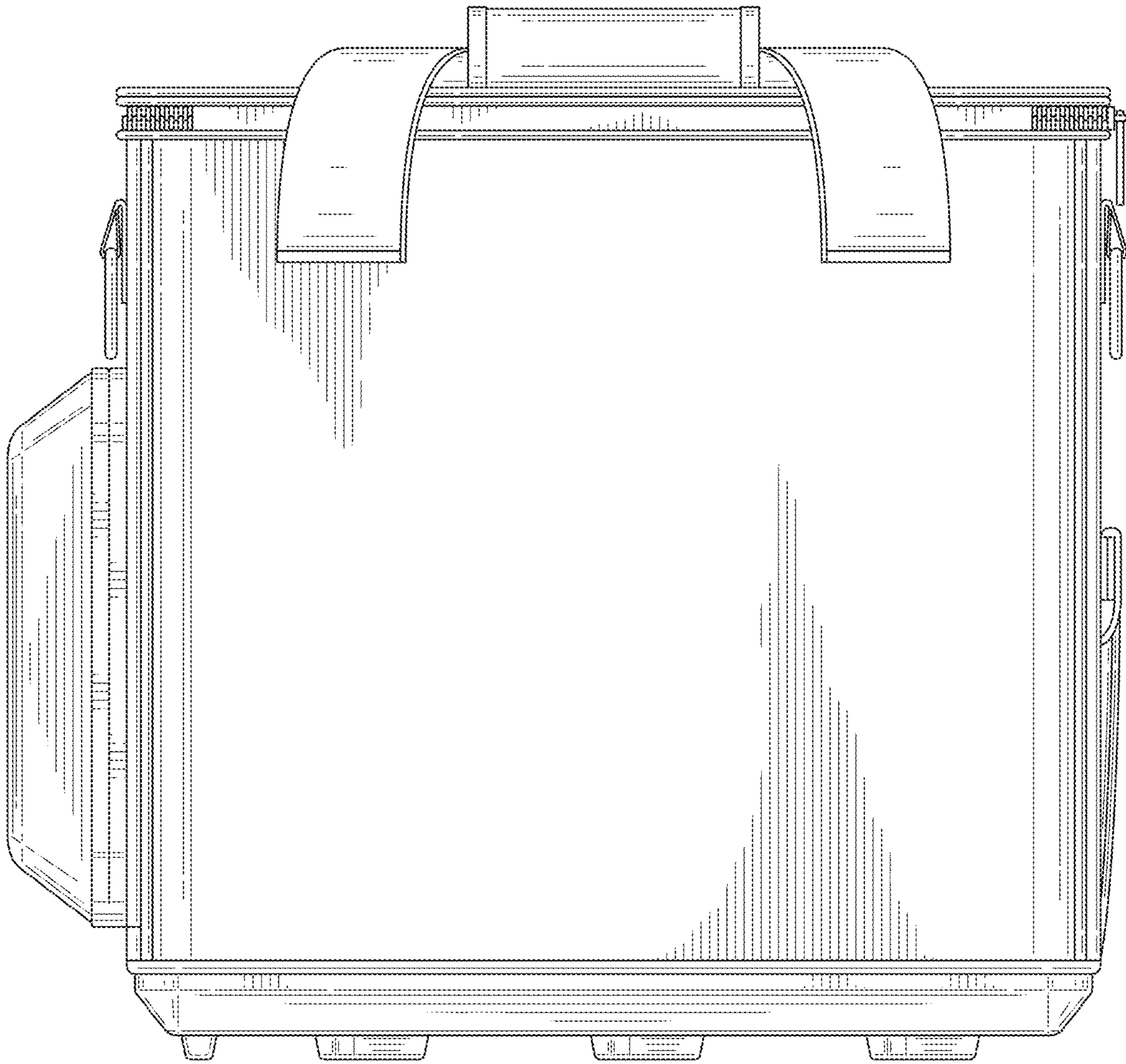


FIG. 4

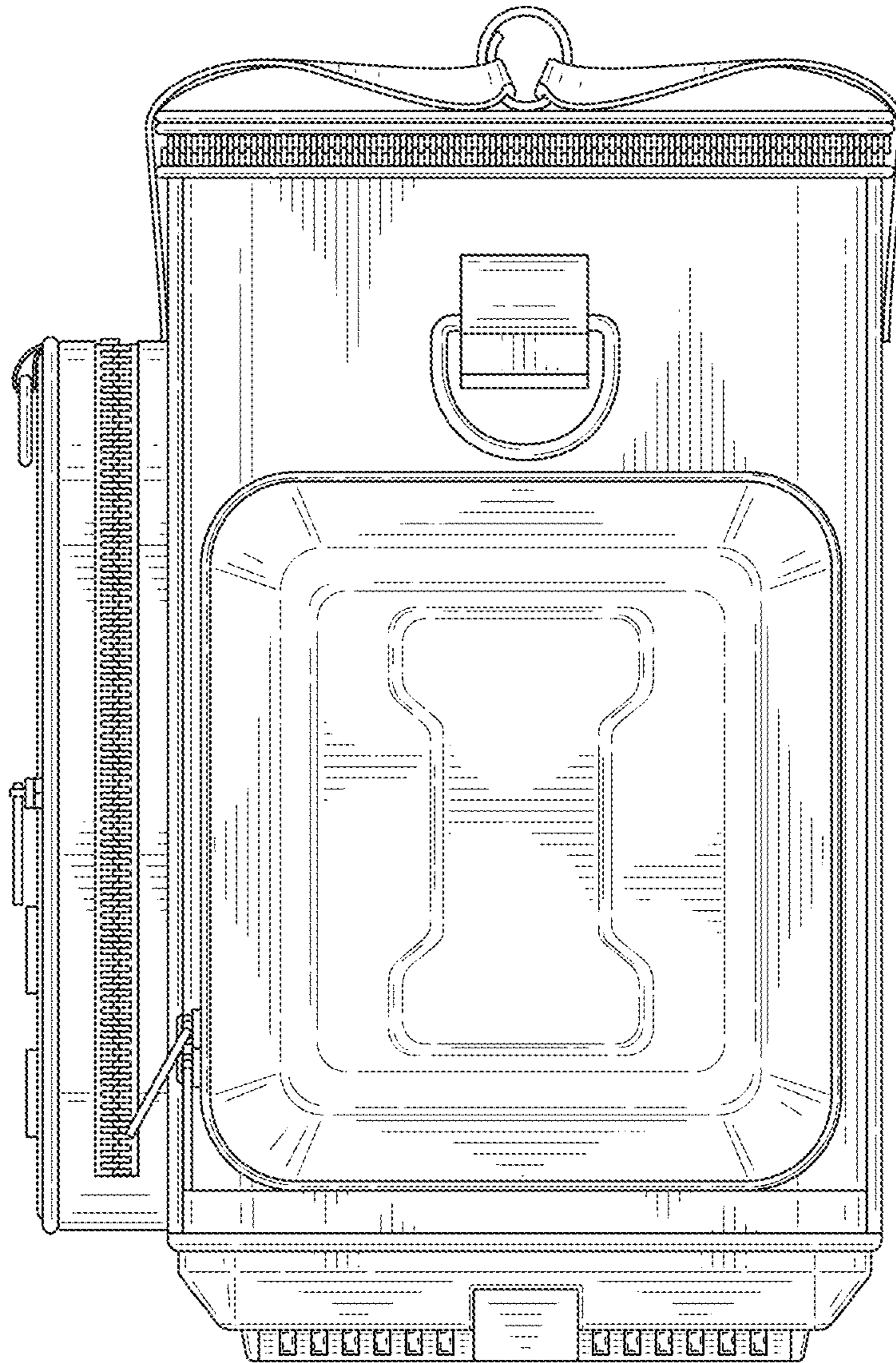


FIG. 5

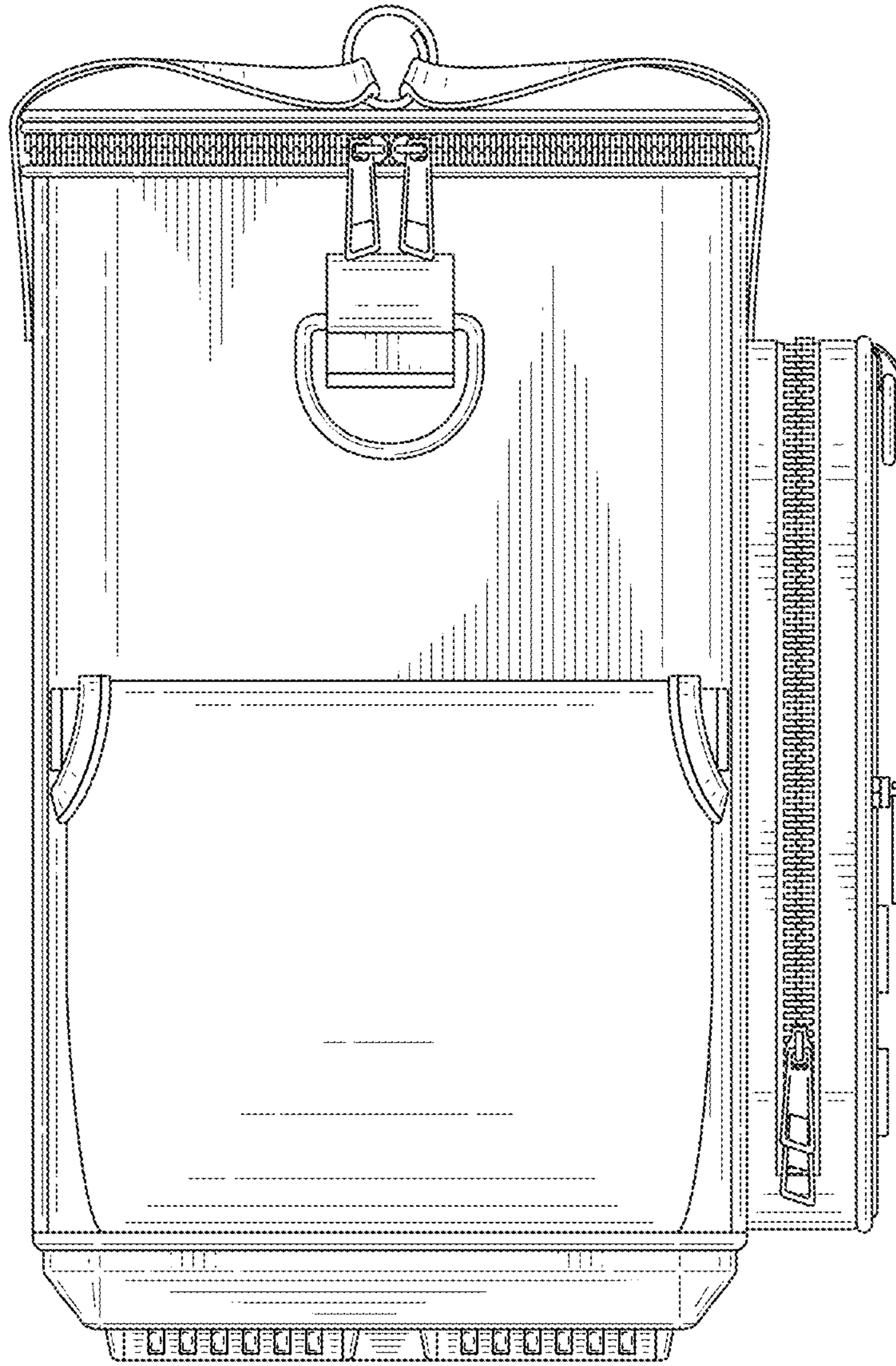


FIG. 6

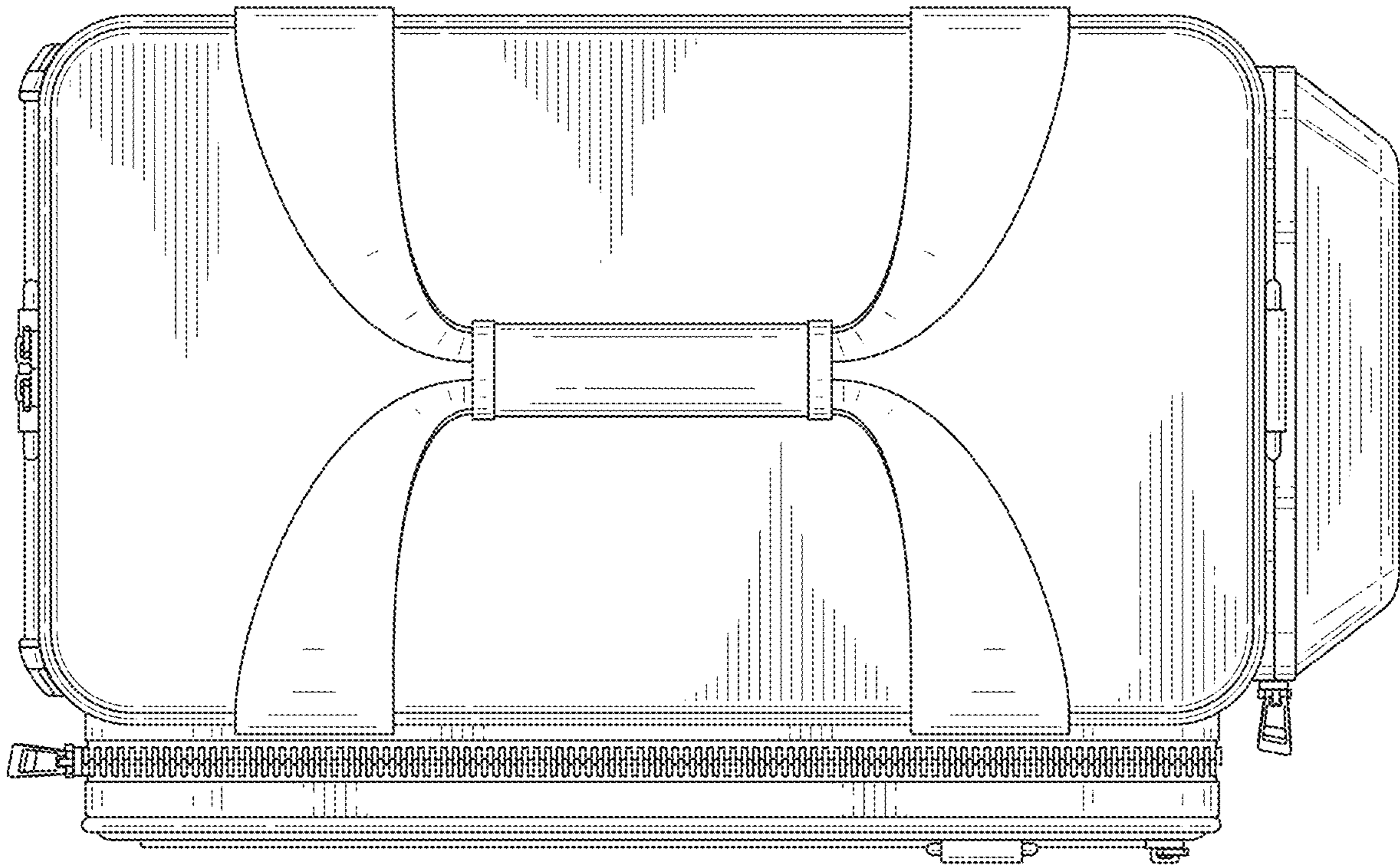


FIG. 7

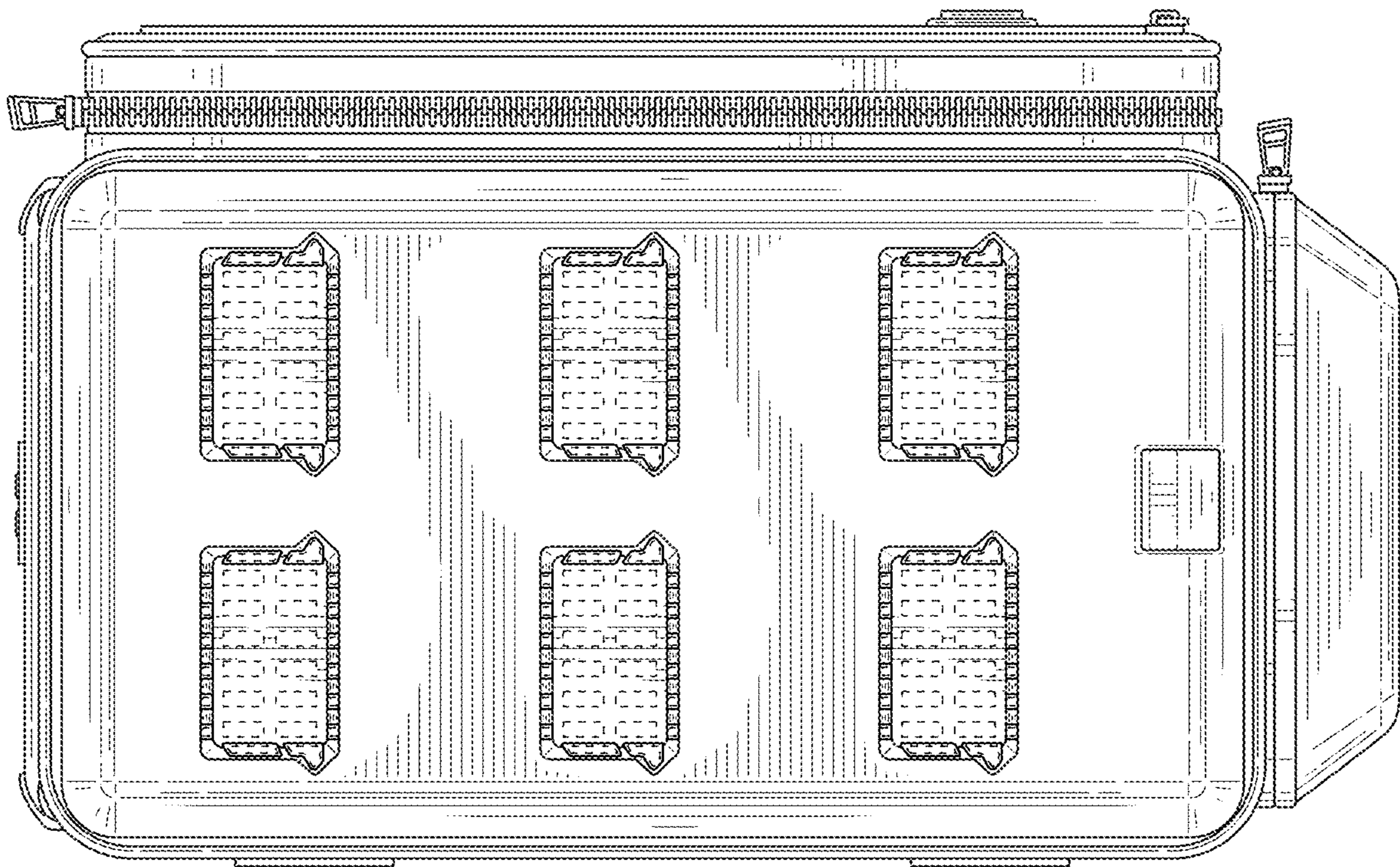


FIG. 8

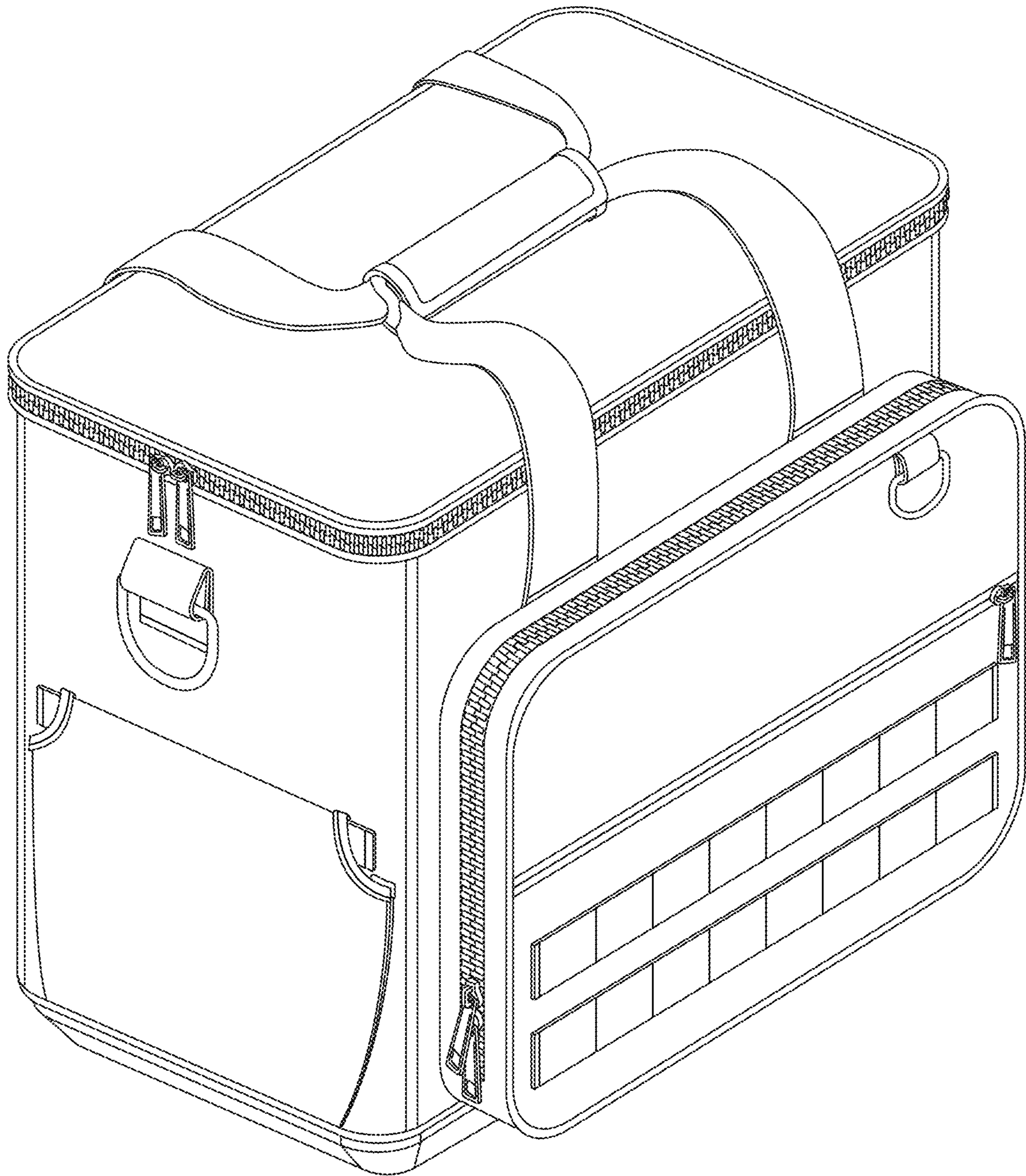


FIG. 9

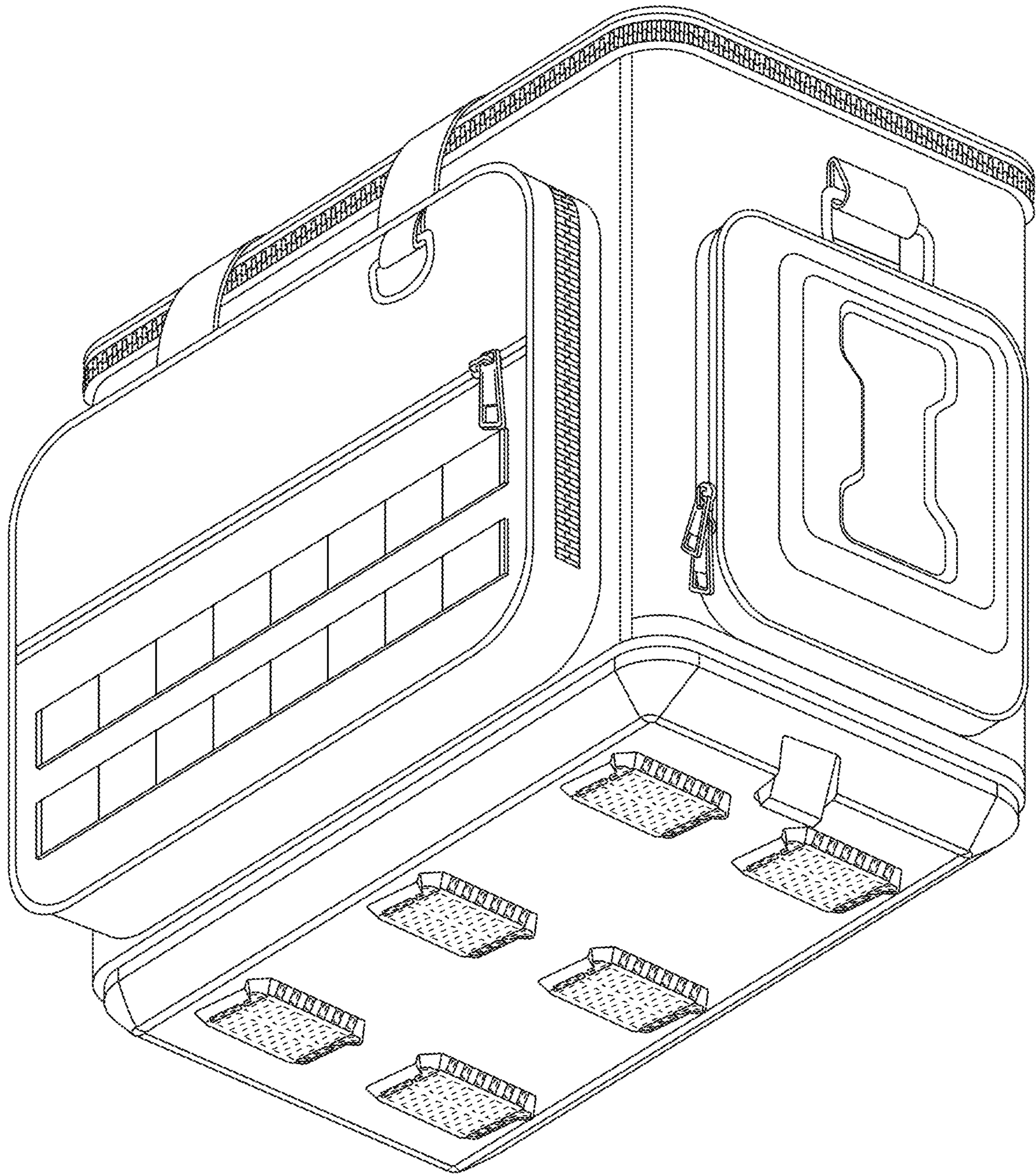


FIG. 10

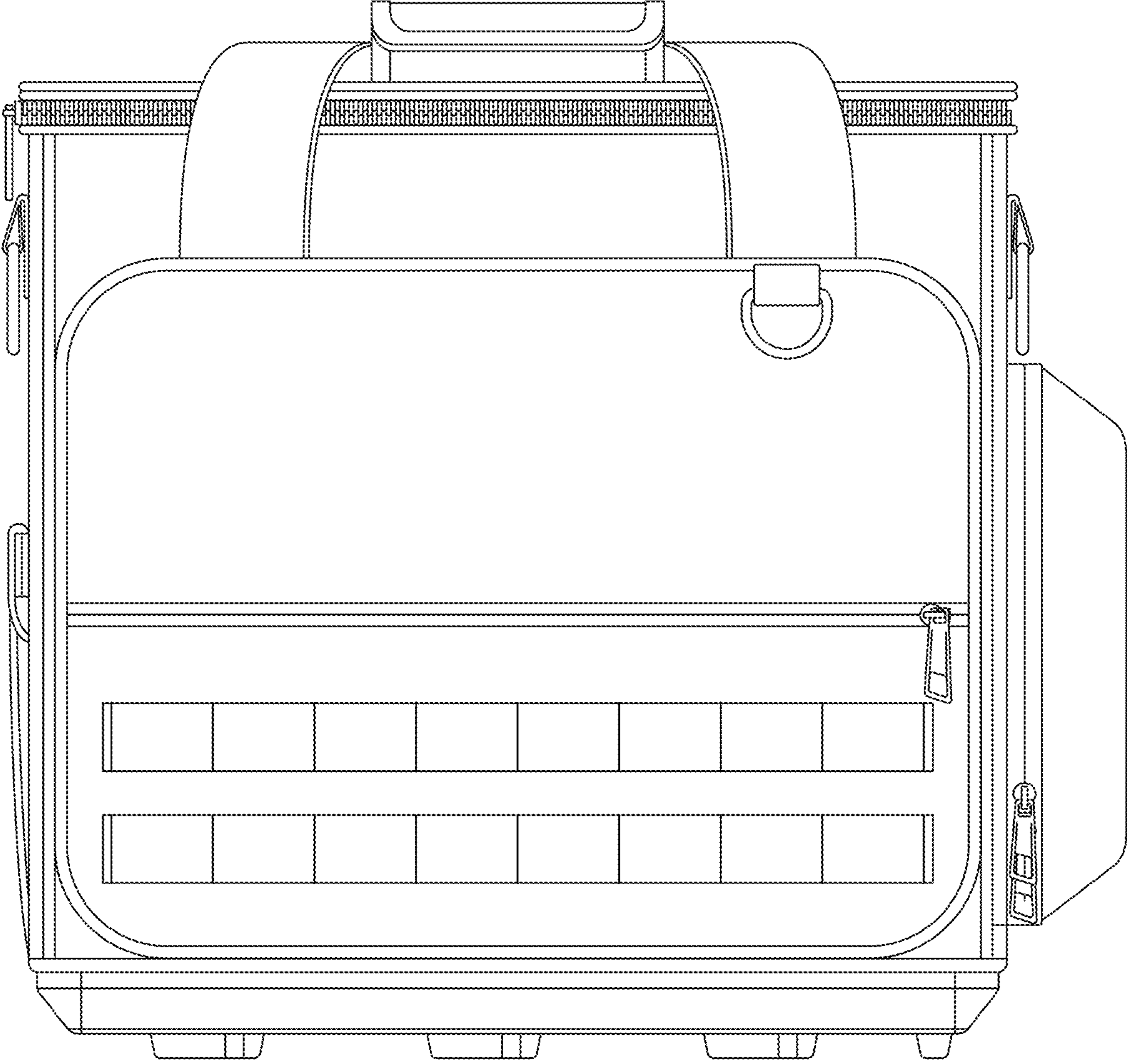


FIG. 11

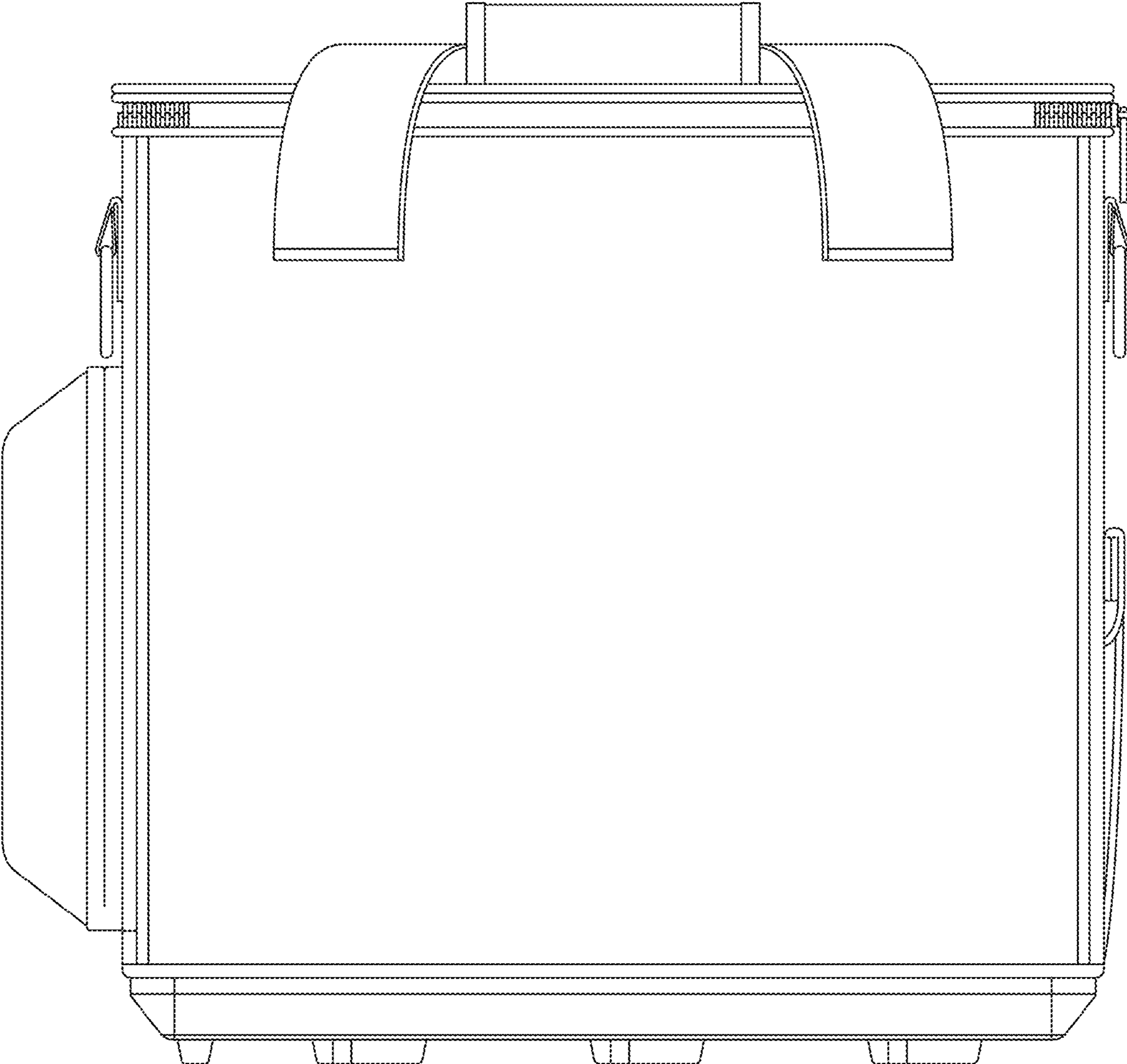


FIG. 12

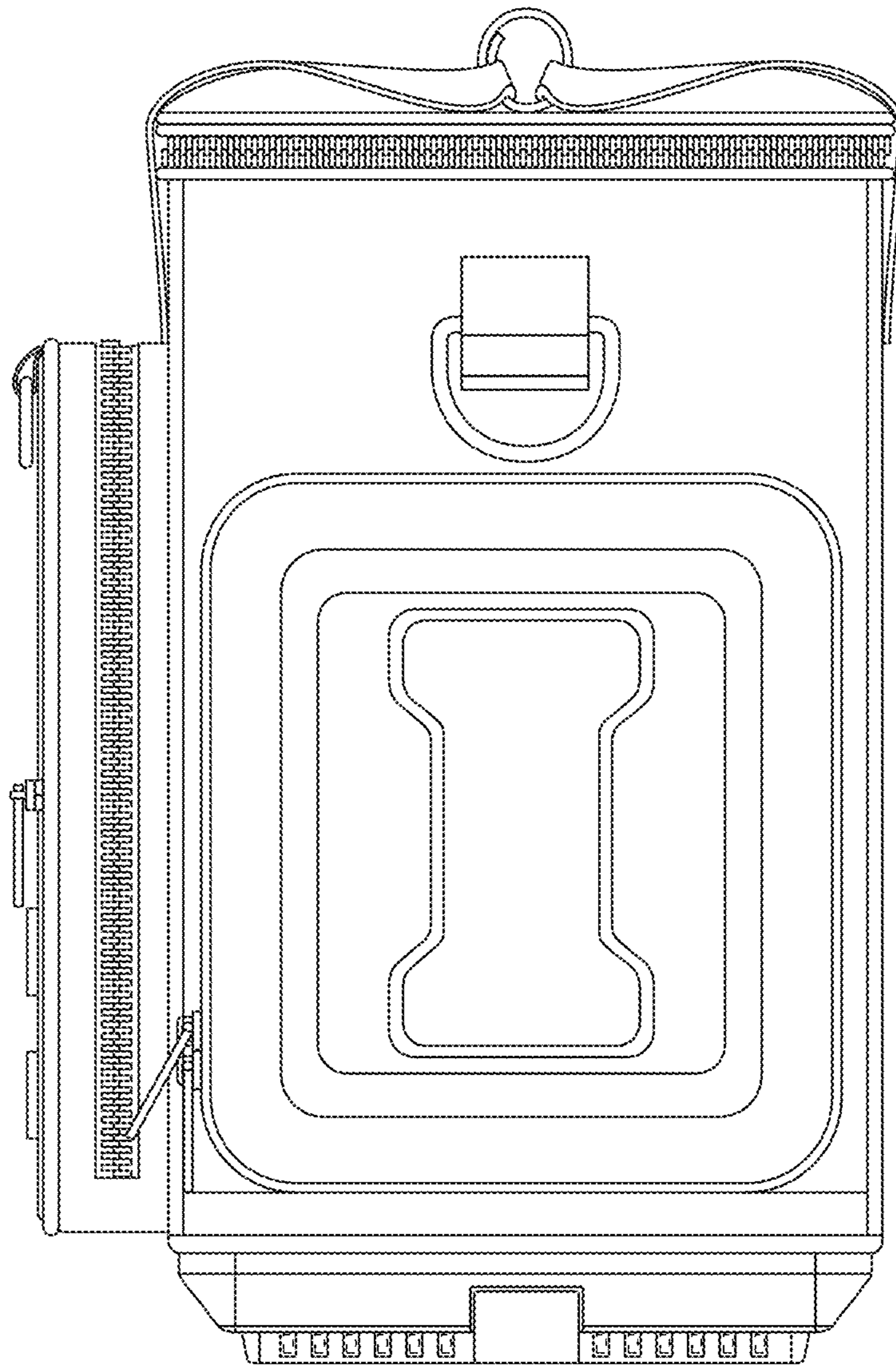


FIG. 13

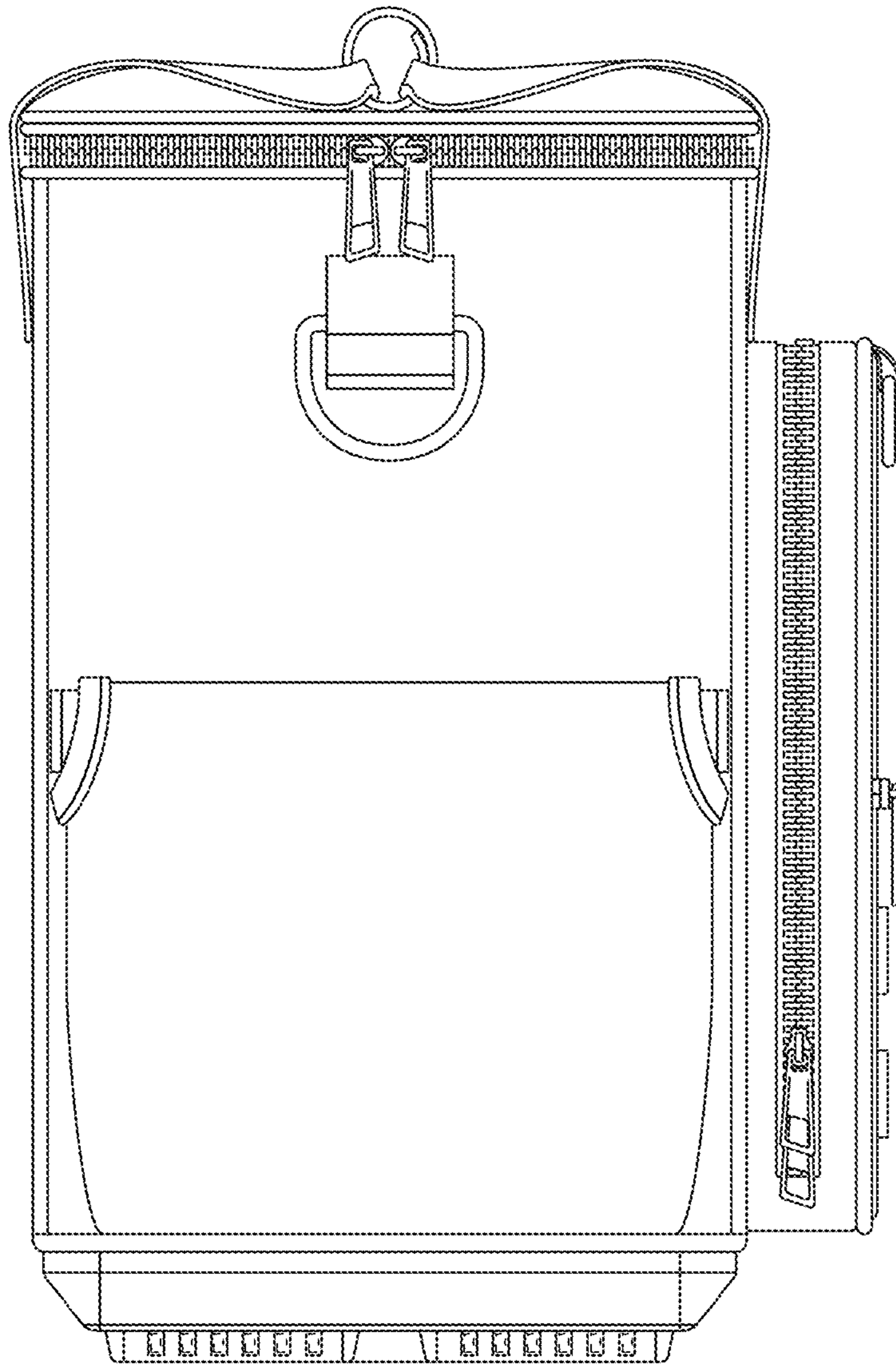


FIG. 14

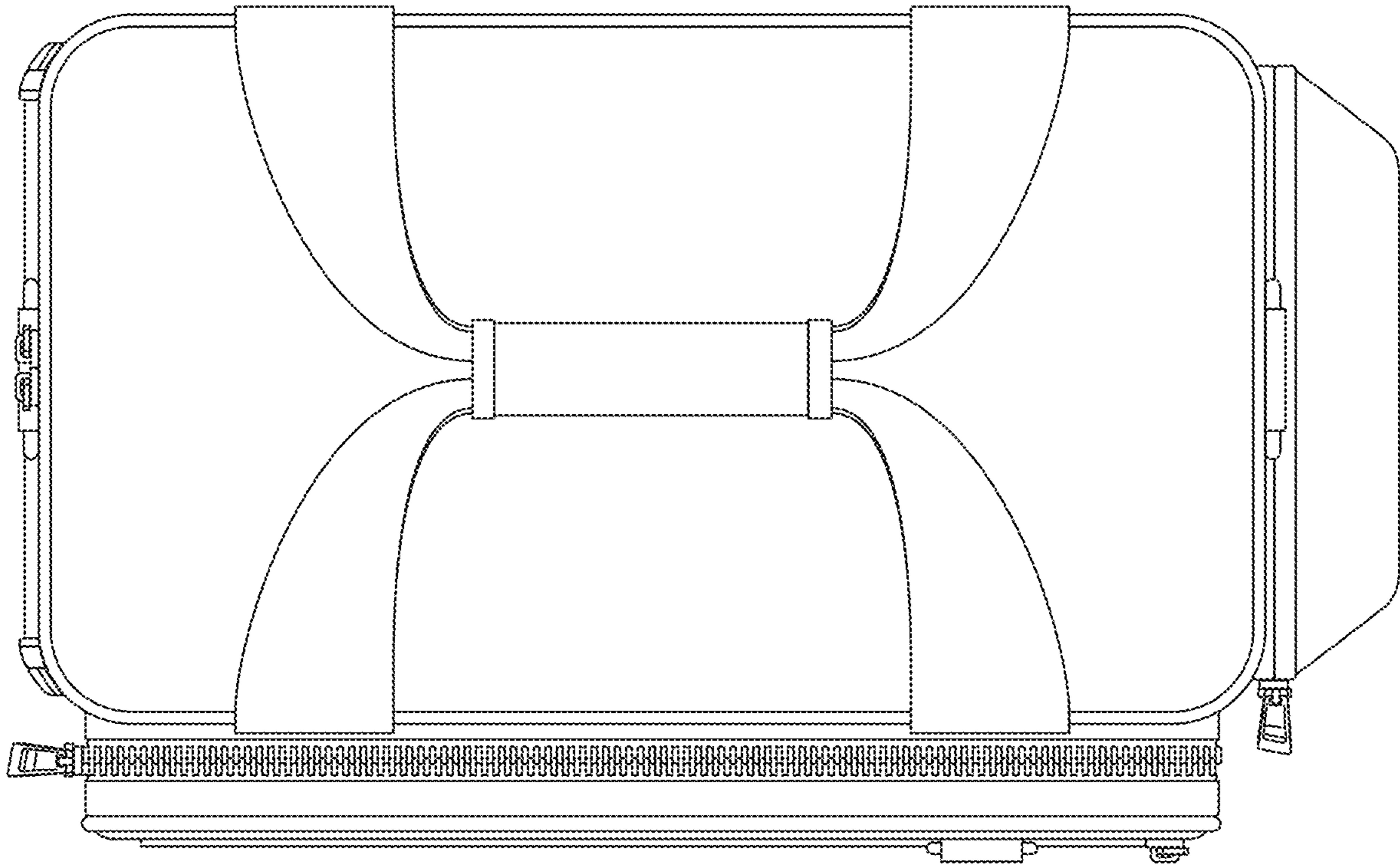


FIG. 15

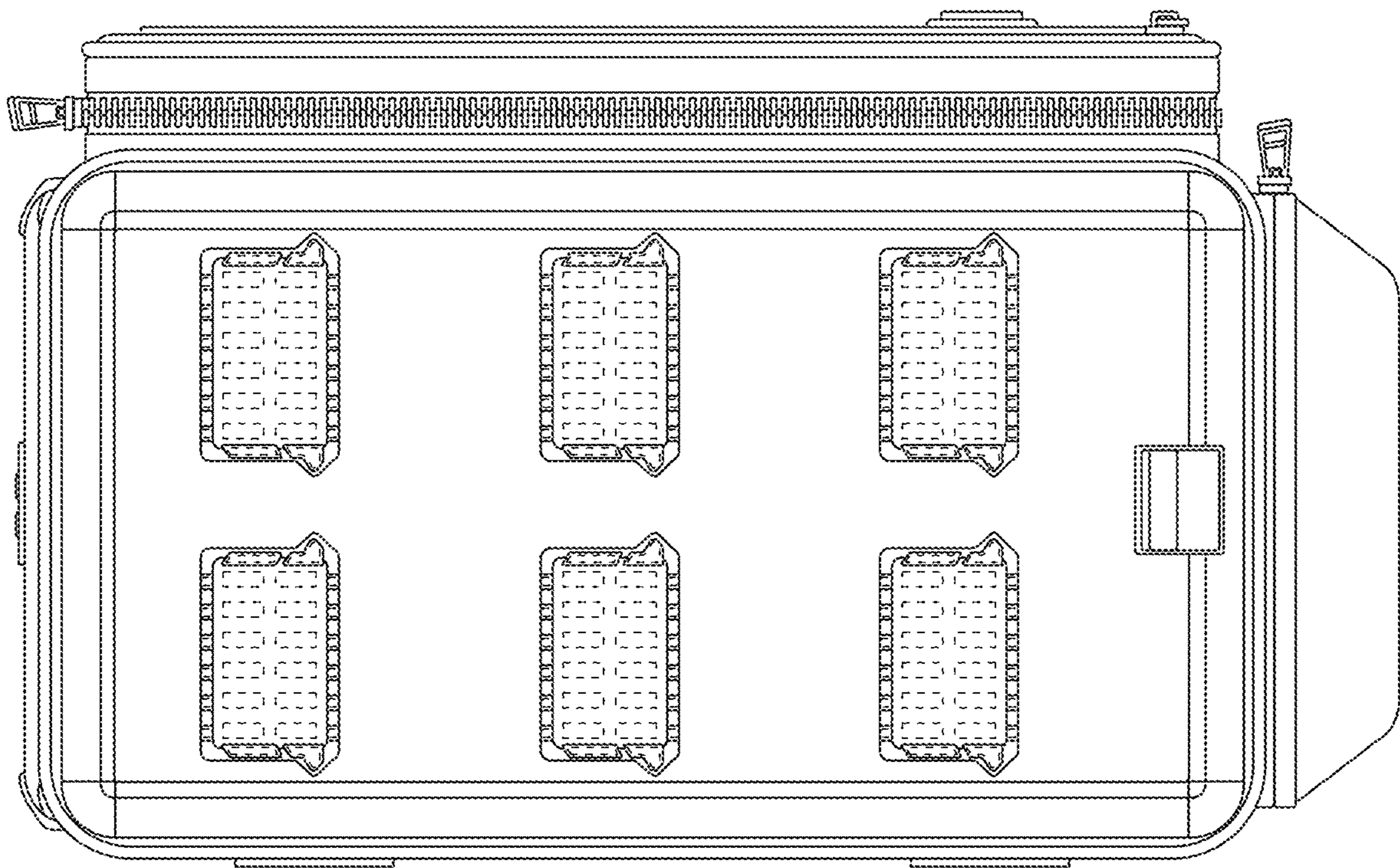


FIG. 16

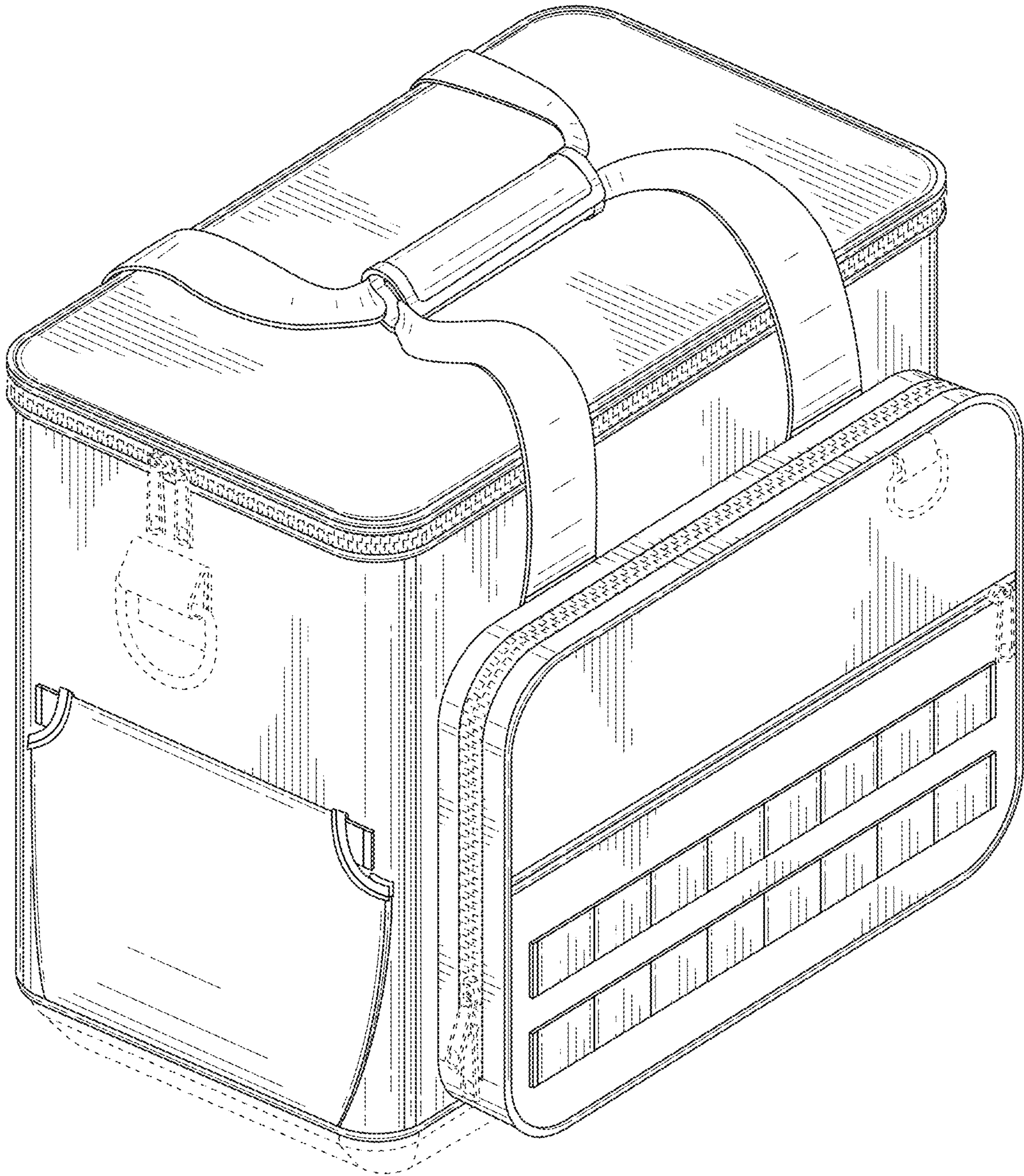


FIG. 17

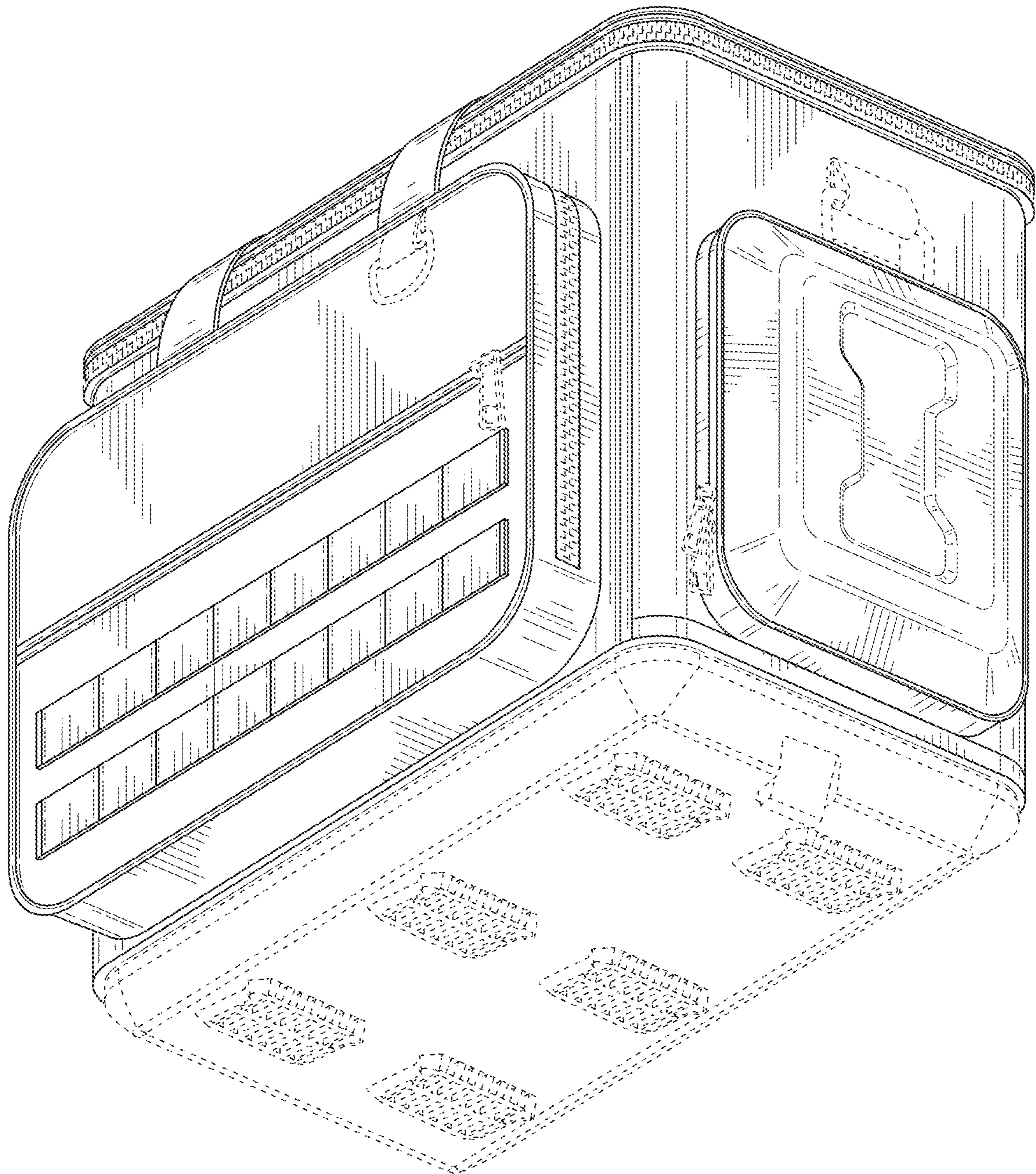


FIG. 18

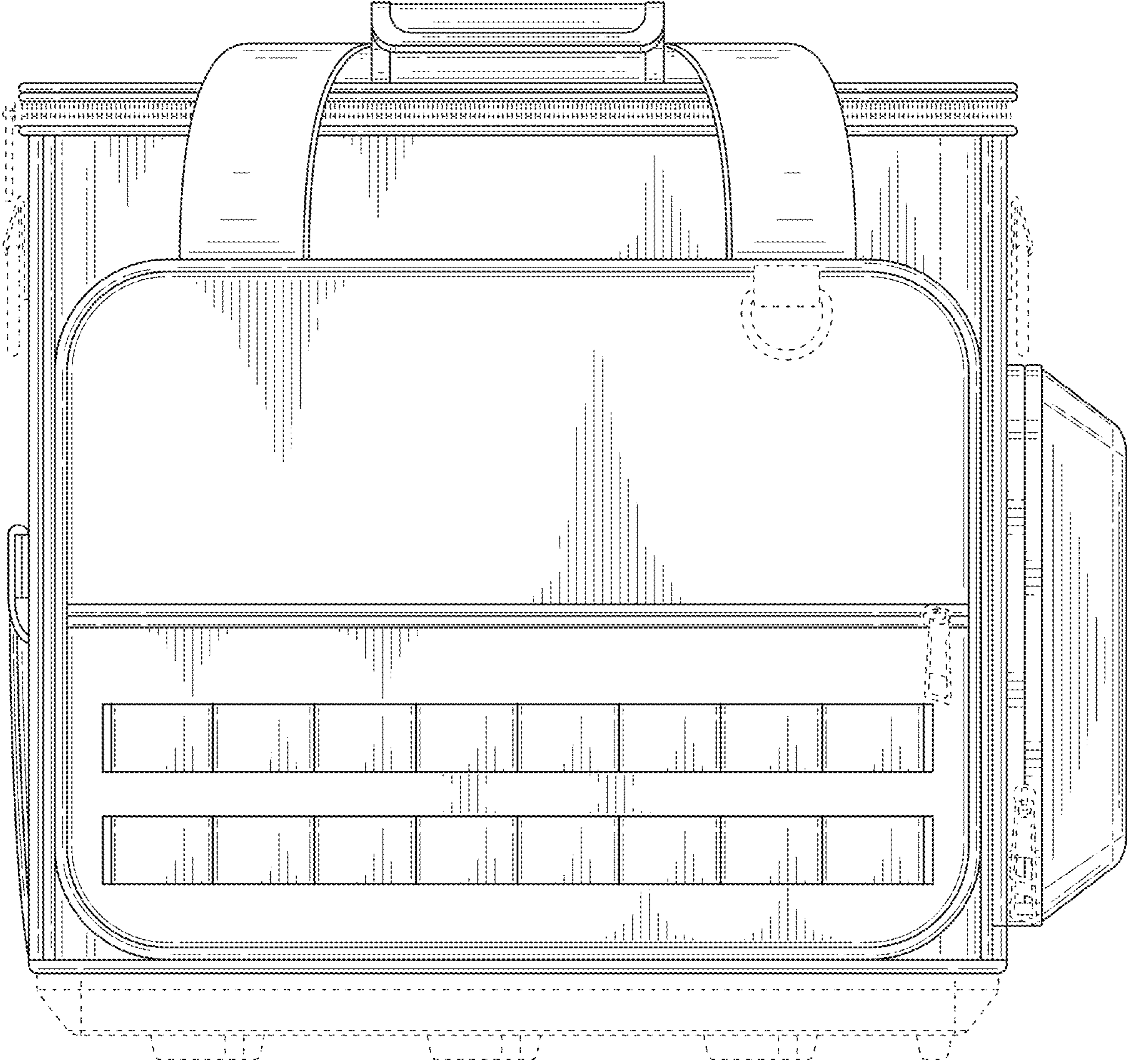


FIG. 19

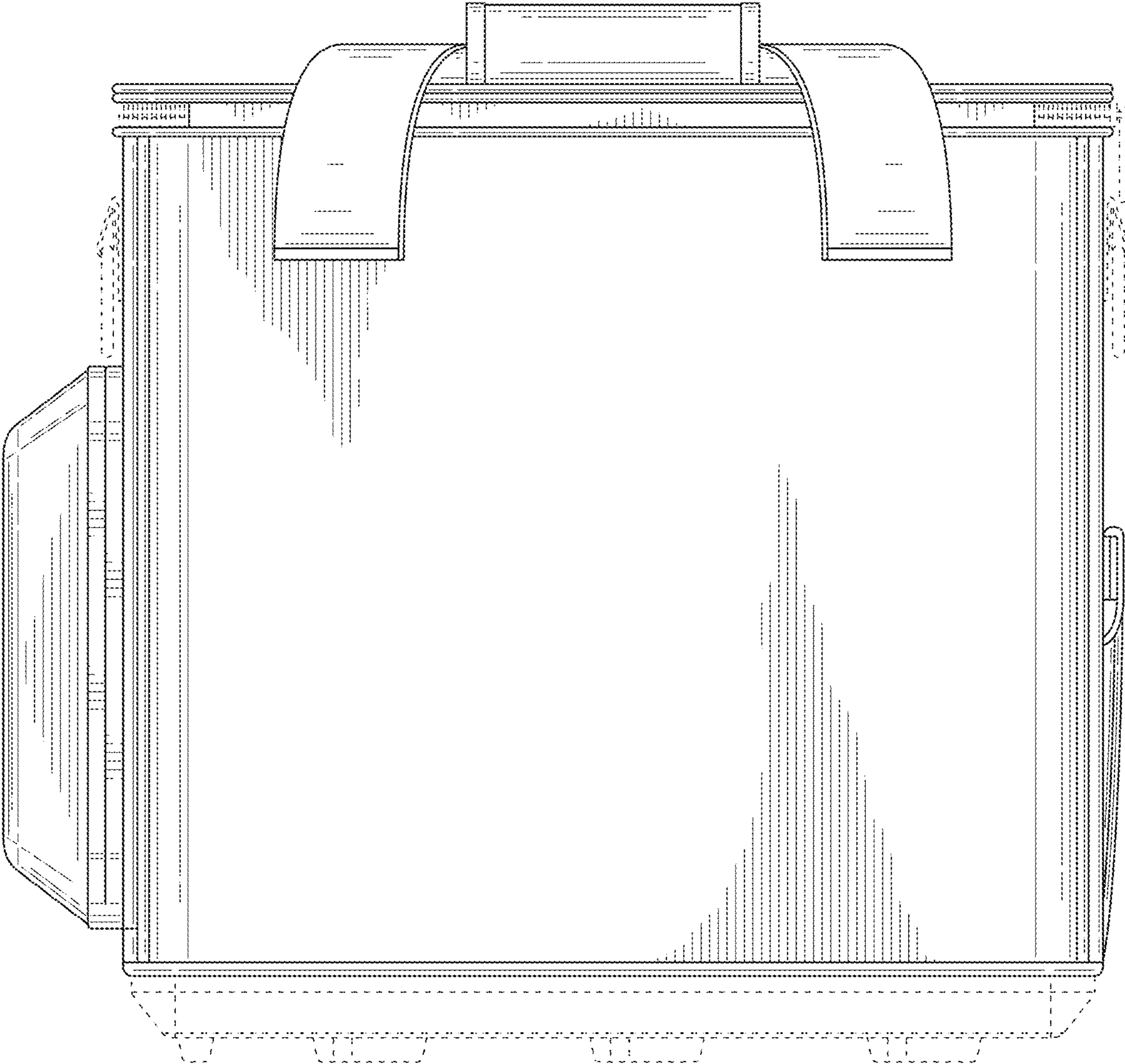


FIG. 20

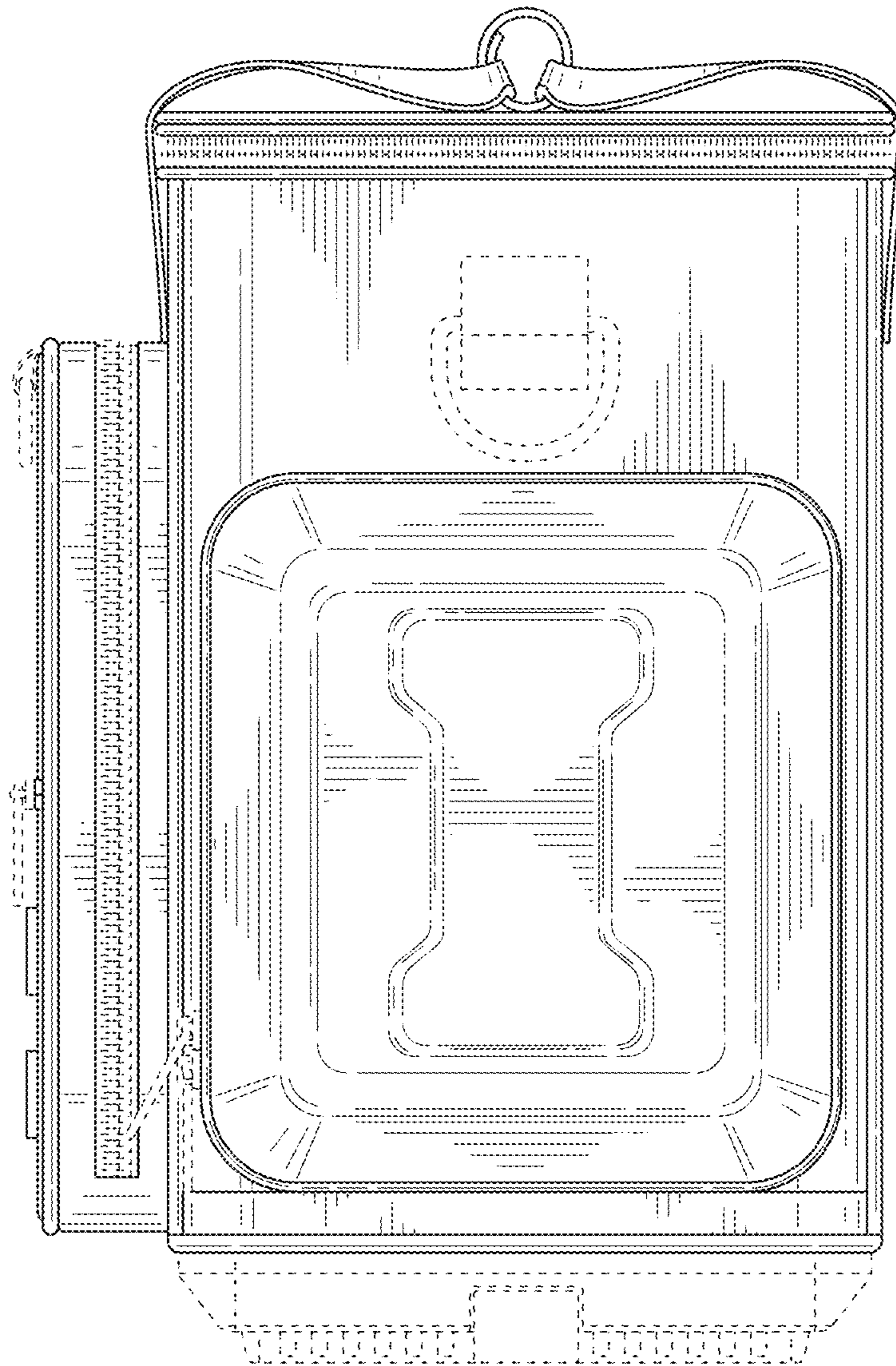


FIG. 21

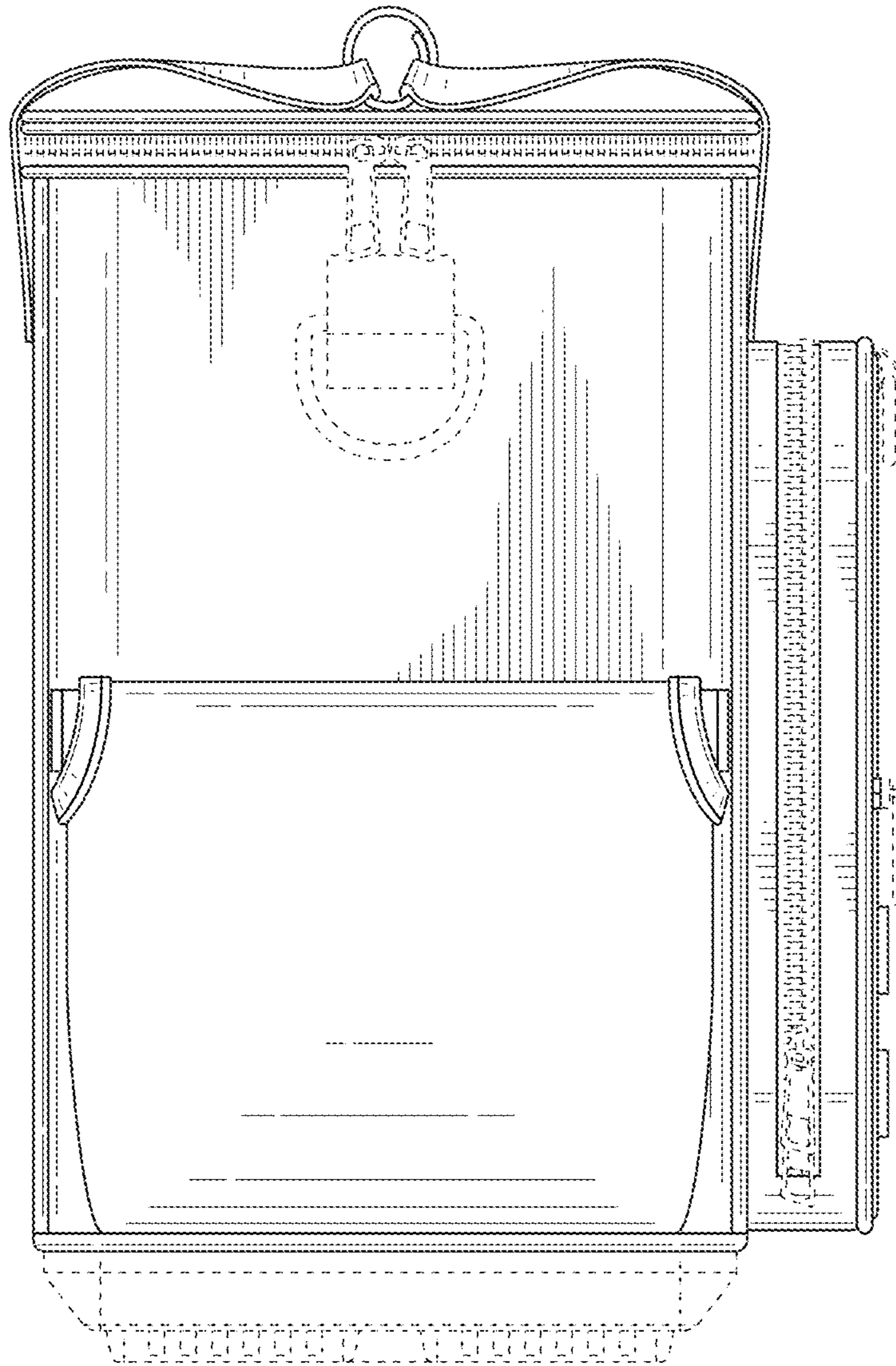


FIG. 22

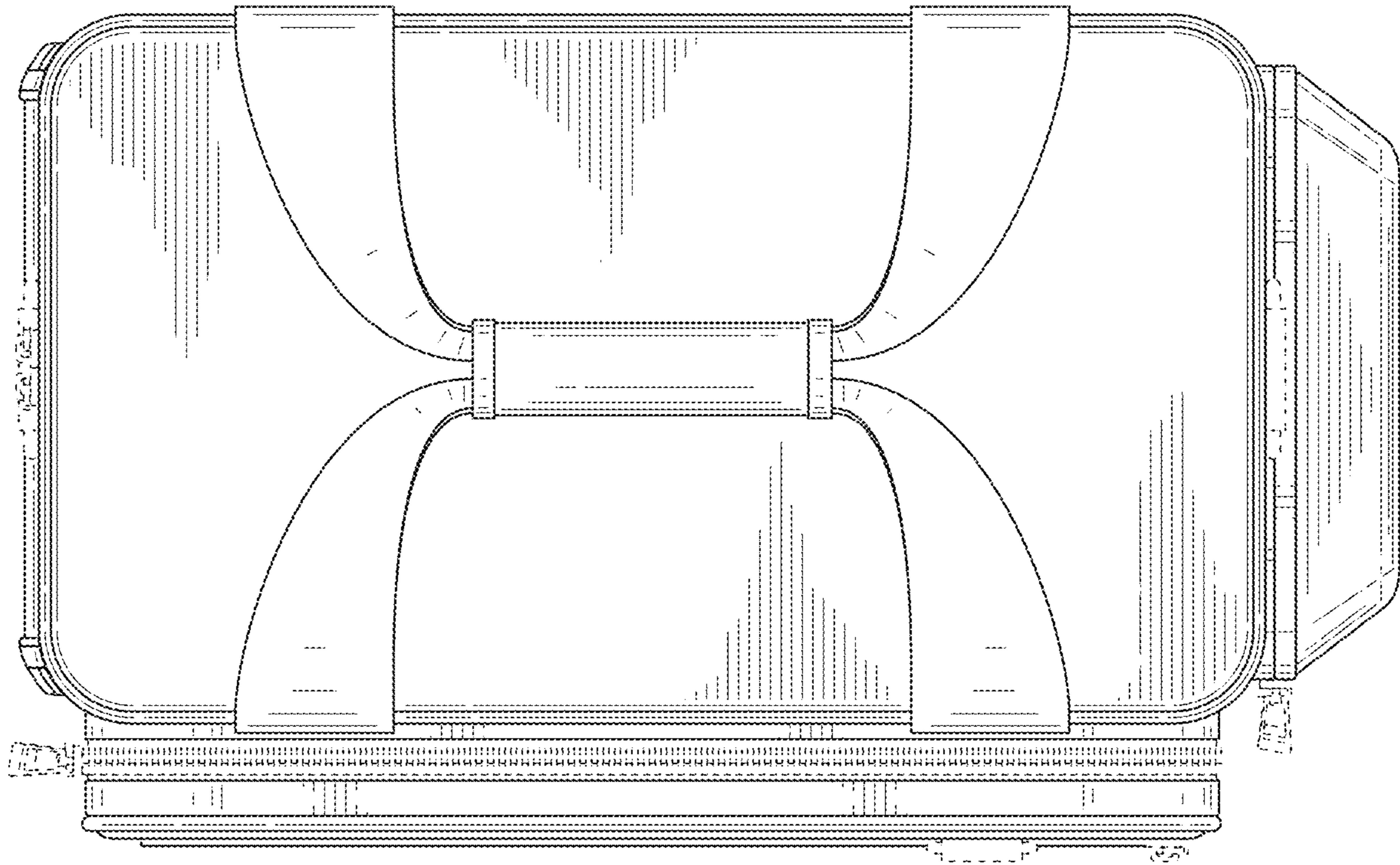


FIG. 23

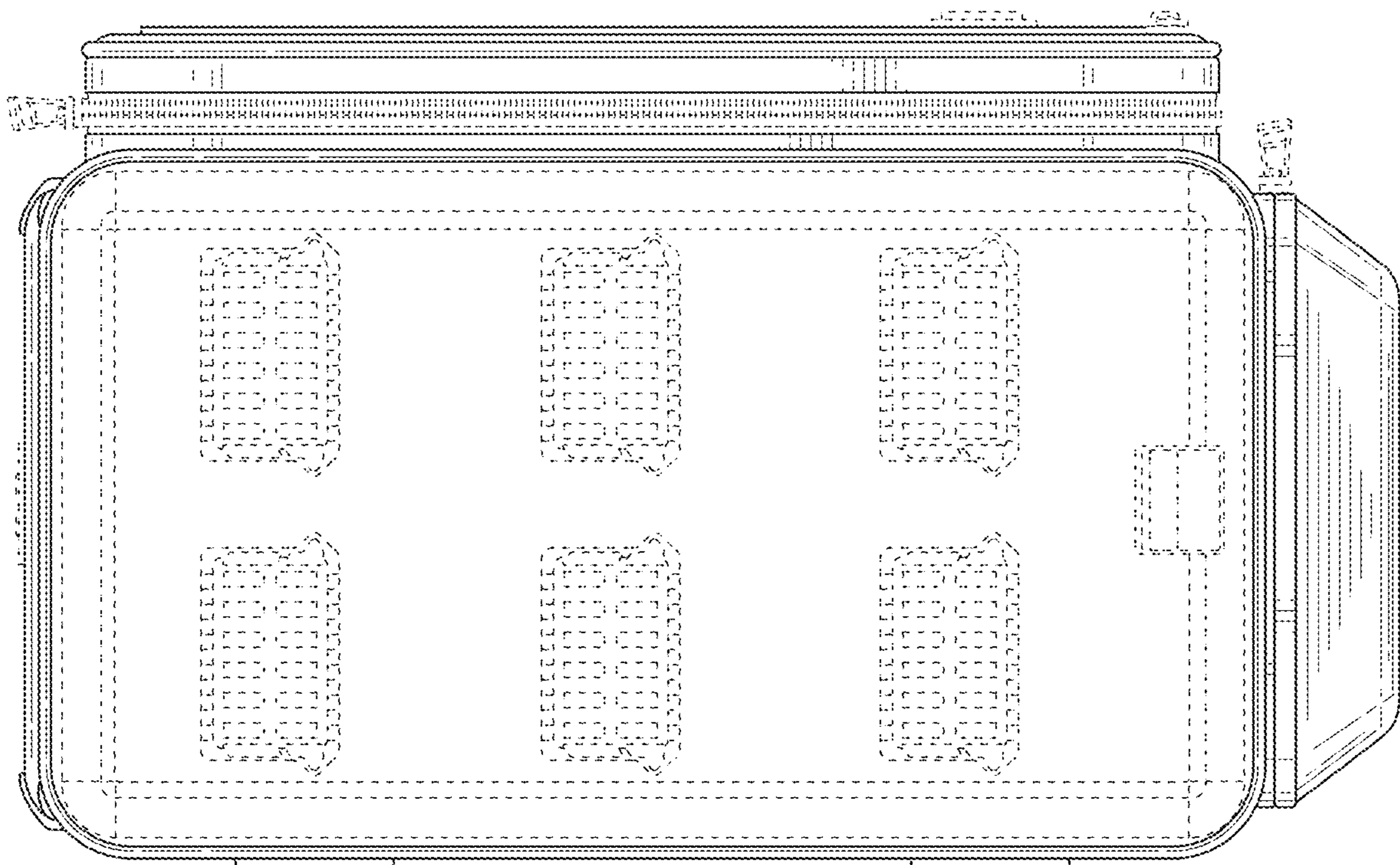


FIG. 24