



US00D893180S

(12) **United States Design Patent** (10) **Patent No.:** **US D893,180 S**
Yang (45) **Date of Patent:** **** Aug. 18, 2020**

(54) **RIFLE CASE**
(71) Applicant: **Zijiang Yang**, Fontana, CA (US)
(72) Inventor: **Zijiang Yang**, Fontana, CA (US)
(73) Assignee: **Zijiang Yang**, Fontana, CA (US)
(**) Term: **15 Years**
(21) Appl. No.: **29/677,193**

D506,062 S * 6/2005 Whalen D3/262
D528,790 S * 9/2006 Sides D3/262
D528,791 S * 9/2006 Sides D3/262
D532,971 S * 12/2006 Sides D3/262
D559,544 S * 1/2008 Allen D3/254
D559,545 S * 1/2008 Allen D3/254
D641,166 S * 7/2011 Zivanovic D3/262
D664,763 S * 8/2012 Negrini D3/262
D715,047 S * 10/2014 Morris D3/262
D731,789 S * 6/2015 Quinnan D3/262
D744,234 S * 12/2015 Quinnan D3/262
D744,749 S * 12/2015 Negrini D3/262

(Continued)

(22) Filed: **Jan. 17, 2019**
(51) **LOC (12) Cl.** **03-01**
(52) **U.S. Cl.**
USPC **D3/262**
(58) **Field of Classification Search**
USPC D3/201, 221-223, 254, 262, 273, 276
See application file for complete search history.

Primary Examiner — Mitchell I. Siegel
(74) Attorney, Agent, or Firm — Ivan Posey, Esq.; Leech
Tishman Fuscaldo & Lampl

(57) **CLAIM**

I claim the ornamental design of a rifle case, as shown and described.

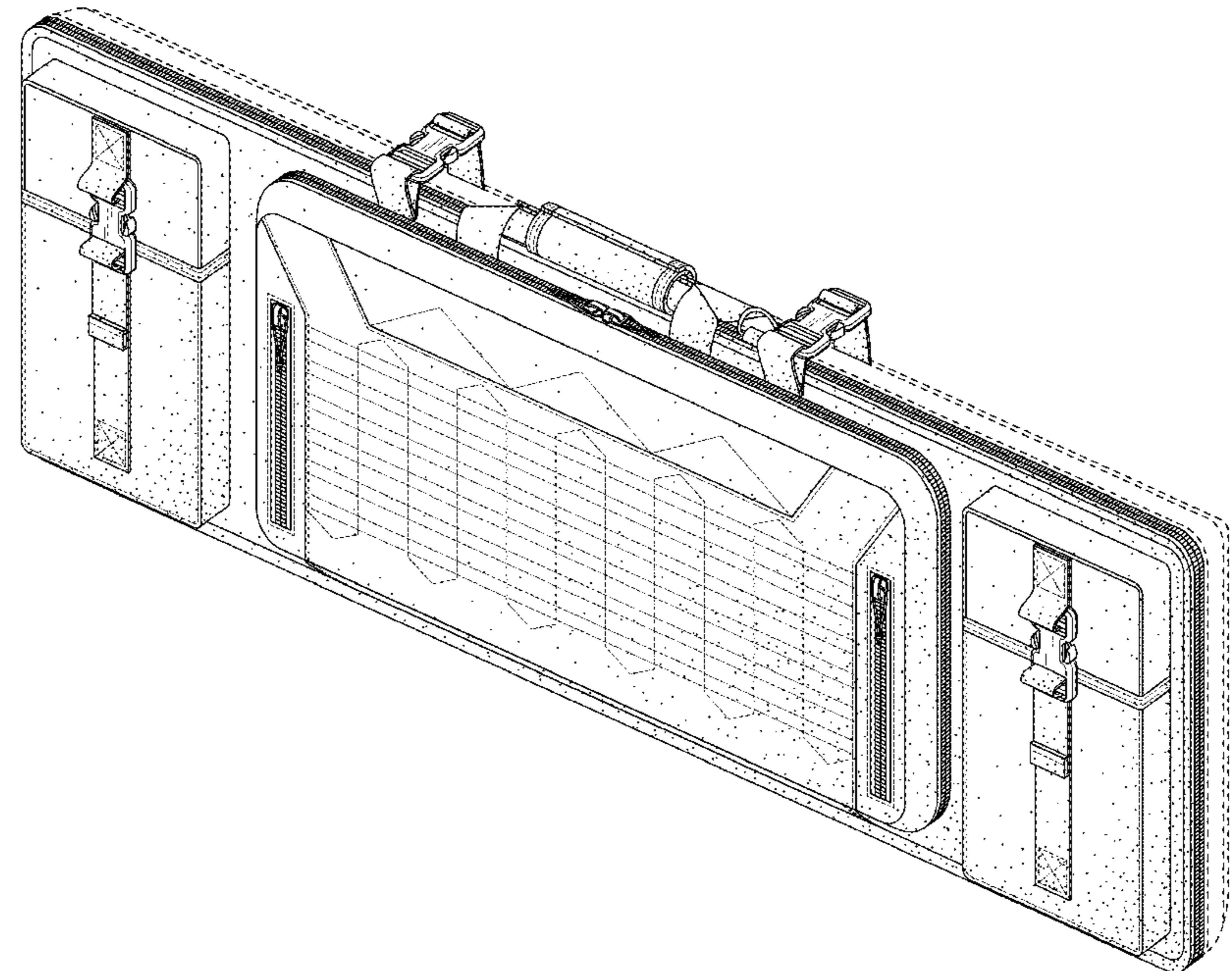
(56) **References Cited**
U.S. PATENT DOCUMENTS

3,865,166 A * 2/1975 Pedro A45C 11/00
206/317
D278,189 S * 4/1985 Frydenberg D3/262
D320,113 S * 9/1991 VanSkiver D3/262
D320,306 S * 10/1991 Schwartz D3/289
D336,984 S * 7/1993 VanSkiver D3/262
D347,322 S * 5/1994 Fiore D3/262
D358,255 S * 5/1995 Sharp D3/262
D413,020 S * 8/1999 Kolpin D3/262
D448,163 S * 9/2001 Kolpin D3/262
D448,164 S * 9/2001 Kolpin D3/262
D448,165 S * 9/2001 Kolpin D3/262
D448,558 S * 10/2001 Kolpin D3/262
D448,559 S * 10/2001 Kolpin D3/262
D448,560 S * 10/2001 Kolpin D3/262
D448,561 S * 10/2001 Kolpin D3/262
D448,562 S * 10/2001 Kolpin D3/262
D483,178 S * 12/2003 Fiore, Jr. D3/254

DESCRIPTION

FIG. 1 is a front-top-right perspective view of the rifle case; FIG. 2 is a front elevational view of the rifle case of FIG. 1; FIG. 3 is a back elevational view of the rifle case of FIG. 1; FIG. 4 is a left-side elevational view of the rifle case of FIG. 1; FIG. 5 is a right-side elevational view of the rifle case of FIG. 1; FIG. 6 is a top elevational view of the rifle case of FIG. 1; and, FIG. 7 is a bottom elevational view of the rifle case of FIG. 1. The broken lines shown are included for the purpose of illustrating unclaimed subject matter and forms no part of the claimed design.

1 Claim, 6 Drawing Sheets



(56)

References Cited

U.S. PATENT DOCUMENTS

D759,375	S *	6/2016	Dolfi	D3/262
D782,192	S *	3/2017	Scranton	D3/262
D805,026	S *	12/2017	Anderson	D13/102
D847,505	S *	5/2019	Tonelli	D3/279
D850,788	S *	6/2019	Dolfi	D3/262
D852,501	S *	7/2019	Dolfi	D3/262
D852,502	S *	7/2019	Dolfi	D3/262
D853,721	S *	7/2019	Dolfi	D3/262
D861,340	S *	10/2019	Deng	D3/262
D873,007	S *	1/2020	Tonelli	D3/279
2003/0201198	A1 *	10/2003	Gantert	A45C 3/00 206/317
2004/0079660	A1 *	4/2004	Sauey	F41C 33/06 206/317

* cited by examiner

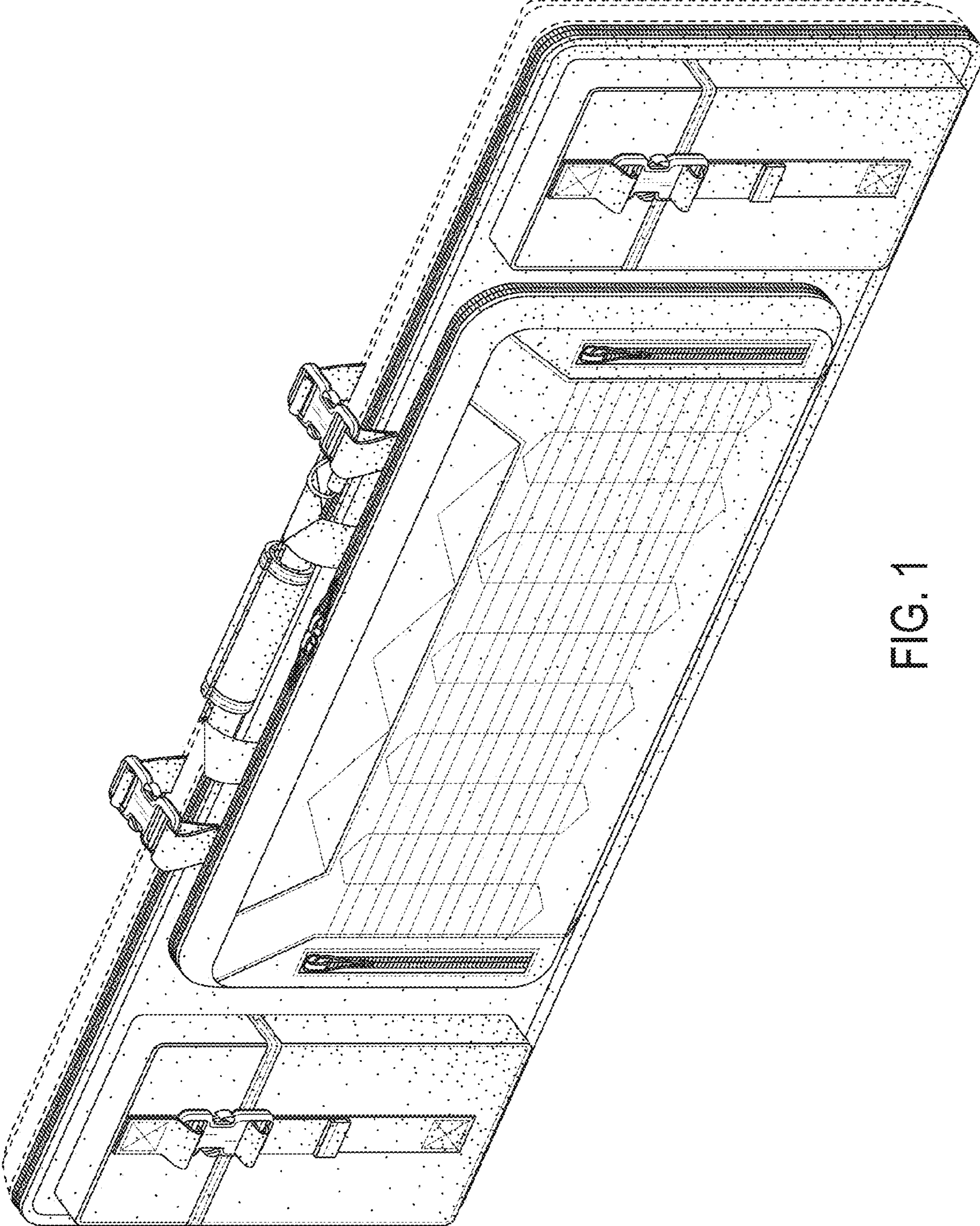


FIG. 1

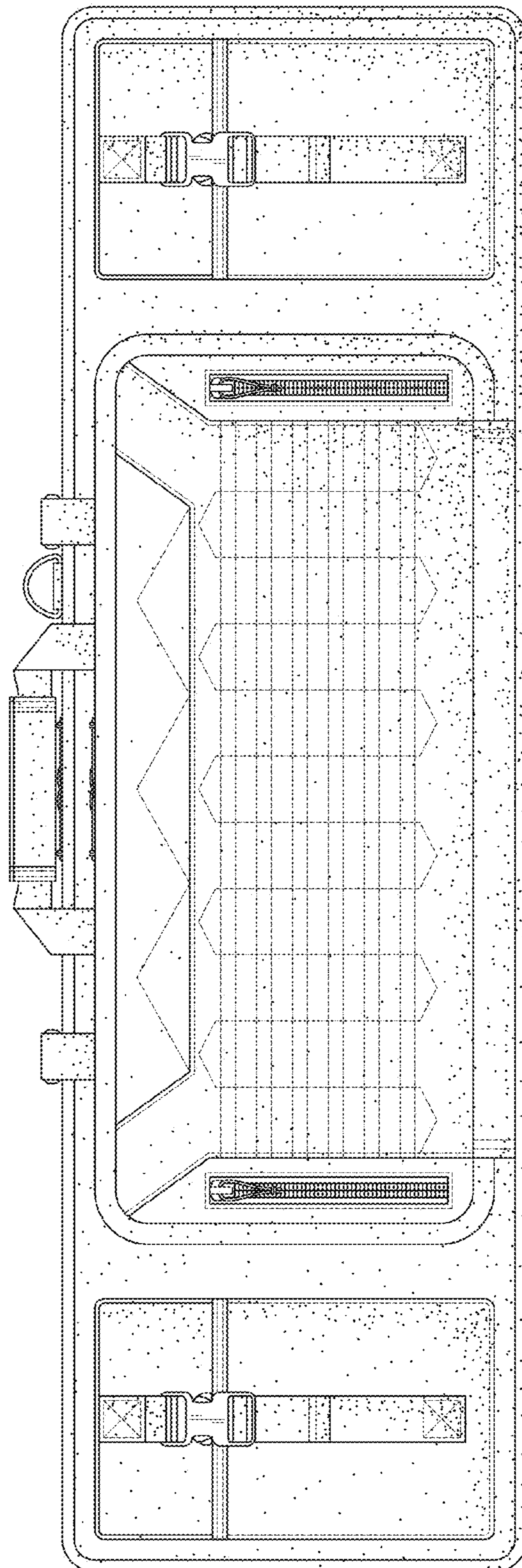


FIG. 2

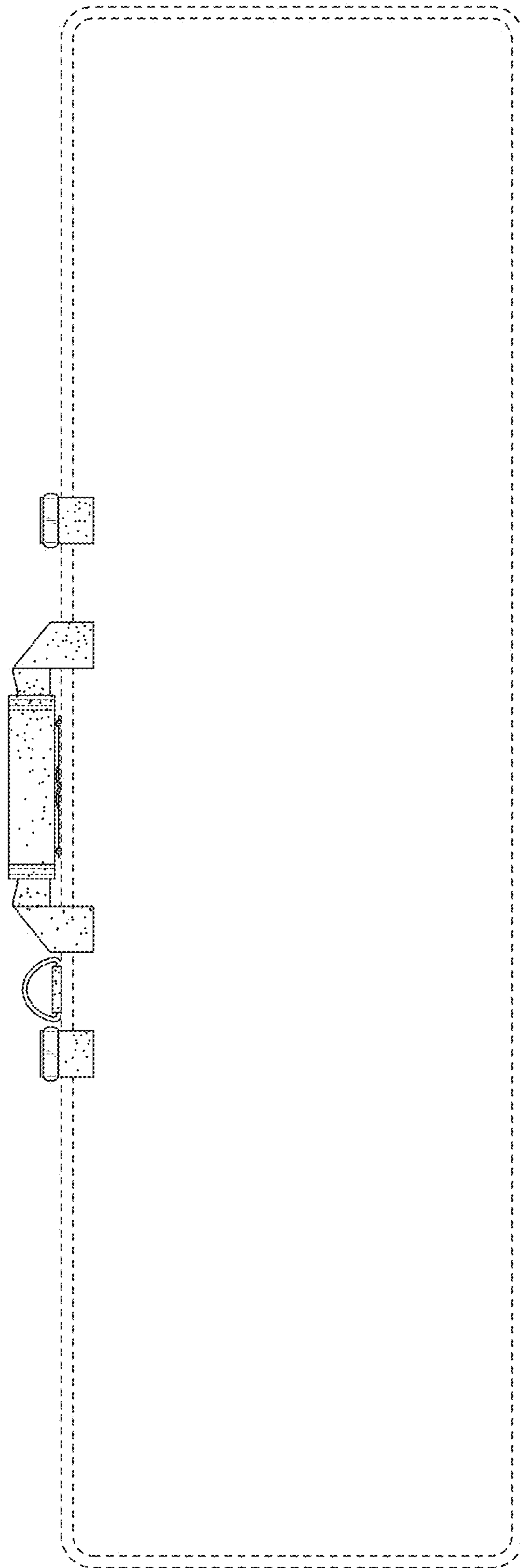


FIG. 3

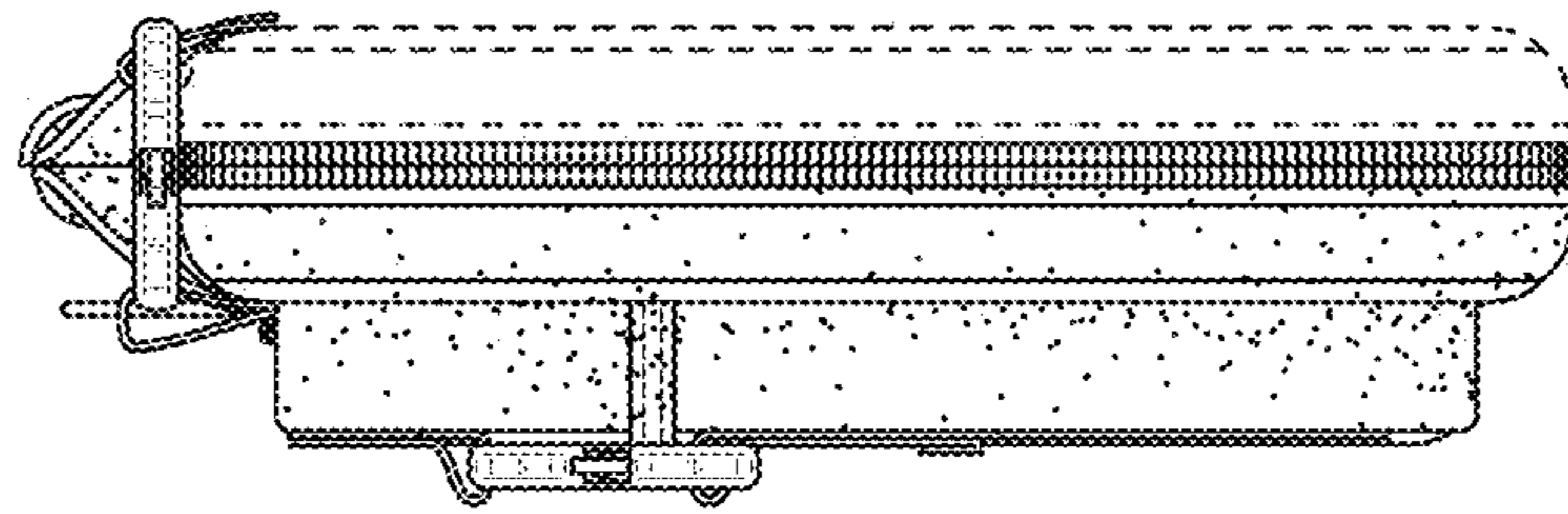


FIG. 5

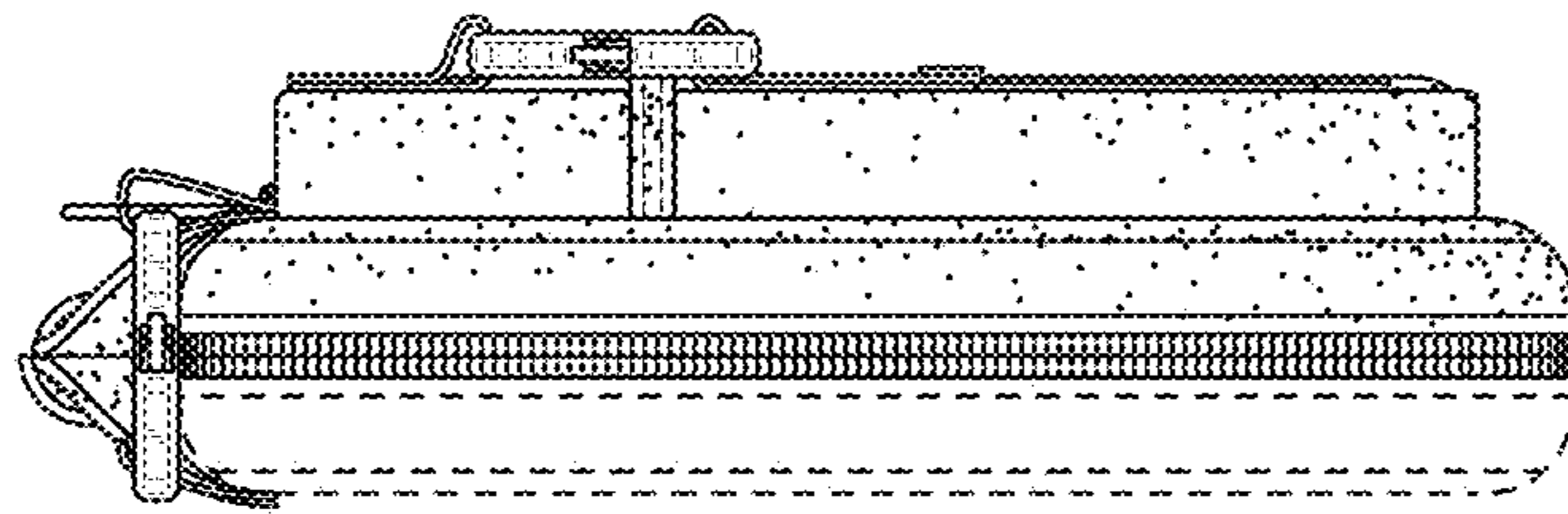


FIG. 4

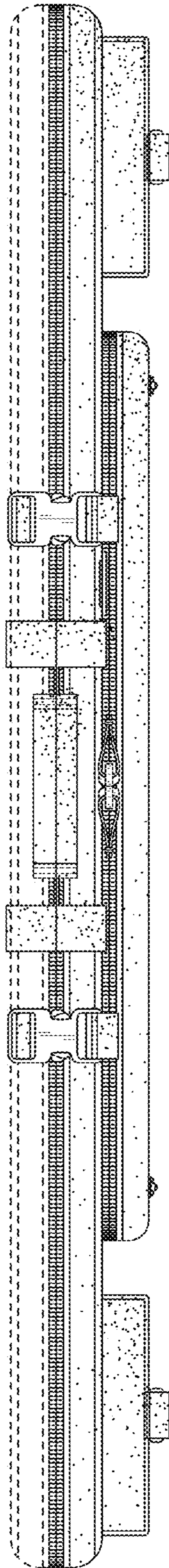


FIG. 6

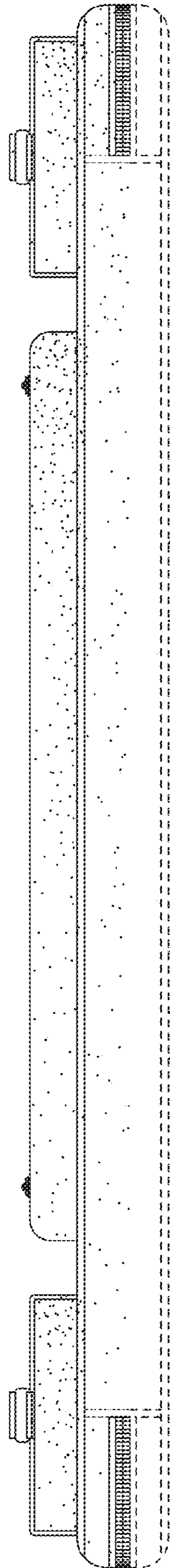


FIG. 7