



US00D893179S

(12) **United States Design Patent**  
**Finelli et al.**

(10) **Patent No.:** **US D893,179 S**

(45) **Date of Patent:** **\*\* Aug. 18, 2020**

(54) **BINDING BAG**

(71) Applicants: **Lauren Finelli**, Tarrytown, NY (US);  
**Matt Snedecor**, Tarrytown, NY (US)

(72) Inventors: **Lauren Finelli**, Tarrytown, NY (US);  
**Matt Snedecor**, Tarrytown, NY (US)

(\*\*) Term: **15 Years**

(21) Appl. No.: **29/685,100**

(22) Filed: **Mar. 26, 2019**

3,921,871 A \* 11/1975 Heil ..... A63C 11/027  
220/8  
4,126,254 A \* 11/1978 Sahakian ..... A45C 11/00  
206/315.1  
4,161,268 A \* 7/1979 Heil ..... A63C 11/028  
206/315.1

(Continued)

**FOREIGN PATENT DOCUMENTS**

CA 1204459 A 5/1986  
FR 2185426 A1 1/1974

(Continued)

**OTHER PUBLICATIONS**

Anonymous, Snow Ski Binding Cover, <https://www.alpineaccessories.com/Snow-ski-binding-cover/productinfo/TPBC/>, Date Accessed Jul. 10, 2018.

(Continued)

*Primary Examiner* — Mitchell I. Siegel  
(74) *Attorney, Agent, or Firm* — Werschulz Patent Law, LLC; Patricia P. Werschulz, Esq.

(57) **CLAIM**

The ornamental design for a binding bag, as shown and described.

**DESCRIPTION**

FIG. 1 is a perspective view of a binding bag, showing my new design;  
FIG. 2 is a front elevational view thereof;  
FIG. 3 is a top plan view thereof;  
FIG. 4 is a bottom plan view thereof;  
FIG. 5 is a rear elevational view thereof;  
FIG. 6 is a right side elevational view thereof; and,  
FIG. 7 is a left side elevational view thereof.  
The broken lines showing in FIGS. 1 through 7 are for the purpose of illustrating the environment of the article only and form no part of the claimed design.

**1 Claim, 4 Drawing Sheets**

**Related U.S. Application Data**

(63) Continuation of application No. 29/660,383, filed on Aug. 21, 2018, now Pat. No. Des. 847,502.

(51) **LOC (12) Cl.** ..... **03-01**

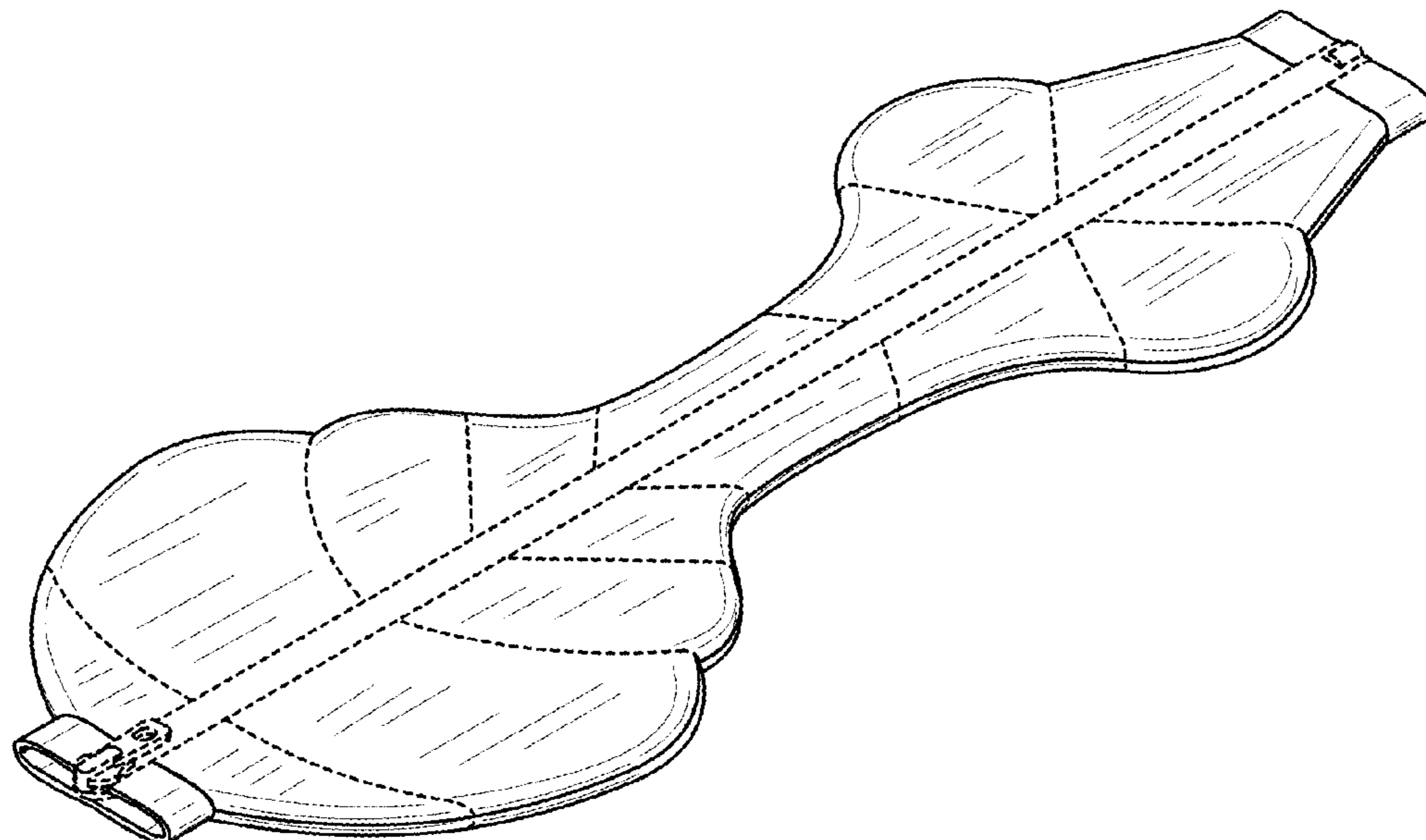
(52) **U.S. Cl.**  
USPC ..... **D3/261**

(58) **Field of Classification Search**  
USPC ..... D3/201, 216, 221, 254, 261, 273, 301  
CPC ..... A63C 11/00; A63C 11/02; A63C 11/023;  
A63C 11/025  
See application file for complete search history.

(56) **References Cited**

**U.S. PATENT DOCUMENTS**

2,250,388 A \* 7/1941 Mickelberg ..... A63C 11/02  
206/315.1  
3,336,961 A \* 8/1967 Welsh ..... A63C 11/027  
206/315.1  
D222,848 S \* 1/1972 Van Ausdall ..... D3/261  
3,737,171 A 6/1973 Becker  
3,851,689 A \* 12/1974 Kohls ..... A63C 11/027  
206/315.1  
3,889,861 A 6/1975 Fihn  
3,896,981 A \* 7/1975 Purple ..... A63C 11/027  
206/315.1



(56)

References Cited

U.S. PATENT DOCUMENTS

4,196,762 A \* 4/1980 Goodwin ..... A45C 3/00  
206/315.1  
D257,913 S \* 1/1981 O'Dair ..... D3/261  
D267,443 S \* 1/1983 Salas  
D270,495 S \* 9/1983 Owings ..... D3/261  
D296,387 S \* 6/1988 Anderson ..... D3/261  
4,792,073 A \* 12/1988 Jacober ..... A45F 5/00  
206/315.1  
4,815,509 A \* 3/1989 Owen ..... A63C 11/00  
206/315.1  
D305,831 S \* 2/1990 Vanderhorst ..... D3/261  
D320,112 S \* 9/1991 Wirth ..... D3/261  
D321,430 S \* 11/1991 Wirth ..... D3/261  
D329,743 S \* 9/1992 Heisick ..... D3/261  
D332,695 S \* 1/1993 Moscovitch ..... D3/261  
5,277,305 A 1/1994 Sciortino  
5,350,096 A 9/1994 Sieber  
D362,115 S \* 9/1995 Moneta ..... D3/261  
D392,801 S \* 3/1998 Hields ..... D3/261

5,758,770 A \* 6/1998 Moneta ..... A63C 11/025  
206/315.1  
6,422,385 B1 \* 7/2002 Smith ..... A63C 11/02  
206/315.1  
6,736,263 B1 \* 5/2004 Smith ..... A63C 11/02  
150/154  
D554,858 S \* 11/2007 Malloy ..... D3/254  
D604,952 S 12/2009 Metzger et al.  
D847,502 S \* 5/2019 Finelli ..... D3/261

FOREIGN PATENT DOCUMENTS

JP H0728582 U 5/1995  
JP H07222842 A 8/1995  
WO 9200784 A1 1/1992

OTHER PUBLICATIONS

Anonymous, Transpackski Binding Cover, <https://www.amazon.ca/Transpack-Ski-Binding-Cover/dp/B000I6Q9LK>, Date Accessed Jul. 10, 2018.

\* cited by examiner

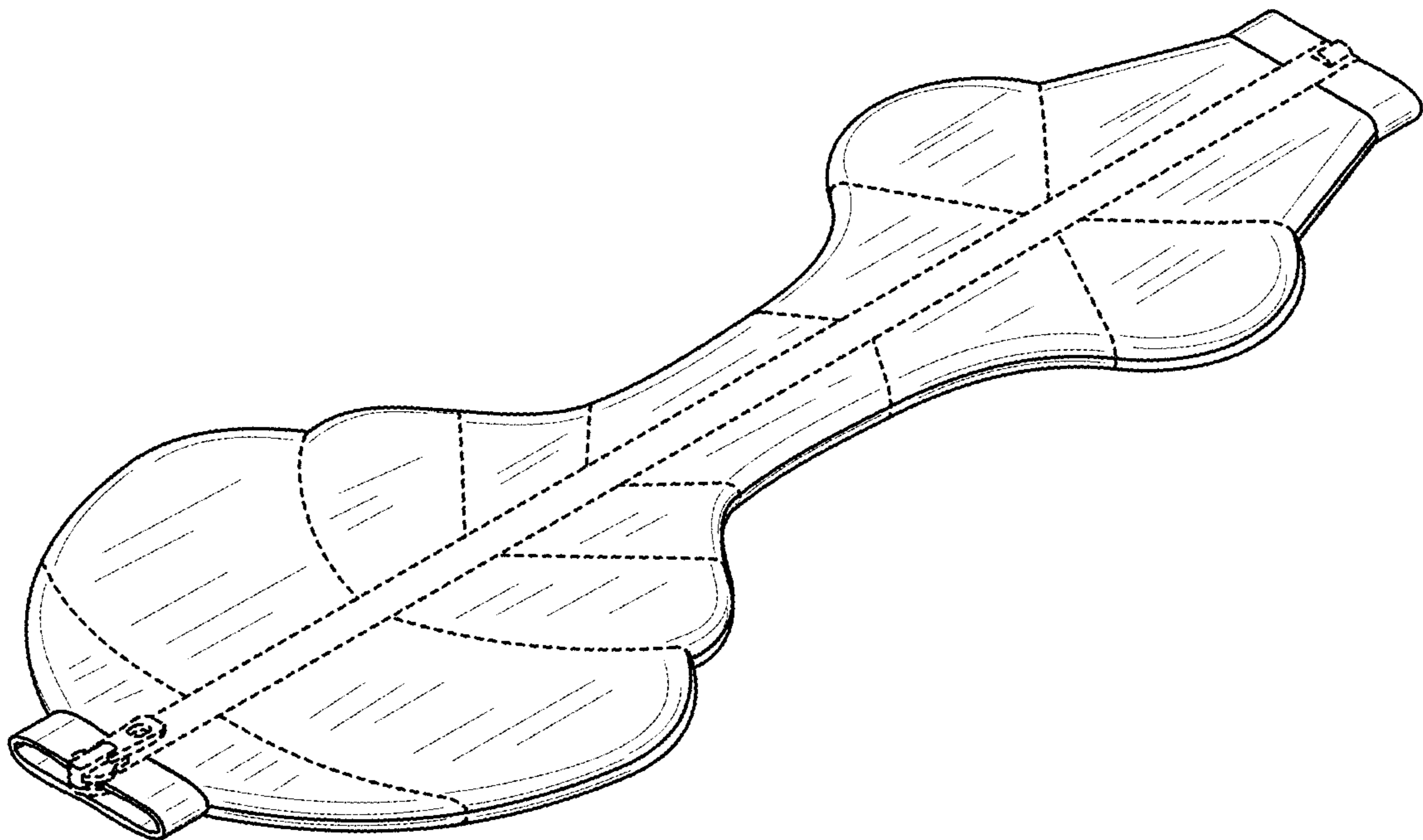


FIG. 1



FIG. 2

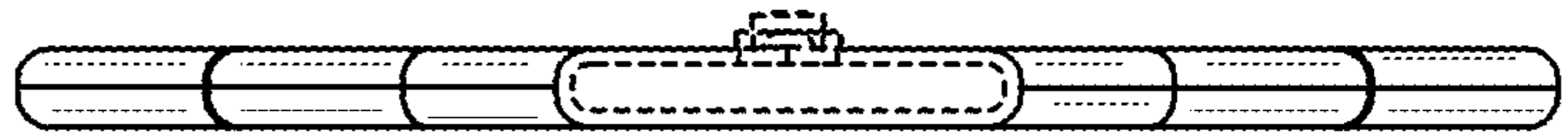


FIG. 3

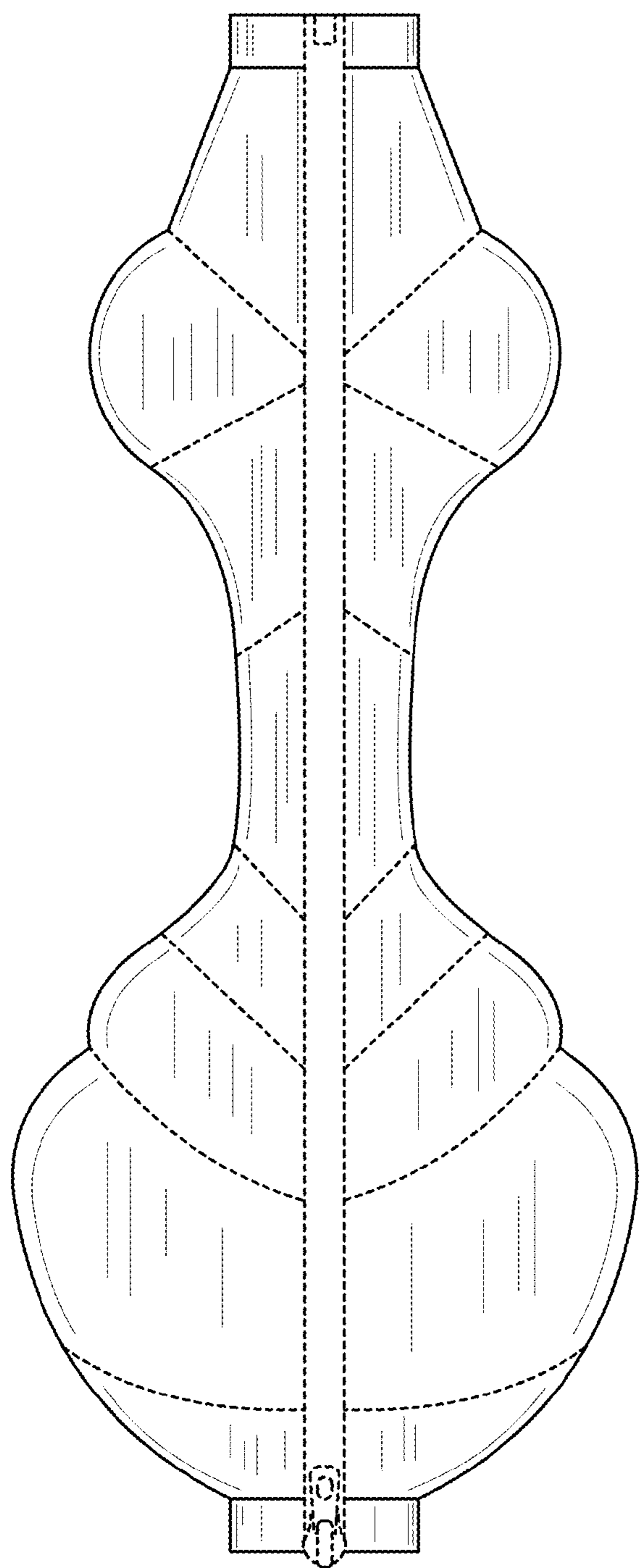


FIG. 4

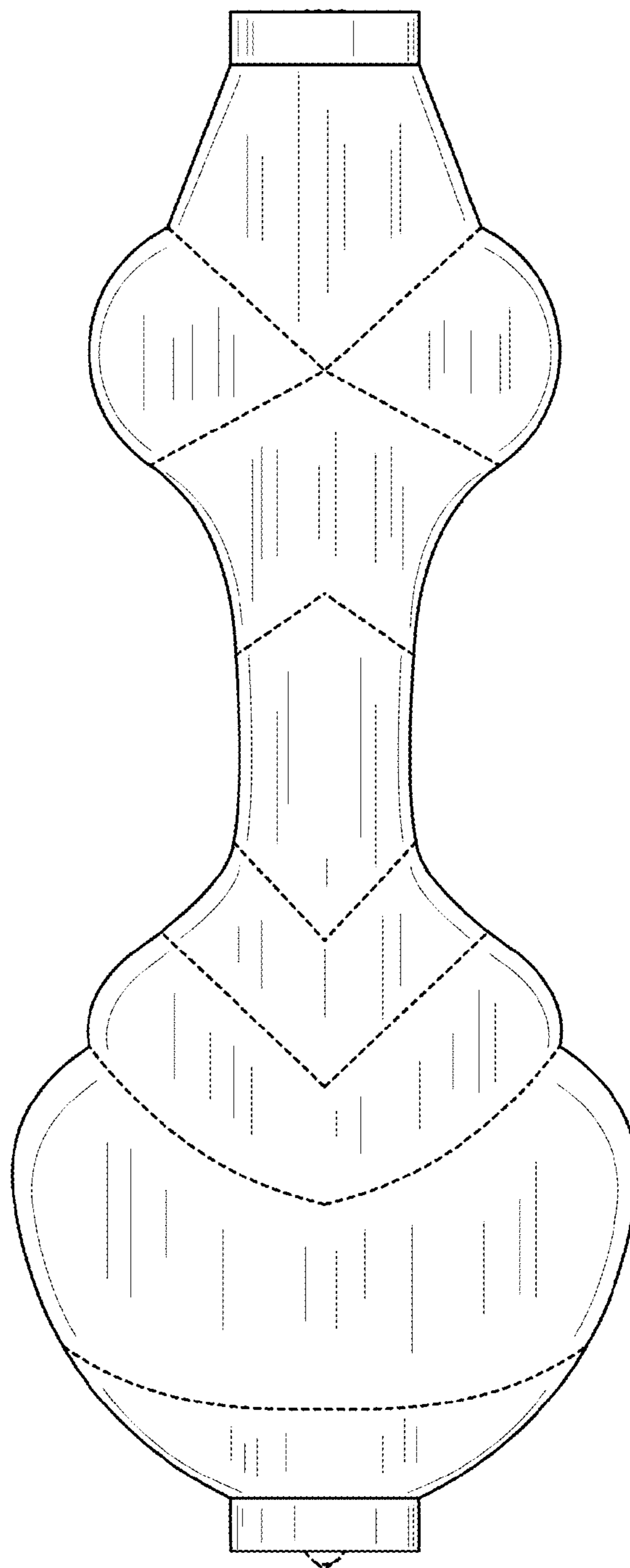
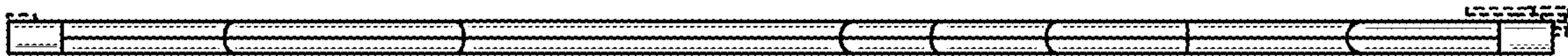


FIG. 5



*FIG. 6*



*FIG. 7*