



US00D893178S

(12) **United States Design Patent**
Lubotta

(10) **Patent No.:** **US D893,178 S**

(45) **Date of Patent:** **** Aug. 18, 2020**

(54) **SKI BOX**

(71) Applicant: **LLTEK MOTORSPORTS CORP.**,
Montreal (CA)

(72) Inventor: **Mark Lubotta**, Montreal (CA)

(**) Term: **15 Years**

(21) Appl. No.: **29/674,308**

(22) Filed: **Dec. 20, 2018**

(51) **LOC (12) Cl.** **03-01**

(52) **U.S. Cl.**
USPC **D3/261**

(58) **Field of Classification Search**
USPC D6/261, 201, 254, 269, 272, 273, 294;
D12/413
CPC B60R 9/055; B60R 9/048; B60R 9/12;
A63C 11/02–11/028
See application file for complete search history.

(56) **References Cited**

U.S. PATENT DOCUMENTS

D210,451 S *	3/1968	Gardner	D12/413
D212,139 S *	8/1968	Alexander et al.	D3/261
D230,378 S *	2/1974	Eisenberg	D3/261
3,917,137 A *	11/1975	Wilkins	A63C 11/025 294/147
3,921,871 A *	11/1975	Heil	A63C 11/027 224/250
4,084,735 A *	4/1978	Kappas	B60R 9/055 211/70.5
4,126,254 A *	11/1978	Sahakian	A45C 11/00 206/315.1
D250,526 S *	12/1978	Breitschwerdt	D12/413
D257,913 S *	1/1981	O'Dair	D3/261
D264,832 S *	6/1982	Lind	D12/413
D265,814 S *	8/1982	Brorsson	D12/413
D265,897 S *	8/1982	Gerber	D12/413
D267,443 S *	1/1983	Salas	D3/261

D270,495 S *	9/1983	Owings	D3/261
D279,972 S *	8/1985	Marovich	D12/413
D289,151 S *	4/1987	Forsman	D12/413
4,860,935 A *	8/1989	Pavlinsky	A63C 11/027 224/615
4,953,773 A *	9/1990	Wirth	A63C 11/027 206/315.1
D321,430 S *	11/1991	Wirth	D3/261
D332,243 S *	1/1993	Collins	D12/413
D332,695 S *	1/1993	Moscovitch	D3/261
D333,724 S *	3/1993	Dimacopoulos	D3/259
D342,049 S *	12/1993	Harrison	D12/413
5,285,942 A *	2/1994	Wills	A63C 11/026 220/4.22
D356,991 S *	4/1995	Wooten	D12/413

(Continued)

Primary Examiner — Mitchell I. Siegel

(74) *Attorney, Agent, or Firm* — Benoît & Côté Inc.;
France Côté

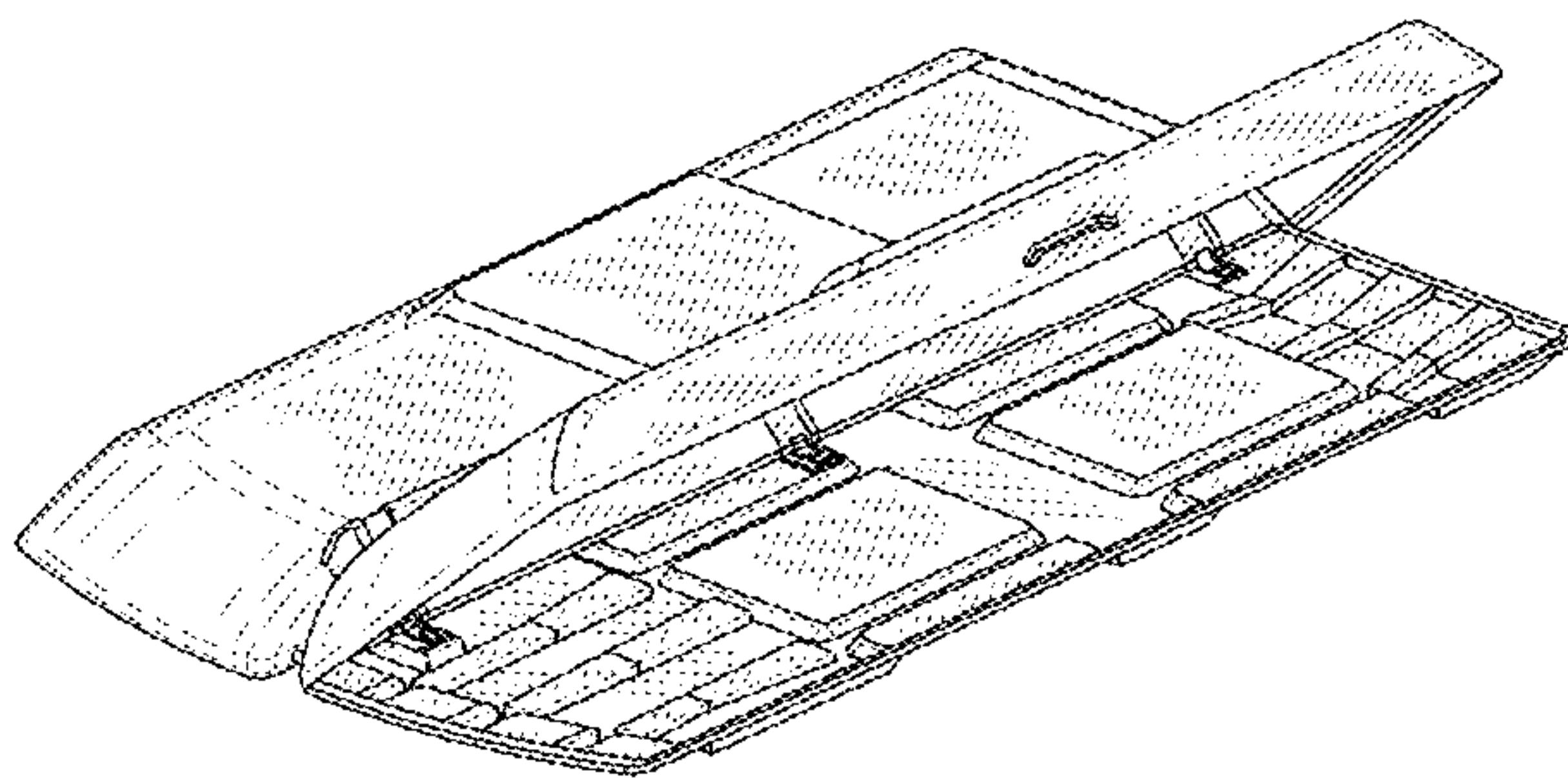
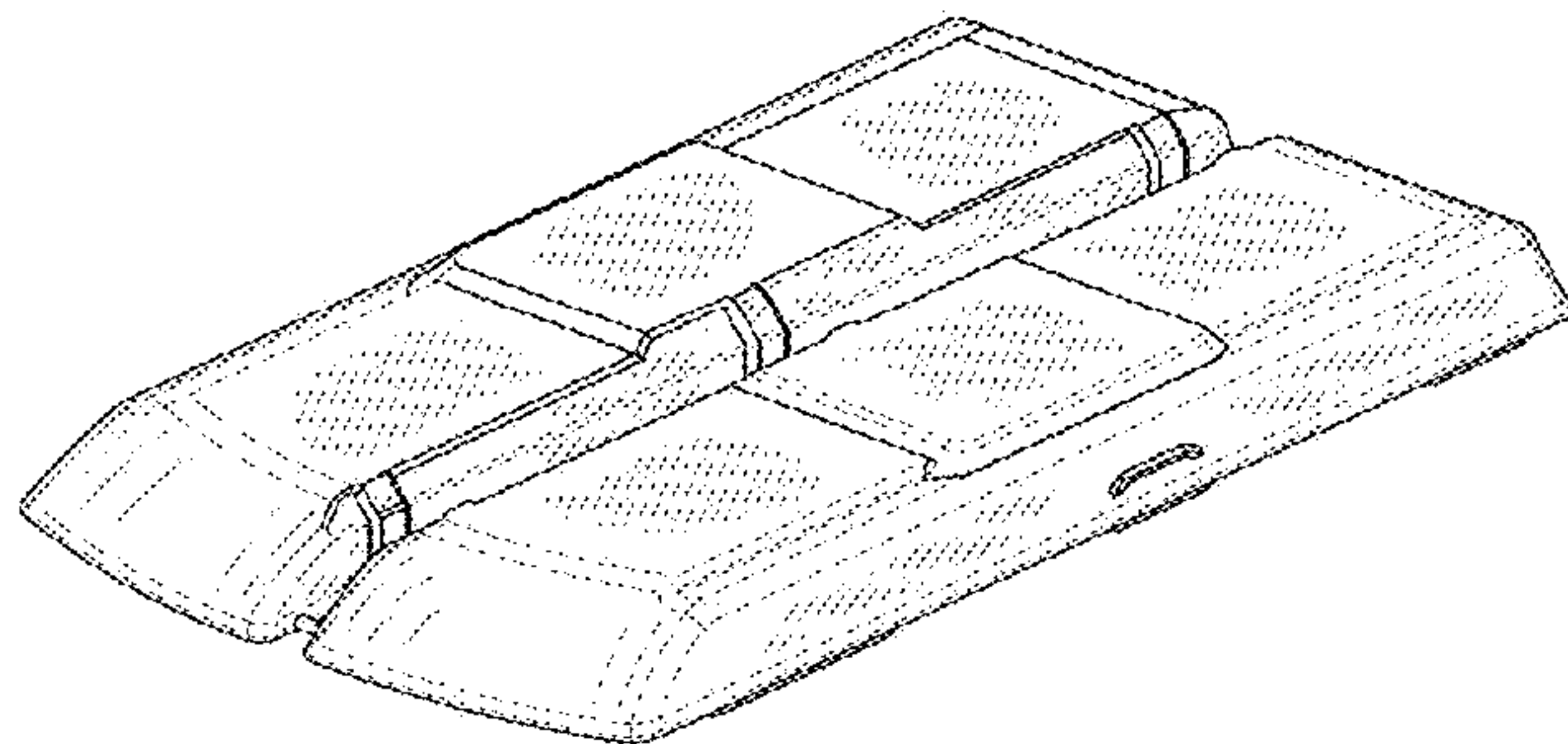
(57) **CLAIM**

I claim the ornamental design for ski box, as shown and described.

DESCRIPTION

FIG. 1 is a perspective view of the ski box in accordance with the present design shown in a closed position;
 FIG. 2 is a perspective view of the ski box in accordance with the present design shown in an open position;
 FIG. 3 is a front elevation view of the ski box of FIG. 1;
 FIG. 4 is a back elevation view of the ski box of FIG. 1;
 FIG. 5 is a right side elevation view of the ski box of FIG. 1;
 FIG. 6 is a left side elevation view of the other side of the ski box of FIG. 1;
 FIG. 7 is a top plan view of the ski box of FIG. 1;
 FIG. 8 is a bottom plan view of the ski box of FIG. 1; and,
 FIG. 9 is a right side elevation view of the ski box of FIG. 2.

1 Claim, 9 Drawing Sheets



(56)

References Cited

U.S. PATENT DOCUMENTS

5,415,333 A * 5/1995 Wills A63C 11/026
224/309
D362,115 S * 9/1995 Moneta D3/261
D362,543 S * 9/1995 Vincent D3/254
D362,545 S * 9/1995 Vincent D3/261
D367,168 S * 2/1996 Vincent D3/261
D367,169 S * 2/1996 Vincent D3/261
D379,870 S * 6/1997 Moneta D3/261
D392,801 S * 3/1998 Hields D3/261
5,758,770 A * 6/1998 Moneta A63C 11/025
206/315.1
D473,181 S * 4/2003 Schappach D12/413
9,688,210 B2 * 6/2017 Fritsche B60R 9/055
D805,148 S * 12/2017 Ford D21/754
10,118,083 B2 * 11/2018 Ford A63C 11/023
D852,500 S * 7/2019 Ford D3/254
D868,673 S * 12/2019 Eriksson D12/413

* cited by examiner

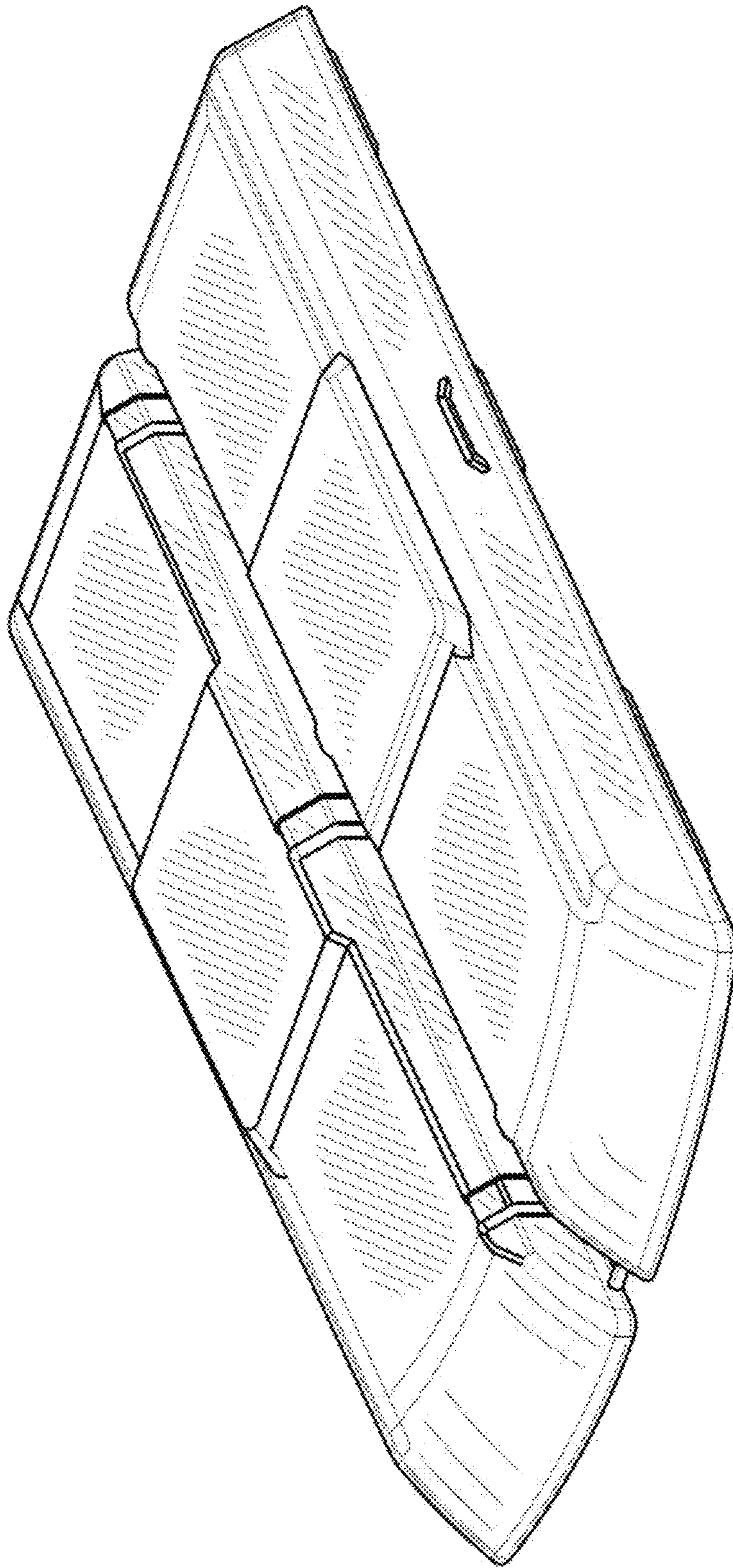


FIGURE 1

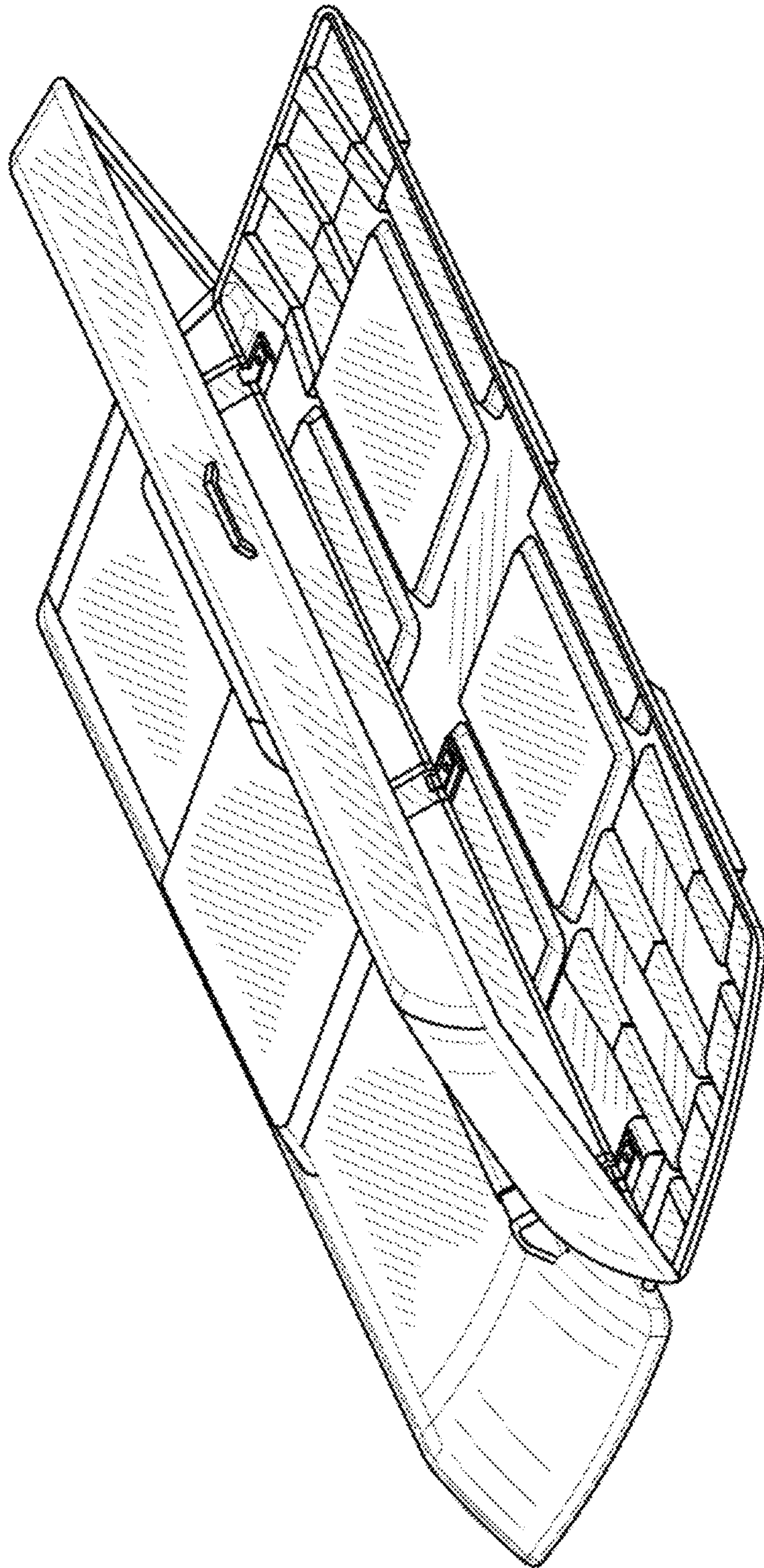


FIGURE 2

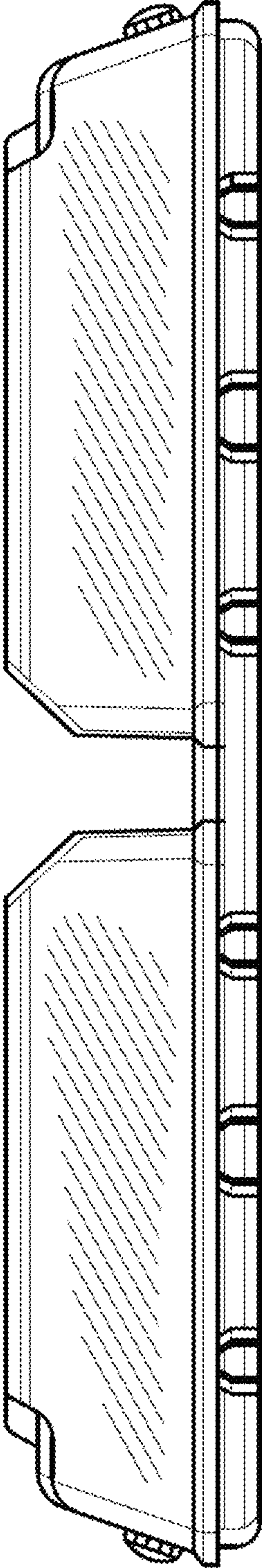


FIGURE 3

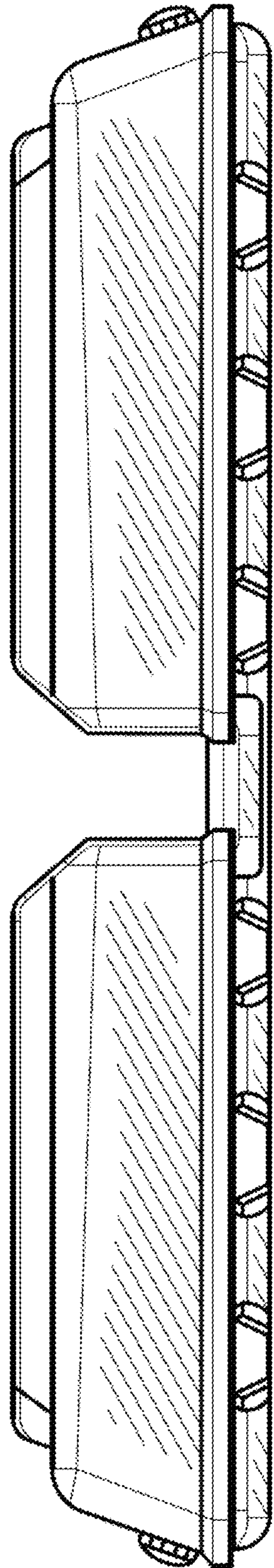


FIGURE 4

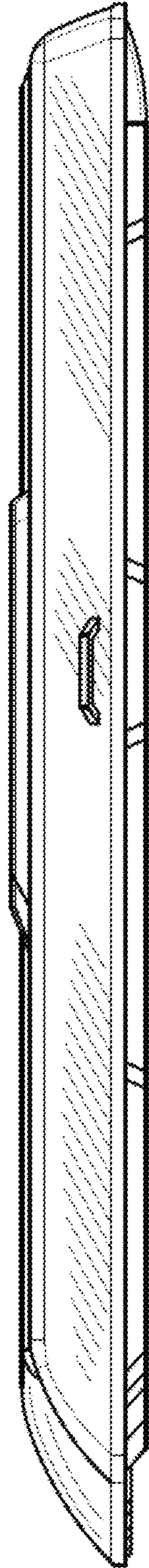


FIGURE 5

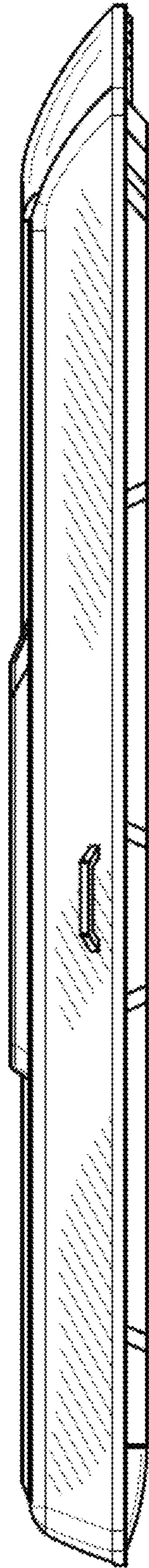


FIGURE 6

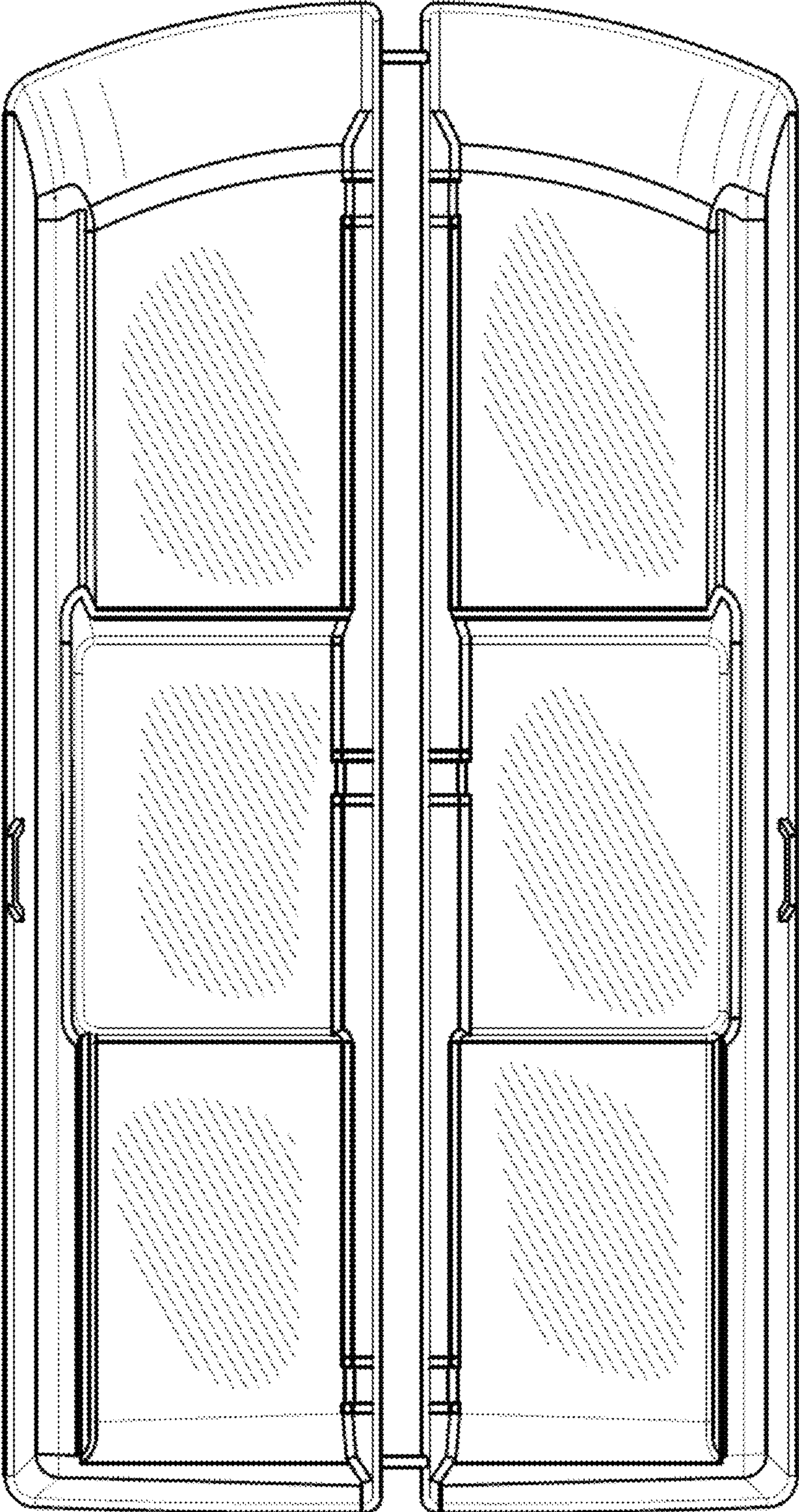


FIGURE 7

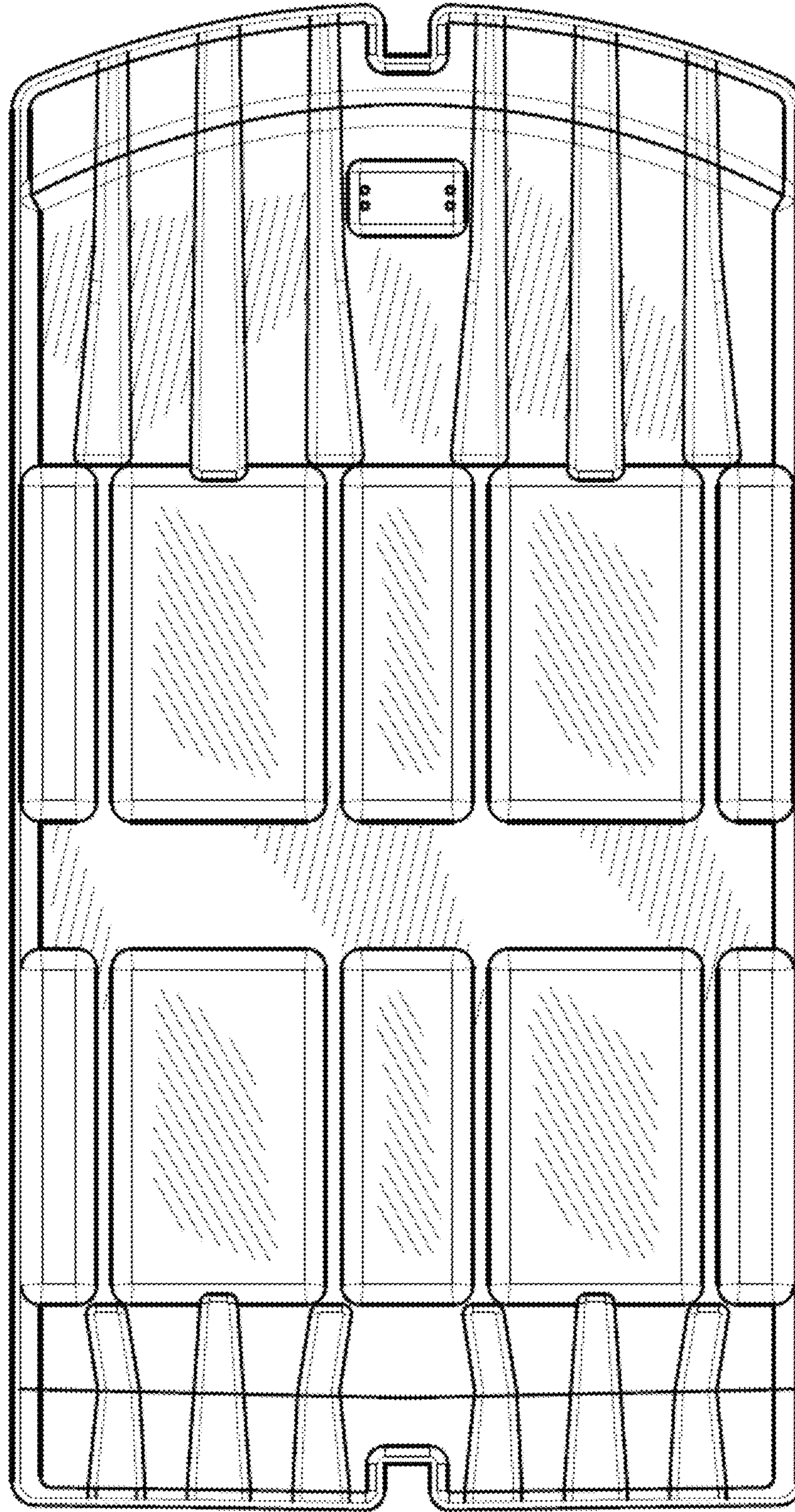


FIGURE 8

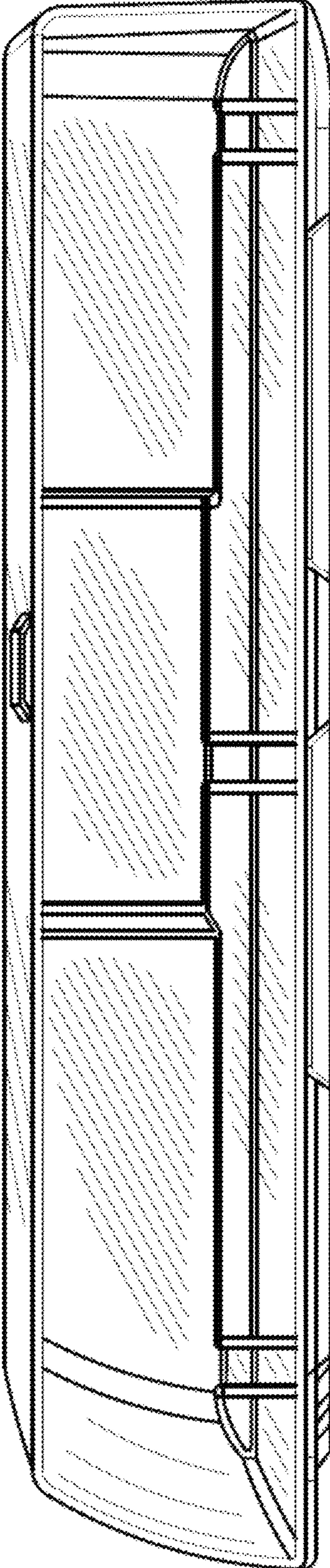


FIGURE 9