



US00D893177S

(12) **United States Design Patent**
Berghoff

(10) **Patent No.:** **US D893,177 S**

(45) **Date of Patent:** **** Aug. 18, 2020**

(54) **TEMPLE ORDINANCE CARD ORGANIZER**

(71) Applicant: **Sherene A. Berghoff**, Orem, UT (US)

(72) Inventor: **Sherene A. Berghoff**, Orem, UT (US)

(73) Assignee: **Sherene A. Berghoff**, Orem, UT (US)

(**) Term: **15 Years**

(21) Appl. No.: **29/682,183**

(22) Filed: **Mar. 1, 2019**

(51) **LOC (12) Cl.** **03-01**

(52) **U.S. Cl.**
USPC **D3/247**

(58) **Field of Classification Search**
USPC D3/247, 249–253; D19/90, 26, 86
CPC A45C 11/34; A45C 11/36; A45C 1/06;
A45C 3/08; B42F 7/00; B42F 17/00;
B42F 17/02; B42F 17/18; B65D 5/4212;
B65D 75/54

See application file for complete search history.

(56) **References Cited**

U.S. PATENT DOCUMENTS

| | | | | |
|--------------|---------|----------------|-------|--------|
| D344,181 S * | 2/1994 | Guzman-Rosario | | D3/249 |
| D359,310 S * | 6/1995 | Su | | D19/26 |
| D477,842 S * | 7/2003 | Morris | | D19/26 |
| D482,162 S * | 11/2003 | Bostroem | | D28/77 |
| D547,547 S * | 7/2007 | Maurion | | D3/247 |

* cited by examiner

Primary Examiner — Holly H Baynham

(74) *Attorney, Agent, or Firm* — Durham Jones & Pinegar, P.C., Intellectual Property Law Group

(57) **CLAIM**

The ornamental design for a temple ordinance card organizer, as shown and described.

DESCRIPTION

FIG. 1 is a frontal perspective view of a design for a temple ordinance card organizer;

FIG. 2 is a front view thereof;

FIG. 3 is a rear view thereof;

FIG. 4 is a first side view thereof;

FIG. 5 is a second side view thereof;

FIG. 6 is a top view thereof; and

FIG. 7 is a bottom view thereof.

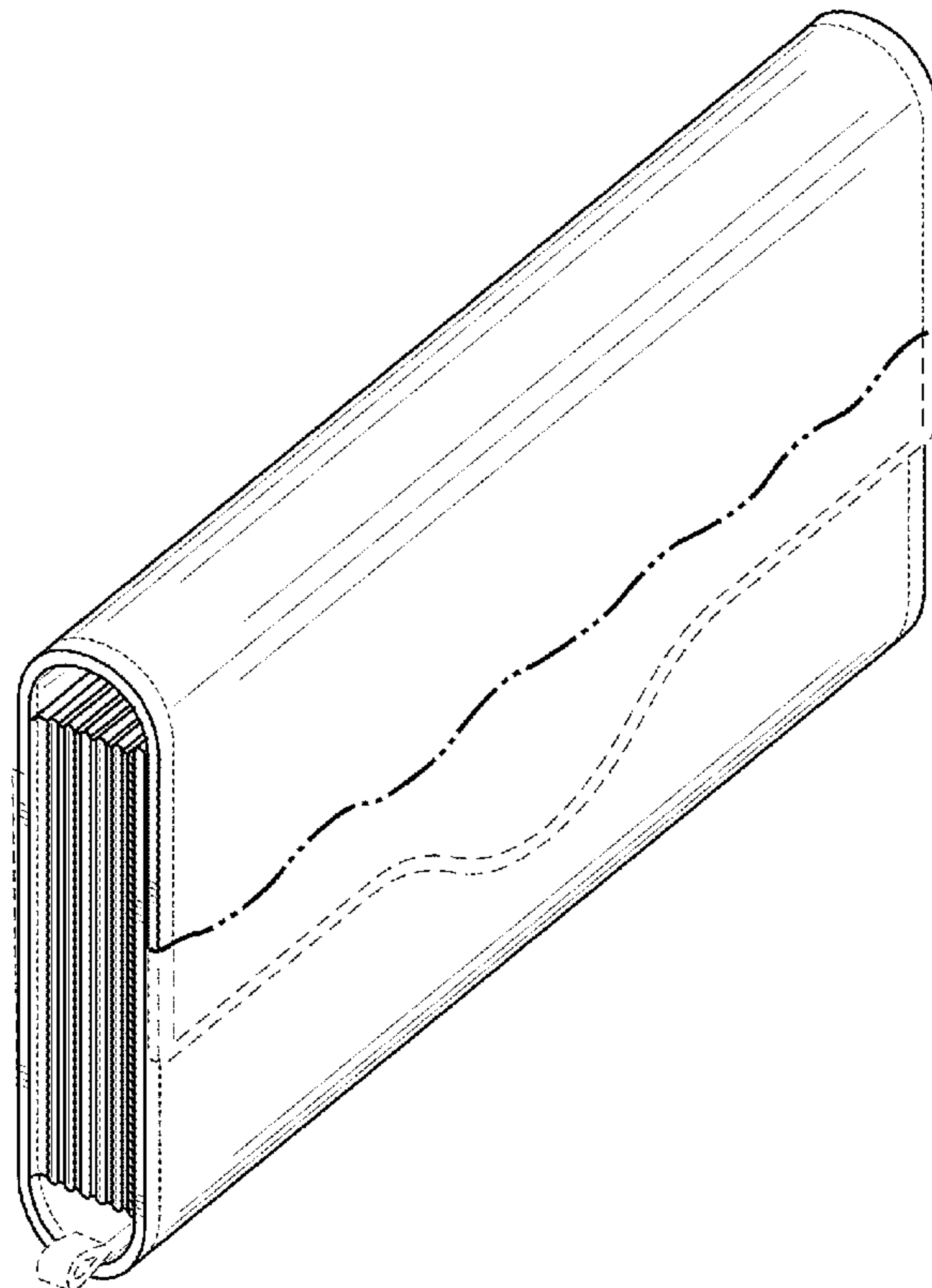
FIG. 8 is a rear perspective view thereof;

FIG. 9 is a front perspective view thereof, showing the temple ordinance card organizer in an open arrangement; and,

FIG. 10 is a front perspective view thereof, showing the temple ordinance card organizer in an open arrangement, with dividers thereof pulled forward to show pockets on the rear inside surface thereof.

The evenly spaced broken lines showing portions of the card organizer are for the purposes of illustrating environment. The smaller broken lines illustrate stitching. The dot-dash broken lines illustrate the bounds of the claimed design. None of the broken lines form part of the claimed design.

1 Claim, 6 Drawing Sheets



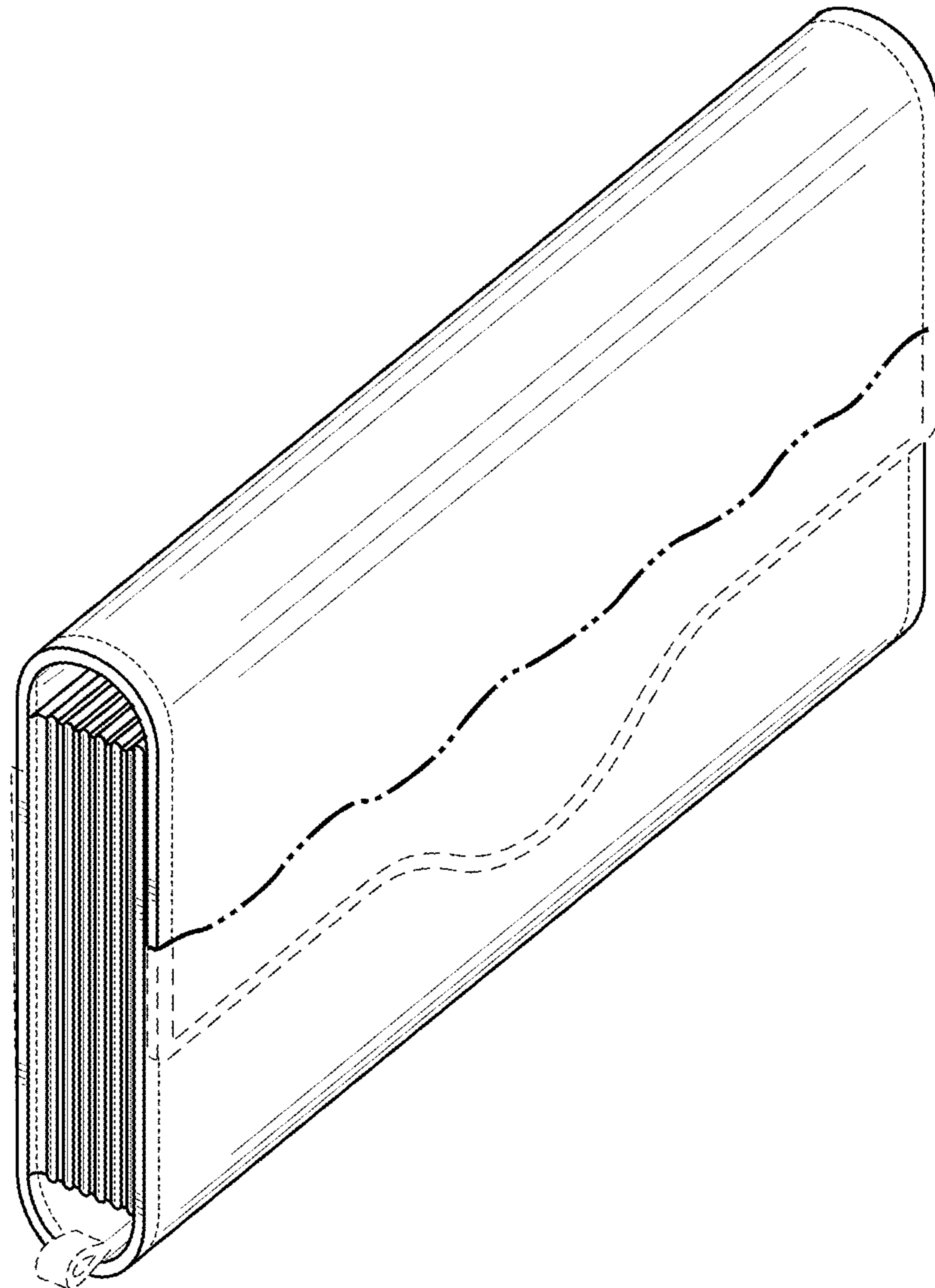


FIG. 1

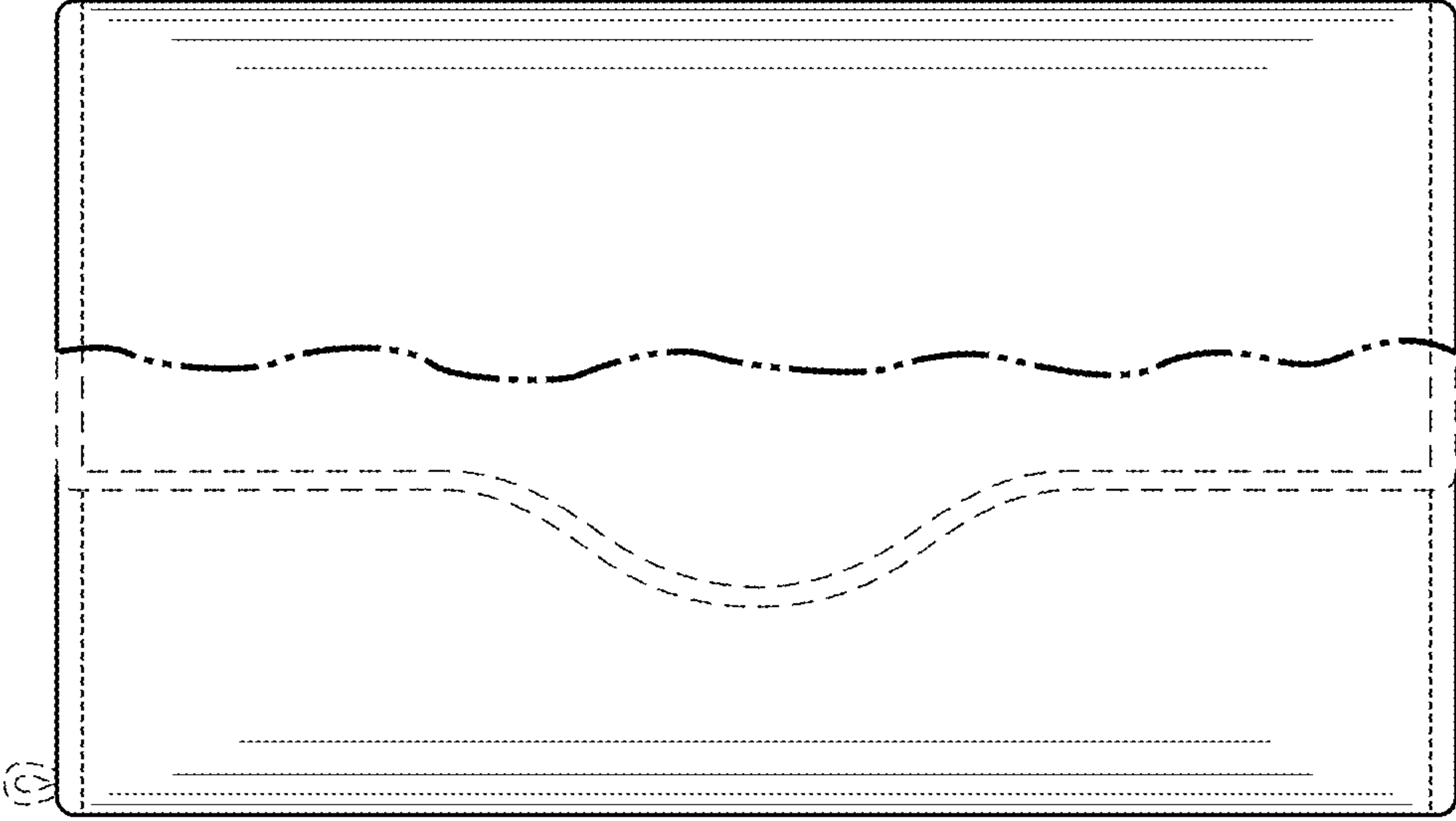


FIG. 2

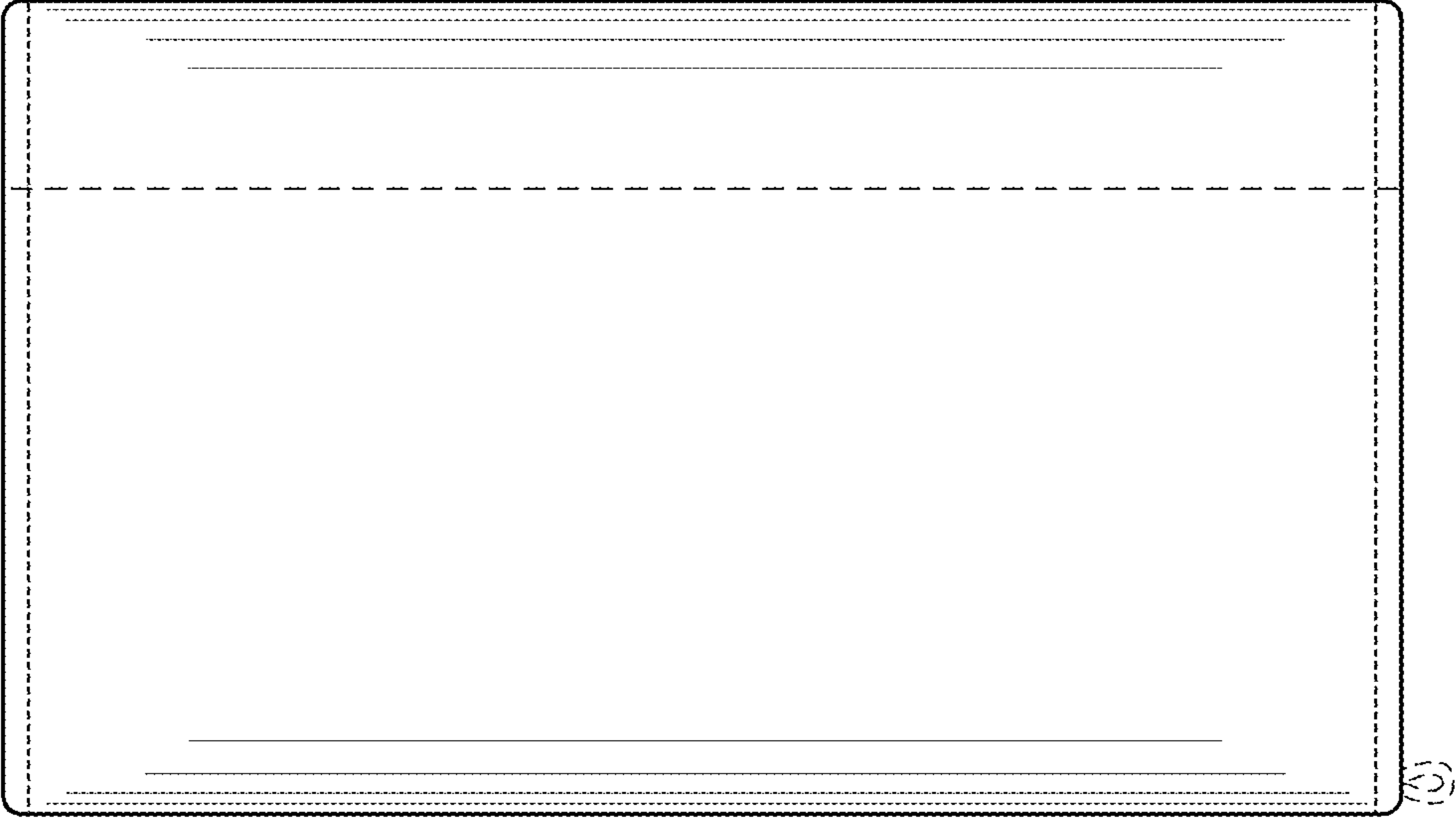


FIG. 3

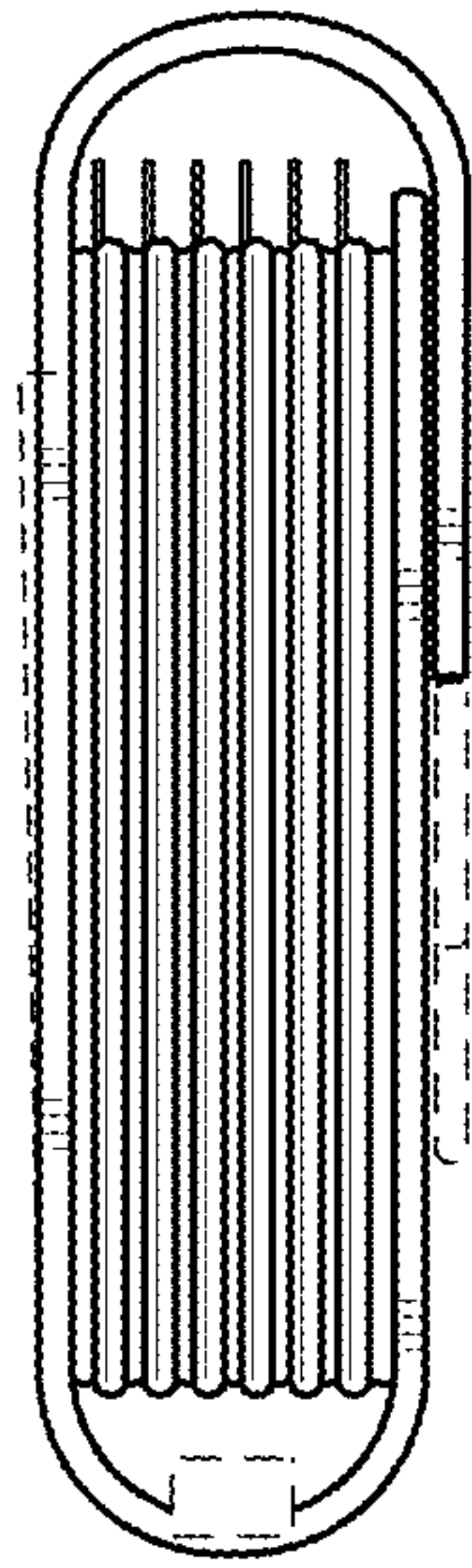


FIG. 4

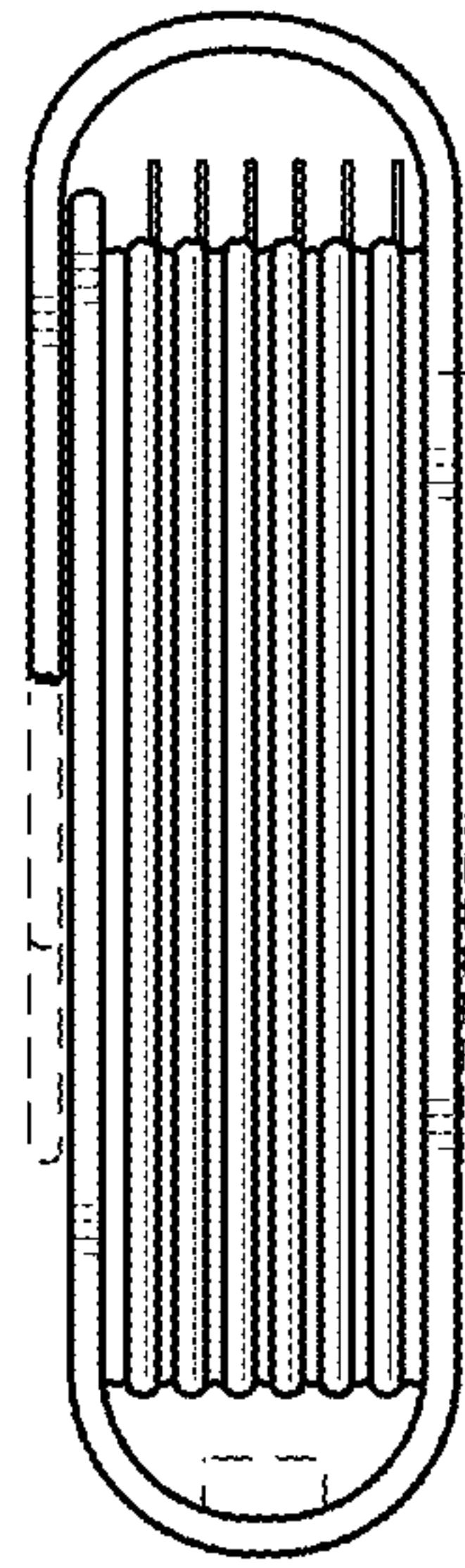


FIG. 5

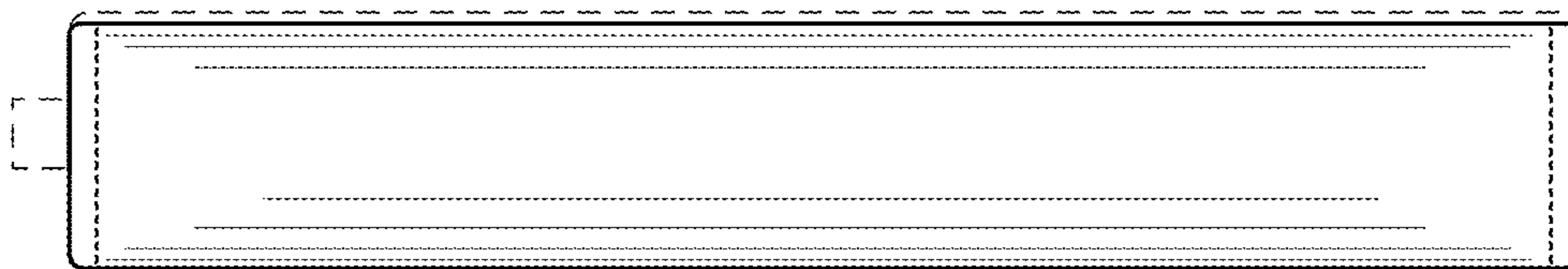


FIG. 6

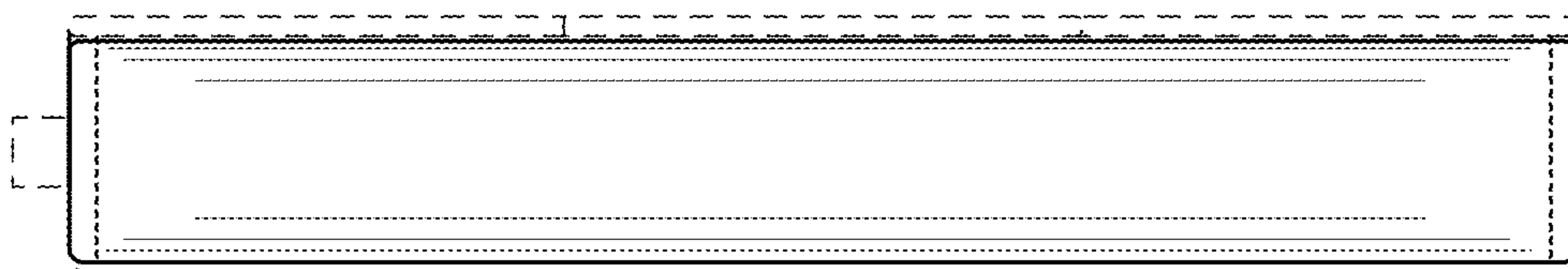


FIG. 7

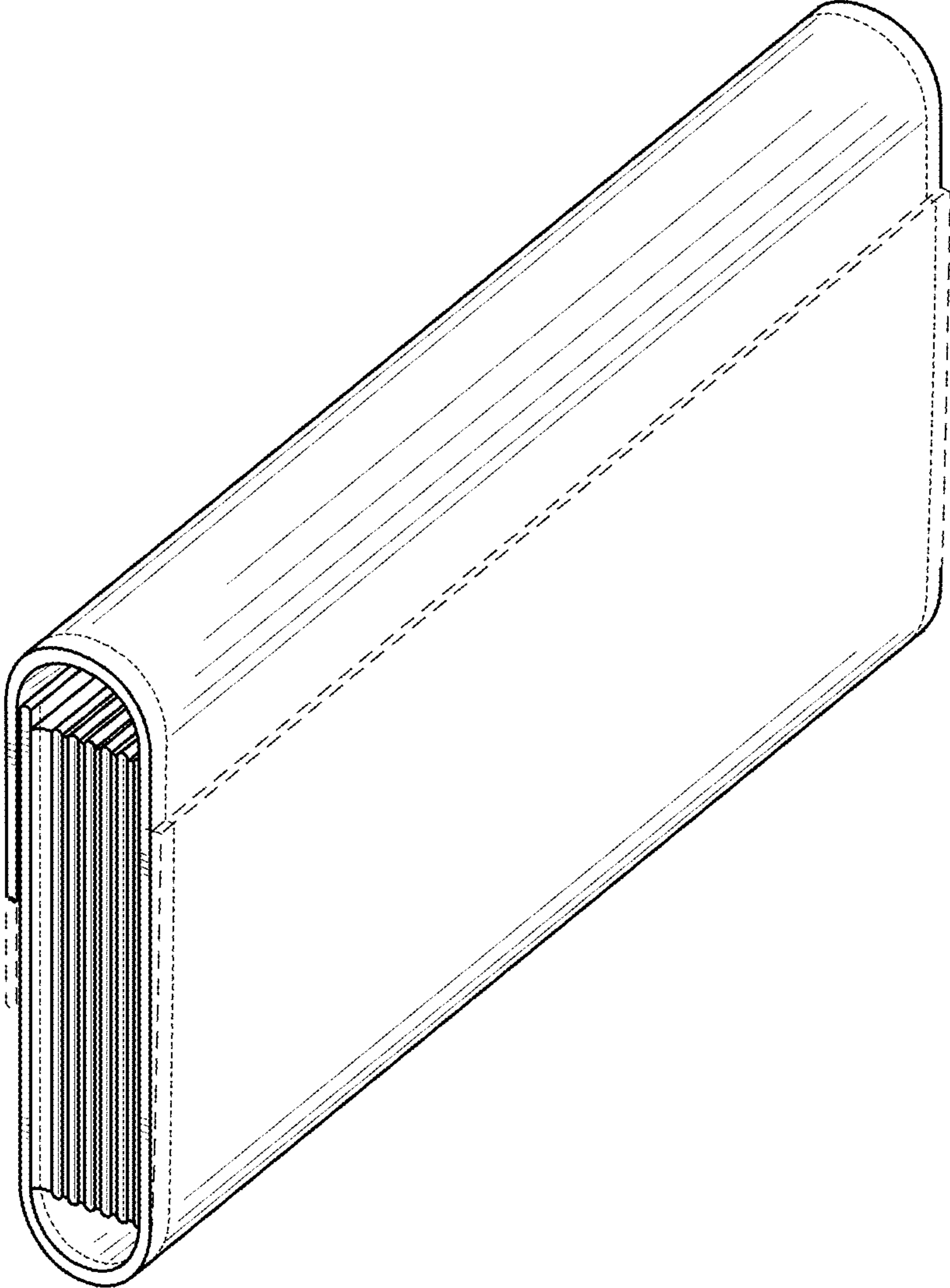


FIG. 8

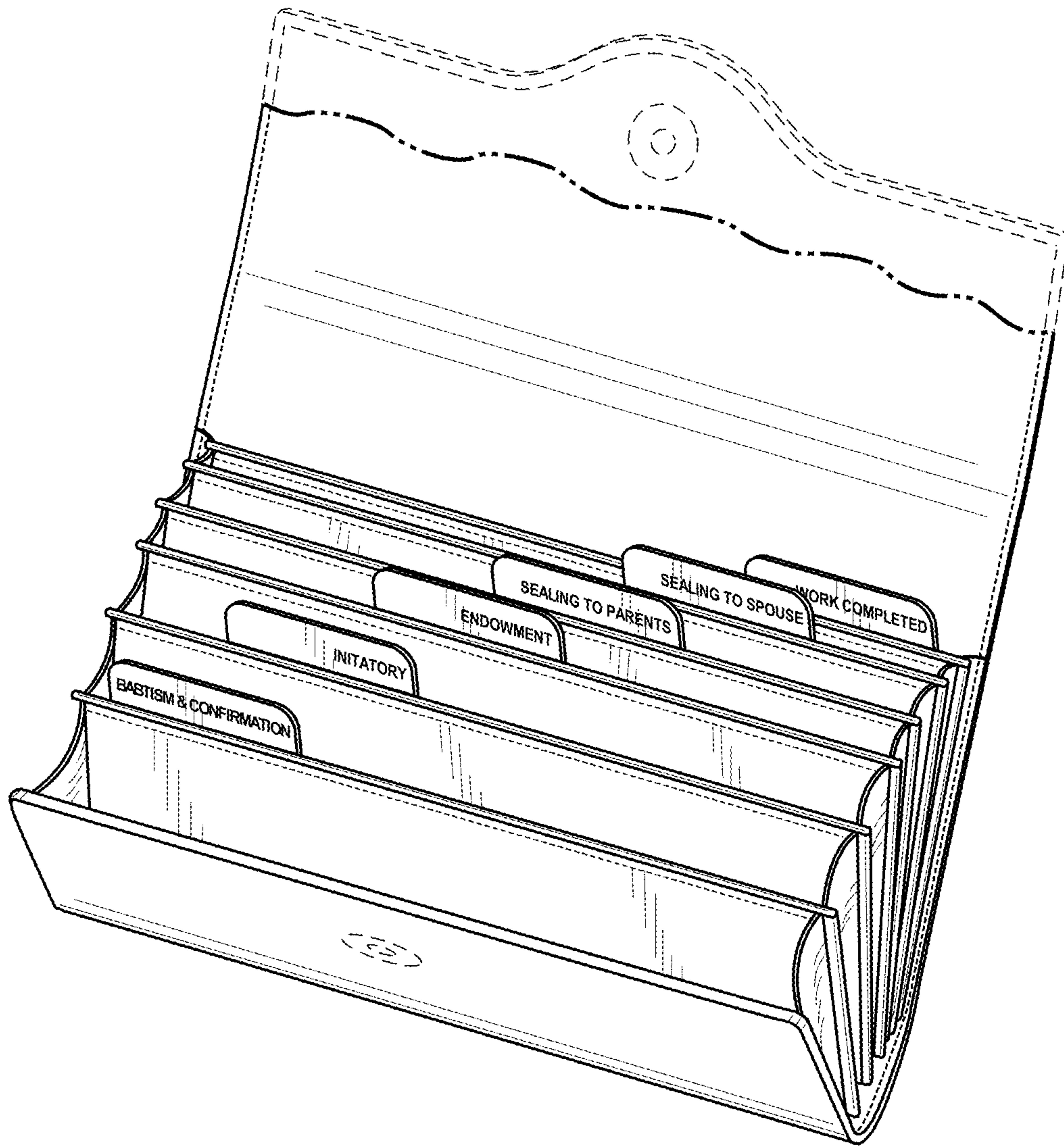


FIG. 9

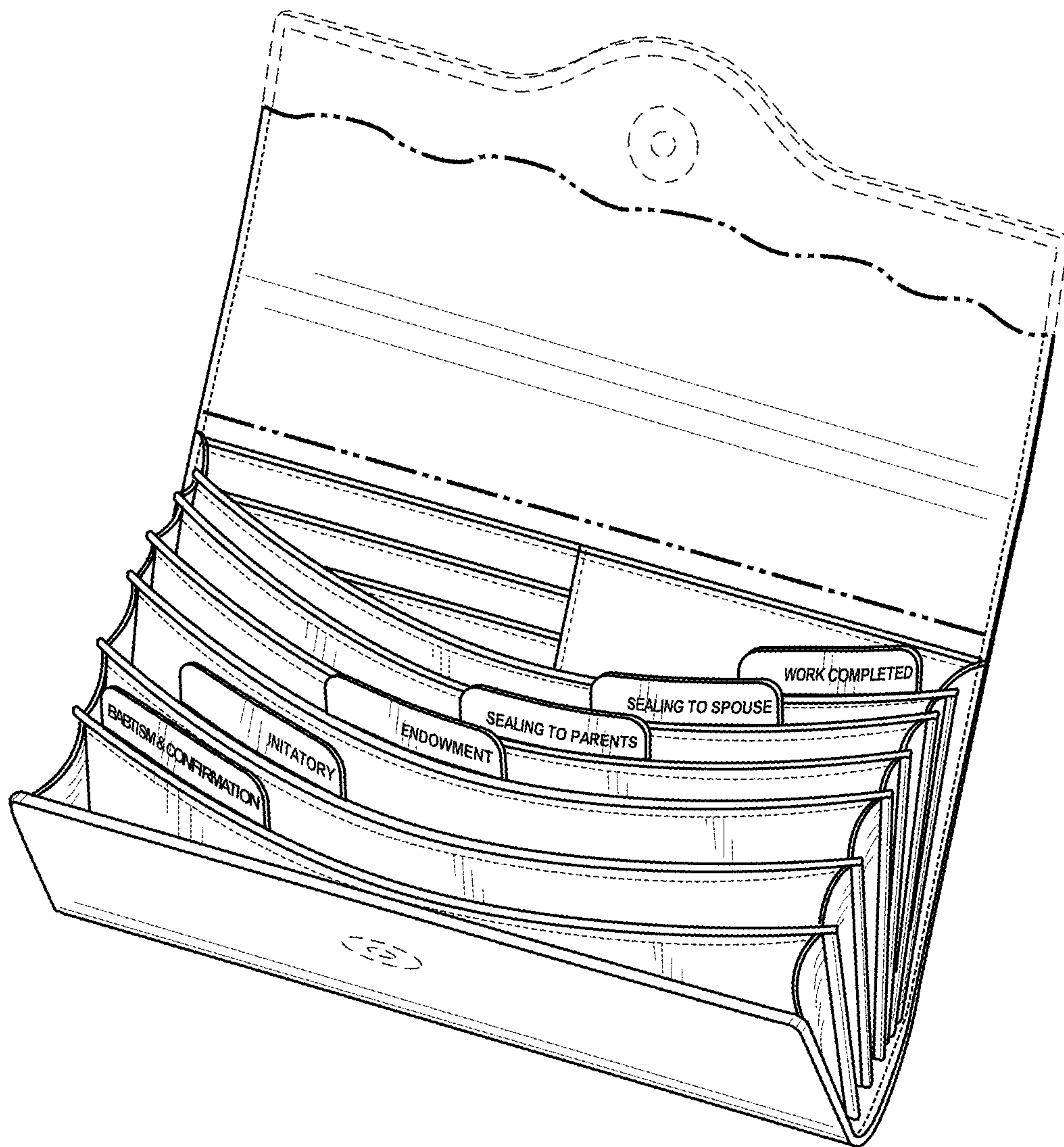


FIG. 10