



US00D893175S

(12) **United States Design Patent**  
**Lemaire**

(10) **Patent No.:** **US D893,175 S**

(45) **Date of Patent:** **\*\* Aug. 18, 2020**

(54) **HANDBAG**

(71) Applicant: **LOUIS VUITTON MALLETIER,**  
Paris (FR)

(72) Inventor: **Alice Lemaire,** Paris (FR)

(73) Assignee: **LOUIS VUITTON MALLETIER,**  
Paris (FR)

(\*\*) Term: **15 Years**

(21) Appl. No.: **29/662,226**

(22) Filed: **Sep. 4, 2018**

(51) **LOC (12) Cl.** ..... **03-01**

(52) **U.S. Cl.**  
USPC ..... **D3/245**

(58) **Field of Classification Search**  
USPC ..... D3/232–233, 240–243, 245–246  
CPC ..... A45C 1/024; A45C 3/06  
See application file for complete search history.

(56) **References Cited**

**U.S. PATENT DOCUMENTS**

D394,949 S \* 6/1998 Petto ..... D3/245  
D414,082 S \* 9/1999 Keene ..... D3/246

D420,508 S \* 2/2000 Kohlhase ..... D3/232  
D753,914 S \* 4/2016 Van Migem ..... D3/232  
D781,051 S \* 3/2017 Leopardi ..... D3/232  
D834,811 S \* 12/2018 Nair ..... D3/232  
D840,149 S \* 2/2019 Lemaire ..... D3/240

\* cited by examiner

*Primary Examiner* — Holly H Baynham

(74) *Attorney, Agent, or Firm* — Fross Zelnick Lehrman  
& Zissu, P.C.; Charles T. J. Weigell, Esq.

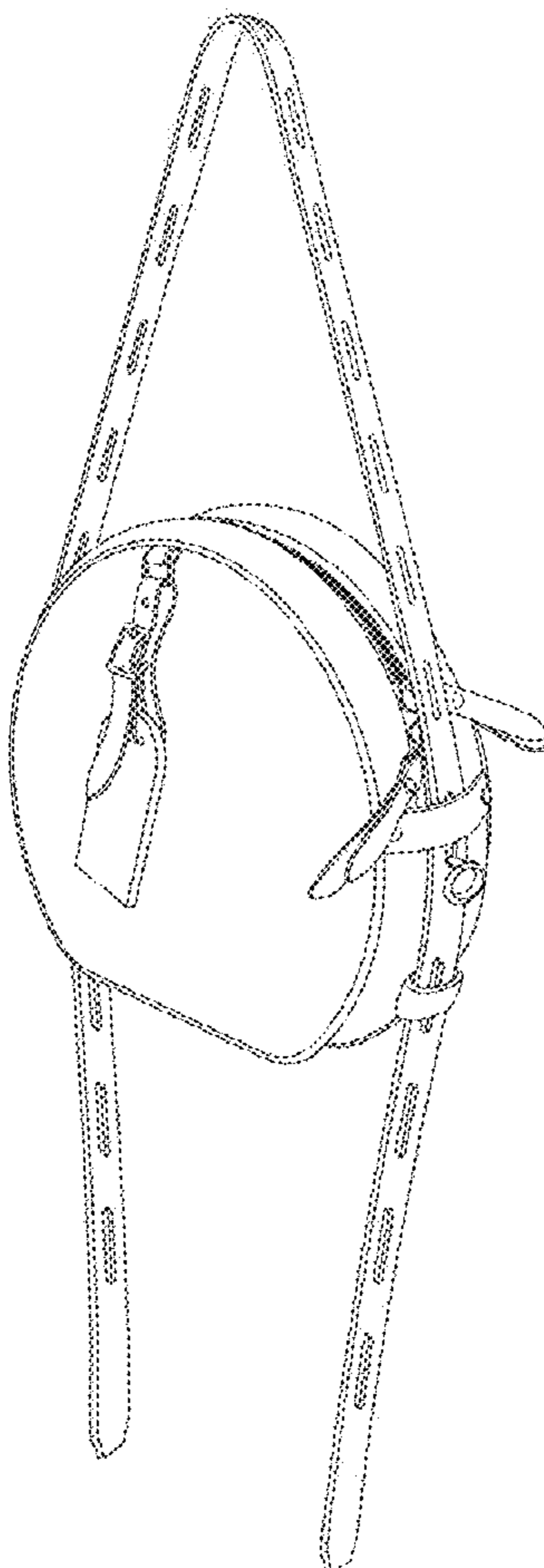
(57) **CLAIM**

The ornamental design for a handbag, as shown and described.

**DESCRIPTION**

FIG. 1 is a front perspective view of a handbag showing my new design;  
FIG. 2 is a front view thereof;  
FIG. 3 is a back view thereof;  
FIG. 4 is a left side view thereof;  
FIG. 5 is a right side view thereof;  
FIG. 6 is a top view thereof; and,  
FIG. 7 is a bottom view thereof.

**1 Claim, 7 Drawing Sheets**



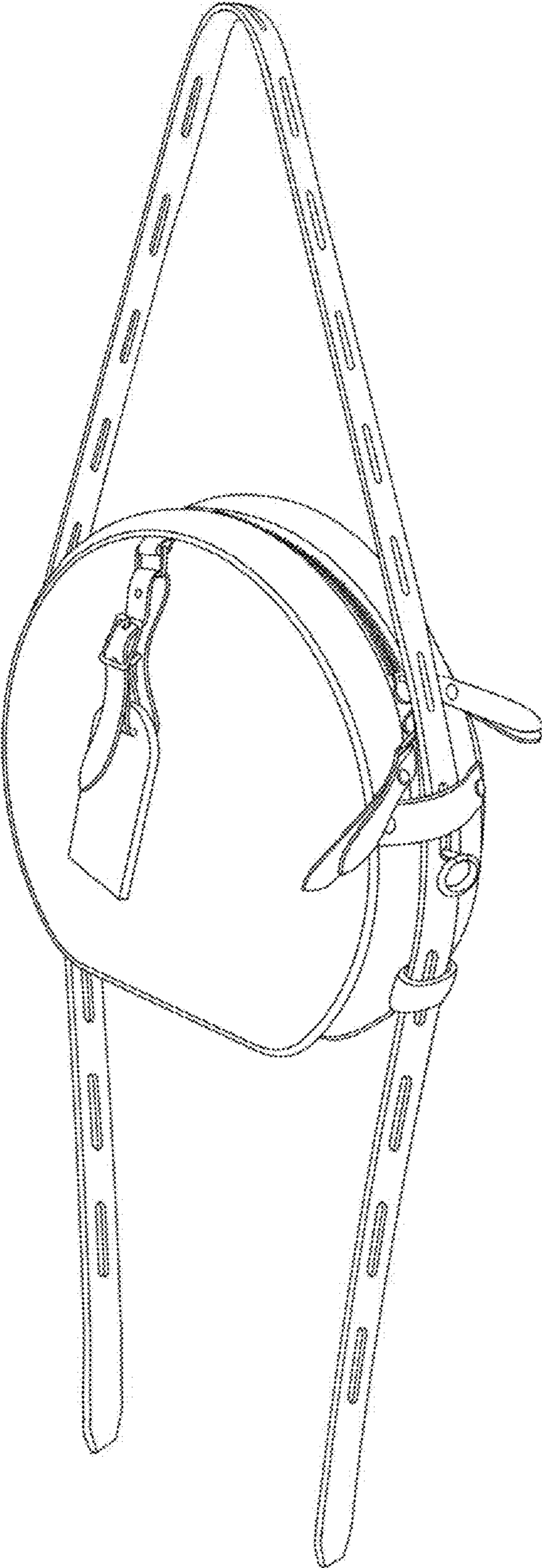


FIG. 1

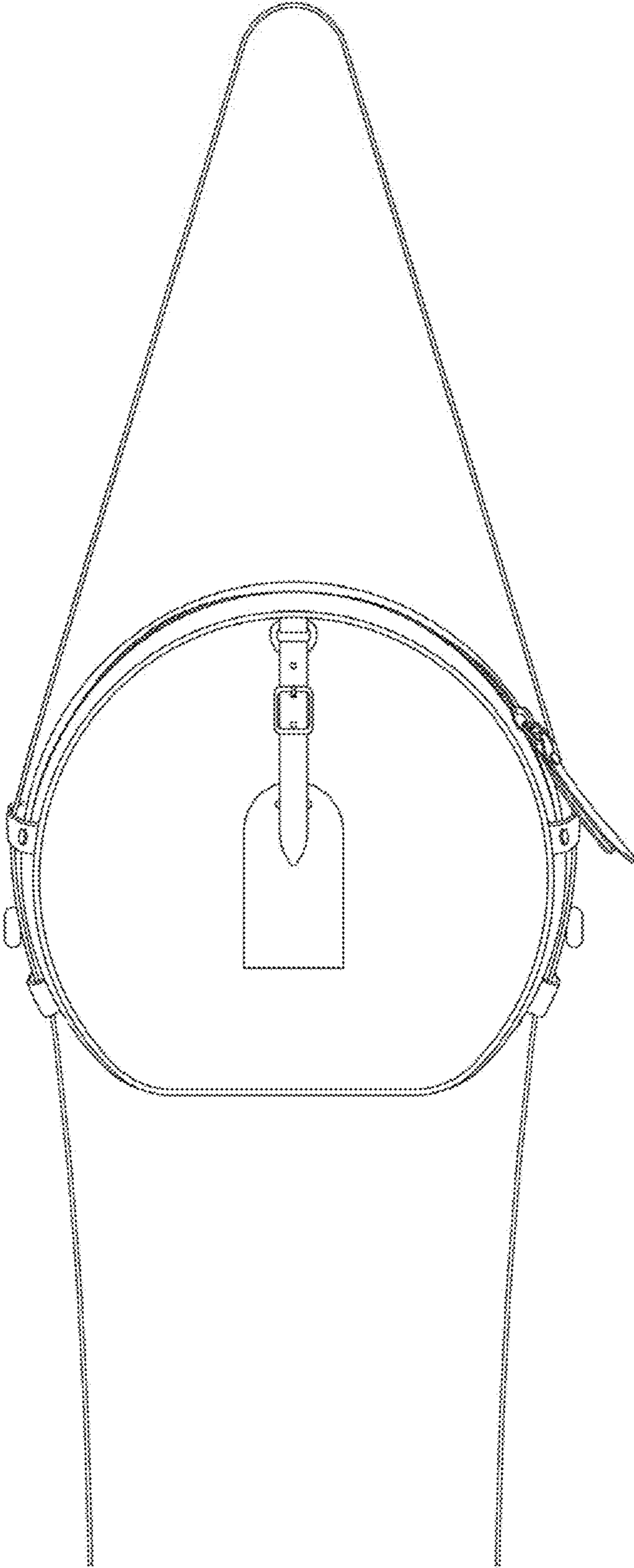


FIG. 2

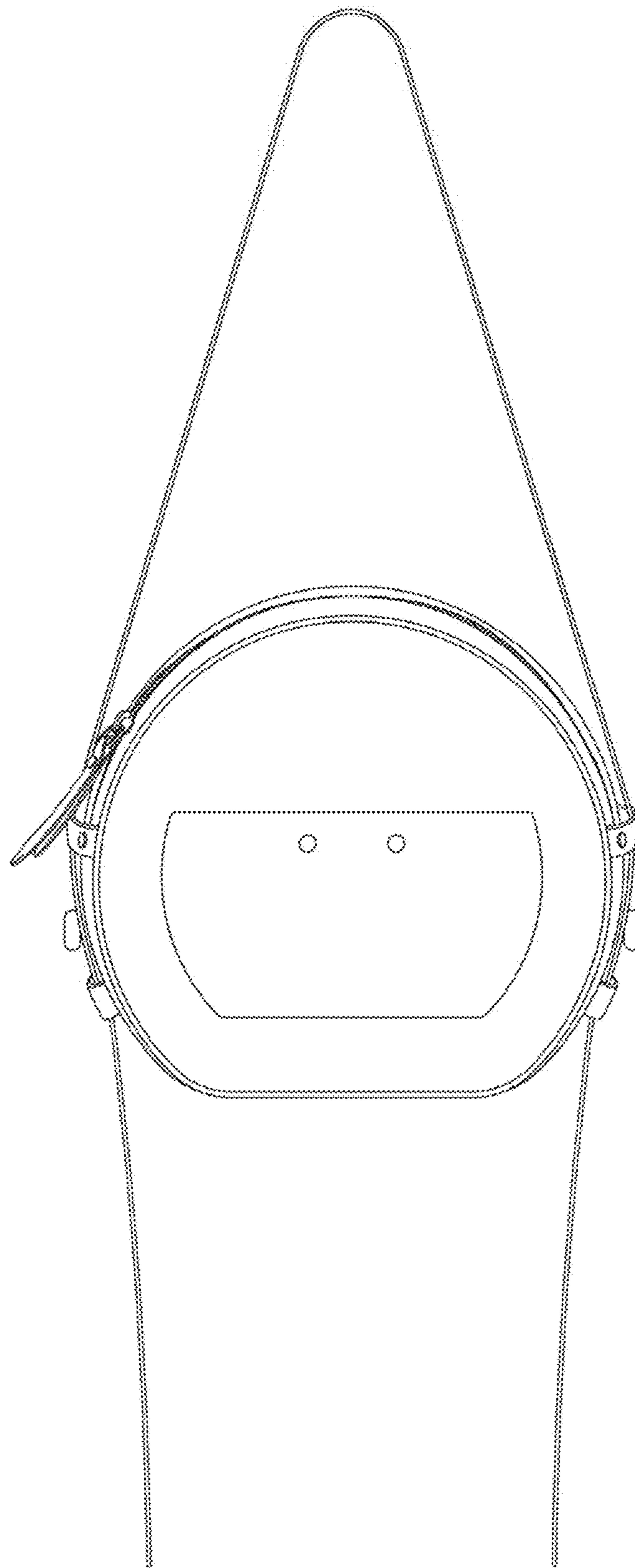


FIG. 3

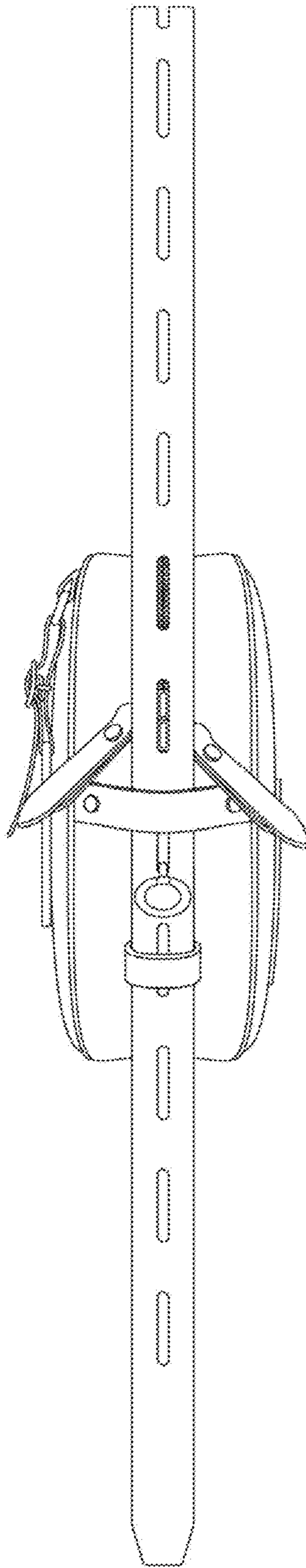


FIG. 4



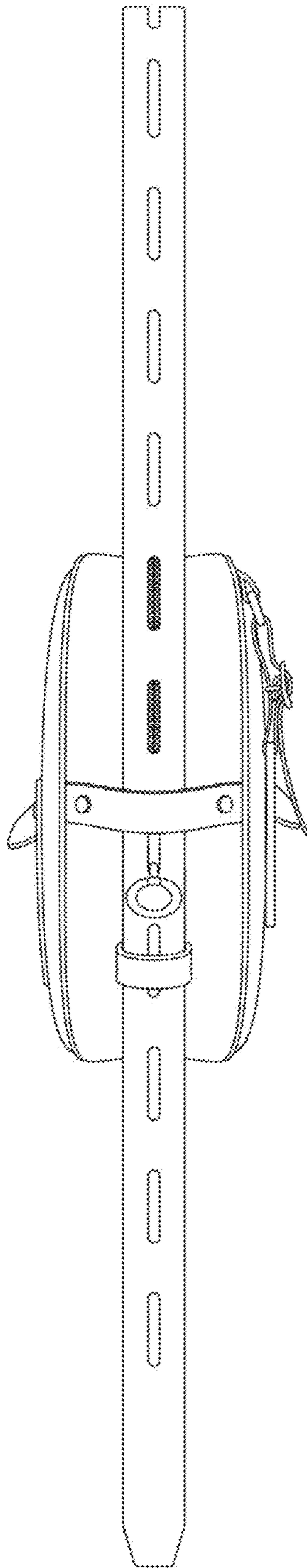


FIG. 5

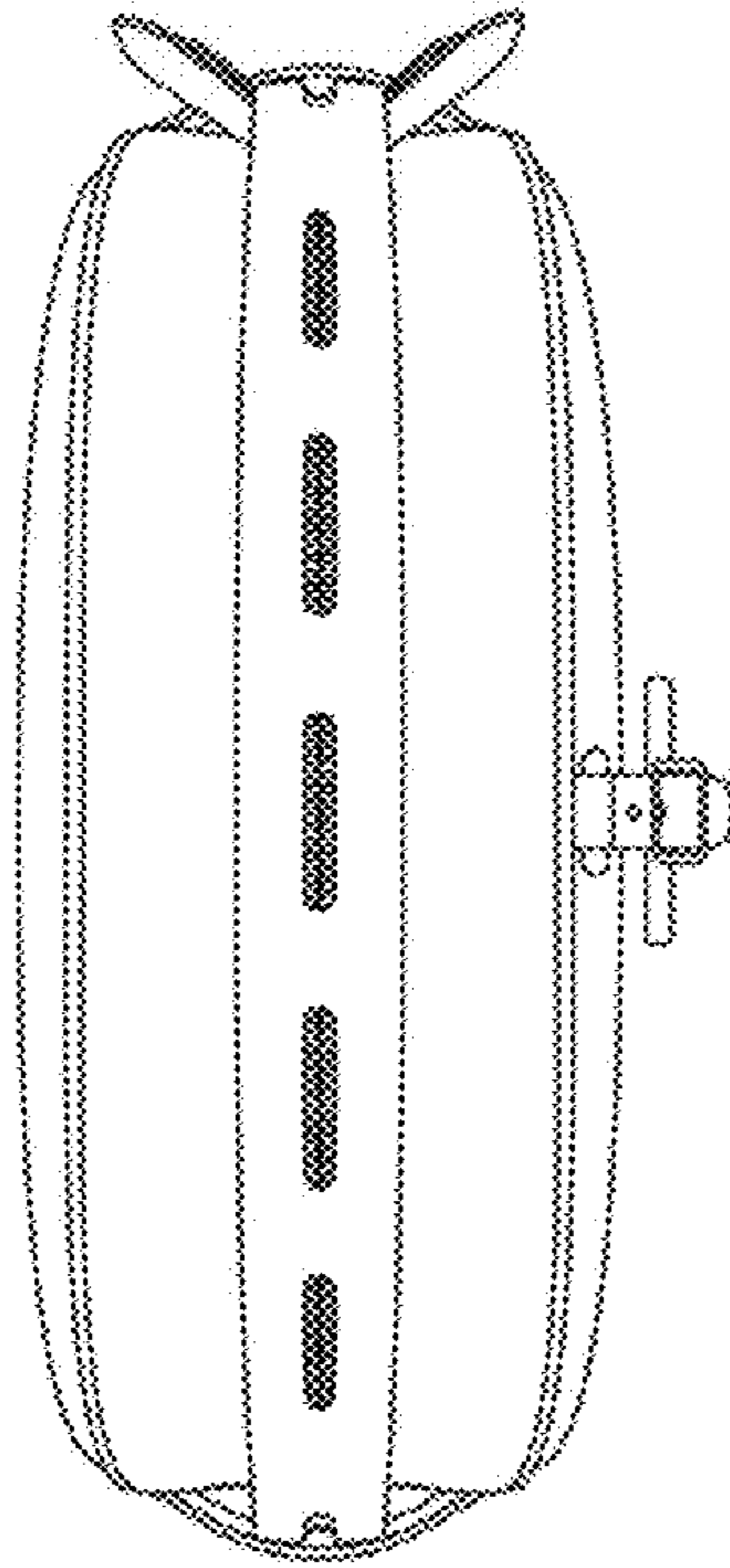


FIG. 6

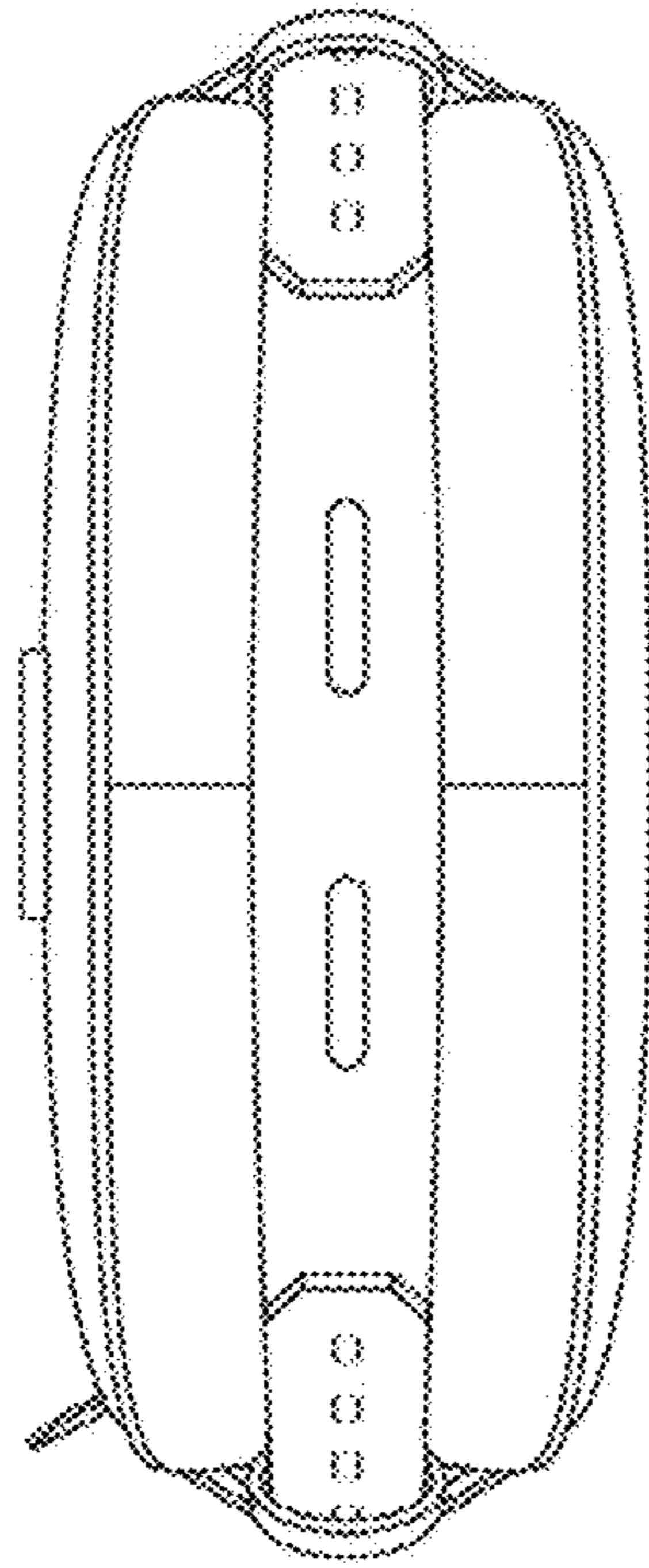


FIG. 7