



US00D893174S

(12) **United States Design Patent**
Wang

(10) **Patent No.:** **US D893,174 S**

(45) **Date of Patent:** **** Aug. 18, 2020**

(54) **SPORTS WAIST PACK**

(71) Applicant: **Qiang Wang**, Shenzhen (CN)

(72) Inventor: **Qiang Wang**, Shenzhen (CN)

(**) Term: **15 Years**

(21) Appl. No.: **29/682,834**

(22) Filed: **Mar. 8, 2019**

(51) **LOC (12) Cl.** **03-01**

(52) **U.S. Cl.**
USPC **D3/226; D3/221**

(58) **Field of Classification Search**
USPC D3/215, 221, 224, 226, 228; 224/197,
224/236, 240, 245, 251, 268–269, 662,
224/663, 665, 673, 680, 683, 666, 165,
224/255, 674, 677, 904, 901.2, 930
CPC A45F 5/00; A45F 5/02; A45F 5/06; A45F
5/021; A45F 3/14
See application file for complete search history.

(56) **References Cited**

U.S. PATENT DOCUMENTS

D384,808 S * 10/1997 Carretta D3/221
D458,021 S * 6/2002 Willows D3/226
D586,552 S * 2/2009 Shumate D3/221

D615,753 S * 5/2010 Pomerantz D3/221
D630,841 S * 1/2011 Pomerantz D3/221
D695,008 S * 12/2013 Pomerantz D3/221
D835,402 S * 12/2018 Pomerantz D3/226

* cited by examiner

Primary Examiner — Catherine R Oliver-Garcia

(74) *Attorney, Agent, or Firm* — ScienBiziP, P.C.

(57) **CLAIM**

The ornamental design for a sports waist pack, as shown and described.

DESCRIPTION

FIG. 1 is a front and side perspective view of a sports waist pack showing my design.

FIG. 2 is a rear and side perspective view thereof.

FIG. 3 is a front elevation view thereof.

FIG. 4 is a rear elevation view thereof.

FIG. 5 is a left side elevation view thereof.

FIG. 6 is a right side elevation view thereof.

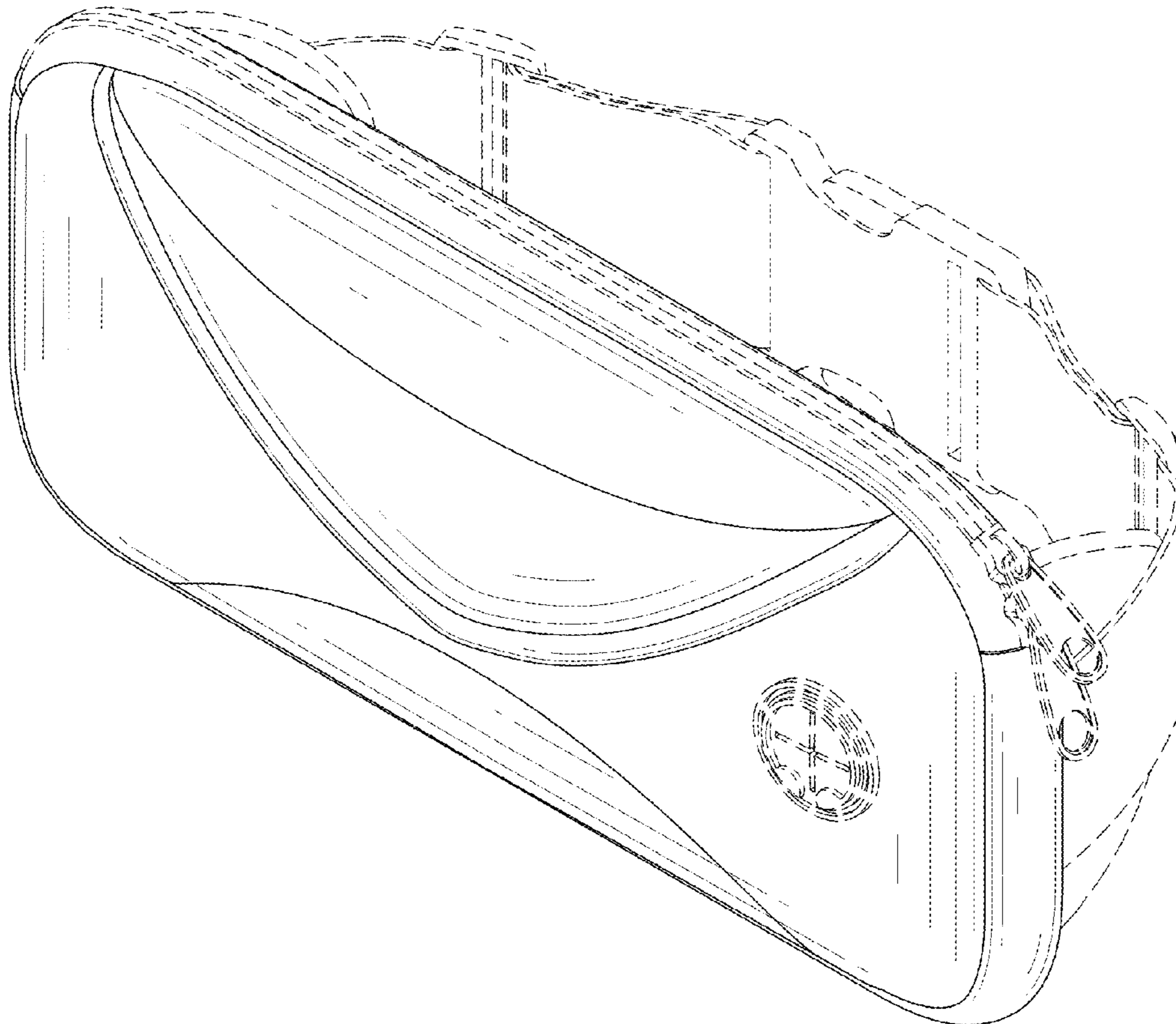
FIG. 7 is a top plan view thereof.

FIG. 8 is a bottom plan view thereof; and,

FIG. 9 is an enlarged view of a circle labeled 9 in FIG. 7 of the sports waist pack.

The broken lines are for environmental structure, boundaries, or illustrative purposes only and form no part of the claimed designs to be patented.

1 Claim, 9 Drawing Sheets



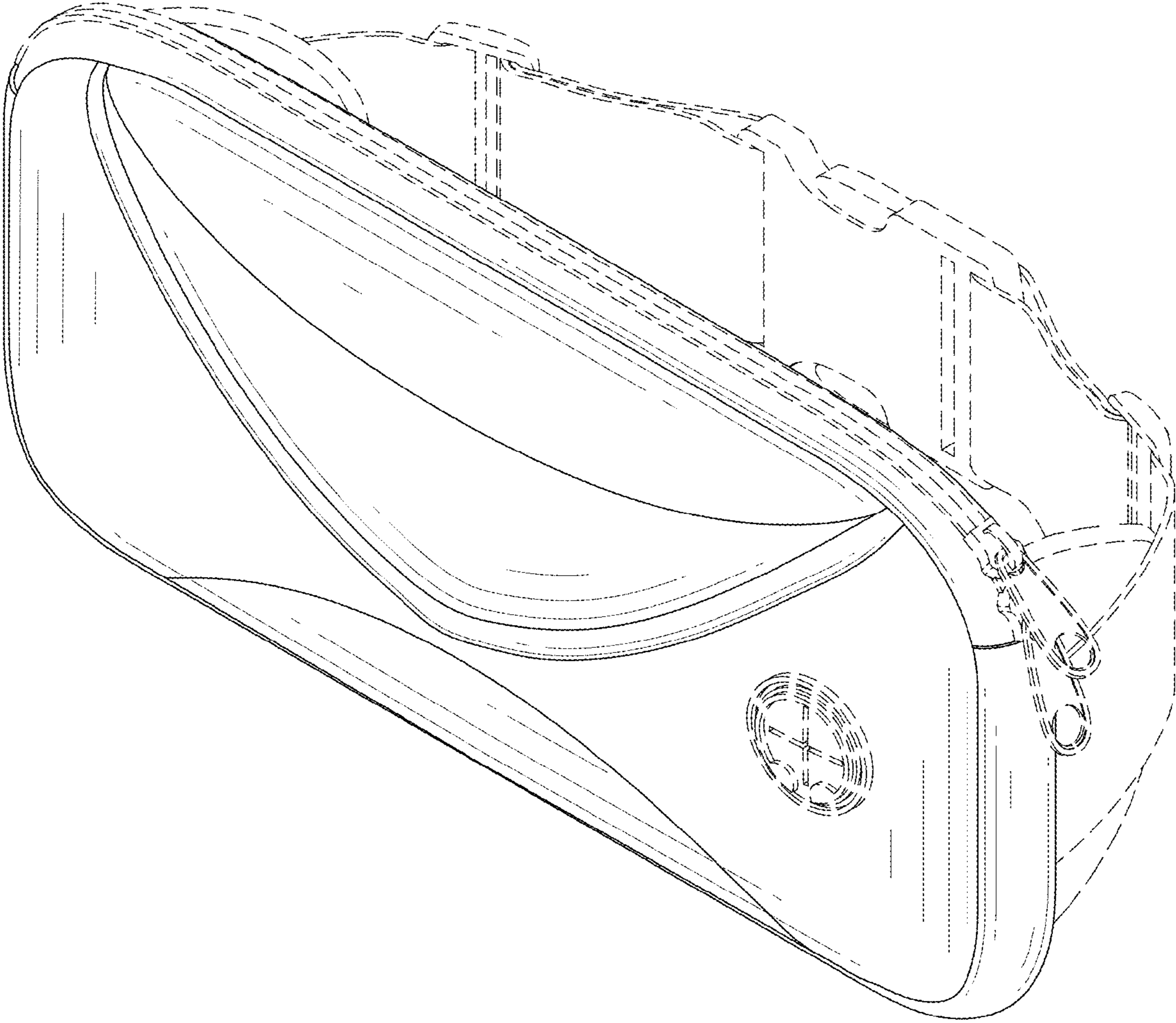


FIG. 1

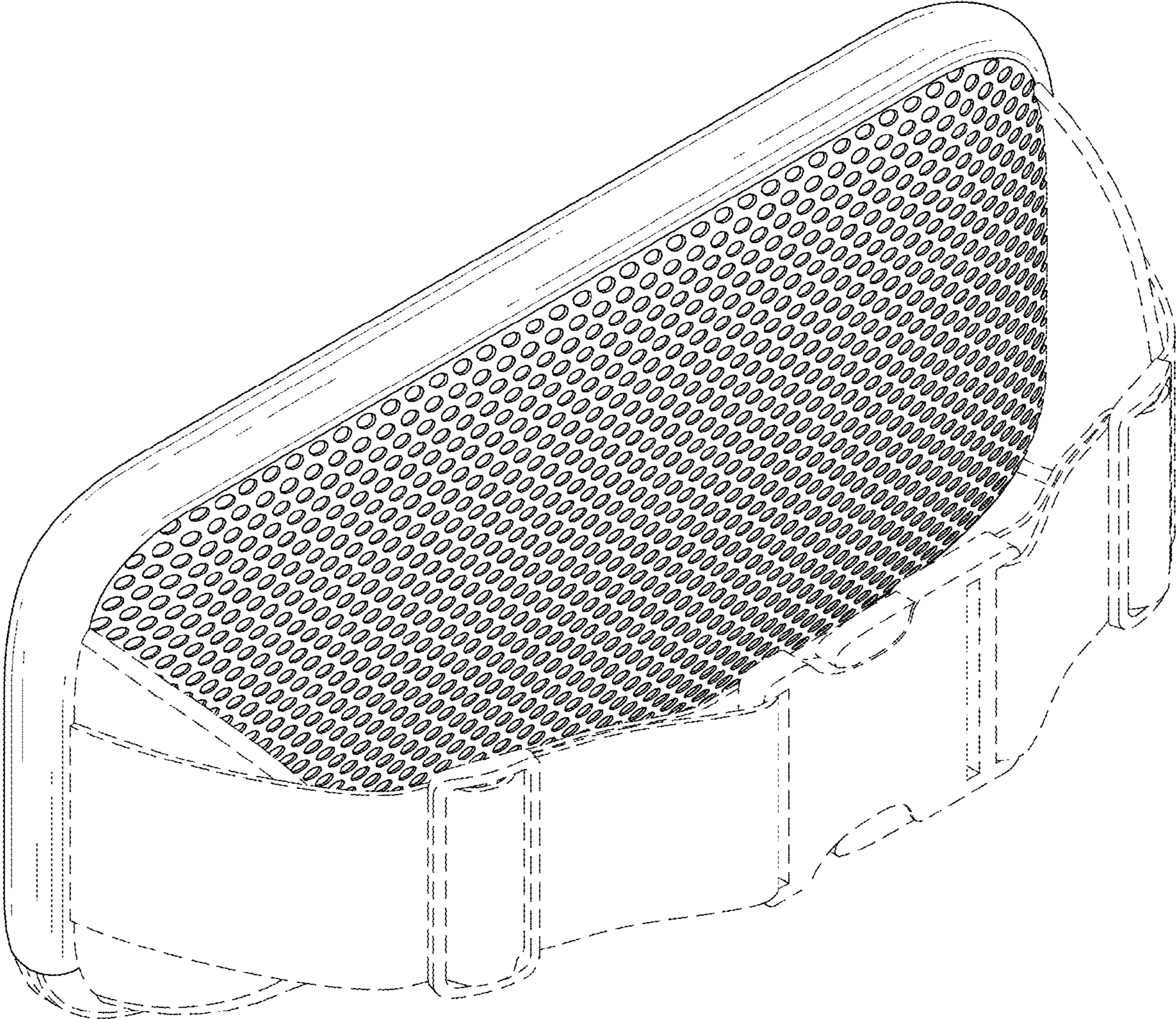


FIG. 2

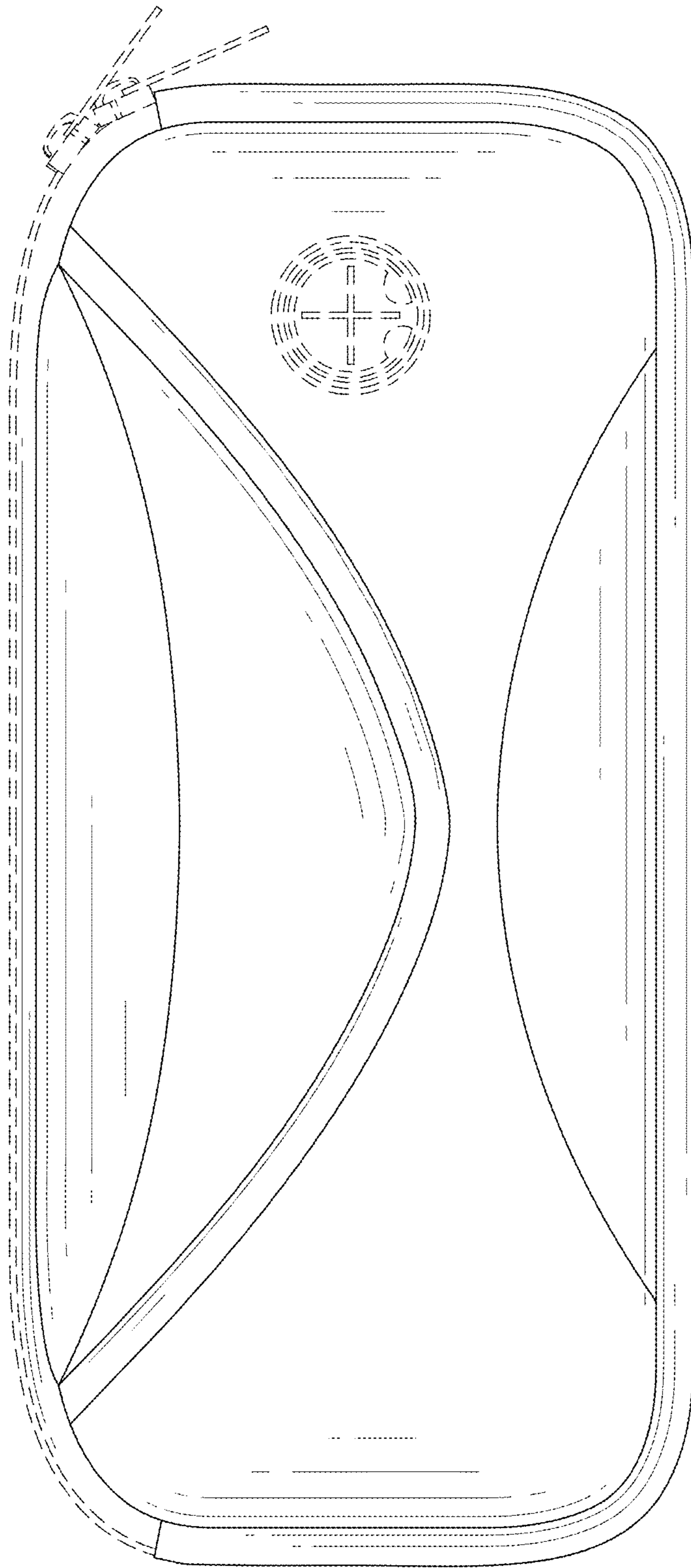


FIG. 3

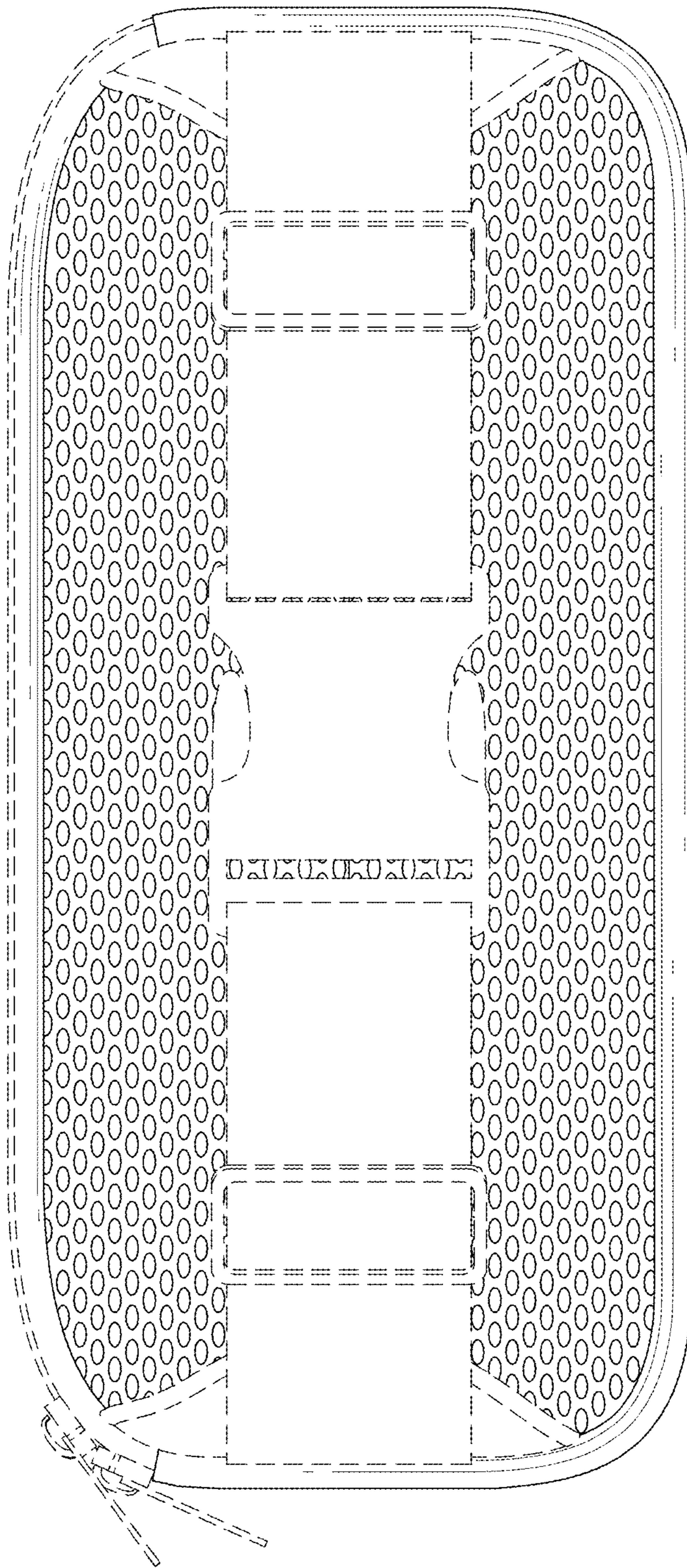


FIG. 4

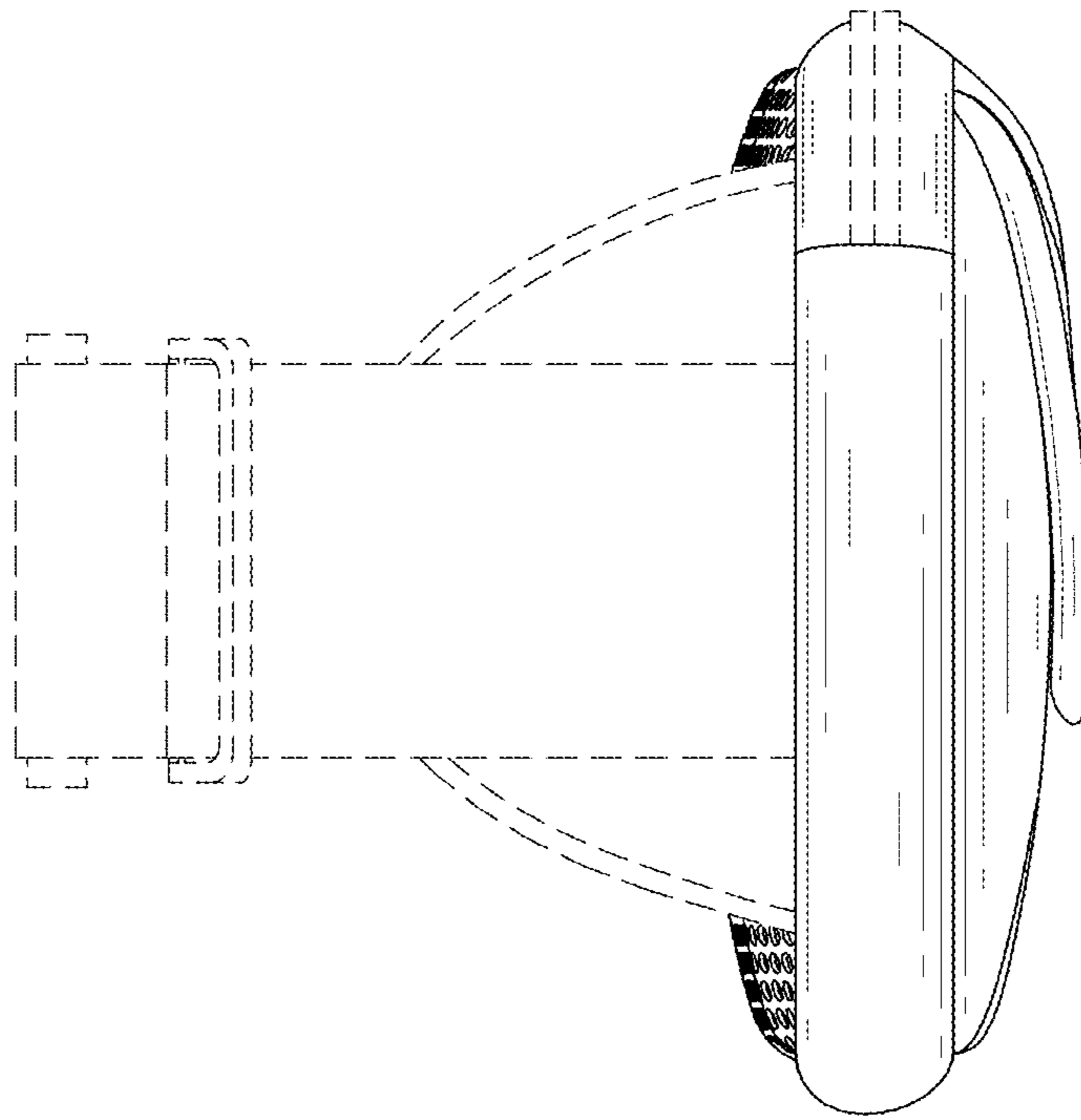


FIG. 5

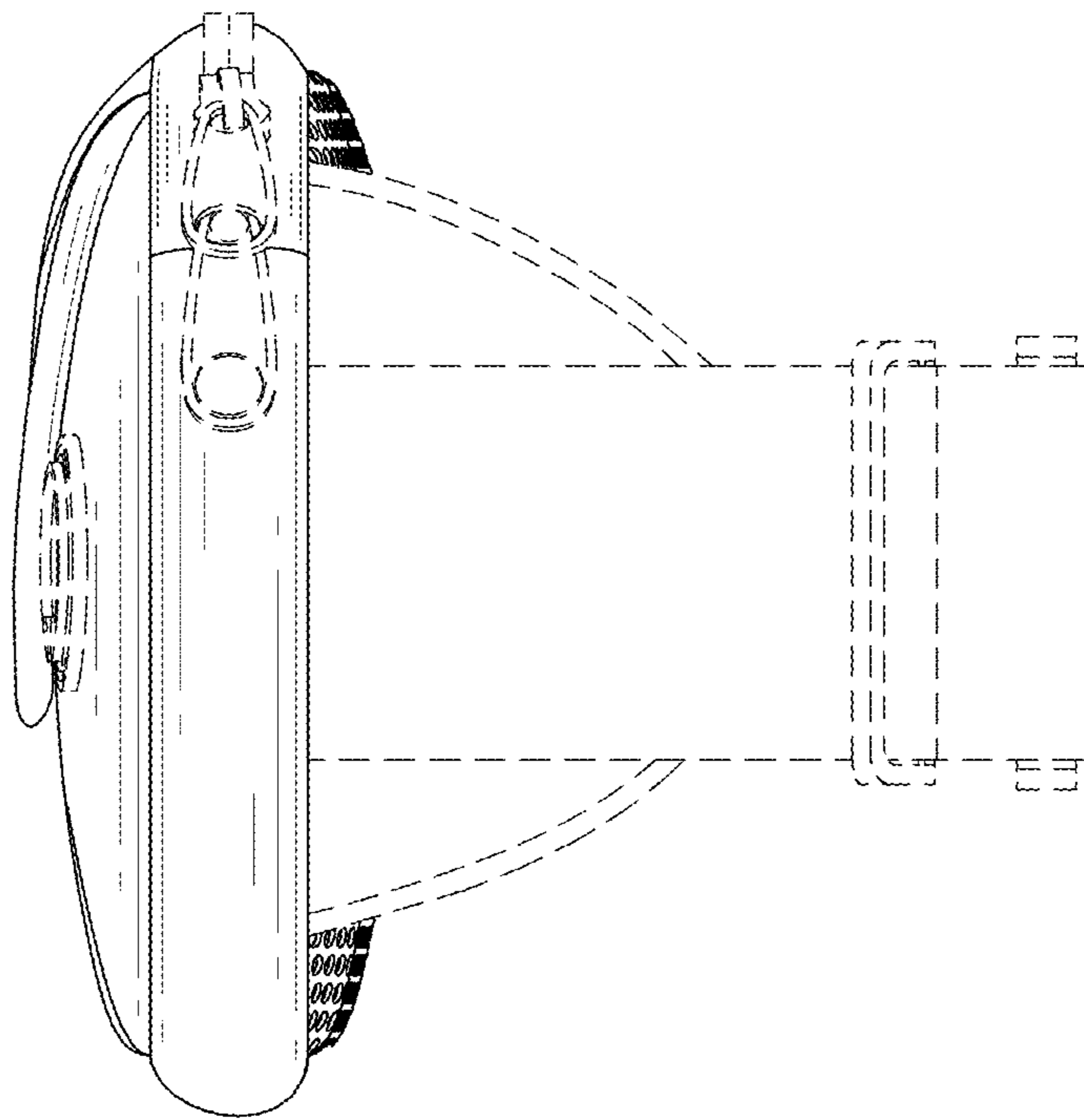


FIG. 6

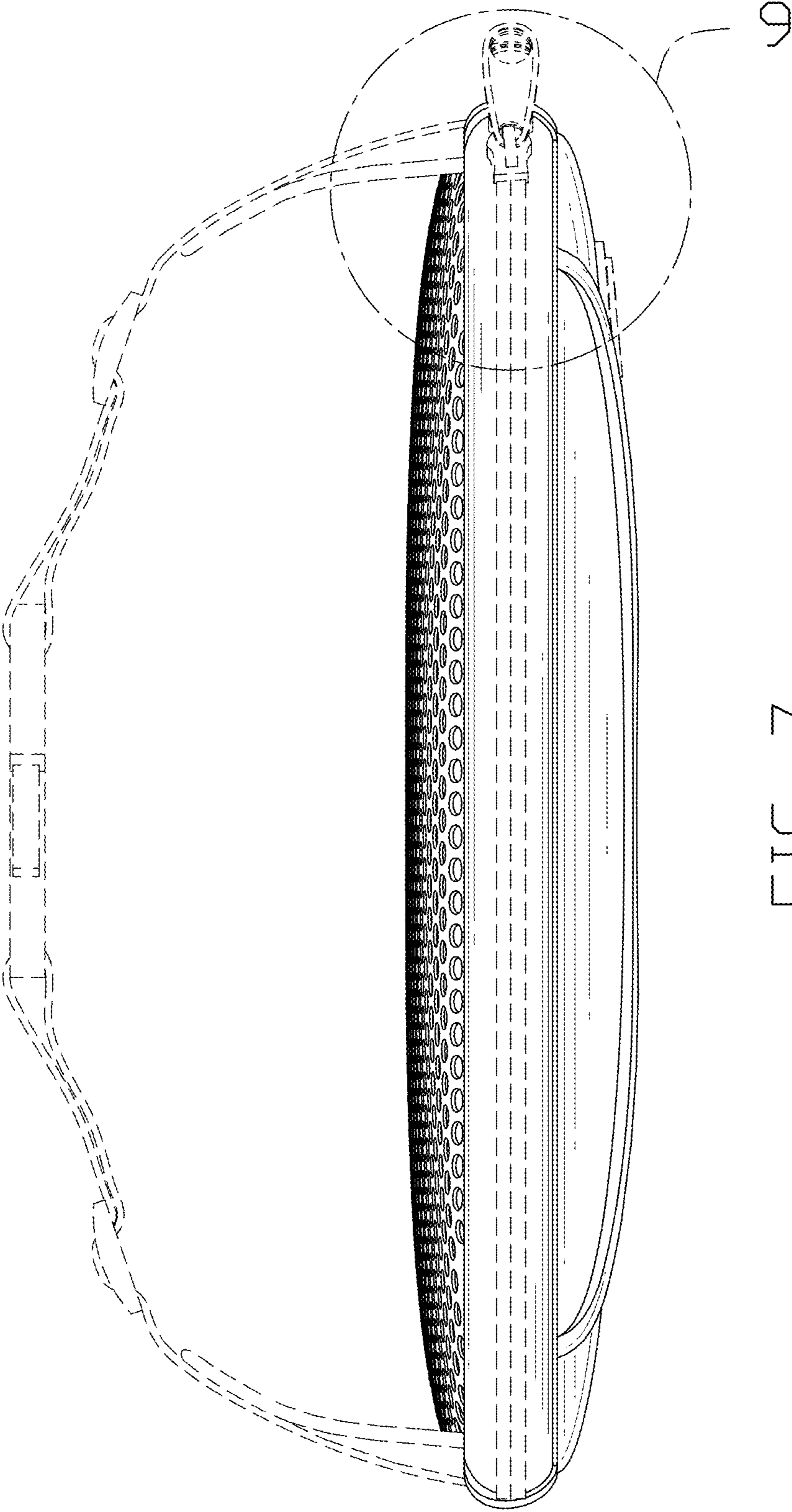


FIG. 7

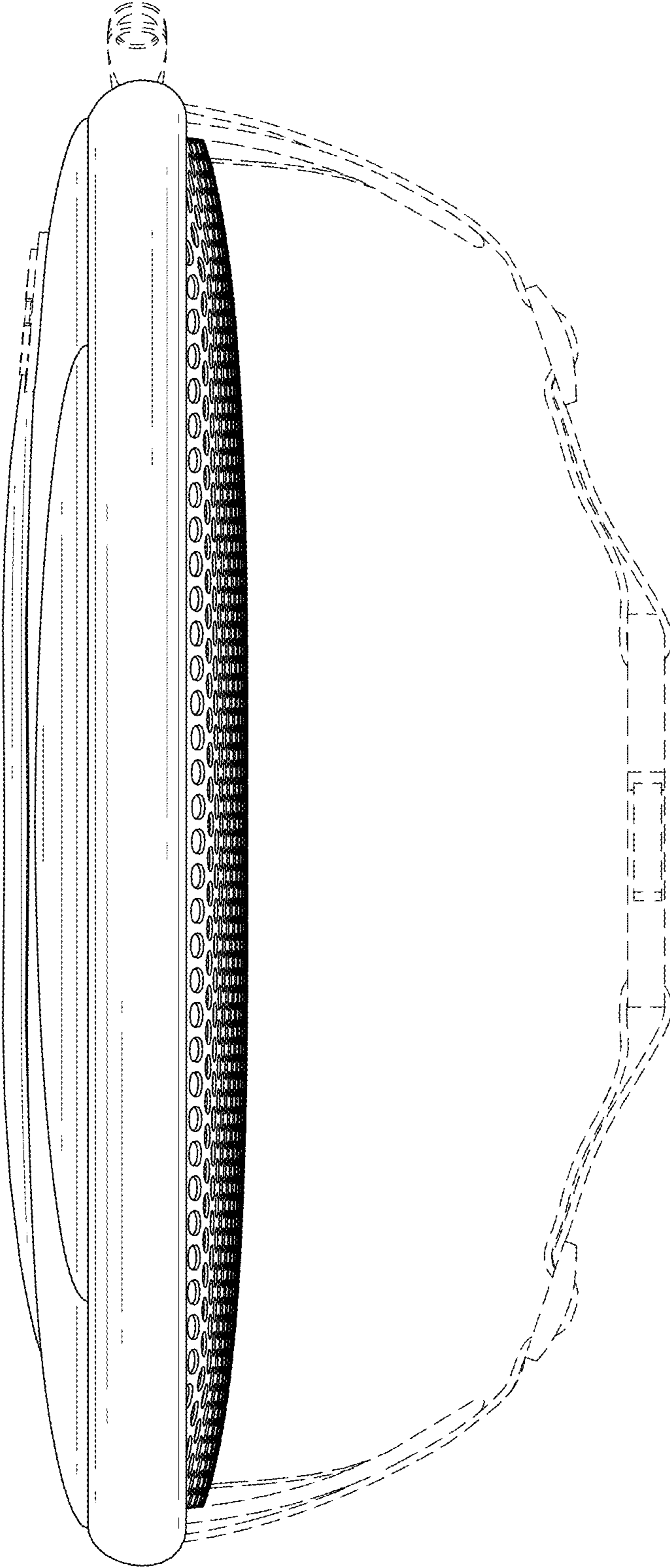


FIG. 8

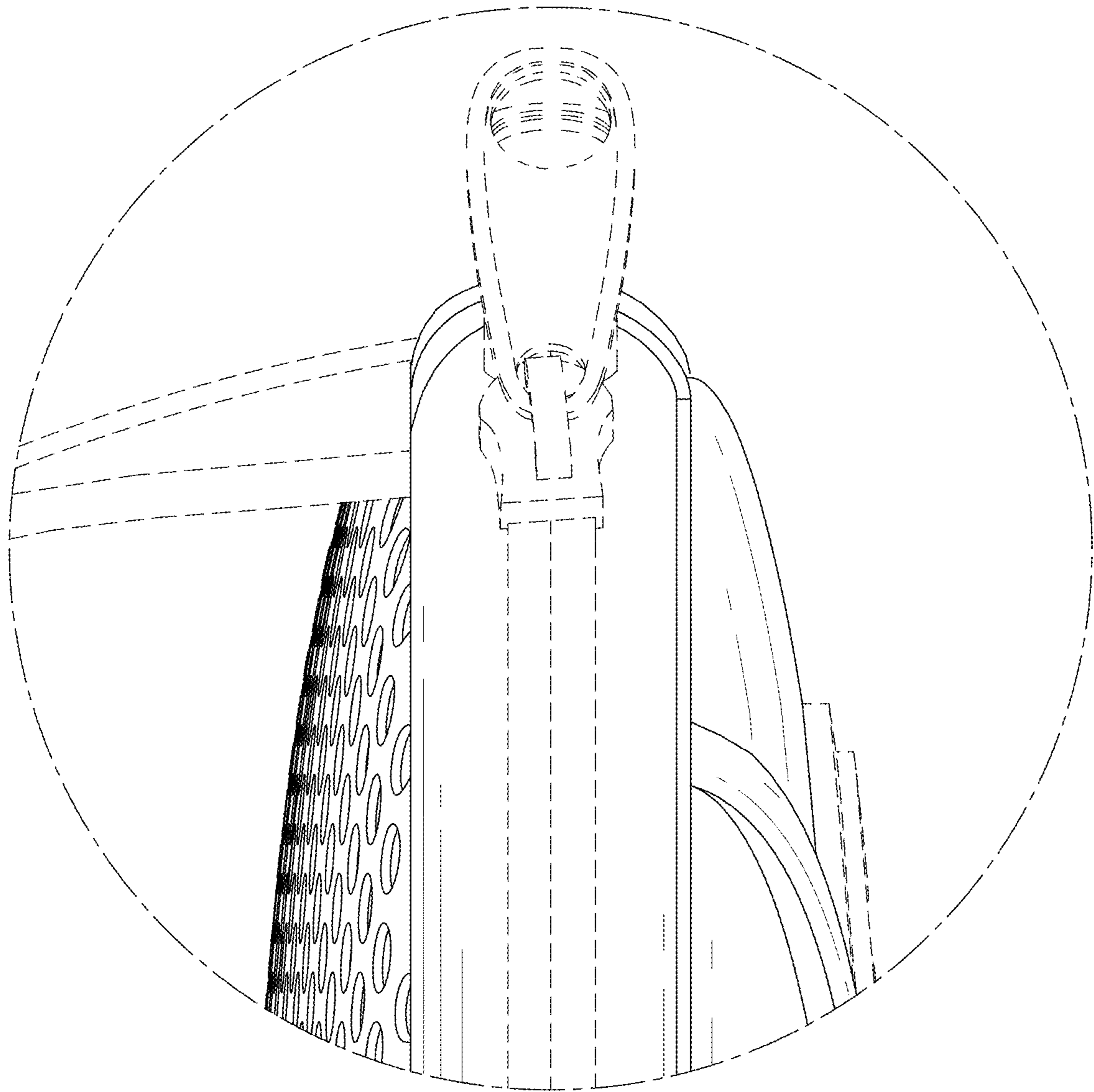


FIG. 9