



US00D893171S

(12) **United States Design Patent** (10) **Patent No.:** **US D893,171 S**  
**Reeves** (45) **Date of Patent:** **\*\* Aug. 18, 2020**

(54) **CHAINSAW SCABBARD**  
(71) Applicant: **Safe Tree Products LLC**, Rehoboth, MA (US)  
(72) Inventor: **Albert W. Reeves**, Rehoboth, MA (US)  
(73) Assignee: **Safe Tree Products LLC**, Rehoboth, MA (US)  
(\*\*) Term: **15 Years**  
(21) Appl. No.: **29/681,191**  
(22) Filed: **Feb. 22, 2019**  
(51) **LOC (12) Cl.** ..... **03-01**  
(52) **U.S. Cl.**  
USPC ..... **D3/220**  
(58) **Field of Classification Search**  
USPC ..... D3/220, 269, 273, 905; D6/573; D8/71, D8/65, 93, 95, 98, 99; D7/638-639; 224/232, 576; 30/143, 151, 295, 349, 30/504, 514, 521, 564; 206/317, 349, 206/521, 564, 576  
CPC .... A45F 5/14; A45F 5/021; A45F 2200/0591; B26B 29/025; Y10S 224/904  
See application file for complete search history.

(56) **References Cited**  
U.S. PATENT DOCUMENTS  
956,835 A 5/1910 Taulman  
2,524,110 A 10/1950 Karl  
2,524,875 A 10/1950 Mene  
2,792,163 A 5/1957 Kidwell  
3,806,010 A 4/1974 Utigard  
3,814,364 A 6/1974 Gargaro  
4,143,792 A 3/1979 Rex  
4,162,004 A 7/1979 Thomas  
4,247,070 A 1/1981 Dirksing  
4,371,079 A 2/1983 Dembicks  
4,621,426 A 11/1986 Shivers  
4,846,385 A 7/1989 Fratus  
4,993,583 A 2/1991 Chasen

5,119,937 A 6/1992 Reynolds, Jr.  
5,706,941 A 1/1998 Erisoty  
5,713,499 A 2/1998 Daniel  
5,797,571 A 8/1998 Brophy  
5,878,837 A 3/1999 Kistner  
(Continued)

**OTHER PUBLICATIONS**

Hud-Son Forestry Equipment.com—Chainsaw Holder with Hardware—Bar Scabbor, 17' L×5¼'×1¼' W—Metal Scabbor, date unknown . . . date of printing Jun. 13, 2019.  
(Continued)

*Primary Examiner* — Catherine R Oliver-Garcia  
(74) *Attorney, Agent, or Firm* — Jodi-Ann McLane; McInnes & McLane, LLP

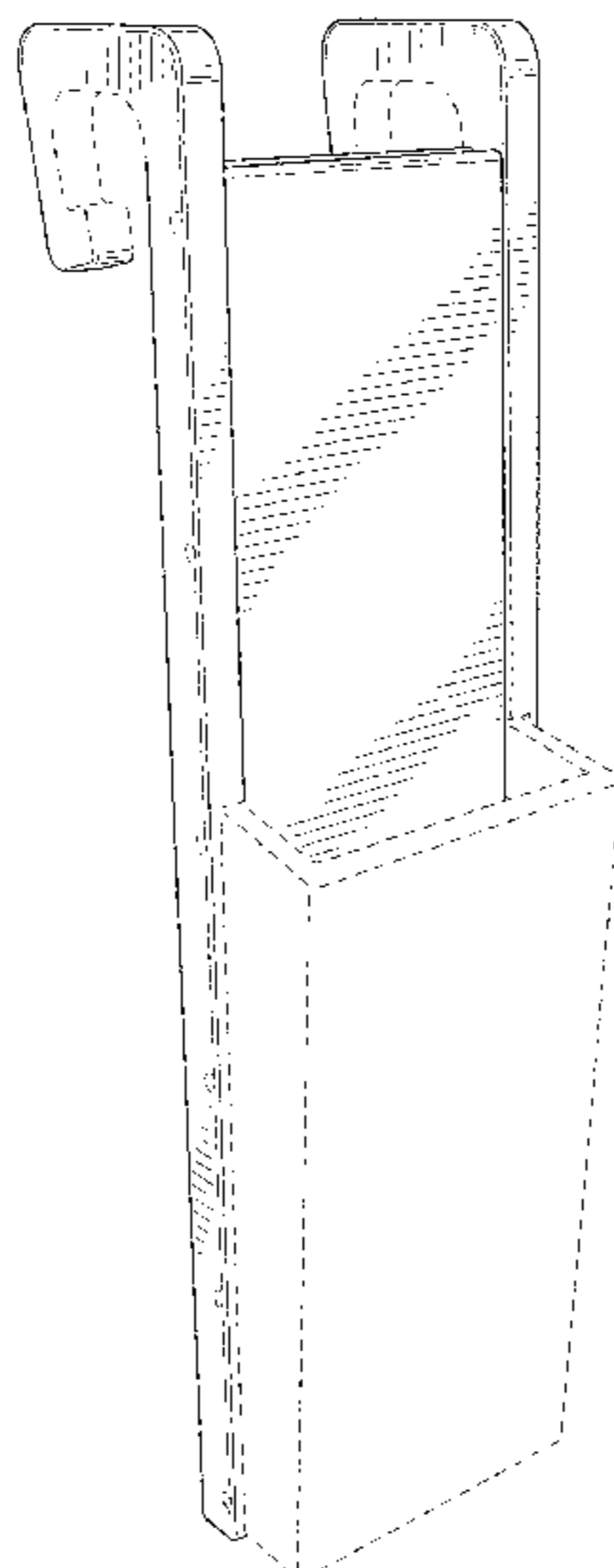
(57) **CLAIM**

The ornamental design for a chainsaw scabbard, as shown and described.

**DESCRIPTION**

FIG. 1 is a front, right side perspective view of a chainsaw scabbard showing my new design;  
FIG. 2 is a rear, left side perspective view thereof;  
FIG. 3 is a front elevational view thereof;  
FIG. 4 is a rear elevational view thereof;  
FIG. 5 is a left side elevational view thereof;  
FIG. 6 is a right side elevational view thereof;  
FIG. 7 is a top plan view thereof;  
FIG. 8 is a bottom plan view thereof;  
FIG. 9 is a front, right side perspective environmental view; and,  
FIG. 10 is a rear, left side perspective environmental view thereof.  
The portions shown in broken lines are included for illustrative purposes only and form no part of the claimed design. The drawings include surface shading that represents contour and not surface ornamentation.

**1 Claim, 8 Drawing Sheets**



(56)

**References Cited**

U.S. PATENT DOCUMENTS

6,045,017	A	4/2000	Connell
6,651,829	B1	11/2003	Prochaska
D695,476	S	12/2013	Holloway
D713,141	S	9/2014	Reeves
D737,573	S	9/2015	Yanuszka et al.
9,249,003	B2	2/2016	Reeves
2005/0056754	A1	3/2005	Salani
2005/0067311	A1	3/2005	Ferrante
2007/0170220	A1	7/2007	Fragassi
2008/0164400	A1	7/2008	Beechinor
2009/0147527	A1	6/2009	O'Connor
2014/0059870	A1	3/2014	Miyawaki
2018/0333881	A1	11/2018	Nelson et al.

OTHER PUBLICATIONS

Notice of Allowance in U.S. Appl. No. 29/627,057 dated Jun. 26, 2019.

Shelter Tree Care Products.com—Safetree Chipper Scabbard—  
Date Unknown . . . date of printing Jun. 13, 2019.

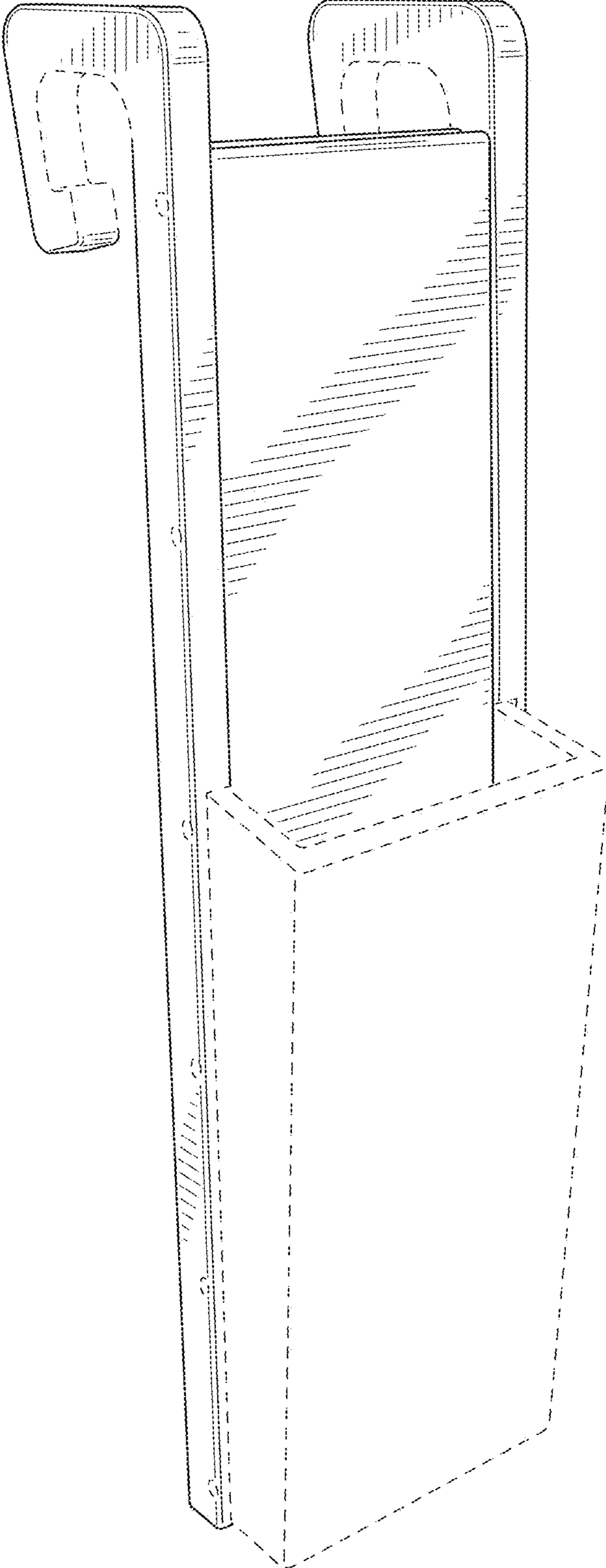


FIG. 1

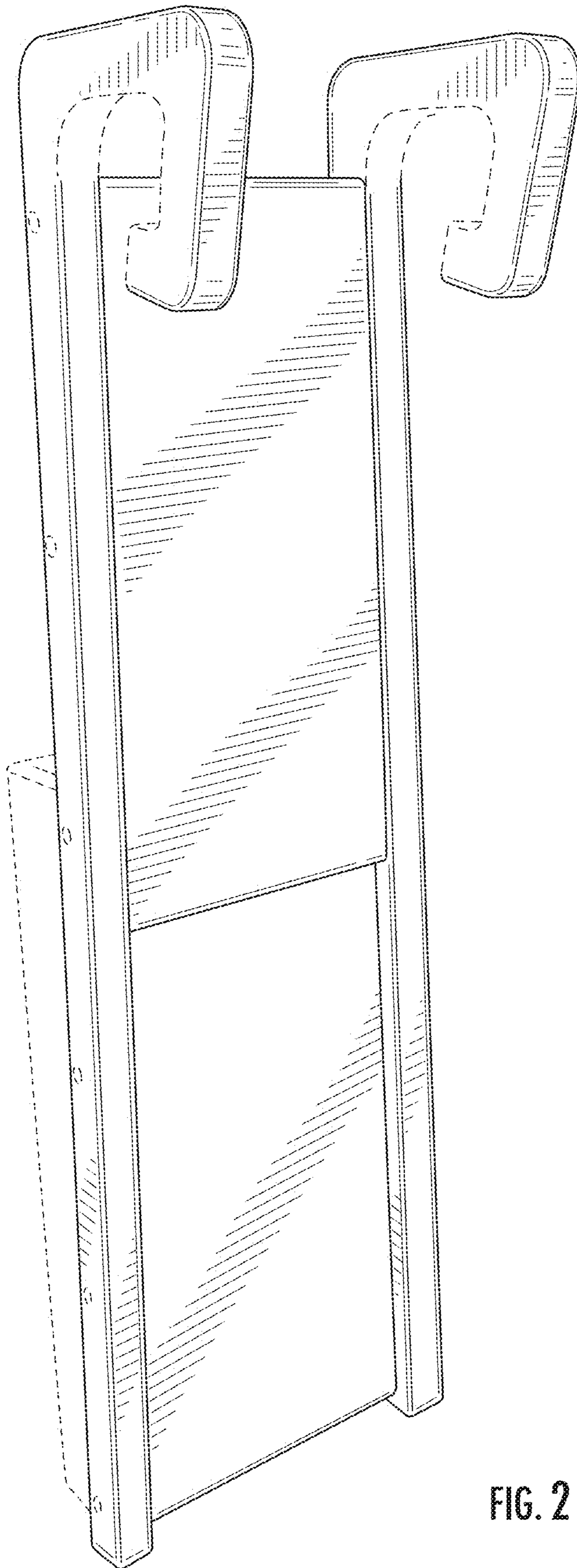


FIG. 2

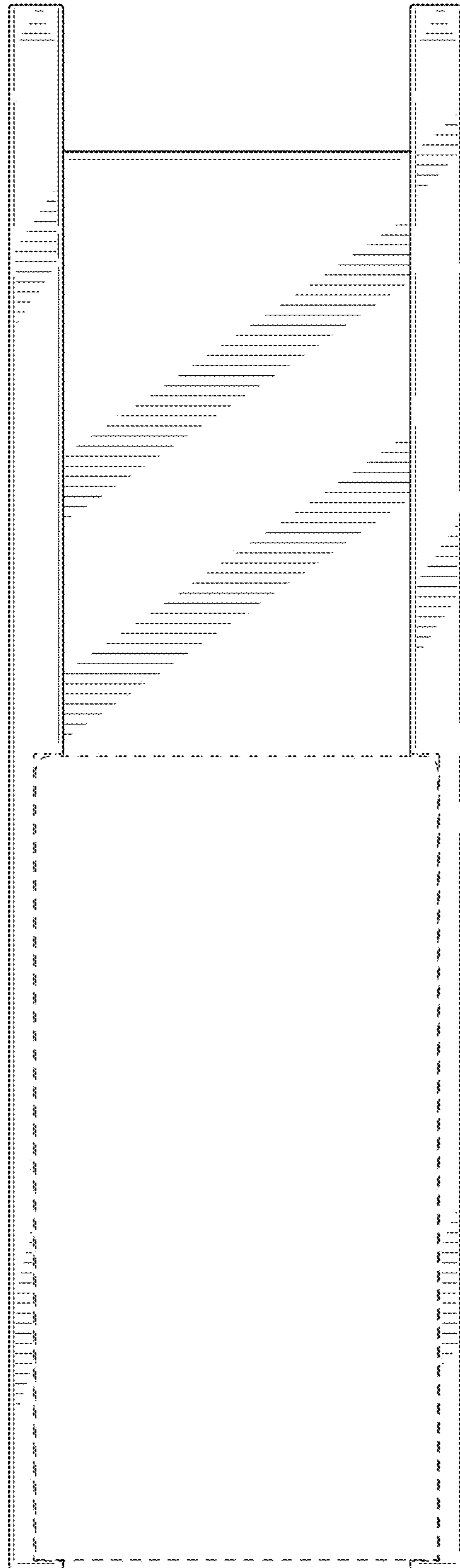


FIG. 3



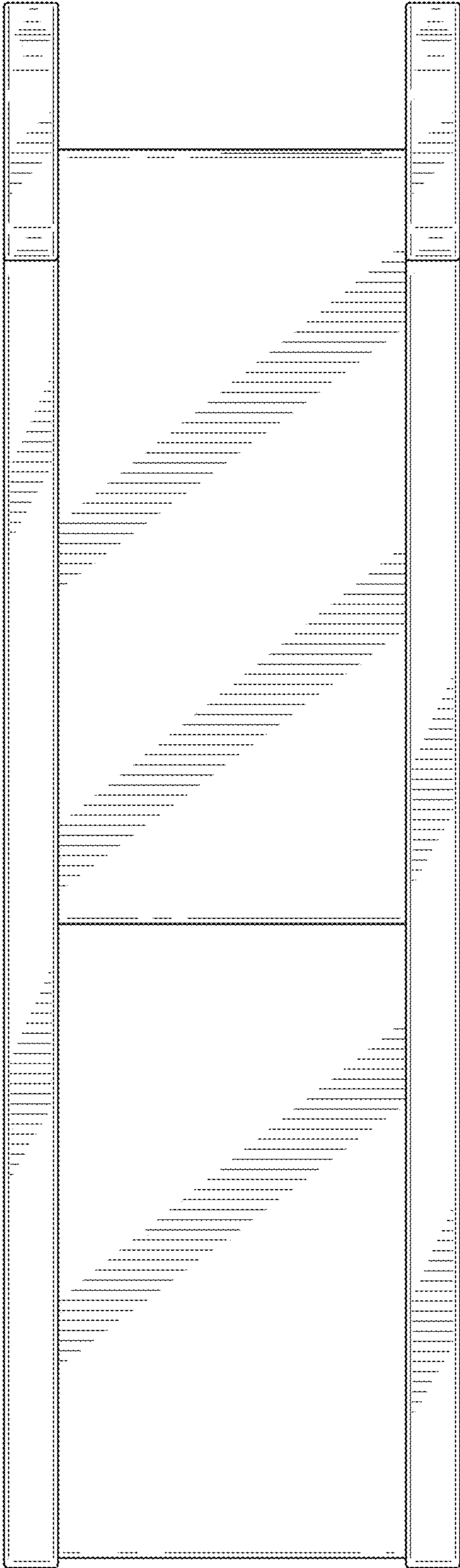


FIG. 4

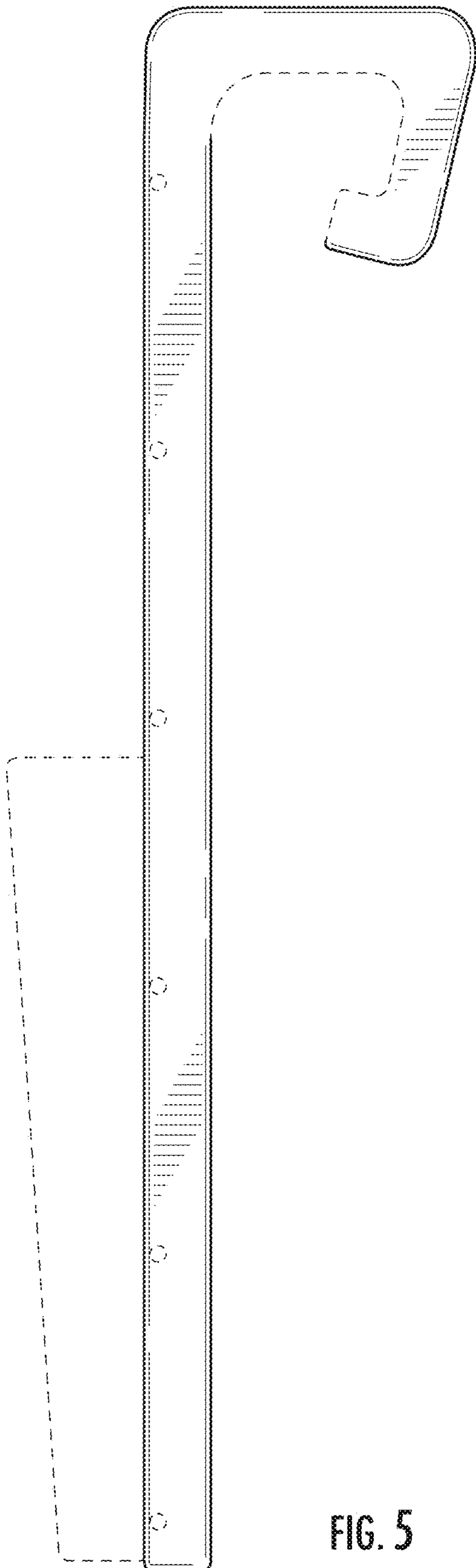


FIG. 5

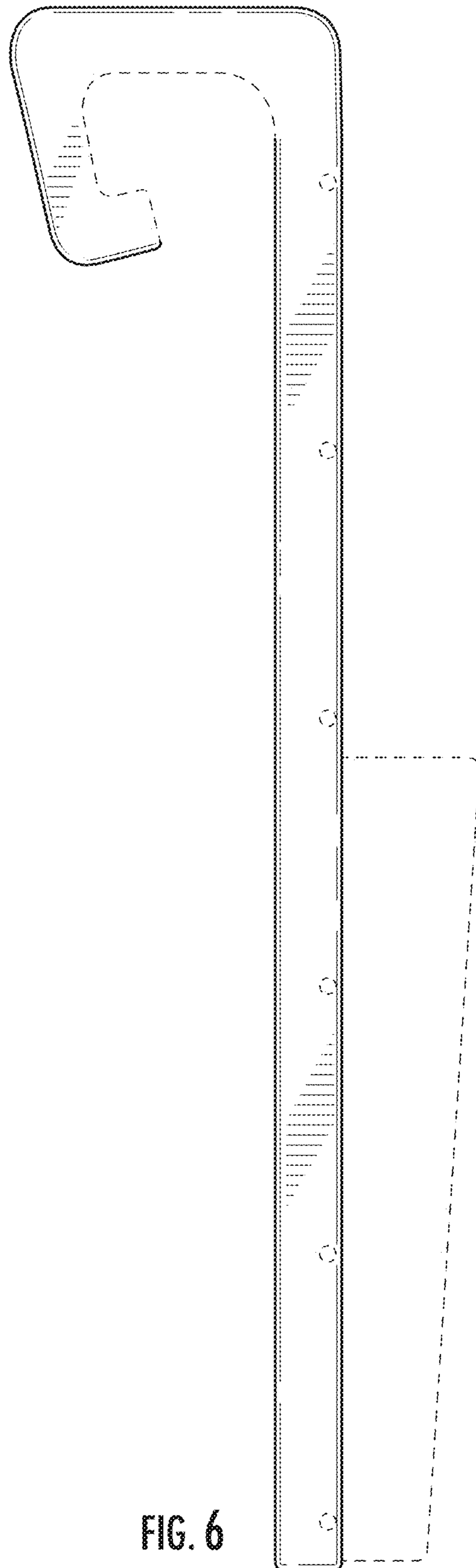


FIG. 6

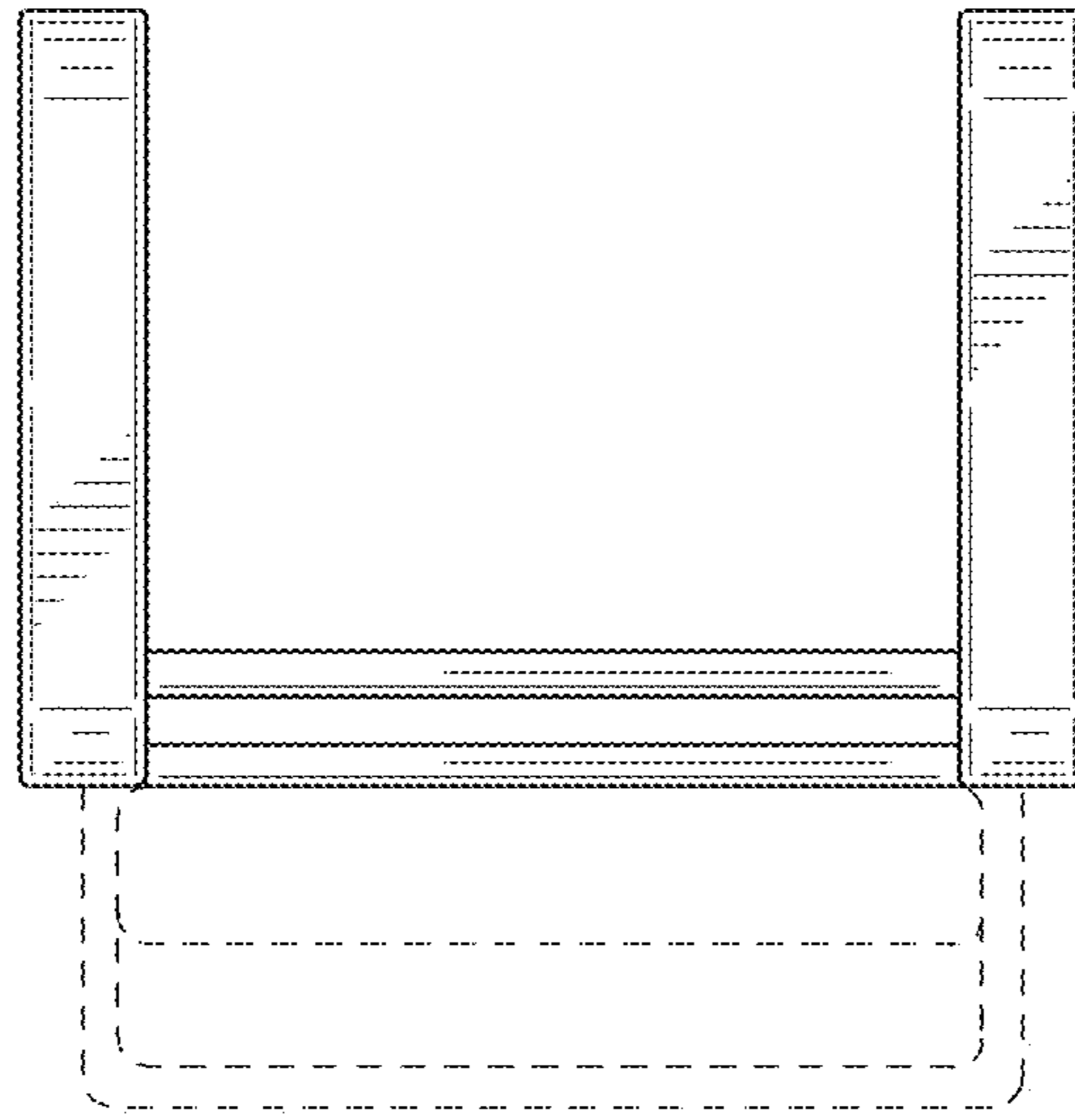


FIG. 7

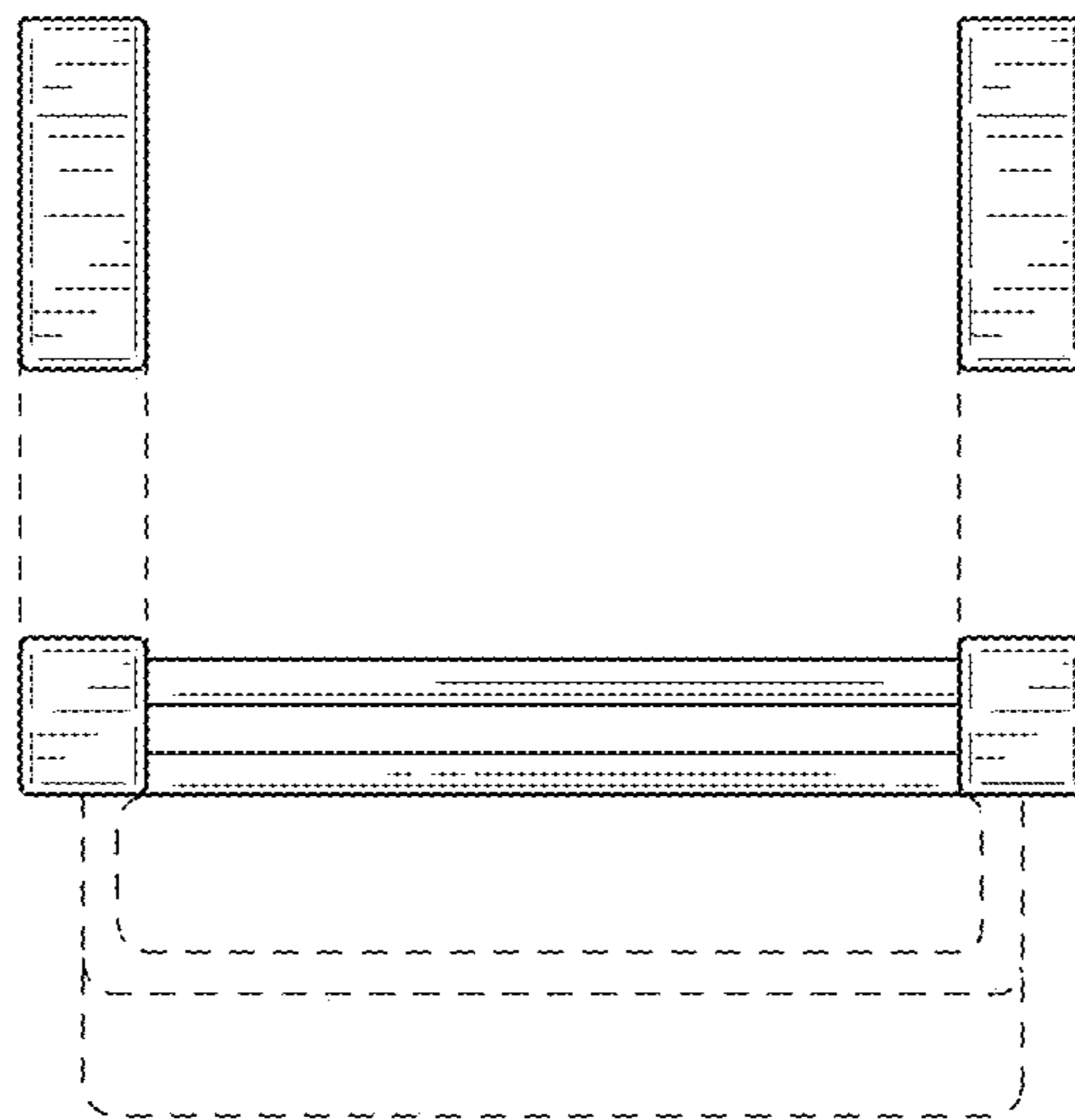


FIG. 8



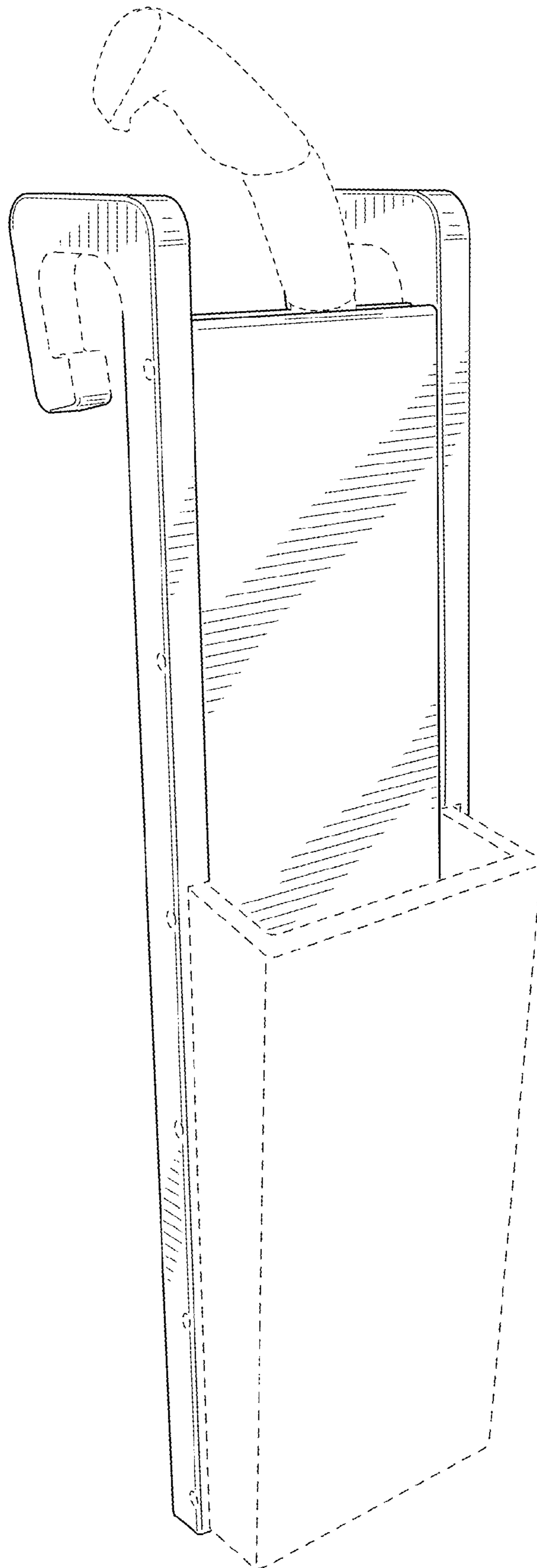


FIG. 9

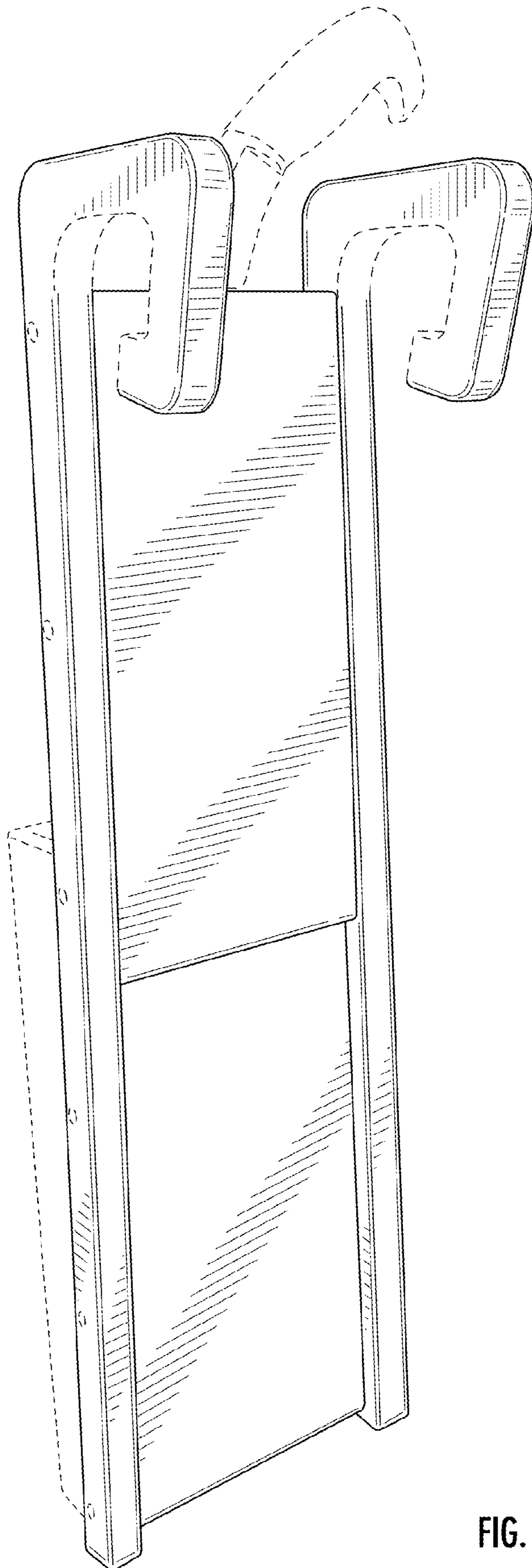


FIG. 10