



US00D893168S

(12) **United States Design Patent** (10) **Patent No.:** **US D893,168 S**
Smith (45) **Date of Patent:** **** Aug. 18, 2020**

(54) **BACKPACK**
(71) Applicant: **Callaway Golf Company**, Carlsbad, CA (US)
(72) Inventor: **Luke Smith**, Encinitas, CA (US)
(73) Assignee: **Ogio International, Inc.**, Carlsbad, CA (US)
(**) Term: **15 Years**

D674,183 S *	1/2013	Iacchetti	D3/216
D674,591 S *	1/2013	Hargens	D3/217
D698,542 S *	2/2014	January	D3/216
D702,434 S *	4/2014	Chalk	D3/216
D710,085 S *	8/2014	Szewczyk	D3/217
D710,086 S *	8/2014	Szewczyk	D3/217
D714,541 S *	10/2014	Anderson	D3/217
D742,631 S *	11/2015	Kim	D3/217
D745,777 S *	12/2015	Zwetzig	D3/217
D770,761 S *	11/2016	Deiomsa	D3/217
D775,816 S *	1/2017	Slimane	D3/217
D802,295 S *	11/2017	Wu	D3/217

* cited by examiner

(21) Appl. No.: **29/669,142**
(22) Filed: **Nov. 6, 2018**
(51) **LOC (12) Cl.** **03-01**
(52) **U.S. Cl.**
USPC **D3/217**
(58) **Field of Classification Search**
USPC D3/201, 213-219, 221, 224, 225, 229,
D3/230, 232, 243-246, 254, 318
CPC A45F 3/04; A45F 4/02; A45F 2200/0525;
A45F 2003/045; A45C 11/00; A45C
13/30; A45C 2011/002; A45C 2011/003;
A45C 2011/001; A45C 15/00
See application file for complete search history.

Primary Examiner — Jennifer L Watkins
(74) *Attorney, Agent, or Firm* — Rebecca Hanovice;
Michael Catania; Sonia Lari

(57) **CLAIM**

The ornamental design for a backpack, as shown and described.

DESCRIPTION

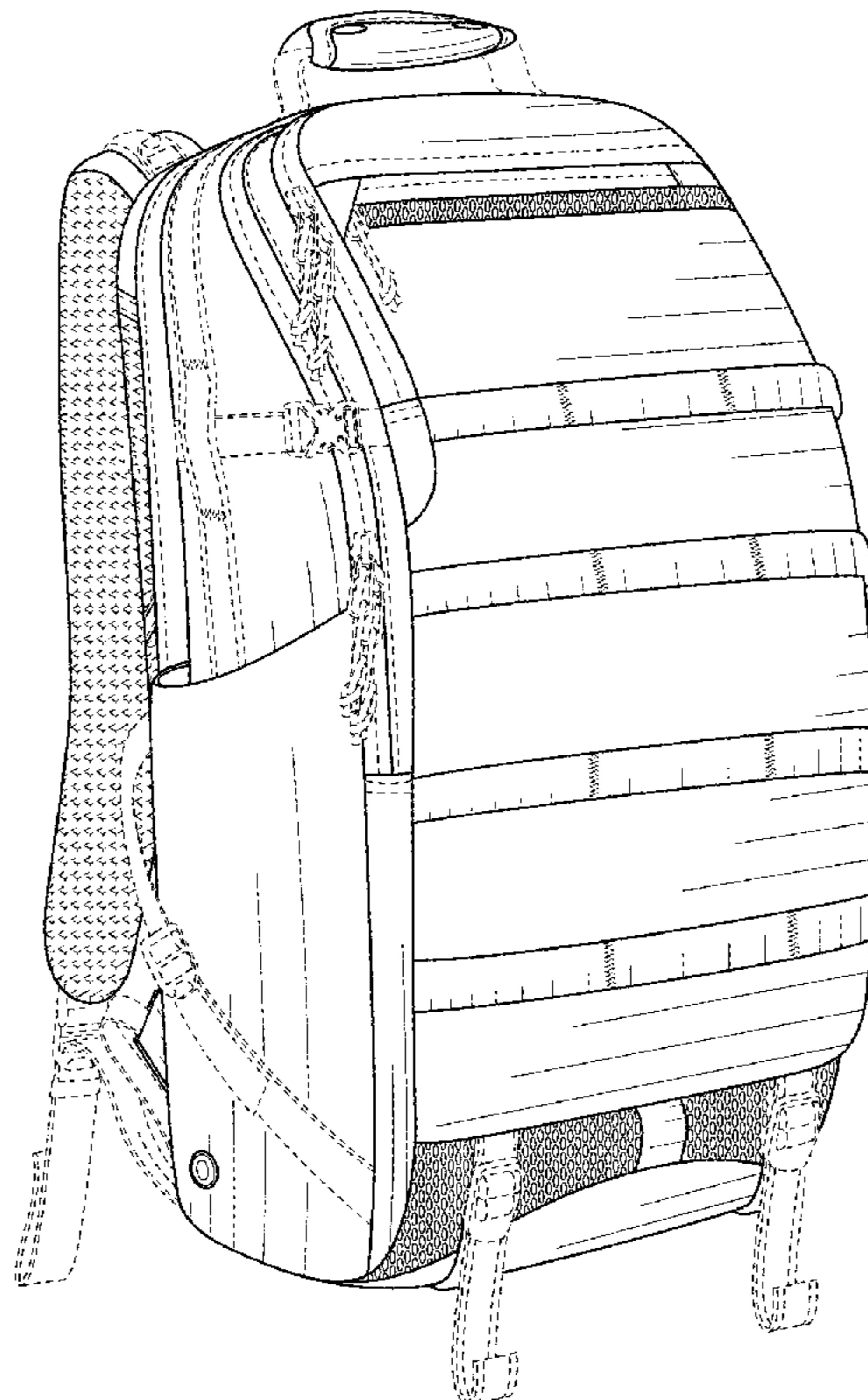
FIG. 1 is a front perspective view of the backpack claimed herein;
FIG. 2 is a front elevational view thereof;
FIG. 3 is a back elevational view thereof;
FIG. 4 is a left side elevational view thereof;
FIG. 5 is a right side elevational view thereof;
FIG. 6 is a top plan view thereof; and,
FIG. 7 is a bottom plan view thereof.
The broken lines depict portions of the article and stitching and form no part of the claim.

(56) **References Cited**

U.S. PATENT DOCUMENTS

D249,594 S *	9/1978	Stewart	D3/217
4,491,258 A *	1/1985	Jones	B62J 9/00 224/153

1 Claim, 6 Drawing Sheets



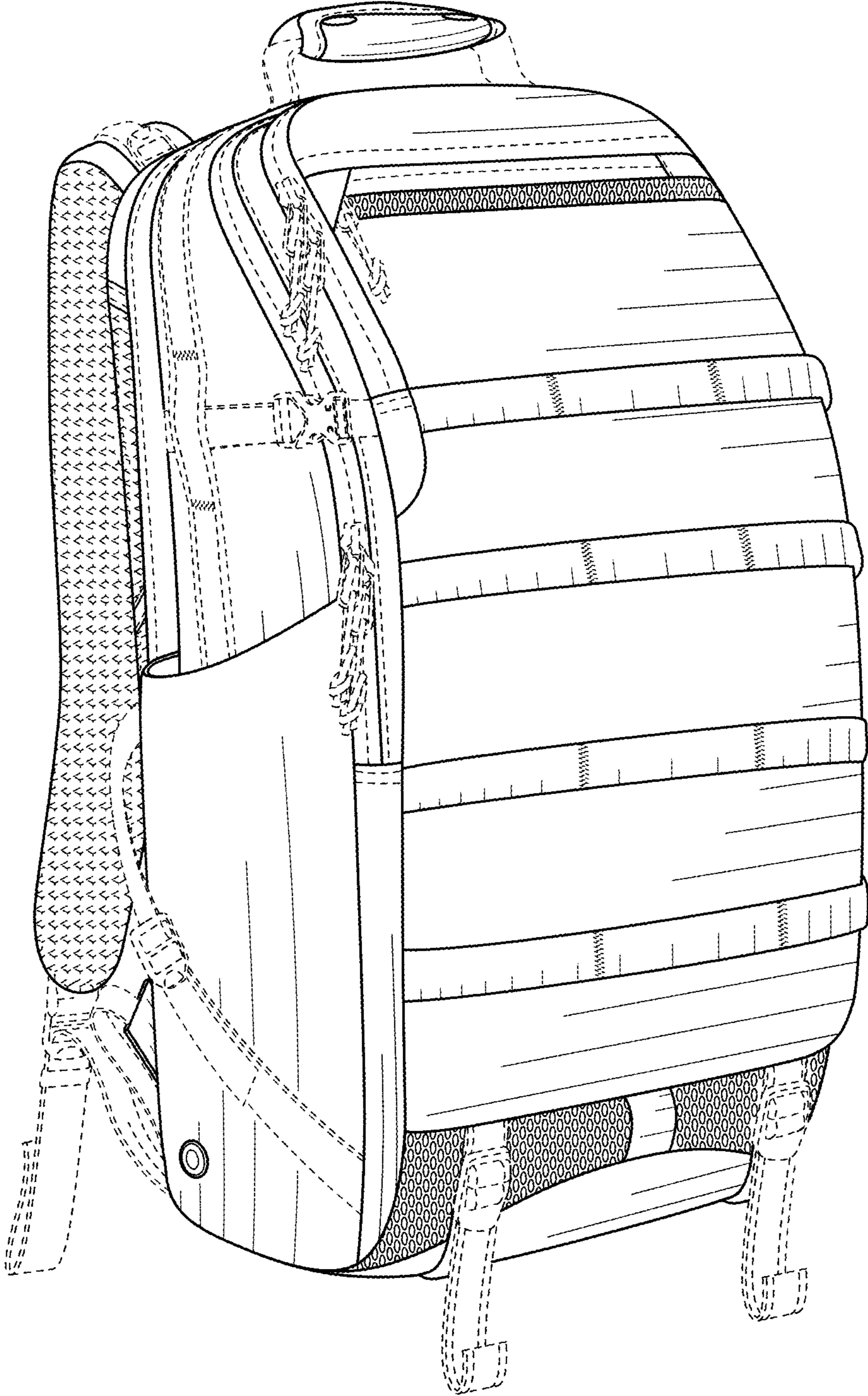


FIG. 1

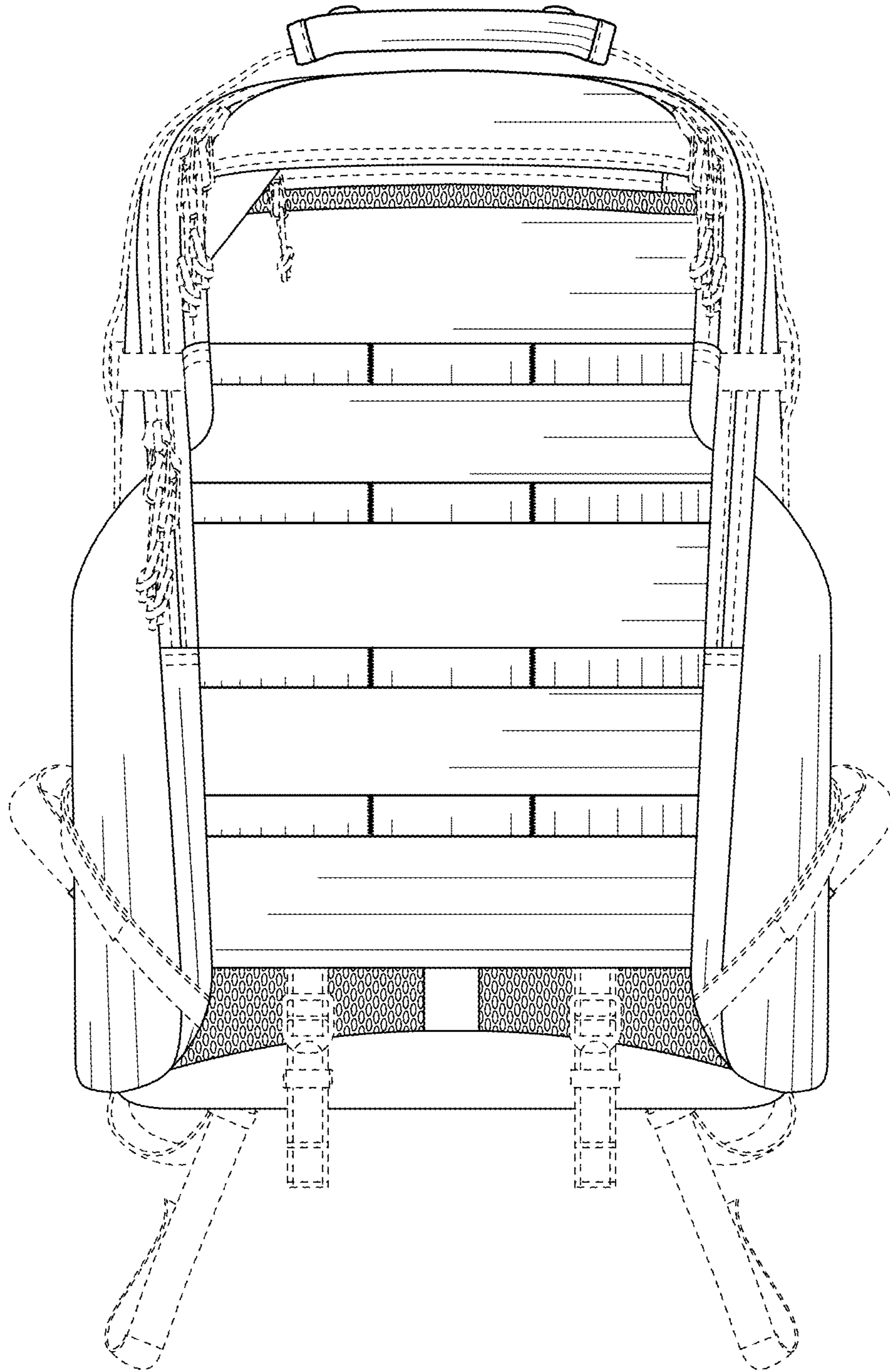


FIG. 2

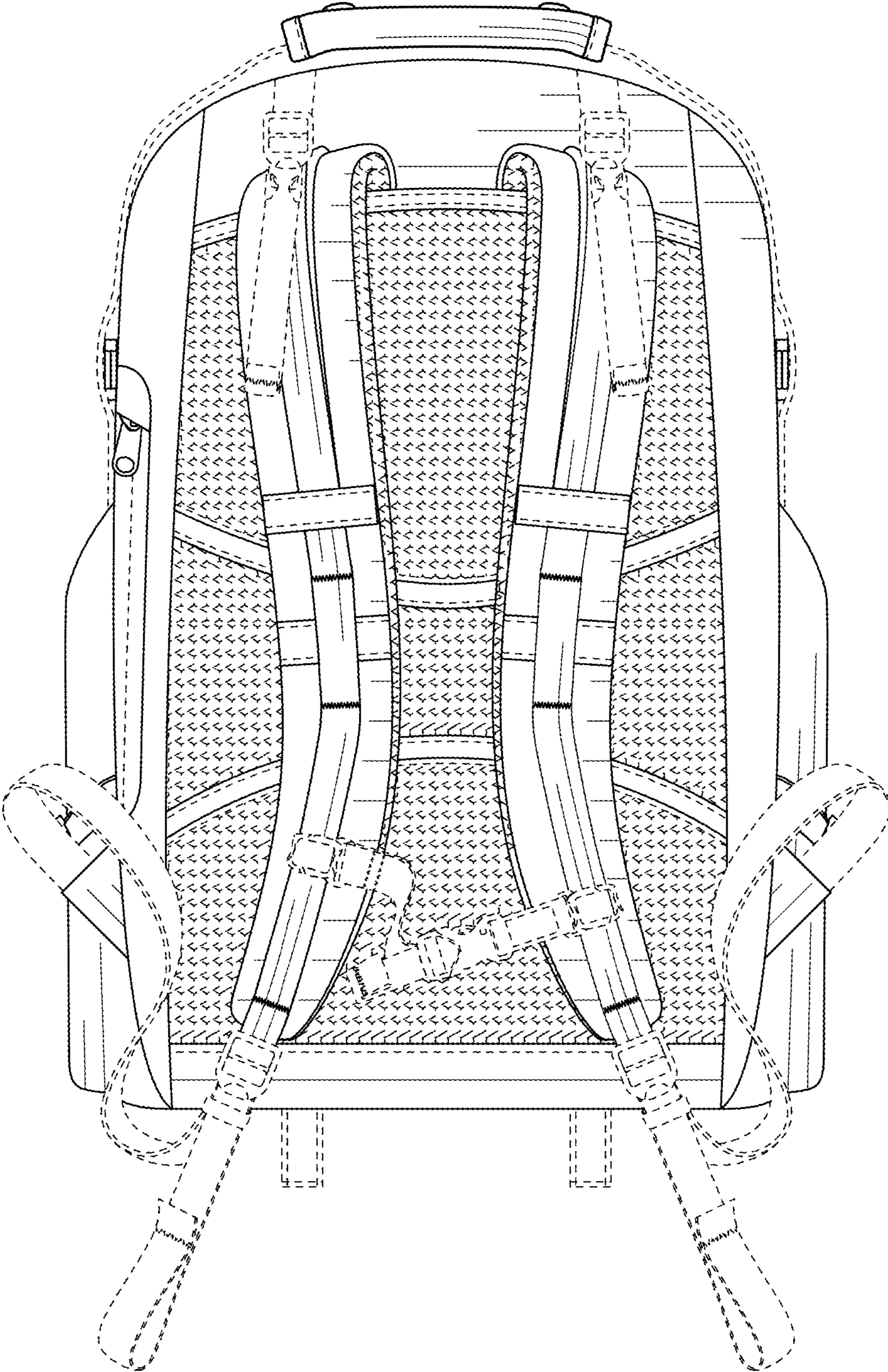


FIG. 3

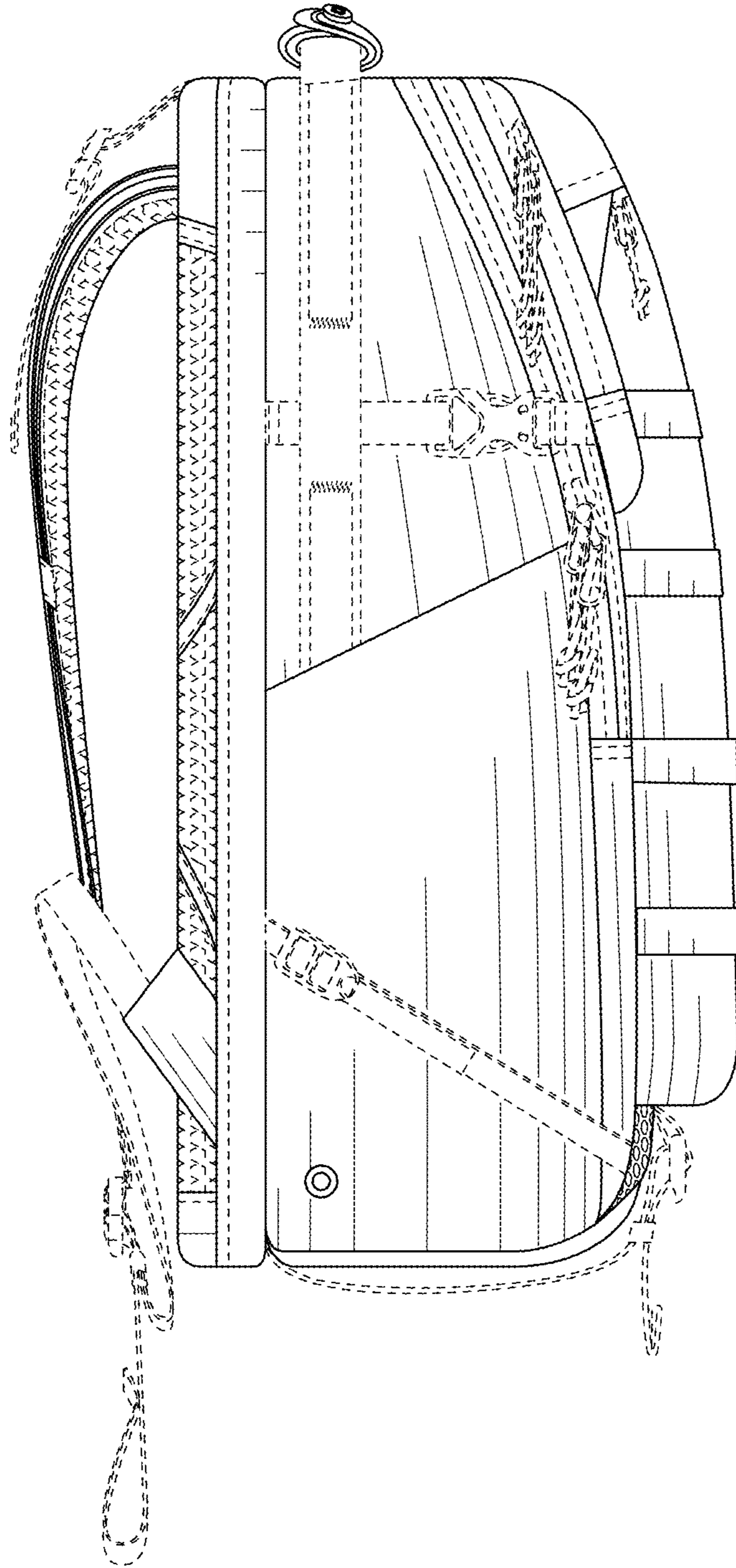


FIG. 4

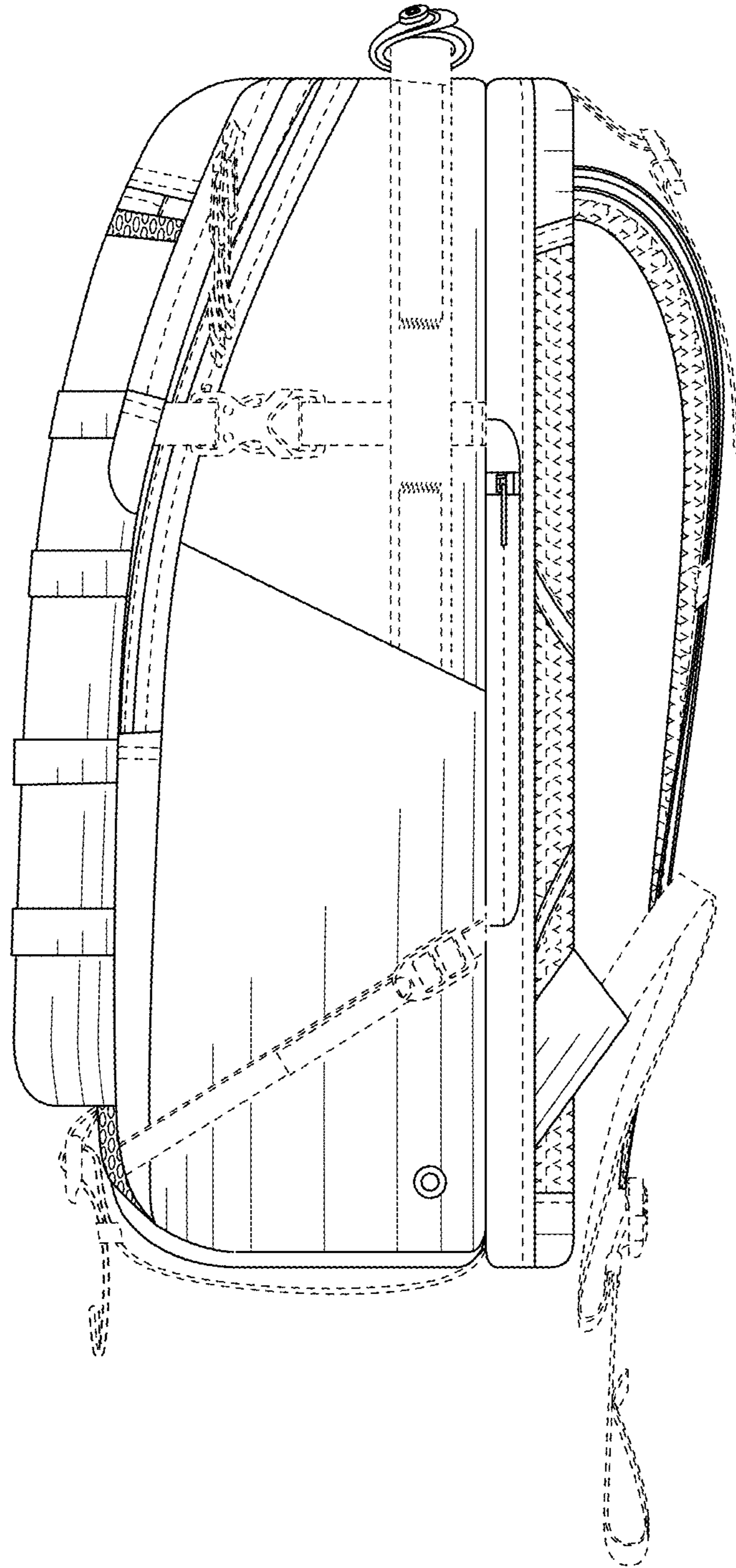


FIG. 5

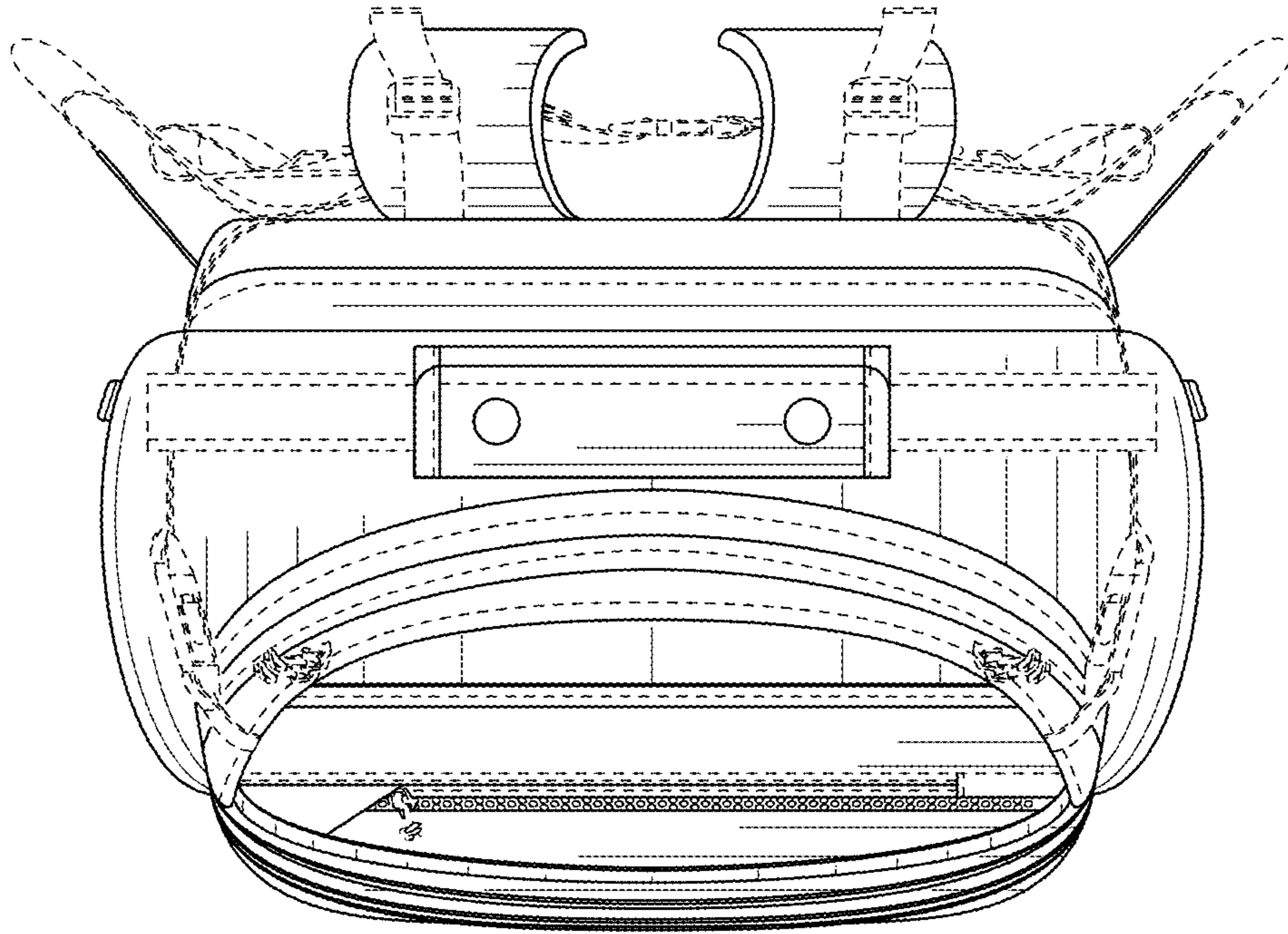


FIG. 6

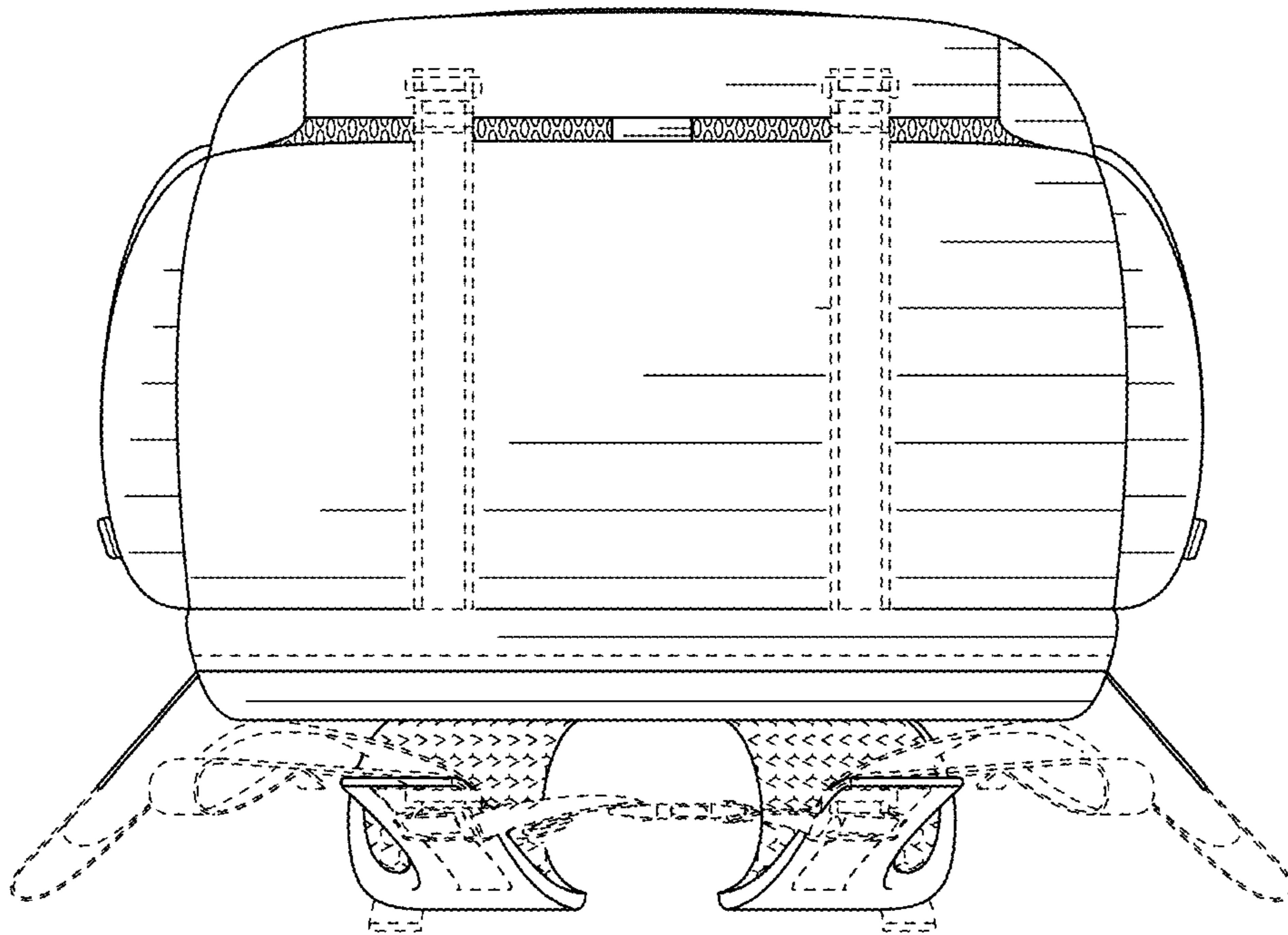


FIG. 7