



US00D893166S

(12) **United States Design Patent** (10) **Patent No.:** **US D893,166 S**
Lu (45) **Date of Patent:** **** Aug. 18, 2020**

(54) **EARPHONE CASE**
(71) Applicant: **Chuxuan Lu**, Guangdong Province (CN)
(72) Inventor: **Chuxuan Lu**, Guangdong Province (CN)
(**) Term: **15 Years**
(21) Appl. No.: **29/712,289**

D758,064 S * 6/2016 Zwetzig D3/201
D772,572 S * 11/2016 Palmberg D3/201
D779,946 S * 2/2017 Tulencik D3/318
D791,077 S * 7/2017 Tsou D13/108
D806,388 S * 1/2018 Akana D3/294
D810,421 S * 2/2018 Ross D3/203.1
D816,322 S * 5/2018 Choe D3/201
D816,994 S * 5/2018 Fischer D3/294
D817,640 S * 5/2018 Dang D3/294
D818,268 S * 5/2018 Akana D3/294
D822,374 S * 7/2018 Hung D3/201

(Continued)

(22) Filed: **Nov. 7, 2019**
(51) **LOC (12) Cl.** **03-01**
(52) **U.S. Cl.**
USPC **D3/201**
(58) **Field of Classification Search**
USPC D3/201, 212, 215, 218, 273, 294;
D9/711, 455; D13/108, 118; D14/217,
D14/223, 204, 205
CPC . A45C 13/002; A45C 2011/001; B65D 77/00;
B65D 77/0406; B65D 81/03; B65D
81/02; B65D 85/00
See application file for complete search history.

OTHER PUBLICATIONS

LitoDream AirPods Case, Electronics, Accessories & Supplies, Headphone Accessories, Cases, Amazon.com, Searched Mar. 10, 2020, publish date on amazon Nov. 4, 2019, https://www.amazon.com/dp/B081127X6Y/ref=sspa_dk_detail_4?pd_rd_i=B081RR52KJ&pd_rd_w=tCBjT&pf_rd_p=45a72588-80f7-4414-9851-786f6c16d42b&pd_rd_wg=bD6LF&pf_r.*

Primary Examiner — Steven J Czyz
(74) *Attorney, Agent, or Firm* — ZANIP

(56) **References Cited**

U.S. PATENT DOCUMENTS

D339,215 S * 9/1993 Spencer, Jr. D28/66
D367,608 S * 3/1996 Stranders D9/529
D380,355 S * 7/1997 Husted D7/679
D397,865 S * 9/1998 Lin D3/218
D399,604 S * 10/1998 Wolff D28/66
D436,434 S * 1/2001 Conway D3/203.5
D463,907 S * 10/2002 Lemoine D3/205
D467,799 S * 12/2002 Persson D9/420
D493,257 S * 7/2004 McCorkindale D28/66
D528,012 S * 9/2006 Snyder D9/529
D550,077 S * 9/2007 Lagreca D9/428
D576,037 S * 9/2008 Beam D9/435
D604,501 S * 11/2009 Lee D3/201
D614,048 S * 4/2010 Smith D3/203.1
D672,642 S * 12/2012 Supranowicz D9/420
D708,784 S * 7/2014 Kim D28/7
D731,781 S * 6/2015 Behar D3/201

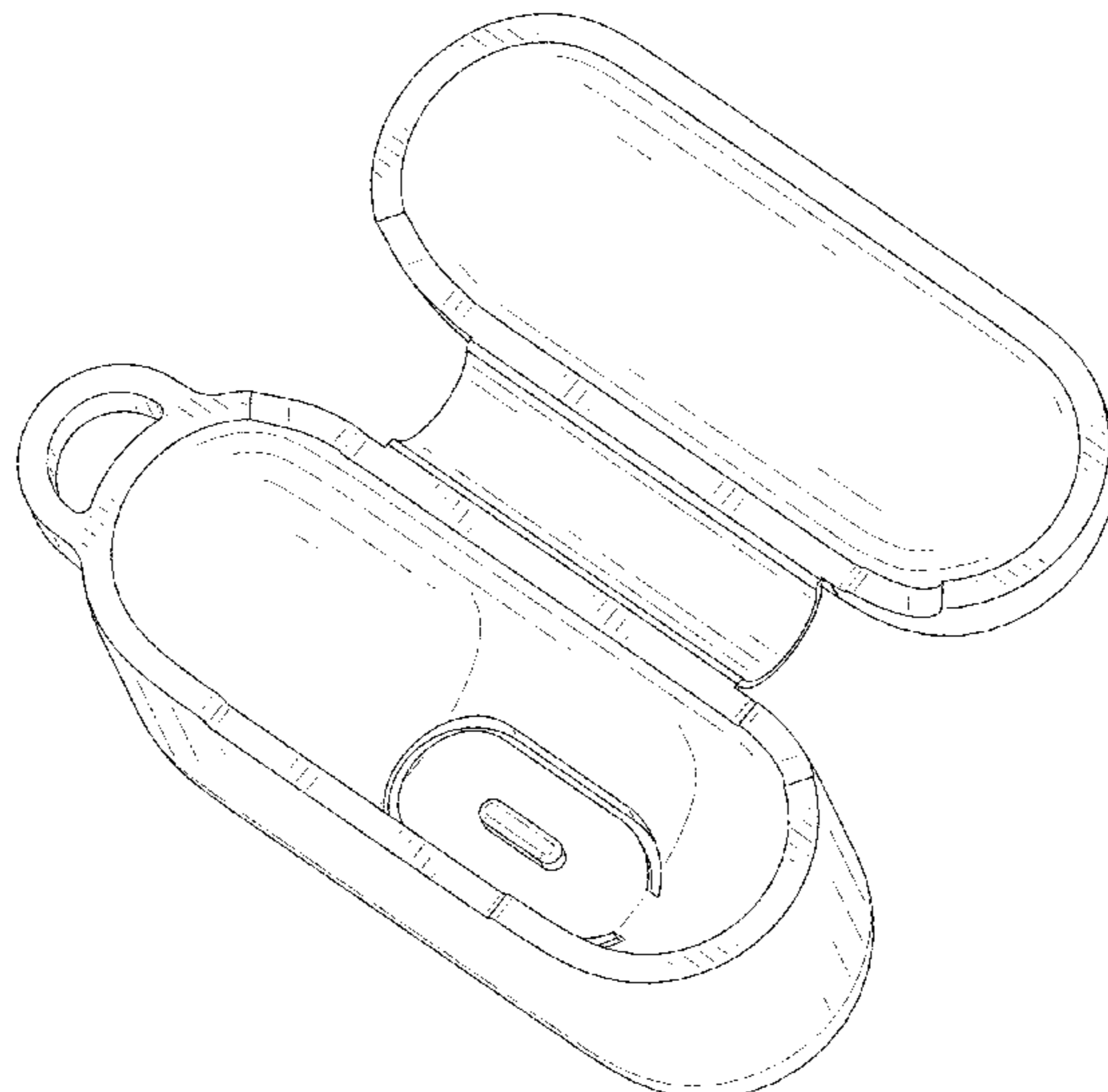
(57) **CLAIM**

The ornamental design for an earphone case, as shown and described.

DESCRIPTION

FIG. 1 is a front and top perspective view of an earphone case, showing my new design;
FIG. 2 is a rear and bottom perspective view thereof;
FIG. 3 is a front elevational view thereof;
FIG. 4 is a rear elevational view thereof;
FIG. 5 is a left side elevational view thereof;
FIG. 6 is a right side elevational view thereof;
FIG. 7 is a top plan view thereof; and,
FIG. 8 is a bottom plan view thereof.
The broken lines illustrate portions of the article that form no part of the claimed design.

1 Claim, 8 Drawing Sheets



(56)

References Cited

U.S. PATENT DOCUMENTS

D823,246	S	*	7/2018	Lin	D13/108
D834,301	S	*	11/2018	Poissant	D3/201
D838,480	S	*	1/2019	Son	D3/294
D839,583	S	*	2/2019	Cao	D3/201
D841,581	S	*	2/2019	Bonahoom	D13/108
D846,264	S	*	4/2019	Wu	D3/201
D851,394	S	*	6/2019	Li	D3/218
D851,913	S	*	6/2019	Yu	D3/201
D864,971	S	*	10/2019	Lee	D14/440
D865,663	S	*	11/2019	Yao	D13/108
D866,461	S	*	11/2019	Arimoto	D13/108
D868,451	S	*	12/2019	Harper	D3/201
D868,453	S	*	12/2019	Lee	D3/201
D869,161	S	*	12/2019	Zhong	D3/294
D870,451	S	*	12/2019	Birger	D3/201
D872,468	S	*	1/2020	Lee	D3/269
D872,469	S	*	1/2020	Lee	D3/269
D872,723	S	*	1/2020	Lee	D14/250
D873,217	S	*	1/2020	Zhang	D13/108
D876,242	S	*	2/2020	Akana	D9/737

* cited by examiner

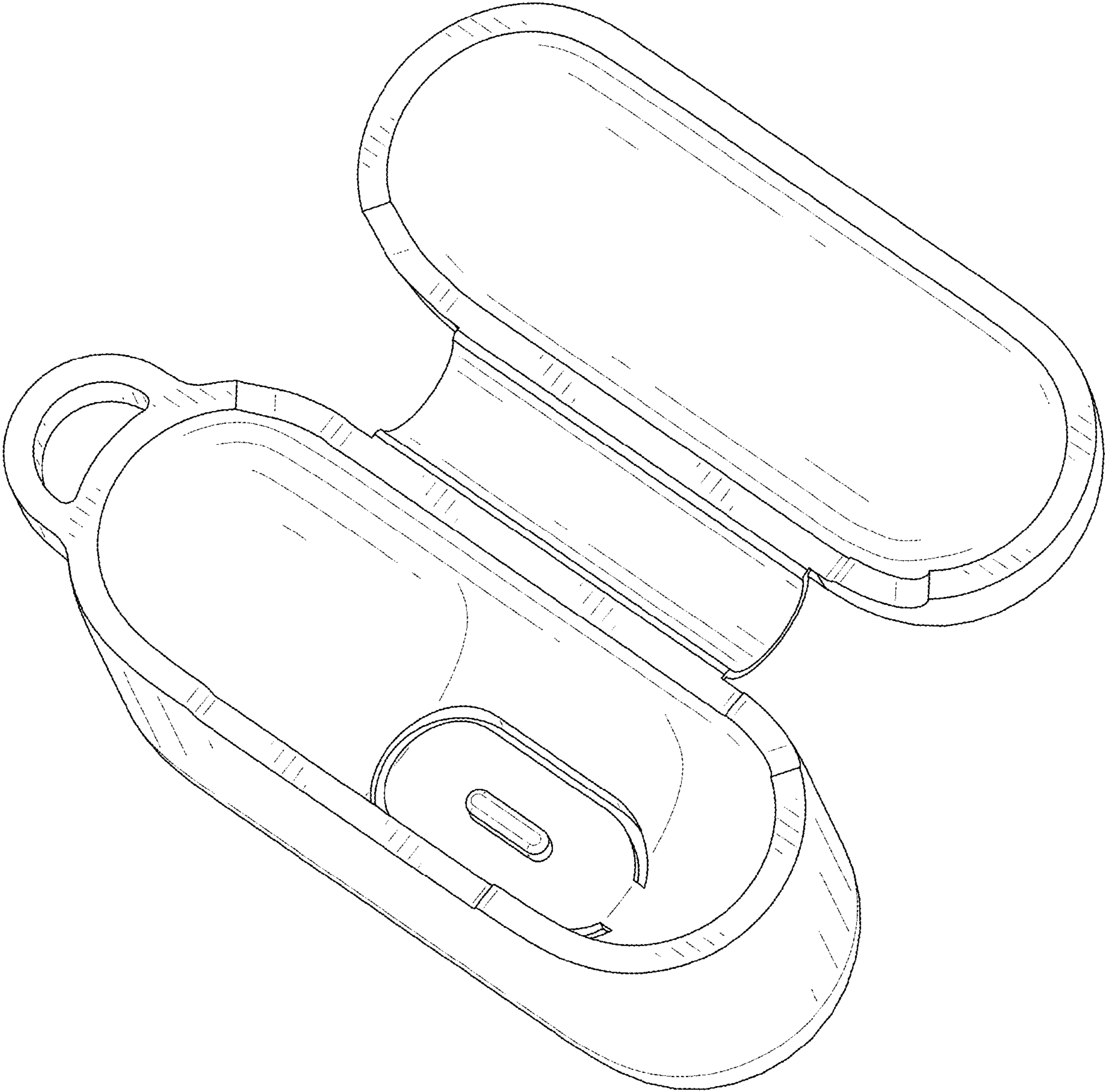


FIG. 1

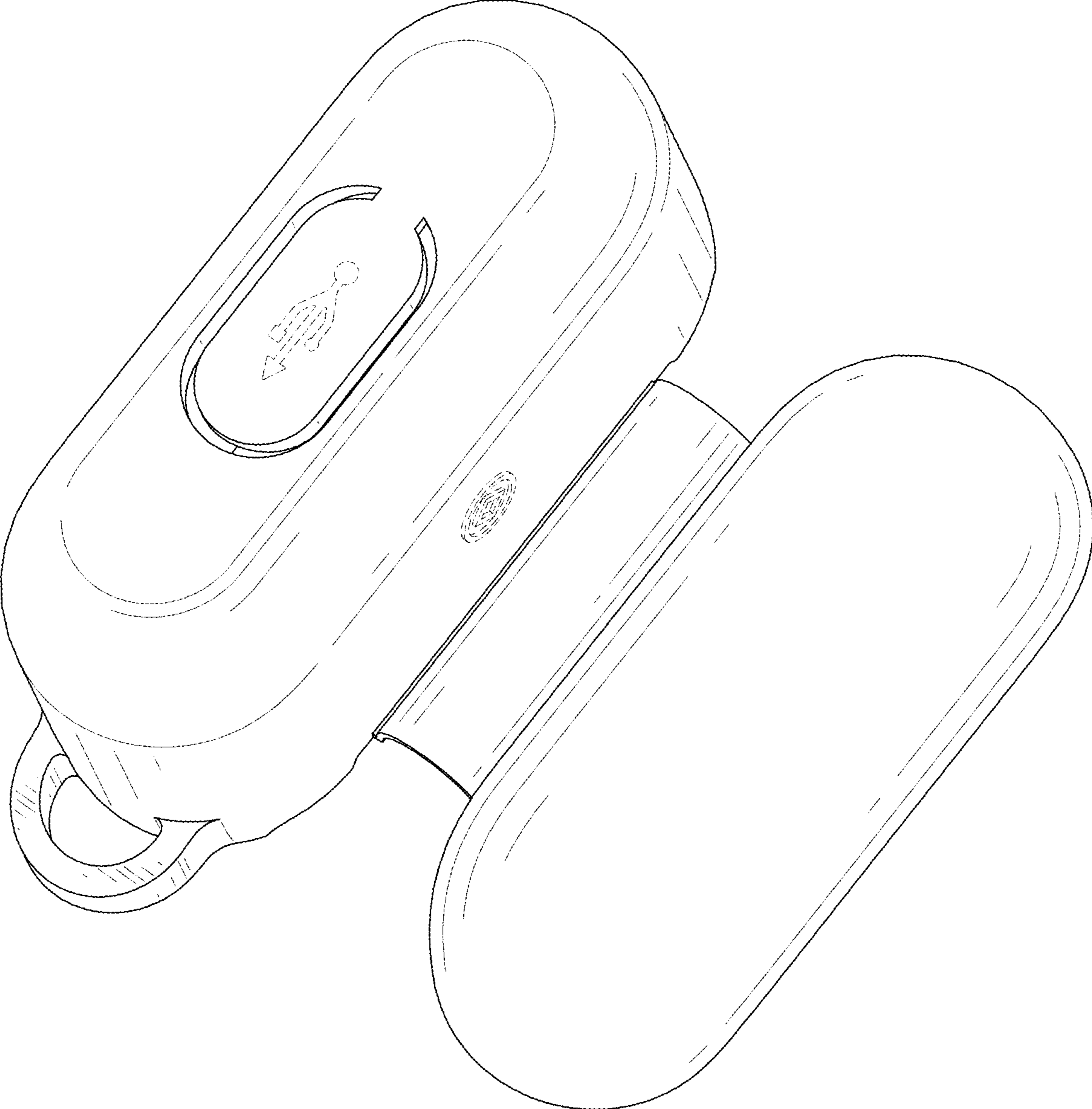


FIG. 2

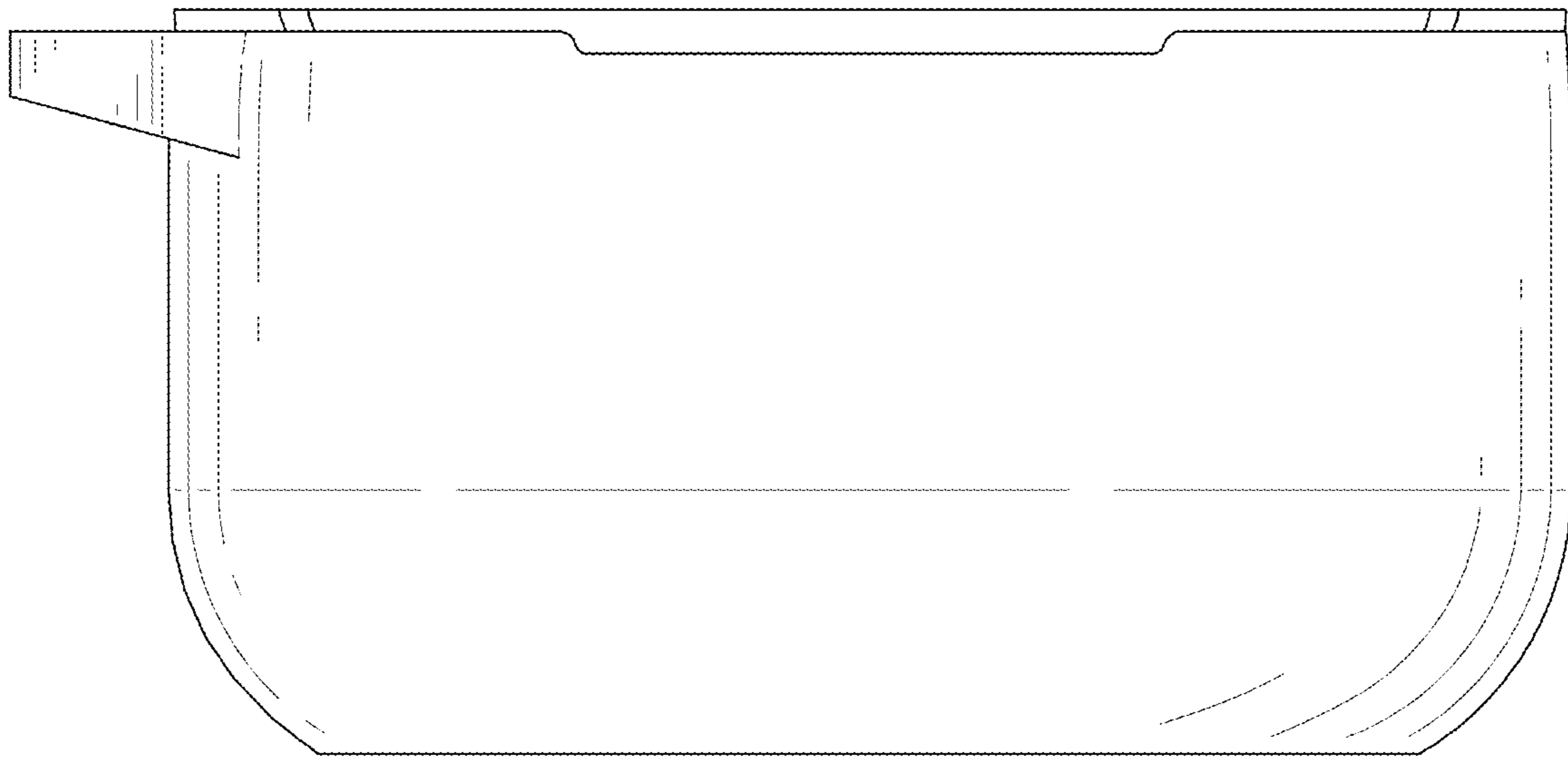


FIG. 3

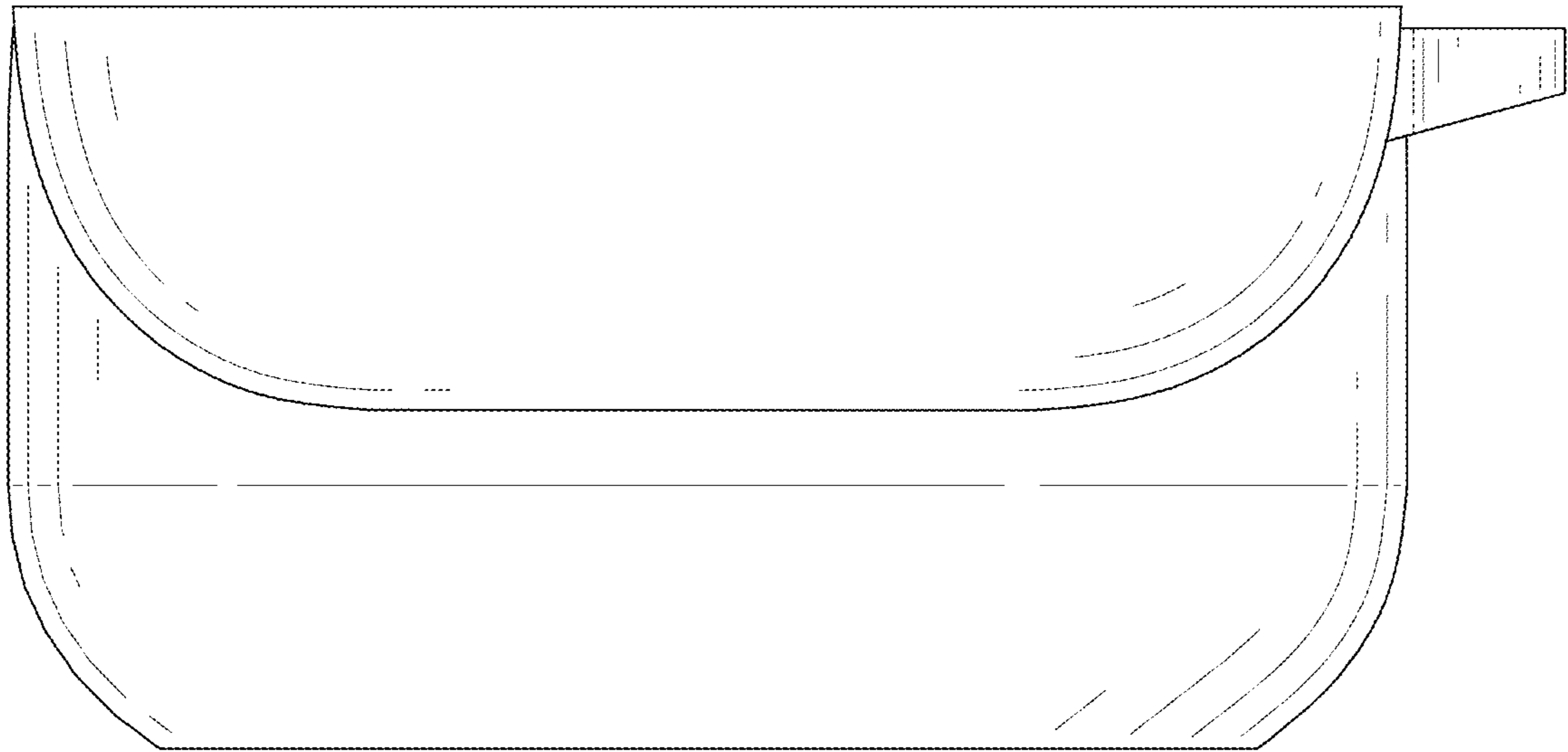


FIG. 4

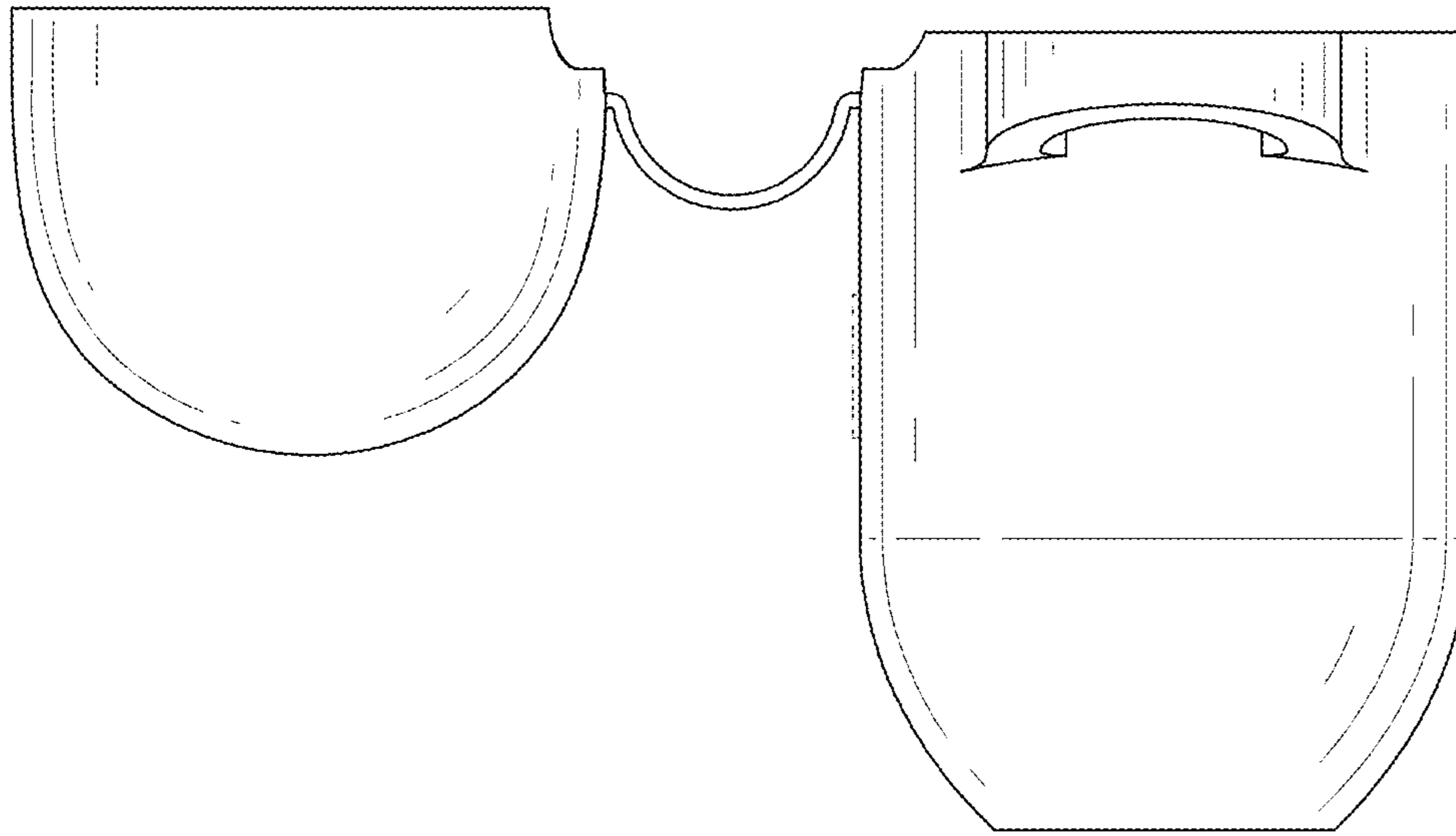


FIG. 5

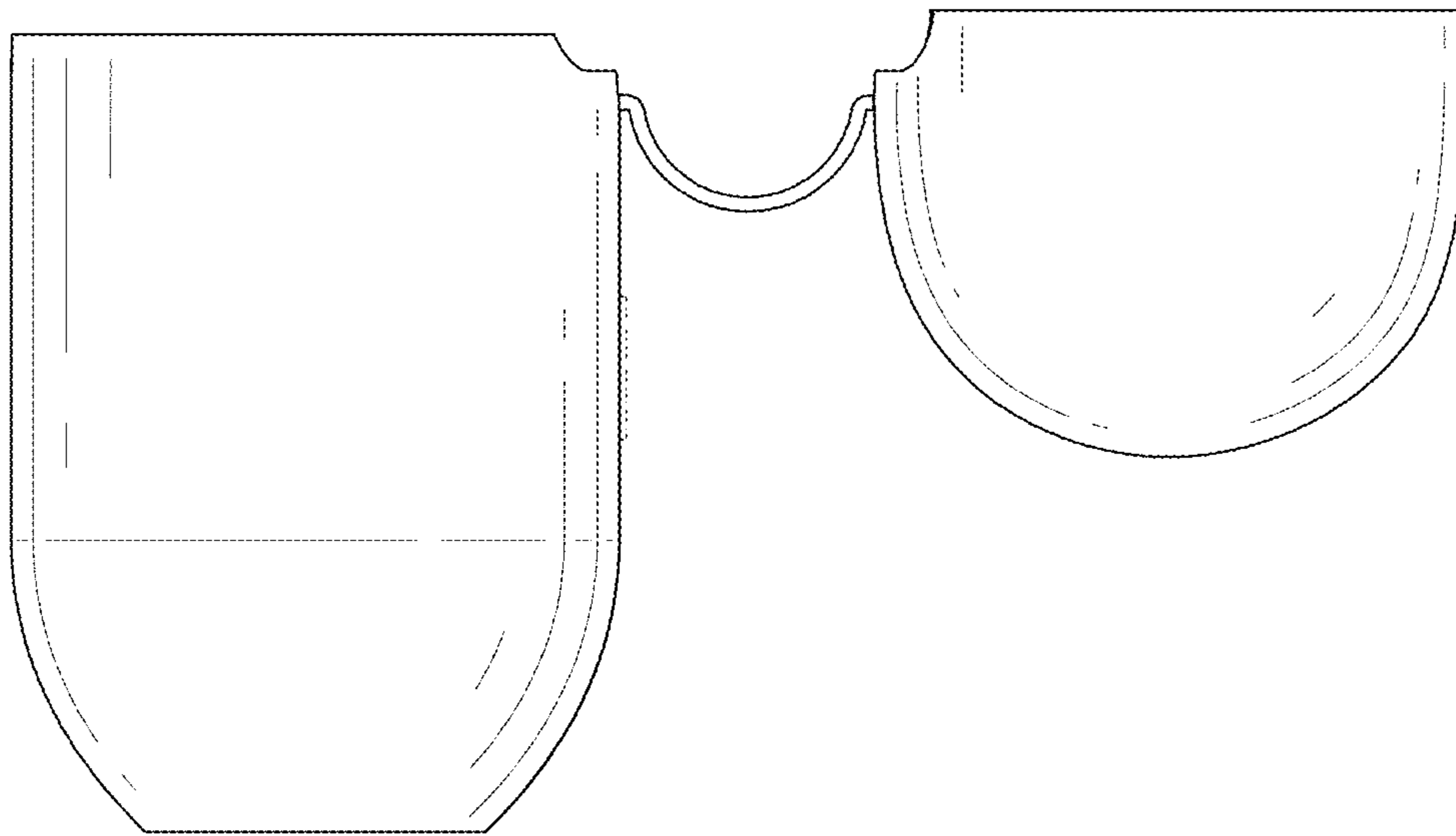


FIG. 6

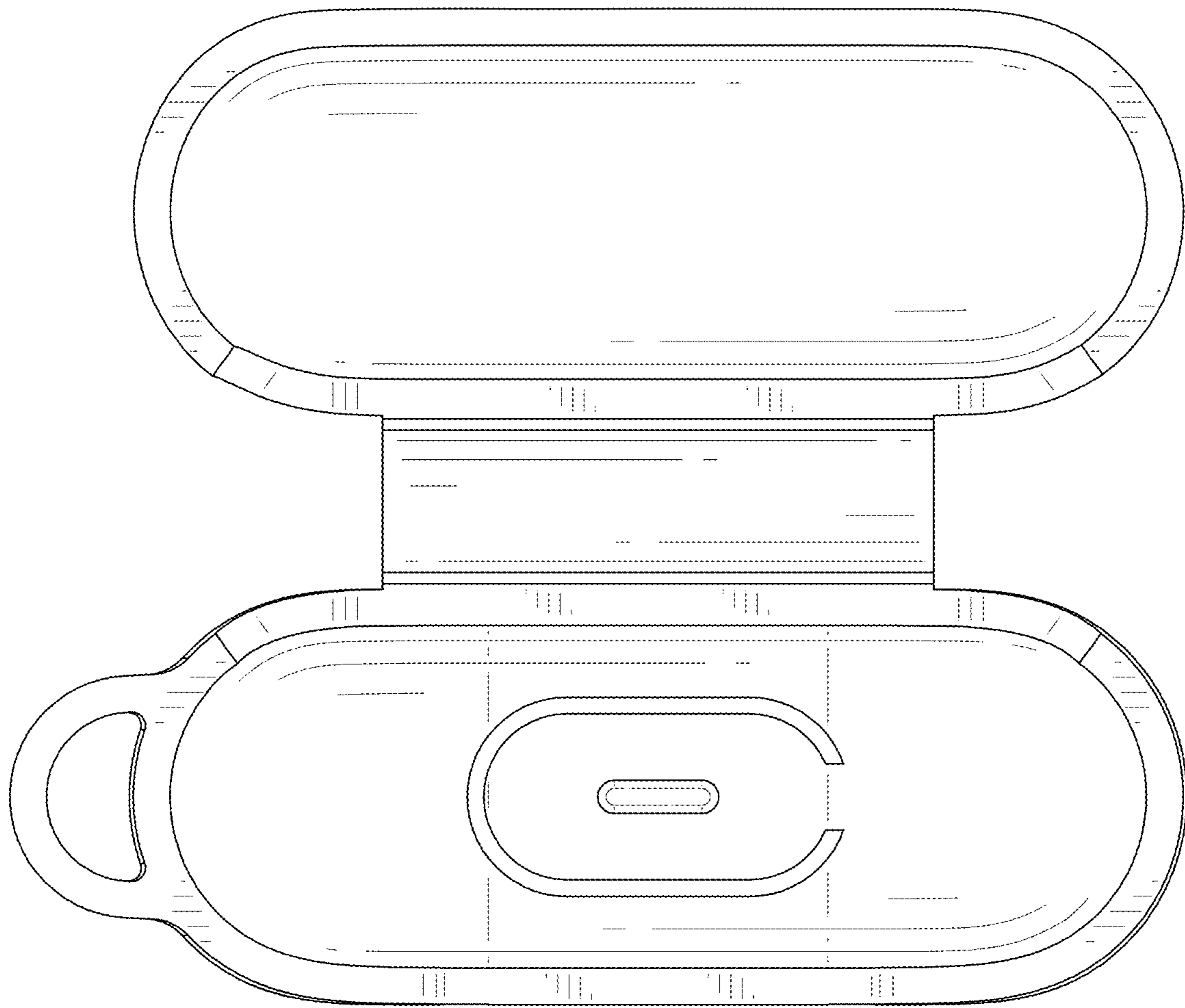


FIG. 7

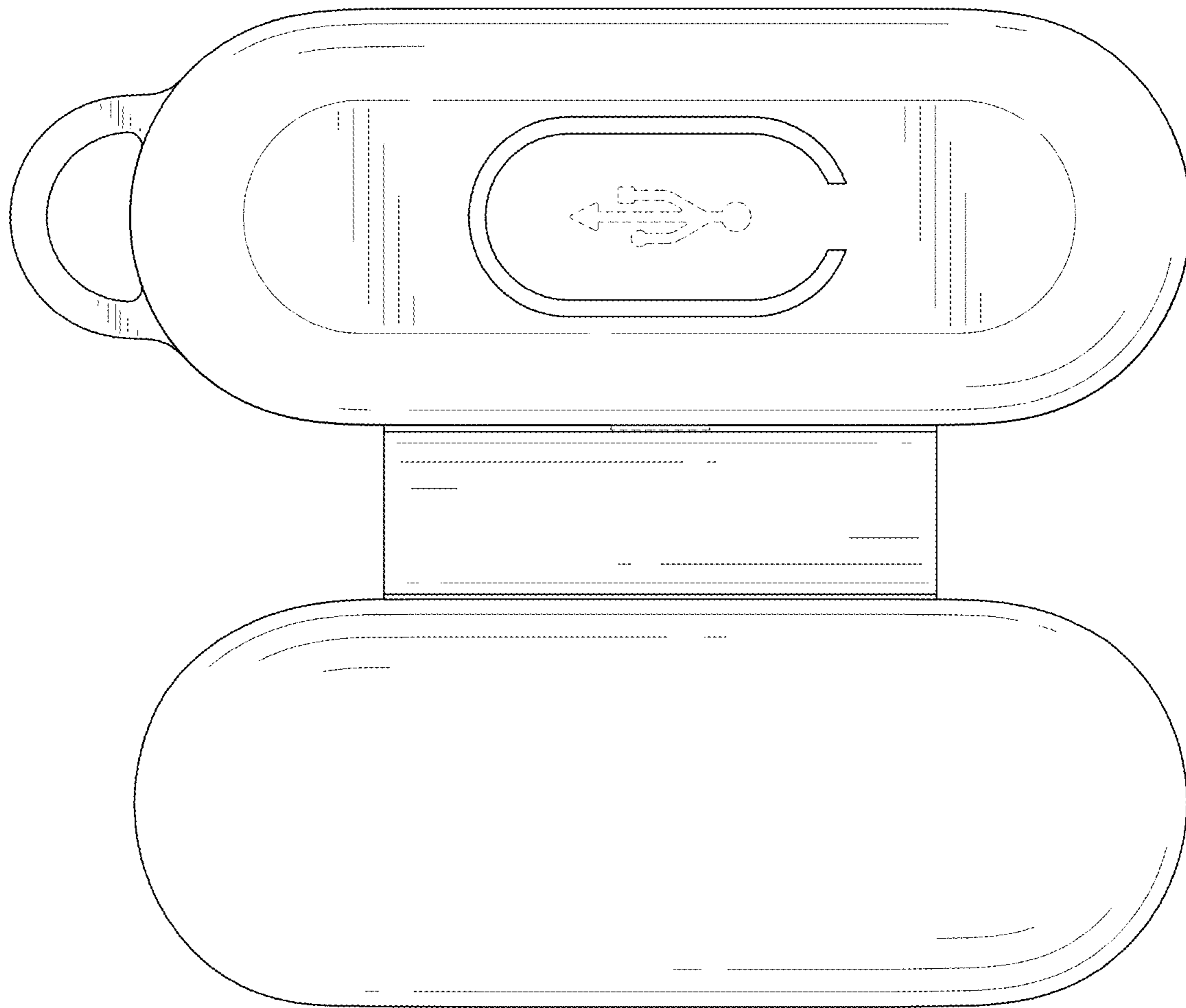


FIG. 8