



US00D893155S

(12) **United States Design Patent**
Avecilla

(10) **Patent No.:** **US D893,155 S**

(45) **Date of Patent:** **** Aug. 18, 2020**

(54) **SHOE WITH RETRACTABLE HEEL**

(71) Applicant: **Melody Avecilla**, Studio City, CA (US)

(72) Inventor: **Melody Avecilla**, Studio City, CA (US)

(**) Term: **15 Years**

(21) Appl. No.: **29/659,185**

(22) Filed: **Aug. 7, 2018**

(51) **LOC (12) Cl.** **02-04**

(52) **U.S. Cl.**

USPC **D2/965**

(58) **Field of Classification Search**

USPC D2/925, 939, 956, 966

CPC A43B 3/24; A43B 21/42; A43B 21/52;

A43B 7/38

See application file for complete search history.

(56) **References Cited**

U.S. PATENT DOCUMENTS

2,767,489	A *	10/1956	Sturman	A43B 21/437
					36/34 R
5,309,651	A *	5/1994	Handel	A43B 21/433
					36/100
D633,288	S *	3/2011	Shin	D2/965
8,112,908	B2 *	2/2012	Visser	A43B 21/46
					36/100
8,281,503	B2 *	10/2012	Savill, Jr.	A43B 3/24
					36/100
8,322,053	B2 *	12/2012	Handel	A43B 3/24
					36/100
9,289,025	B2 *	3/2016	Damodar	A43B 21/36
9,936,761	B2 *	4/2018	Alan	A43B 21/433
10,045,591	B2 *	8/2018	Isinhue	A43B 1/0054
10,426,217	B1 *	10/2019	Mainolfi	A43B 3/24
2007/0289167	A1 *	12/2007	Pieriboni	A43B 3/24
					36/100
2010/0083537	A1 *	4/2010	Wierda	A43B 3/24
					36/100
2012/0085000	A1 *	4/2012	Alaimo	A43B 3/246
					36/100

(Continued)

OTHER PUBLICATIONS

“YouTube—Runway Heels—for the Modern Woman on the Go.”
Found online Jan. 30, 2020 at www.youtube.com. Video published
Oct. 26, 2017. Retrieved from URL: [https://www.youtube.com/
watch?v=5B5vZ2zTX7M](https://www.youtube.com/watch?v=5B5vZ2zTX7M) (Year: 2017).*

(Continued)

Primary Examiner — Mary Ann Calabrese

Assistant Examiner — Katelin G Kloberg

(74) *Attorney, Agent, or Firm* — Fennemore Craig, P.C.

(57) **CLAIM**

The ornamental design for a shoe with retractable heel, as
shown and described.

DESCRIPTION

FIG. 1 is a bottom, left side perspective view of a shoe with
retractable heel—showing my new design in an extended
configuration;

FIG. 2 is a left side view thereof;

FIG. 3 is a right side view thereof;

FIG. 4 is a top plan view thereof;

FIG. 5 is a bottom plan view thereof;

FIG. 6 is a rear view thereof;

FIG. 7 is a front view thereof;

FIG. 8 is a bottom, left side perspective view of the shoe
with retractable heel shown in a retracted position;

FIG. 9 is a left side view thereof;

FIG. 10 is a right side view thereof;

FIG. 11 is a top plan view thereof;

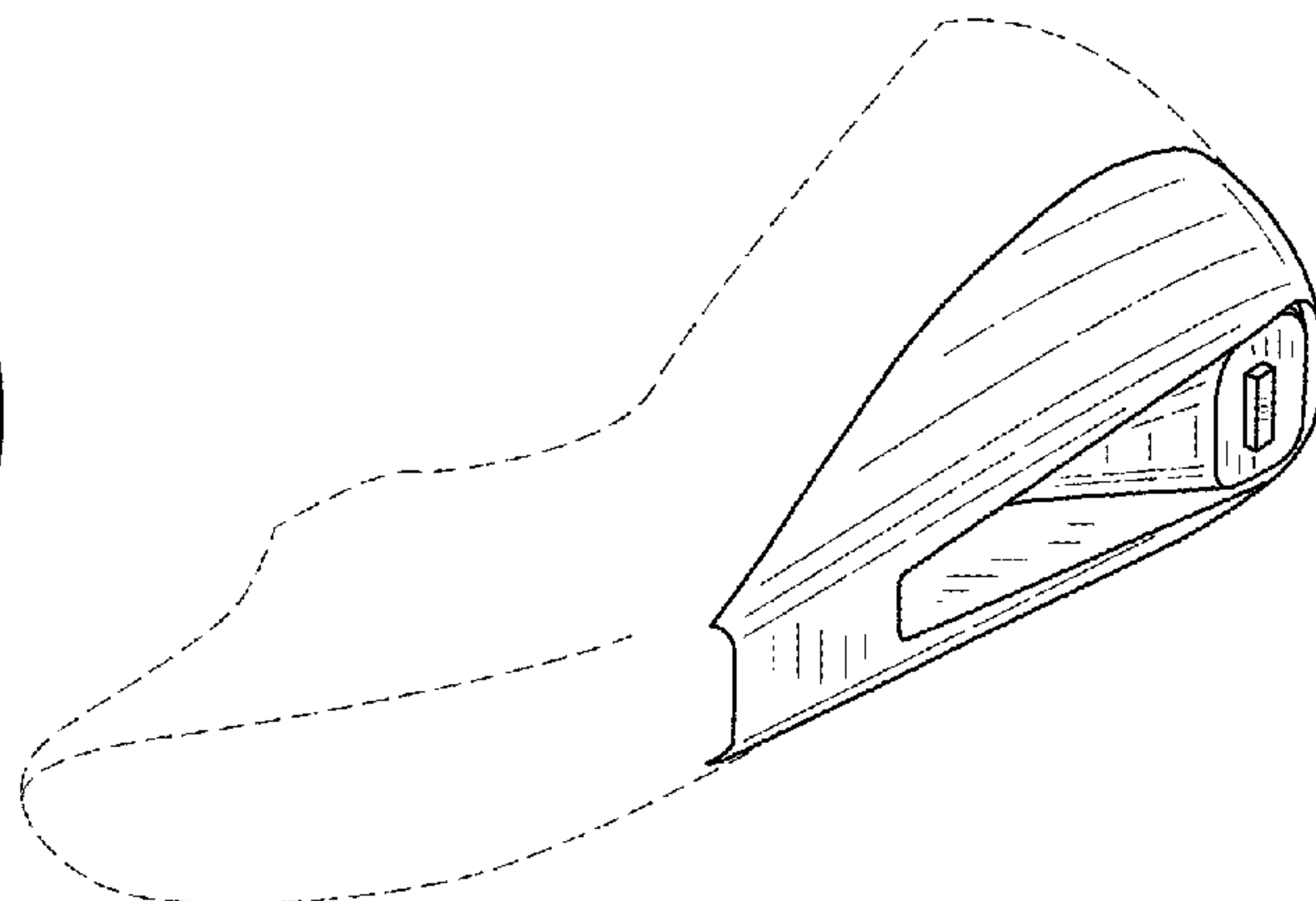
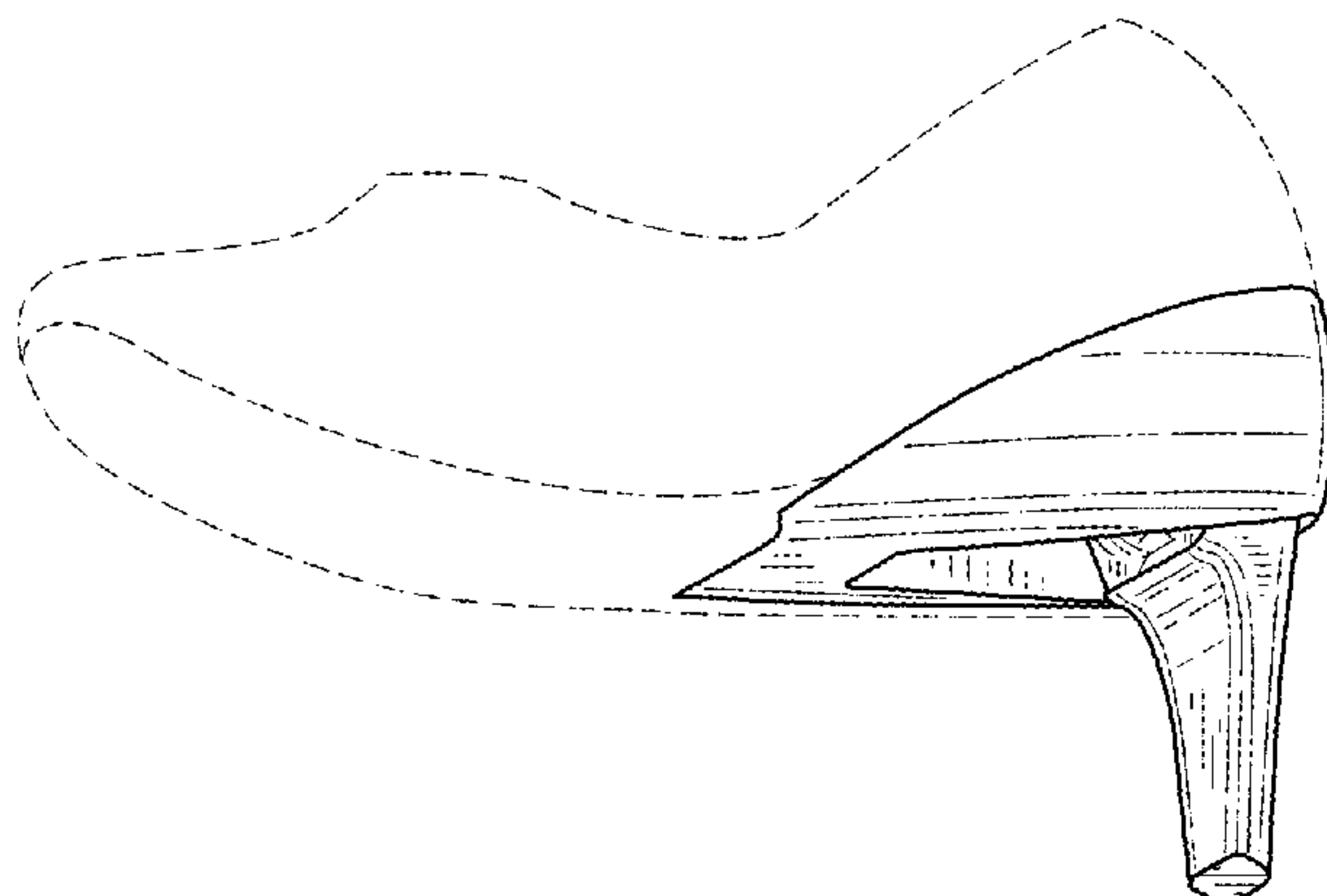
FIG. 12 is a bottom plan view thereof;

FIG. 13 is a rear view thereof; and,

FIG. 14 is a front view thereof.

The broken lines depict environmental subject matter that
forms no part of the claimed design.

1 Claim, 13 Drawing Sheets



(56)

References Cited

U.S. PATENT DOCUMENTS

2015/0264994 A1* 9/2015 Guardado A43B 21/52
36/100
2016/0198795 A1* 7/2016 Lopez-Velasquez
A43B 21/42
36/100
2019/0037965 A1* 2/2019 Avecilla A43B 21/433

OTHER PUBLICATIONS

“Indiegogo—Runway Heels: World’s First Retractable High Heels.” Found online Jan. 30, 2020 at www.indiegogo.com. Project launched Nov. 7, 2017. Retrieved from URL: <https://www.indiegogo.com/projects/runway-heels-world-s-first-retractable-high-heels#/updates/all> (Year: 2017).*

“Industry’s First Retractable High Heels.” Found online Jan. 30, 2020 at www.swomag.com. Page dated Nov. 15, 2017. Retrieved from URL: <https://www.swomag.com/industrys-first-retractable-high-heels/> (Year: 2017).*

“Fashionable Comfort Available This Christmas.” Found online Jan. 30, 2020 at pmewswire.com. Page dated Dec. 19, 2019. Retrieved from URL: <https://tinyurl.com/wbj964t> (Year: 2019).*

“Camileon Heels—Engineered Retractable Heel.” Found online Jan. 30, 2020 at www.designdesignonline.com. Page archived Oct. 9, 2014. Retrieved from URL: https://web.archive.org/web/20141009181655/http://www.designdesignonline.com/product/camileon_heel.html (Year: 2014).*

“Sheila Driving Shoe makes high-heel and toeing a reality.” Found online Jan. 30, 2020 at www.autoblog.com. Page dated Jun. 18, 2007. Retrieved from URL: <https://www.autoblog.com/2007/06/18/sheila-driving-shoe-makes-high-heel-and-toeing-a-reality/> (Year: 2007).*

* cited by examiner

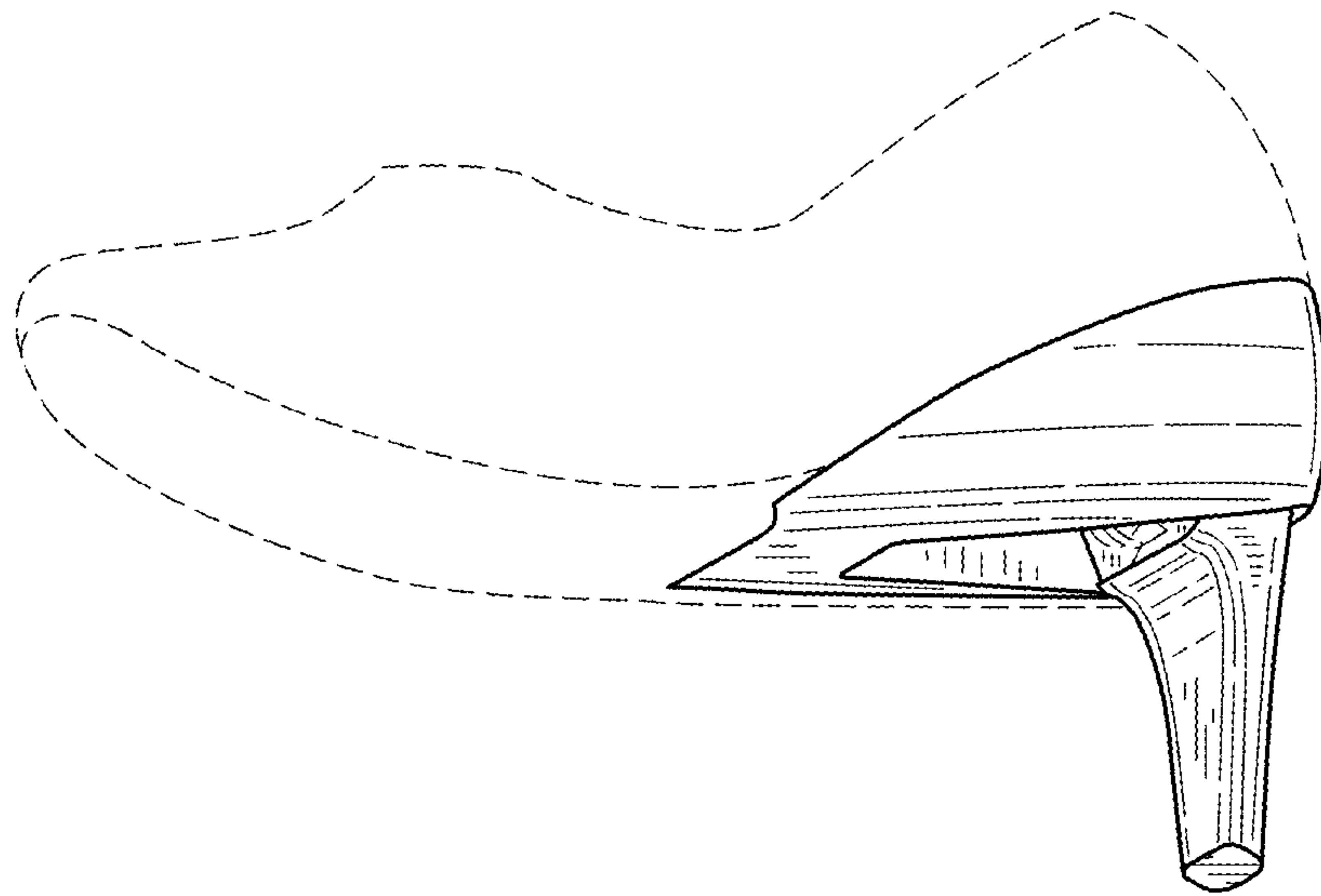


FIG. 1

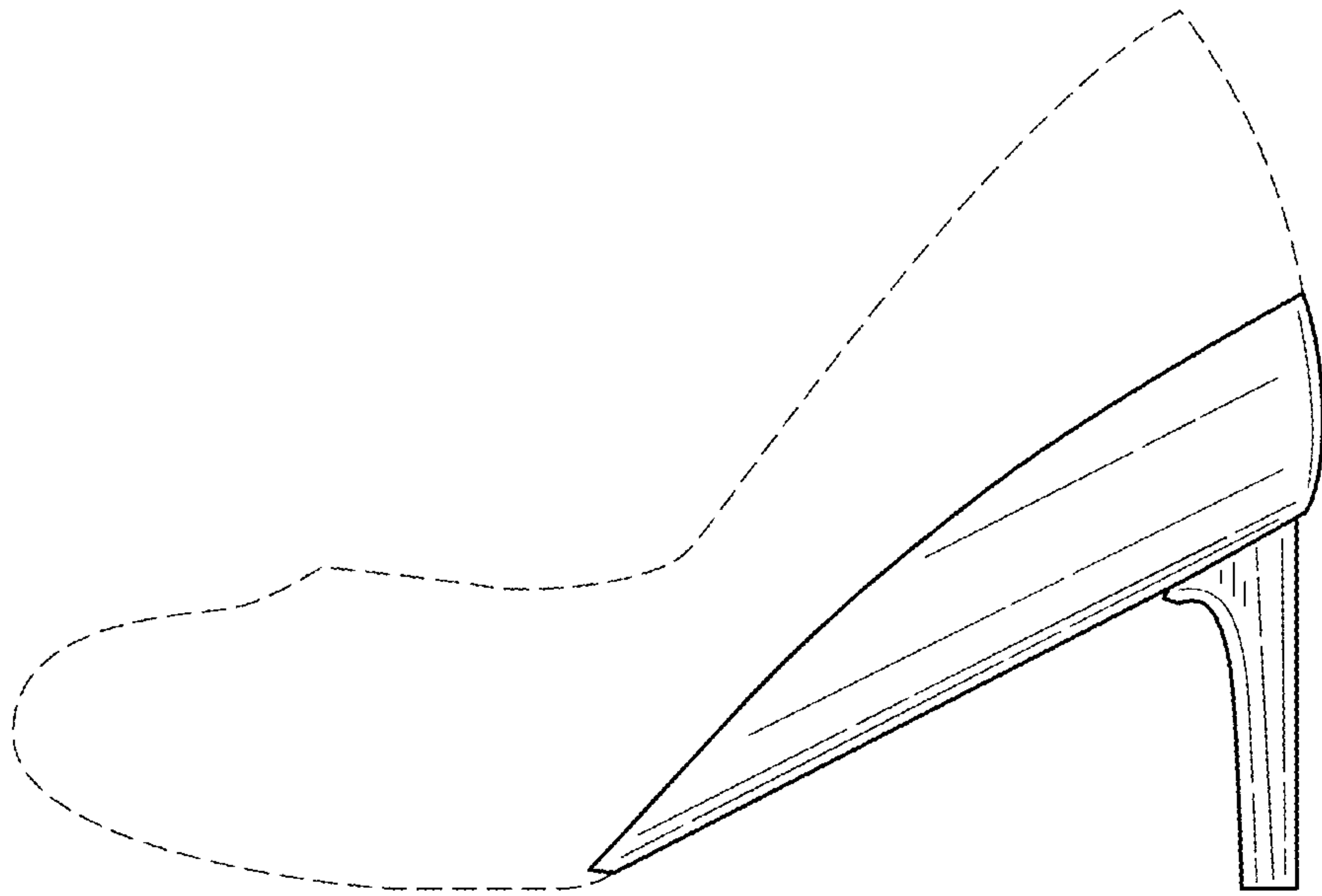


FIG.2

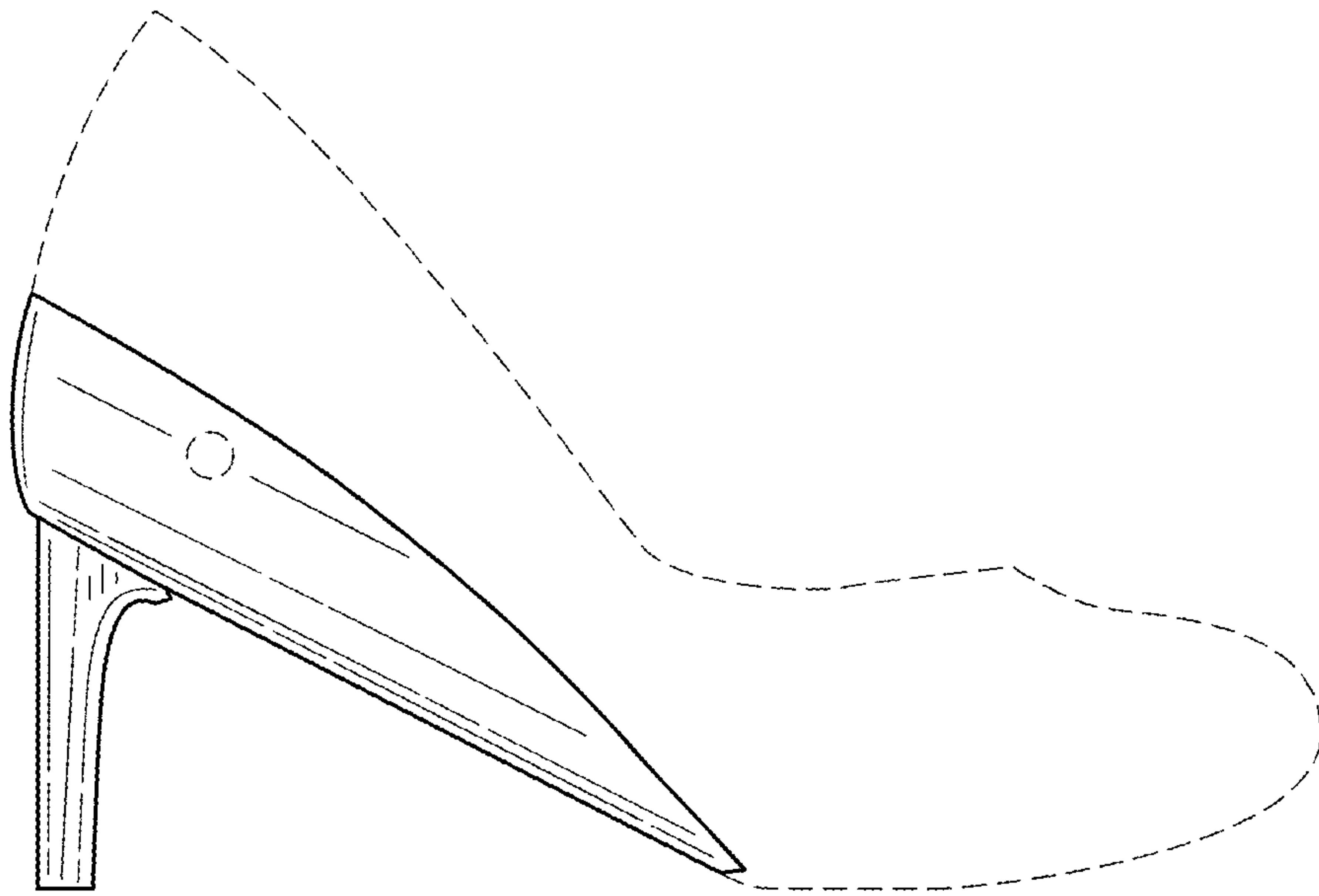


FIG.3

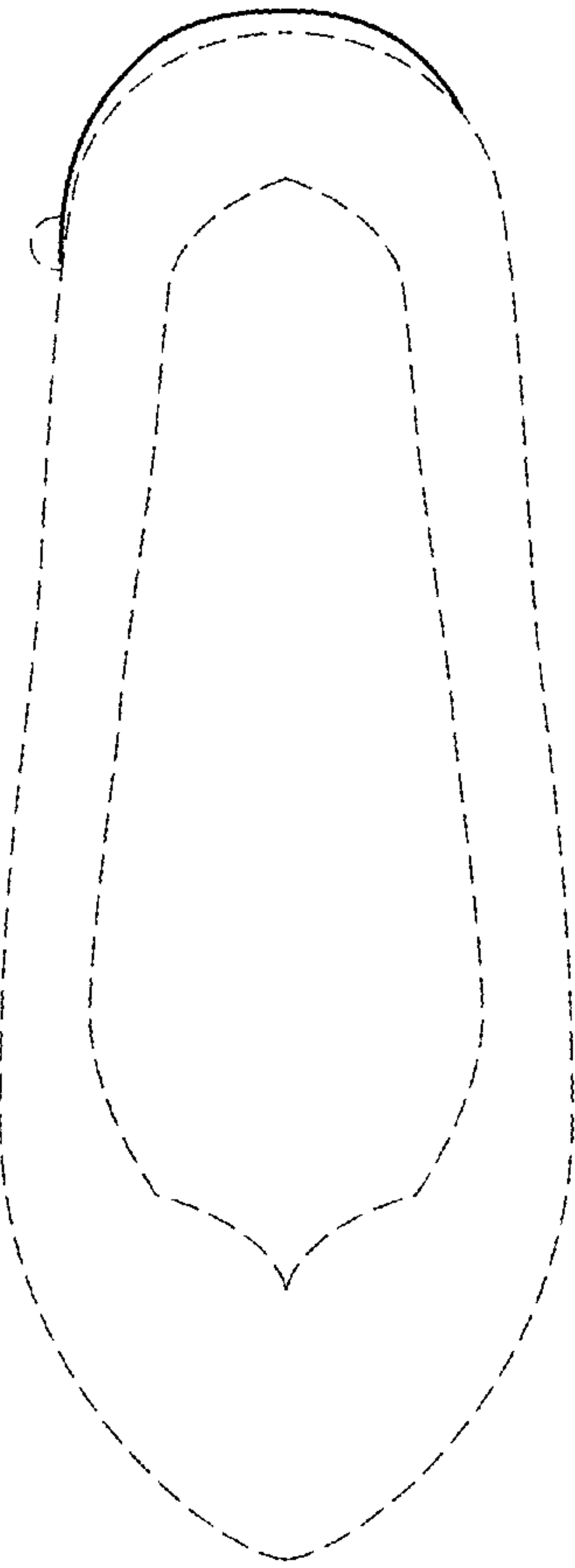


FIG.4

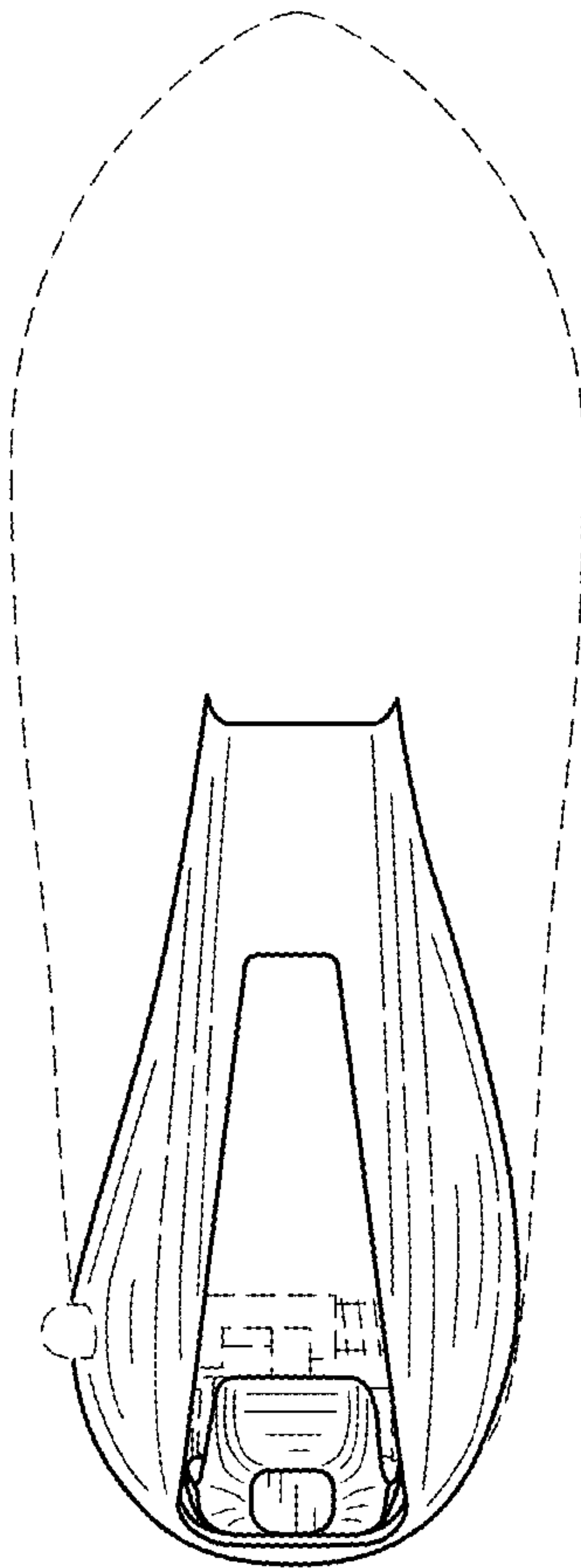


FIG.5

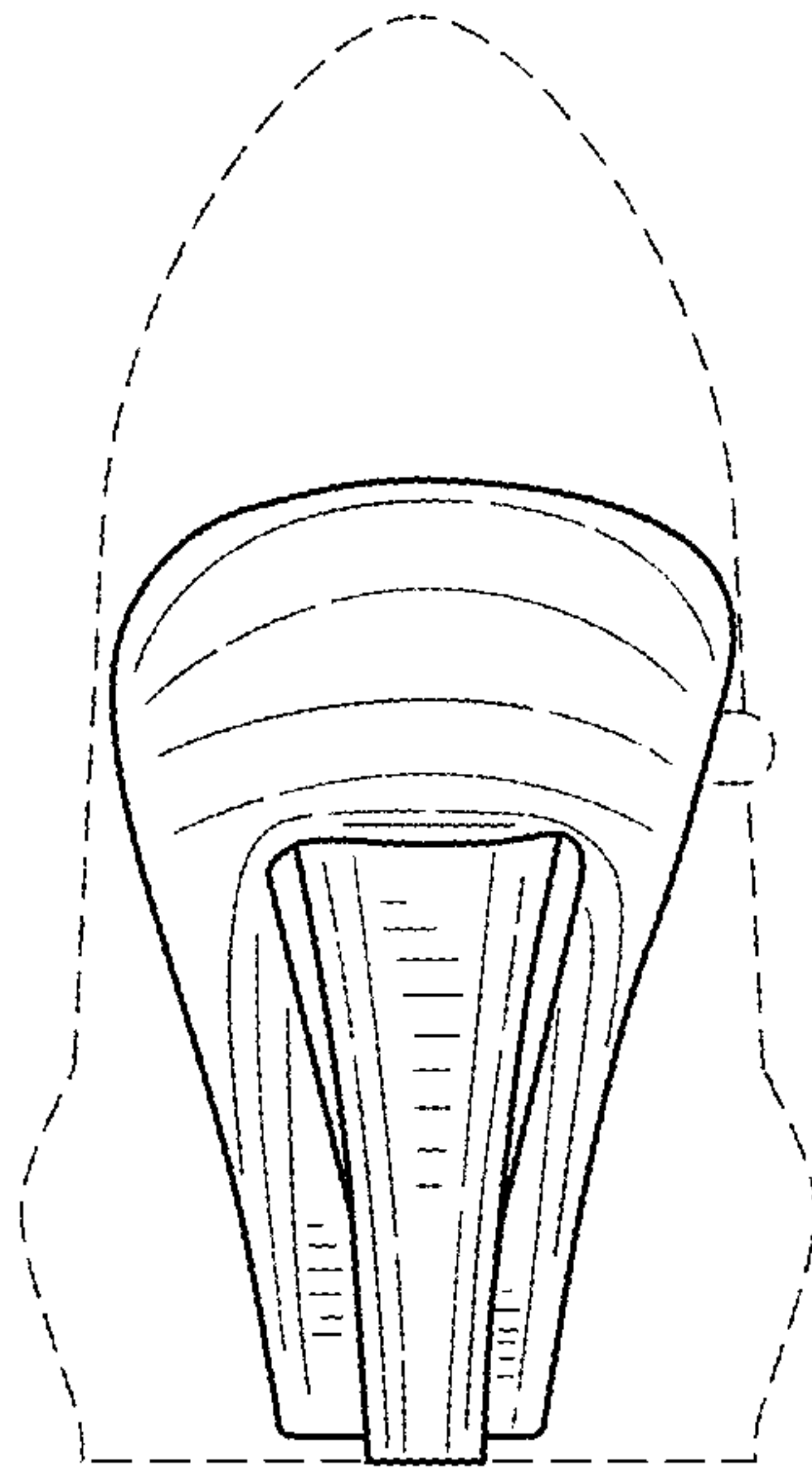


FIG.6

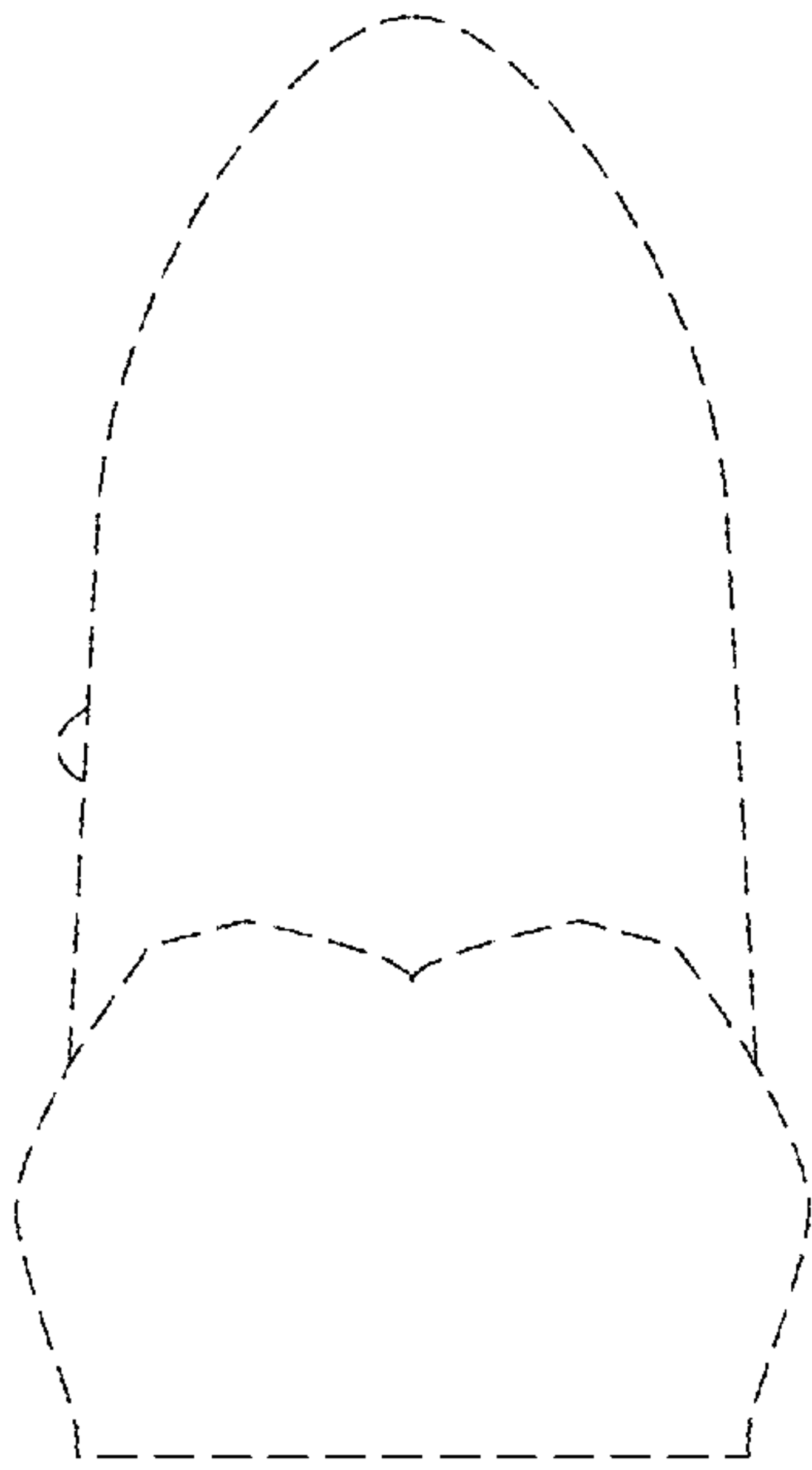


FIG.7

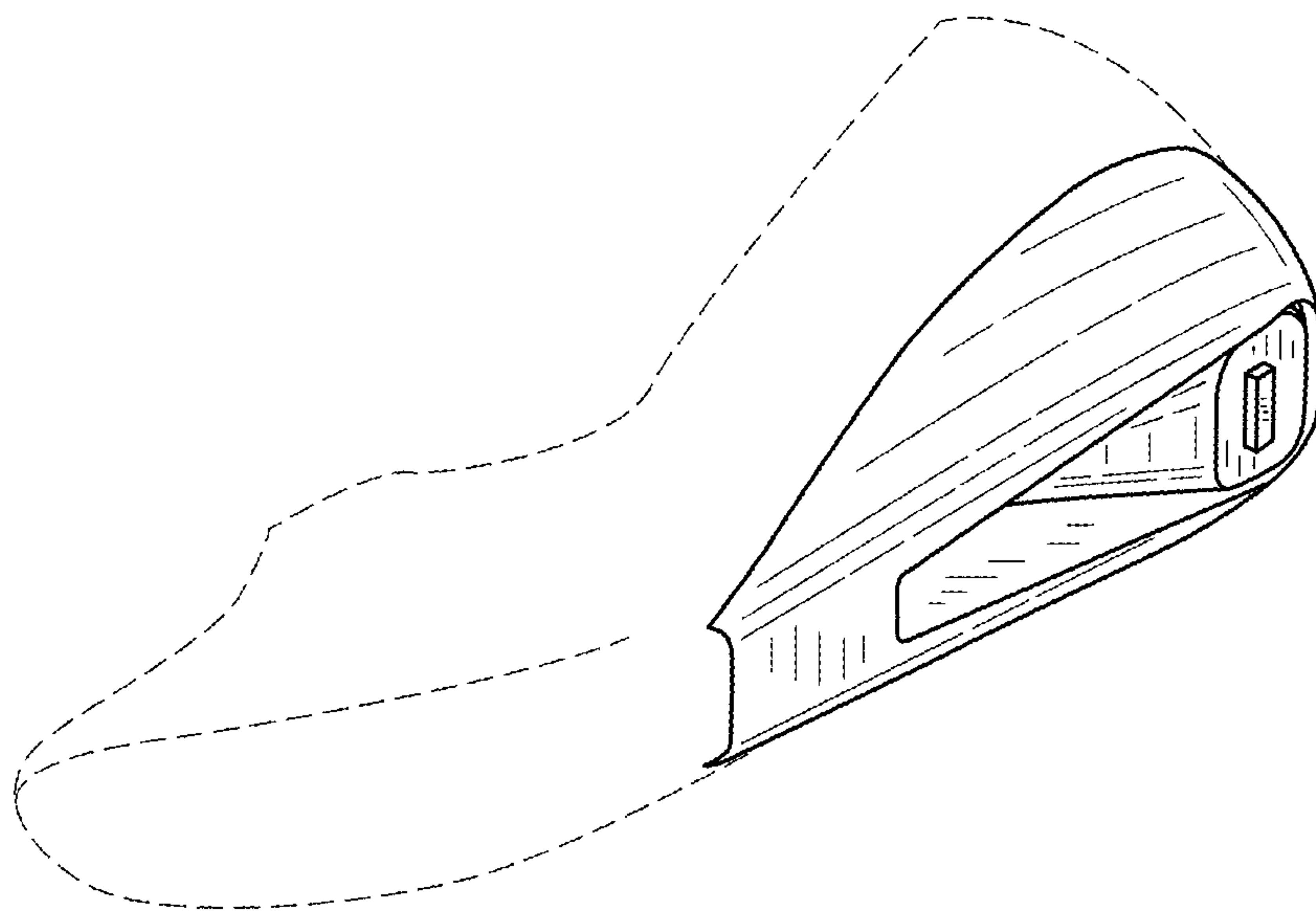


FIG.8

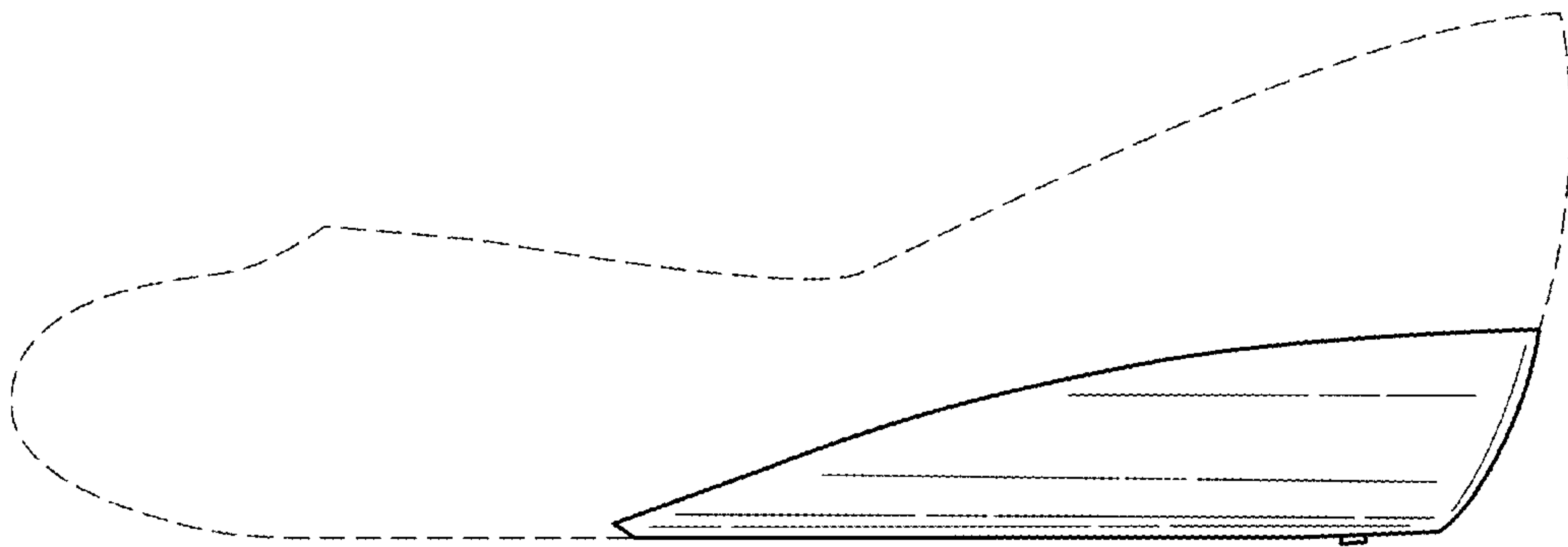


FIG. 9

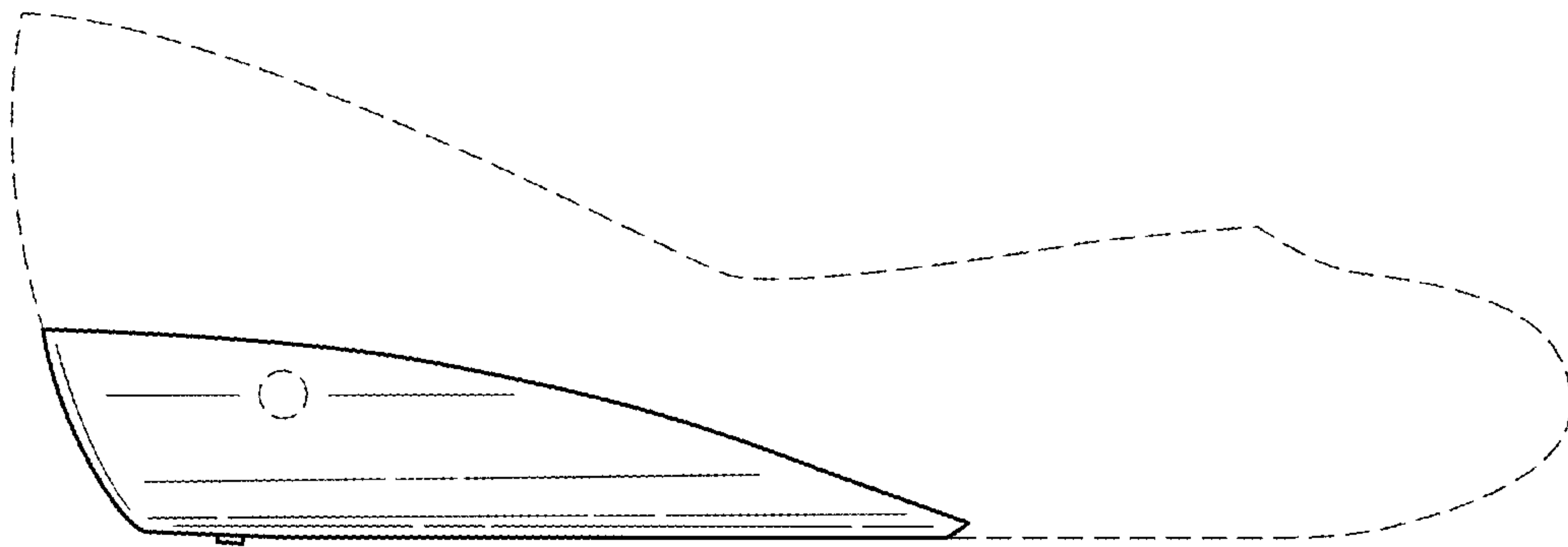


FIG.10

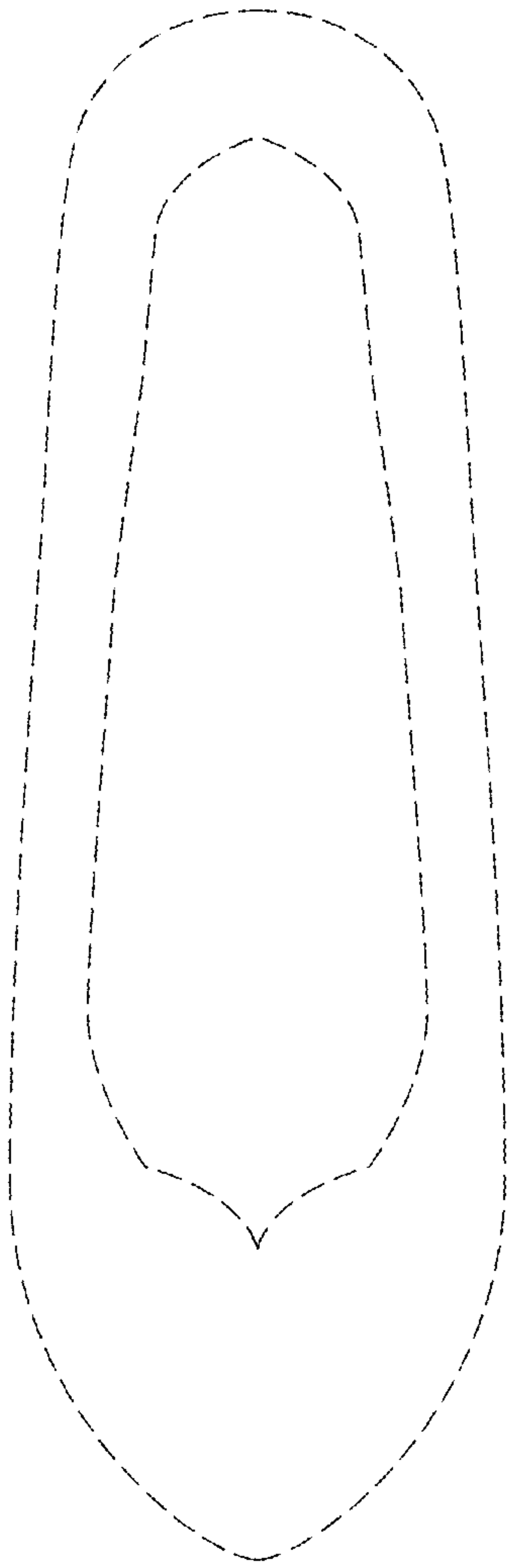


FIG. 11

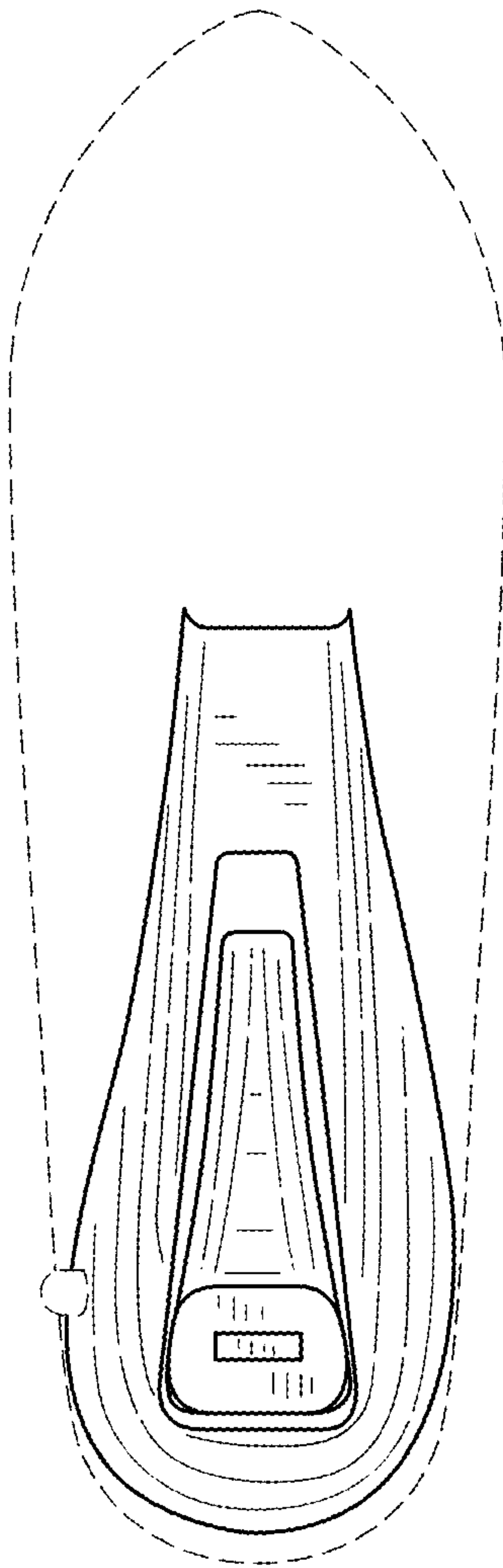


FIG.12

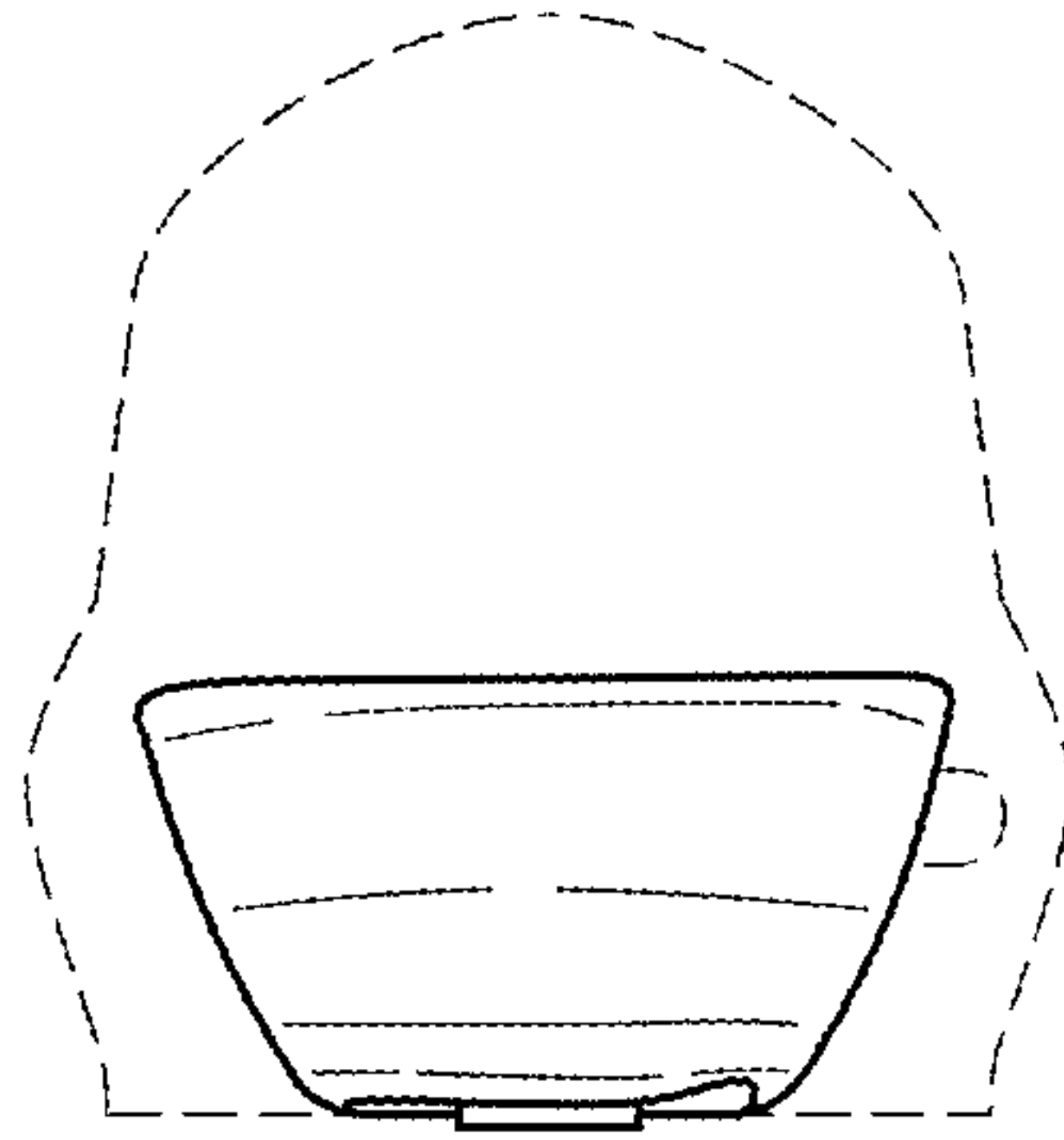


FIG.13

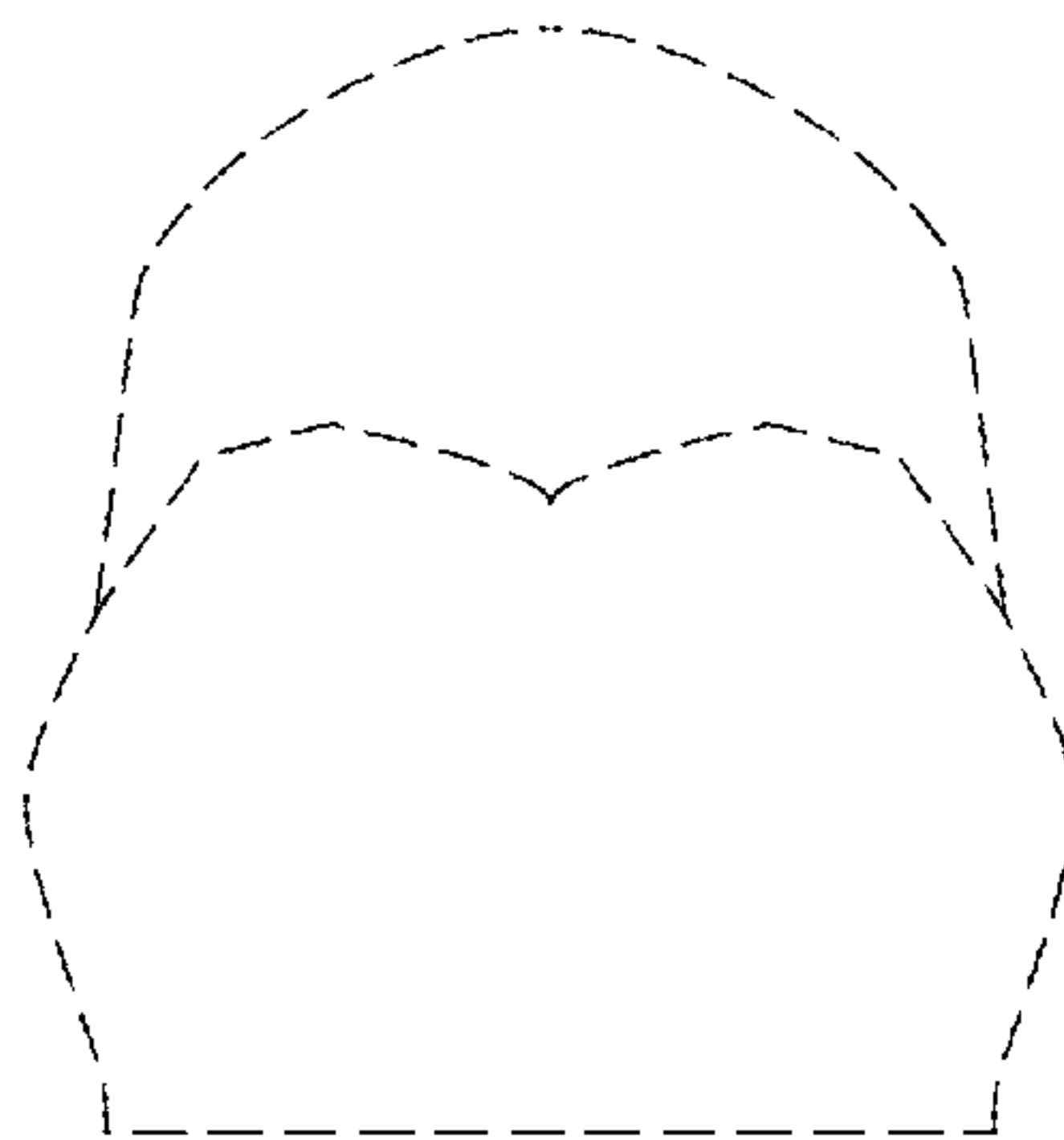


FIG.14