

US00D893128S

(12) **United States Design Patent** (10) **Patent No.:** **US D893,128 S**
Mena (45) **Date of Patent:** **** Aug. 18, 2020**

(54) **NECKTIE**
(71) Applicant: **Michael Jordan Mena**, Waltham, MA (US)
(72) Inventor: **Michael Jordan Mena**, Waltham, MA (US)
(**) Term: **15 Years**
(21) Appl. No.: **29/679,686**
(22) Filed: **Feb. 8, 2019**
(51) **LOC (12) Cl.** **02-05**
(52) **U.S. Cl.**
USPC **D2/605**
(58) **Field of Classification Search**
USPC D2/500, 502, 600, 602, 604, 605, 608, D2/627, 629
CPC A41D 23/00; A41D 25/00; A41D 25/001; A41D 25/06
See application file for complete search history.

(56) **References Cited**
U.S. PATENT DOCUMENTS
D43,572 S 2/1913 Kellner et al.
D44,370 S 7/1913 Kellner et al.
1,129,138 A * 2/1915 Sullivan A41D 25/001
2/146
D54,953 S 4/1920 Niederer
1,628,700 A * 5/1927 Waters A41D 25/16
2/146
D109,251 S 1/1938 Melville
2,413,318 A * 12/1946 Golfieri A41D 25/00
2/207
D162,529 S 3/1951 Moleyns
D166,054 S * 2/1952 Tarmon D2/605
D177,001 S 3/1956 Bachrach
2,800,661 A * 7/1957 Bergheim A41D 25/001
2/146

2,821,717 A 2/1958 Sickerott et al.
D183,458 S * 9/1958 Klaus D2/605
D185,784 S * 8/1959 Klaus D2/605
D198,254 S 5/1964 Grielen
3,154,791 A 11/1964 Serrano et al.
D267,596 S 1/1983 Long
D287,541 S 1/1987 Mezer
D480,532 S 10/2003 Bryant, II et al.
D480,534 S 10/2003 Bryant, II et al.
D621,583 S 8/2010 Glennie
D636,146 S * 4/2011 Glennie D2/605
D662,686 S * 7/2012 Glennie D2/605
D692,637 S 11/2013 Glennie
D693,538 S 11/2013 Katz
D694,991 S * 12/2013 Glennie D2/605
D747,842 S * 1/2016 Bressler D2/605
D775,777 S 1/2017 Peral
D865,320 S * 11/2019 Willows D2/629

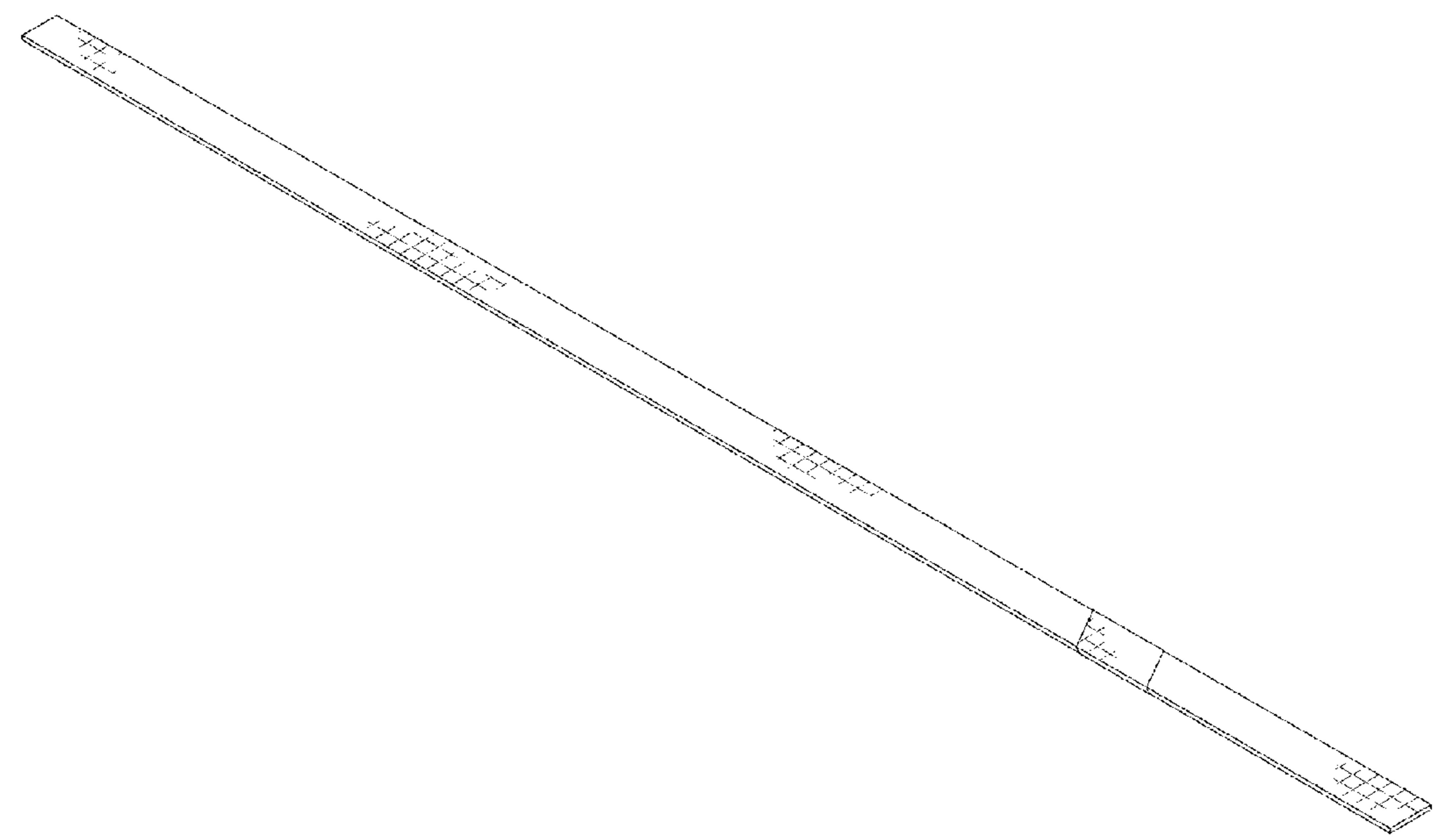
(Continued)

Primary Examiner — Jasmine Mlinarcik
(74) *Attorney, Agent, or Firm* — Dunlap, Bennett & Ludwig, PLLC

(57) **CLAIM**
The ornamental design for a necktie, as shown and described.

DESCRIPTION
FIG. 1 is a top front perspective view of a necktie;
FIG. 2 is a front elevation view thereof;
FIG. 3 is a rear elevation view thereof;
FIG. 4 is a right elevation view thereof;
FIG. 5 is a left elevation view thereof;
FIG. 6 is a top elevation view thereof;
FIG. 7 is a bottom elevation view thereof; and,
FIG. 8 is a top front perspective view thereof, shown in use.
The partial human figure outlined by broken lines in FIG. 8 assists to illustrate how the necktie may appear when worn and forms no part of the claimed design.

1 Claim, 4 Drawing Sheets



(56)

References Cited

U.S. PATENT DOCUMENTS

2010/0050318 A1* 3/2010 Johnston A41D 25/06
2/148

* cited by examiner

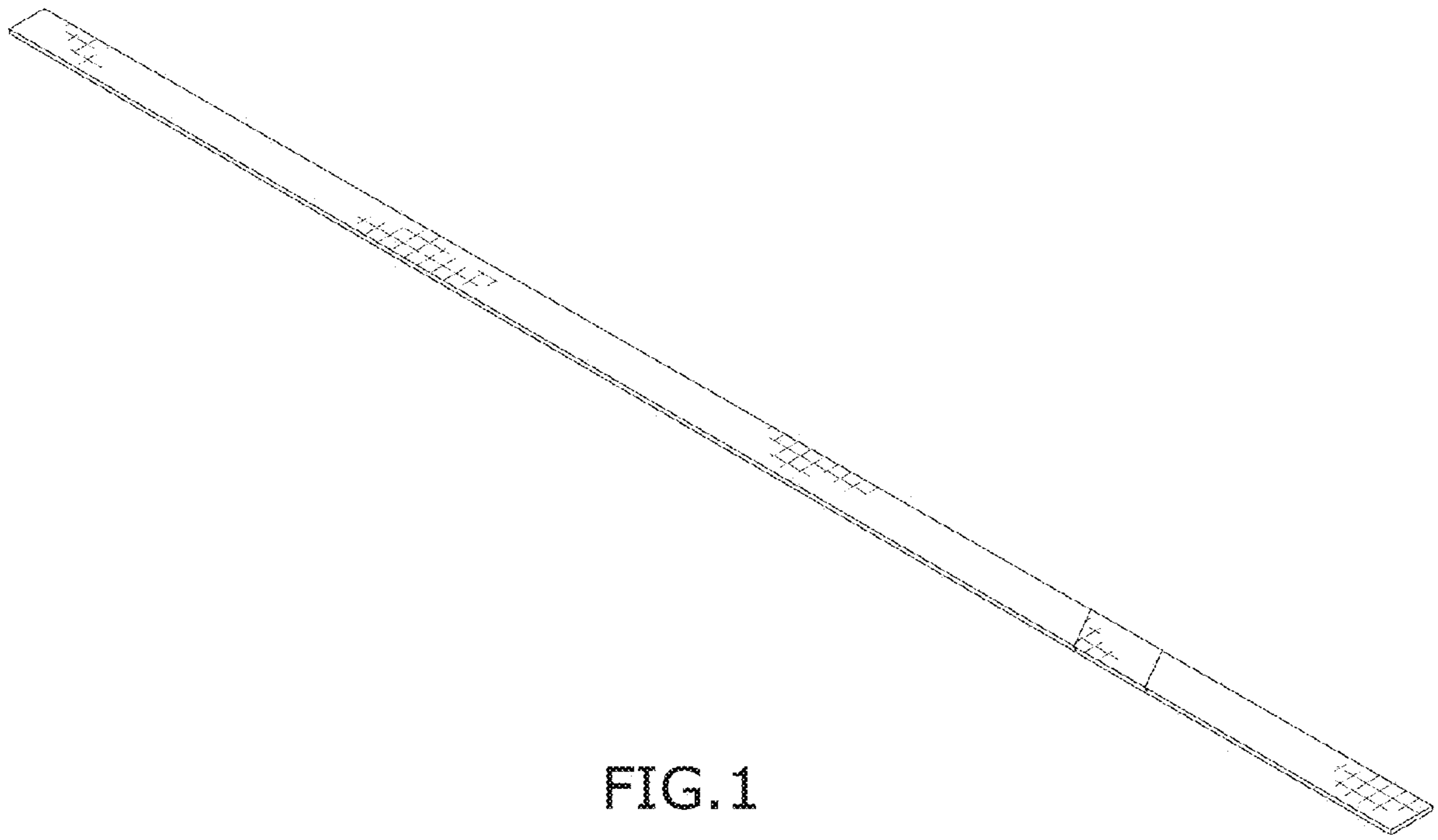


FIG.1



FIG. 2



FIG. 3

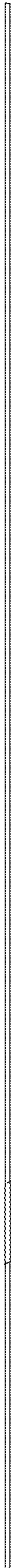


FIG. 4

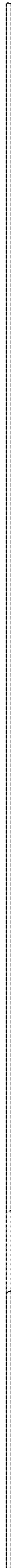


FIG. 5

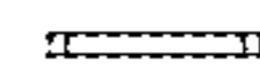


FIG. 6

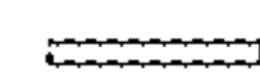


FIG. 7

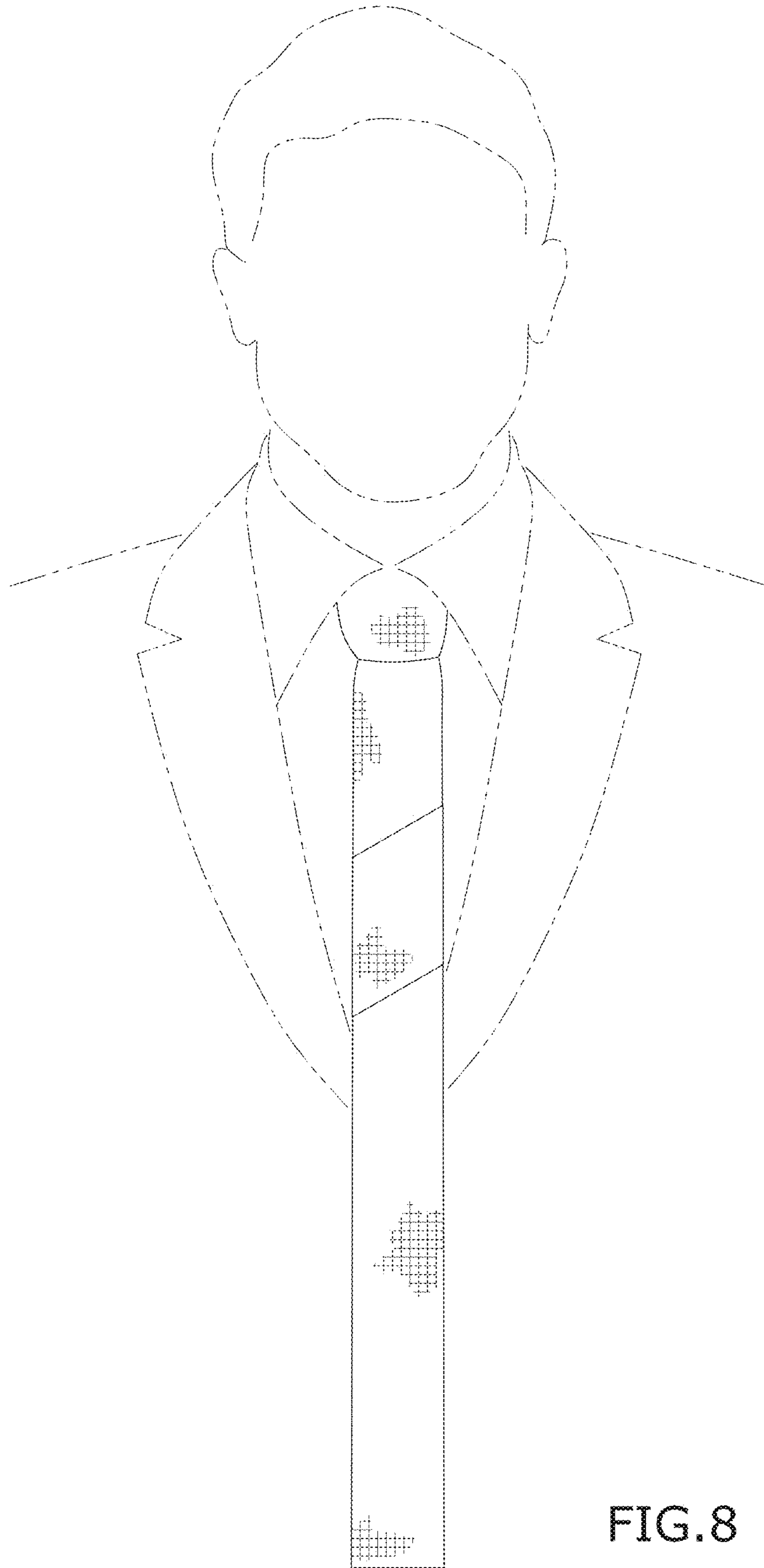


FIG.8