



US00D893123S

(12) **United States Design Patent** (10) **Patent No.:** **US D893,123 S**  
**Yu** (45) **Date of Patent:** **\*\* Aug. 11, 2020**

(54) **SAFE**  
(71) Applicant: **Lu Yu**, Guangdong (CN)  
(72) Inventor: **Lu Yu**, Guangdong (CN)  
(\*\*) Term: **15 Years**  
(21) Appl. No.: **29/678,194**  
(22) Filed: **Jan. 25, 2019**  
(51) **LOC (12) Cl.** ..... **99-00**  
(52) **U.S. Cl.**  
USPC ..... **D99/28**  
(58) **Field of Classification Search**  
USPC .... D99/28, 34, 35, 36, 43, 99; D3/900, 901,  
D3/902, 903, 905; D18/3.1, 3.3, 12.1  
CPC ..... A45C 1/12; A45C 2001/125; A45C  
2001/102; A45C 2001/104; A45C  
2001/006; A45C 2001/003; A45C  
2001/105; A45C 2001/107; E05G 1/00;  
E05G 1/005; E05G 1/024; E05G 1/026;  
E05G 5/00; E05G 7/00; E05G 7/001;  
E05G 2700/00; E05G 2700/02; B63C  
7/30; G07D 9/00; G07D 9/002; G07D  
9/004; G07D 9/006; G07D 9/008; G07D  
9/02; G07D 9/04; G07D 9/06; G07D  
9/065; G07D 11/00; G07D 11/0021;  
G07D 13/00; G07D 2201/00; G07D  
2211/00; G07F 9/06; G07F 9/08  
See application file for complete search history.

(56) **References Cited**  
U.S. PATENT DOCUMENTS  
D273,908 S \* 5/1984 Hoogeveen ..... D99/28  
D357,117 S \* 4/1995 Huang ..... D3/276  
D399,632 S \* 10/1998 Davis ..... D99/28  
D461,617 S \* 8/2002 Gardner ..... D99/28

D474,596 S \* 5/2003 Osiecki ..... D3/273  
6,752,092 B2 \* 6/2004 Beattie ..... E05G 1/005  
109/73  
D541,045 S \* 4/2007 Peart ..... D3/291  
D542,529 S \* 5/2007 Peart ..... D3/276  
D558,977 S \* 1/2008 Peart ..... D3/294  
D561,994 S \* 2/2008 Peart ..... D3/291  
D571,524 S \* 6/2008 Kang ..... D99/28  
D616,200 S \* 5/2010 Riedel ..... D3/281  
D624,275 S \* 9/2010 Min ..... D99/28  
D635,324 S \* 3/2011 Plato ..... D99/28  
D677,855 S \* 3/2013 Eick ..... D99/35  
D732,264 S \* 6/2015 Hine ..... D99/28  
D732,265 S \* 6/2015 Osiecki ..... D99/28  
D748,889 S \* 2/2016 Ng ..... D99/28  
D749,846 S \* 2/2016 Koeniger ..... D3/294  
D772,522 S \* 11/2016 Henderson ..... D99/28  
D800,989 S \* 10/2017 Lucido ..... D99/28  
D803,508 S \* 11/2017 Horn ..... D99/28  
D817,589 S \* 5/2018 Culbreth ..... D99/28  
D860,579 S \* 9/2019 McCabe ..... D99/28  
D866,913 S \* 11/2019 Xu ..... D99/28  
2004/0045329 A1 \* 3/2004 Farnham ..... E05B 73/0005  
70/63

(Continued)

Primary Examiner — Elizabeth J Oswecki

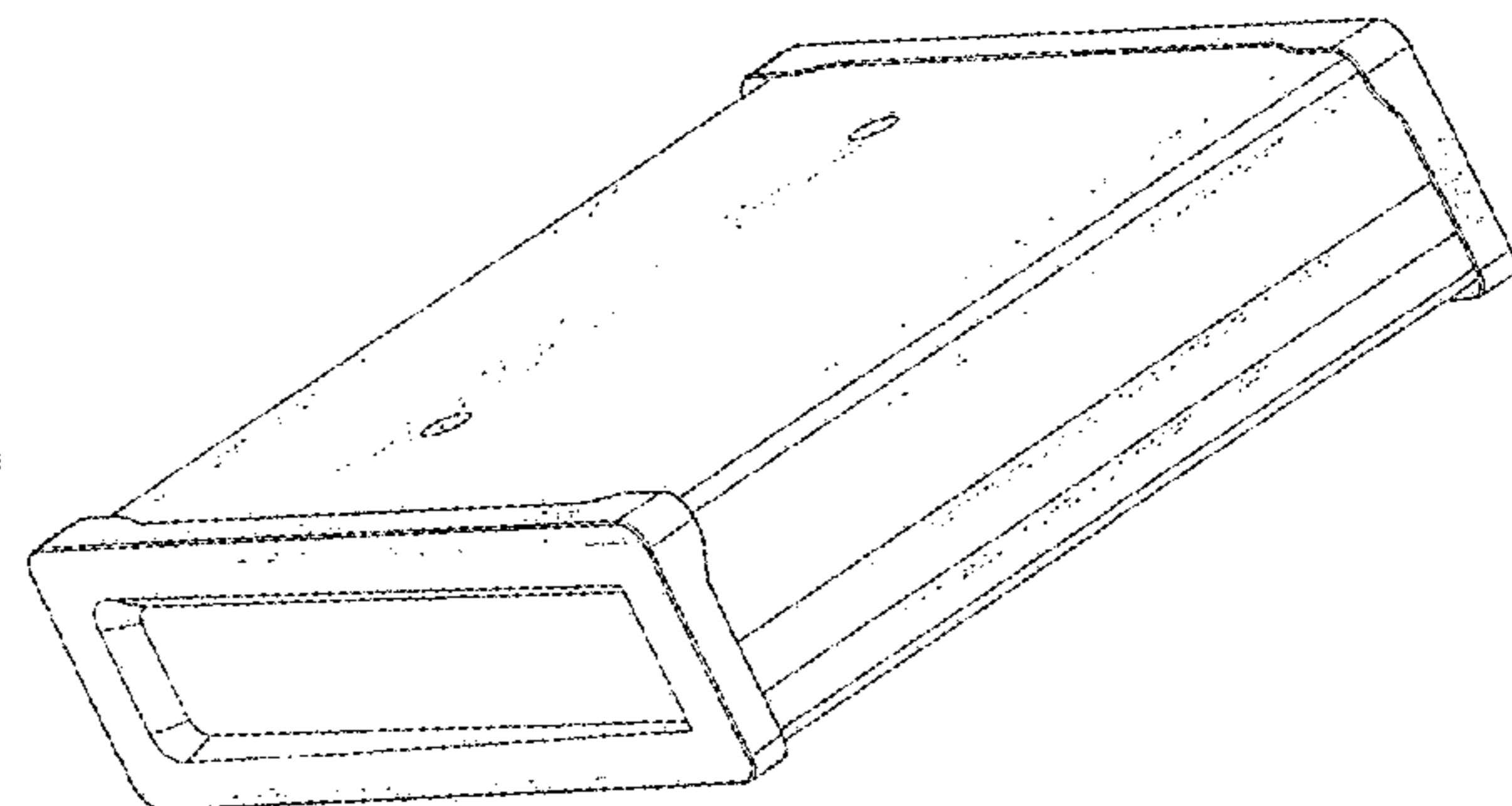
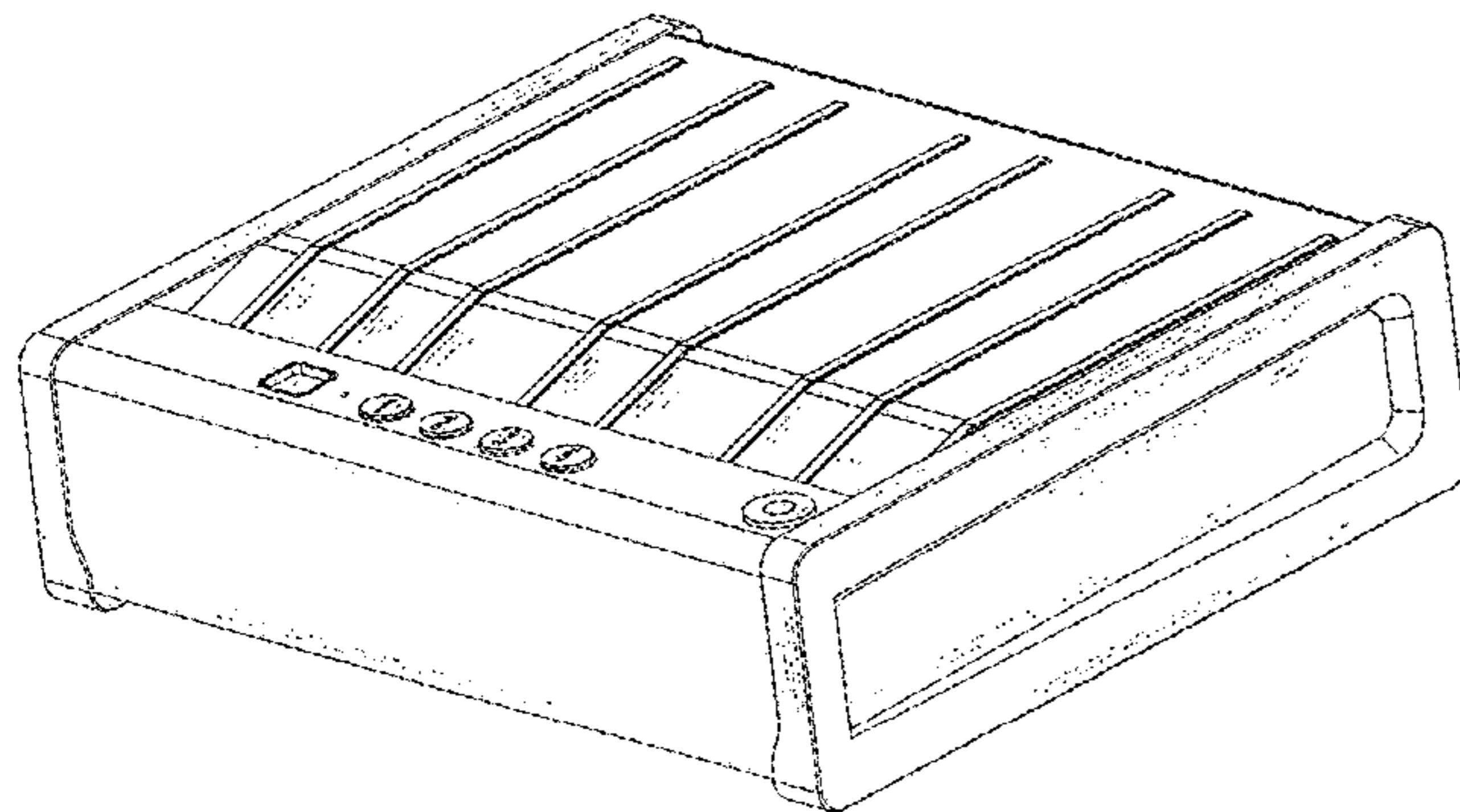
(57) **CLAIM**

The ornamental design for a safe, as shown and described.

**DESCRIPTION**

FIG. 1 is a front, right side and bottom perspective view of a safe, showing my new design.  
FIG. 2 is a rear, left side and top perspective view thereof;  
FIG. 3 is a front elevation view thereof;  
FIG. 4 is a rear elevation view thereof;  
FIG. 5 is a left side elevation view thereof;  
FIG. 6 is a right side elevation view thereof;  
FIG. 7 is a top plan view thereof; and,  
FIG. 8 is a bottom plan view thereof.

**1 Claim, 8 Drawing Sheets**



(56)

**References Cited**

U.S. PATENT DOCUMENTS

2006/0108252 A1\* 5/2006 Lax ..... A45C 11/00  
206/470  
2012/0298018 A1\* 11/2012 McCabe ..... A45C 13/20  
109/51

\* cited by examiner

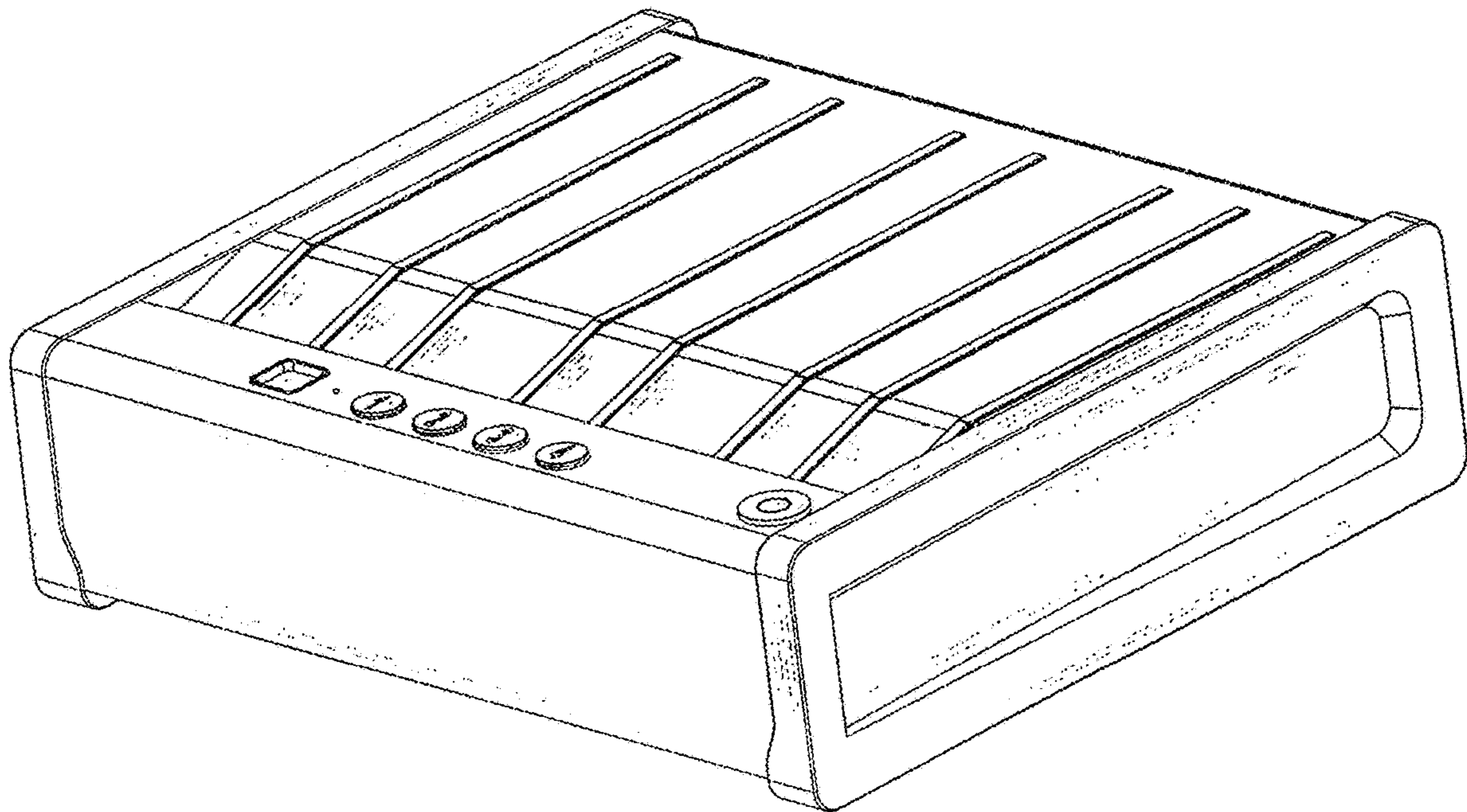


FIG.1

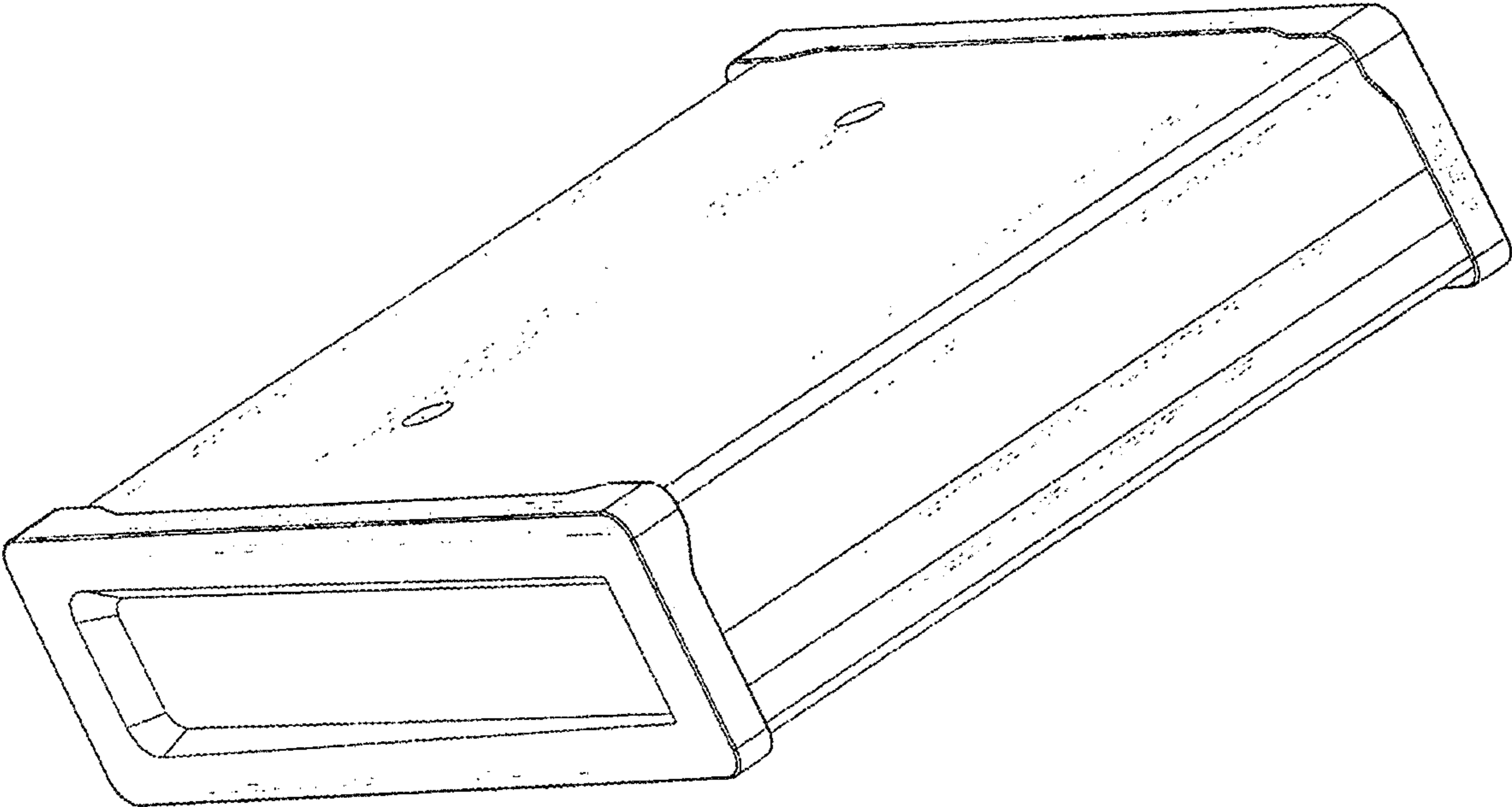


FIG.2

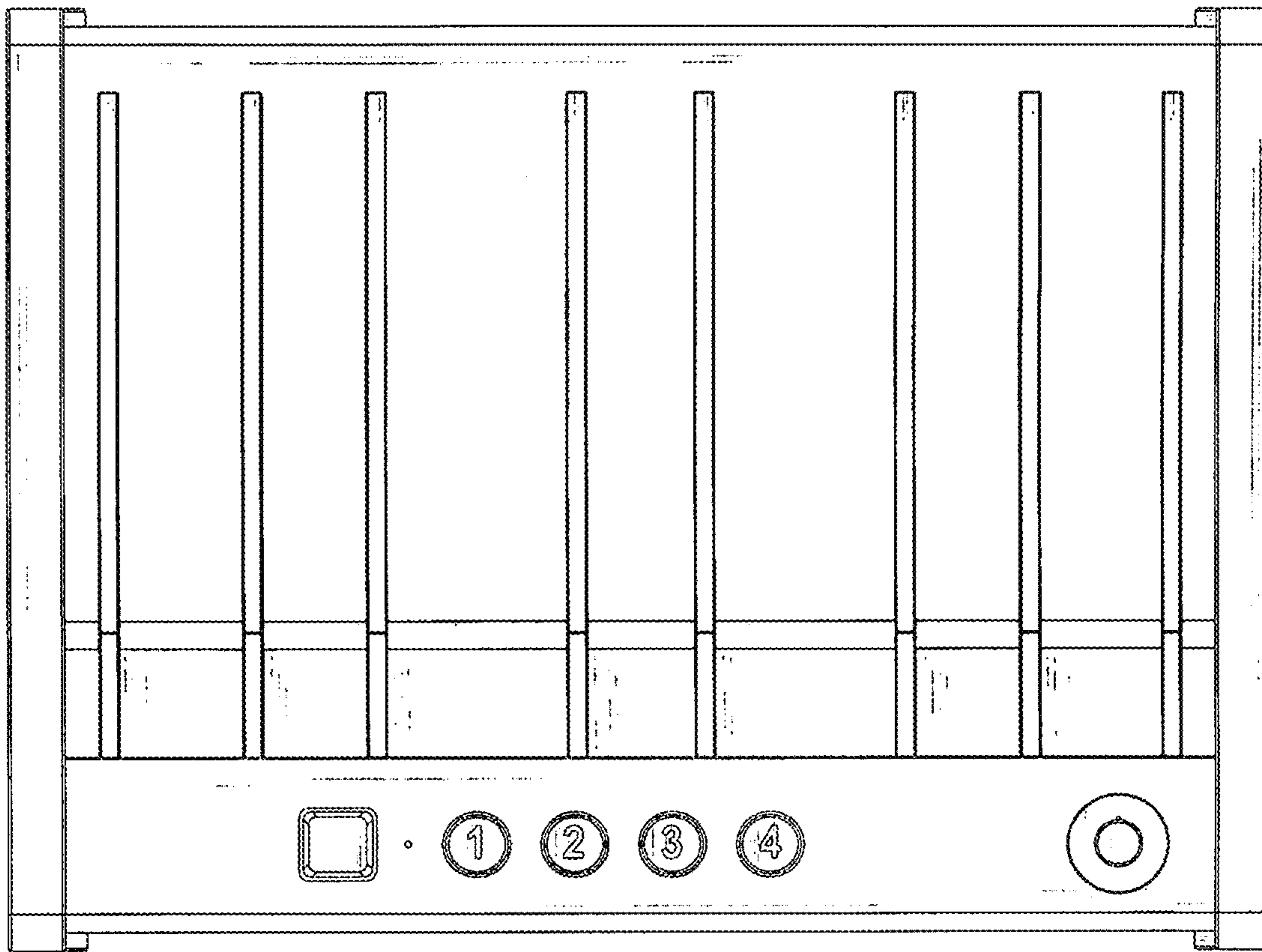


FIG.3

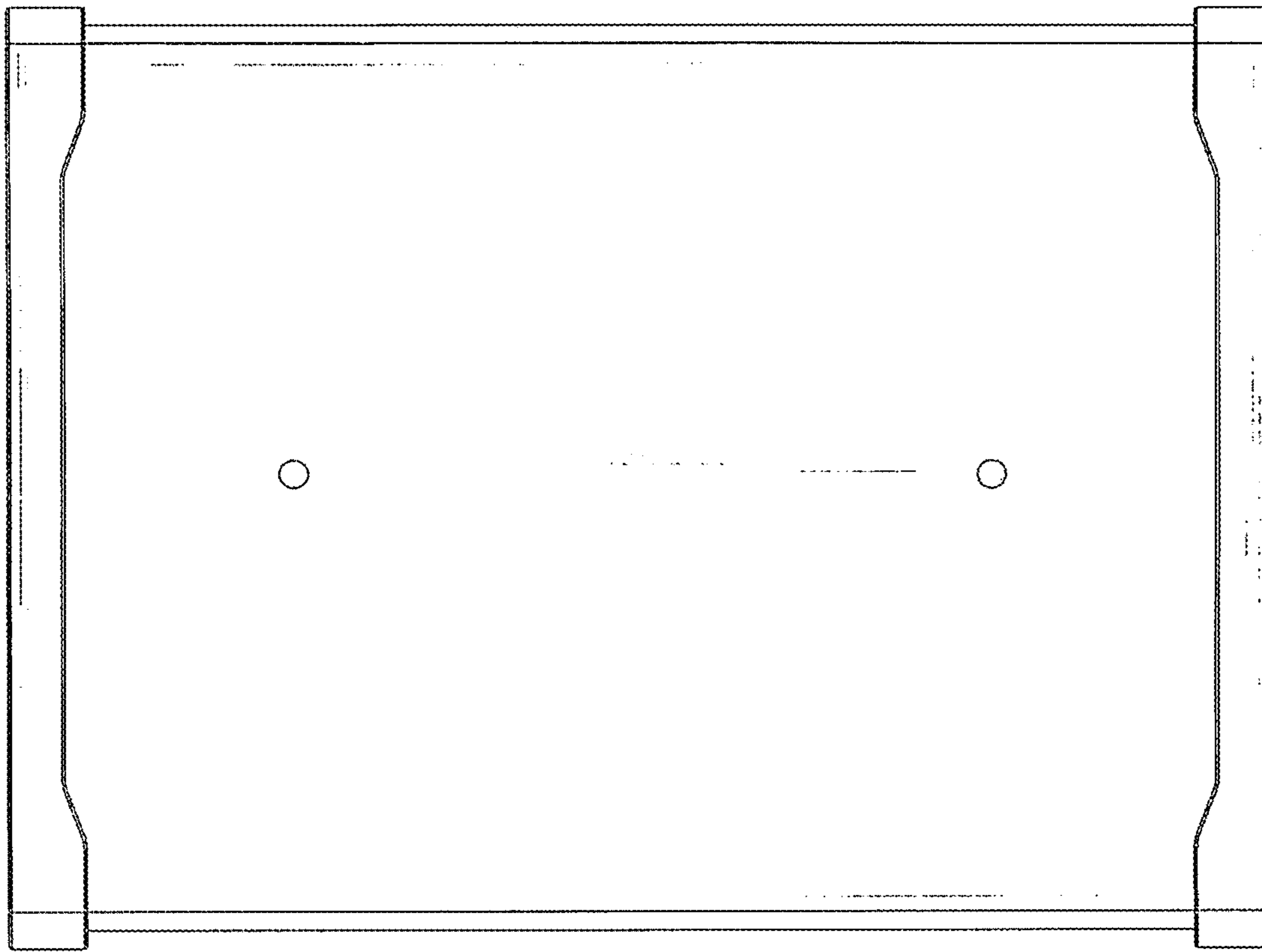


FIG.4

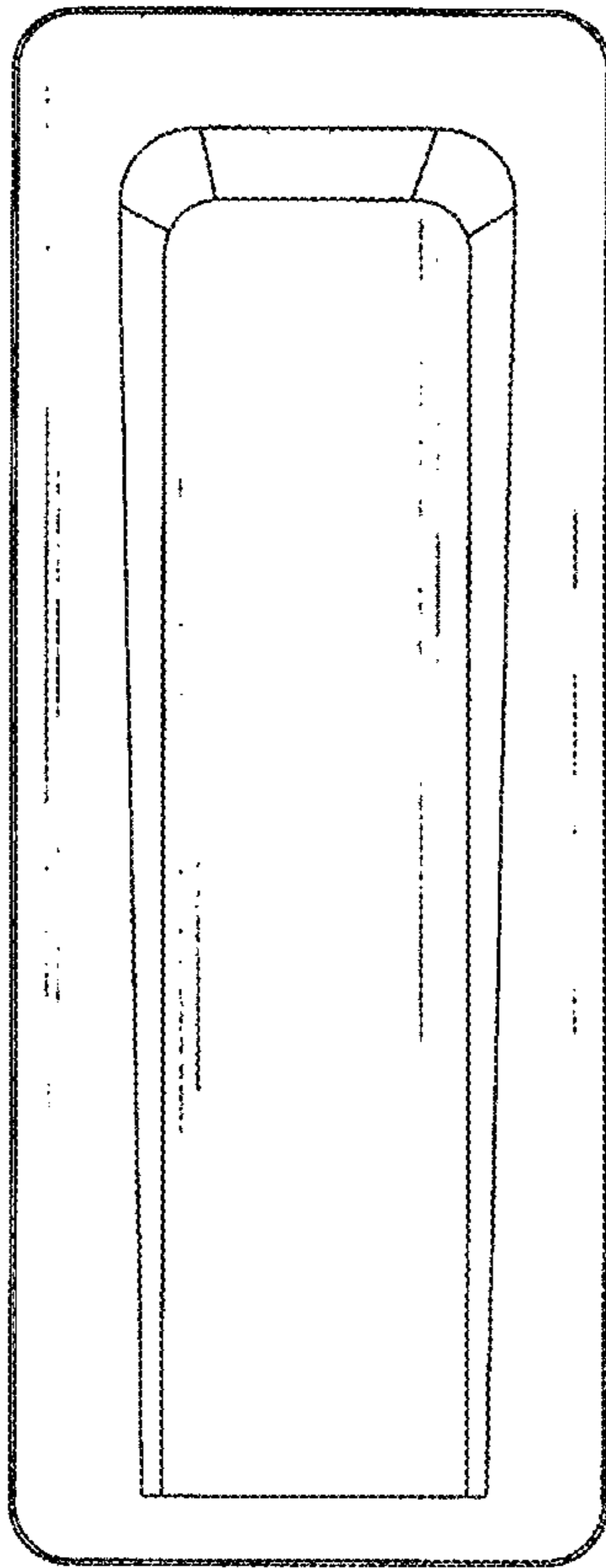


FIG.5

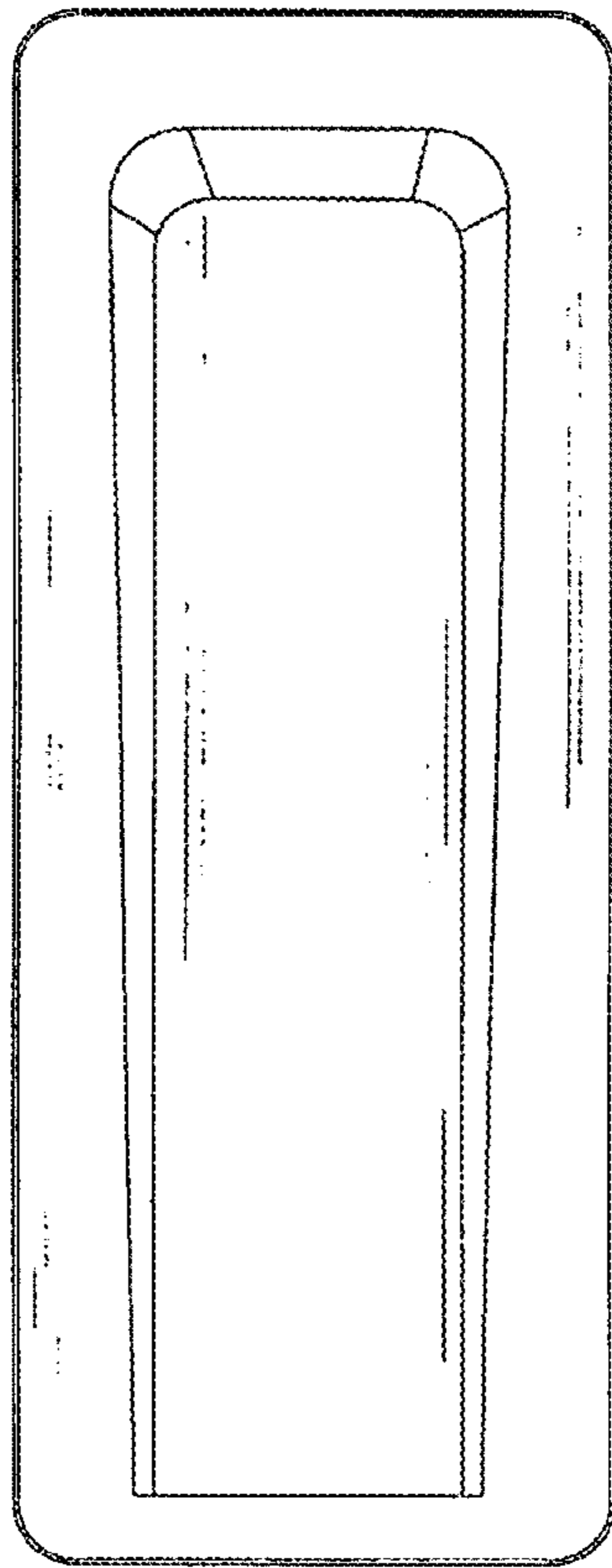


FIG.6



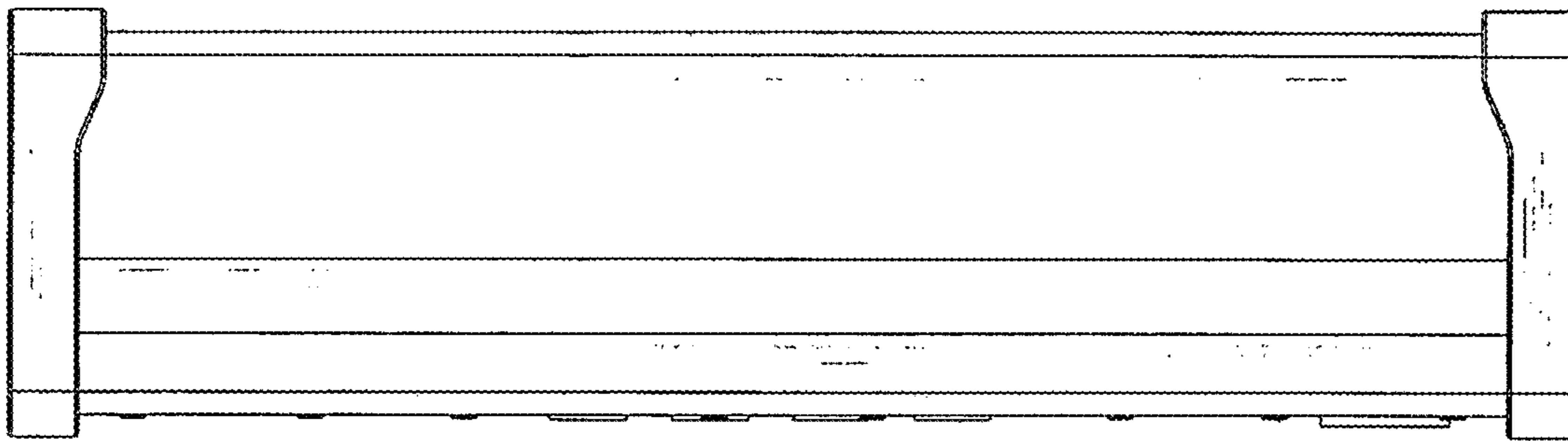


FIG. 7

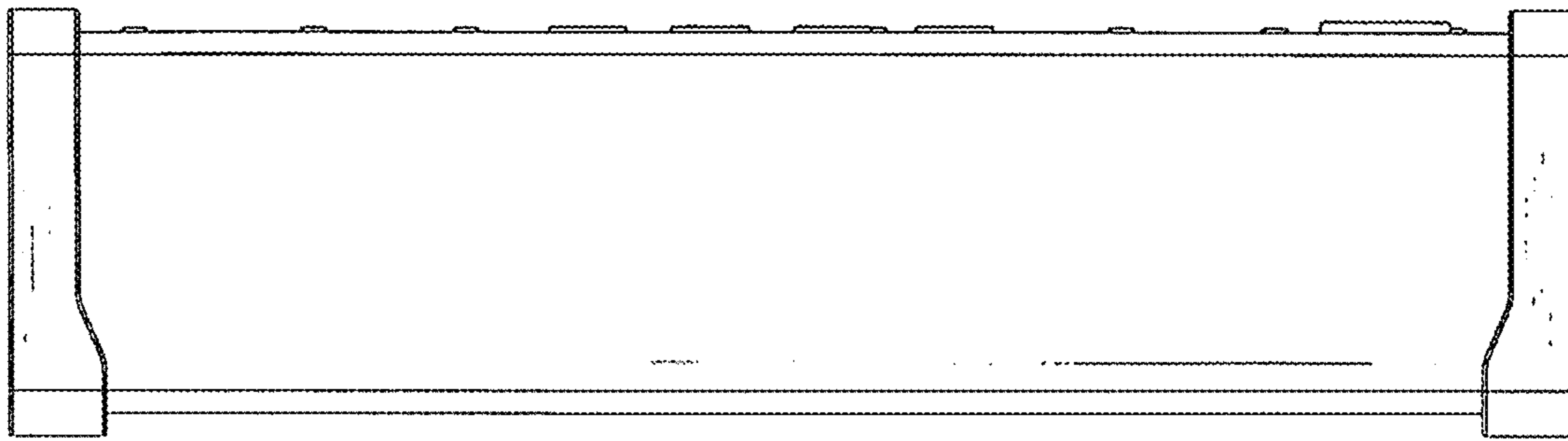


FIG. 8