



US00D893122S

(12) **United States Design Patent** (10) **Patent No.:** **US D893,122 S**
Saeger et al. (45) **Date of Patent:** **** Aug. 11, 2020**

(54) **WINCH HOOK**

(71) Applicant: **Harbor Freight Tools USA, Inc.**,
Calabasas, CA (US)

(72) Inventors: **Lawrence Scott Saeger**, Huntington
Beach, CA (US); **Michael Thomas
Matteo**, North Hollywood, CA (US);
David Allan Bradley, Burbank, CA
(US)

(73) Assignee: **Harbor Freight Tools USA, INC.**,
Calabasas, CA (US)

(**) Term: **15 Years**

(21) Appl. No.: **29/674,913**

(22) Filed: **Dec. 27, 2018**

(51) **LOC (12) Cl.** **12-05**

(52) **U.S. Cl.**
USPC **D34/35; 34/356**

(58) **Field of Classification Search**
USPC D34/26, 27, 28, 29, 30, 31, 32, 33, 34,
D34/35, 36, 37, 38, 39; D8/367, 368,
D8/369, 382, 383, 354, 356, 389, 394,
D8/395

CPC .. F16B 45/02; F16B 1/02; F16B 45/00; A62B
35/0037; A62B 35/0075; Y10T 24/4534

See application file for complete search history.

(56) **References Cited**

U.S. PATENT DOCUMENTS

D259,540 S *	6/1981	Svensson	D8/367
D307,659 S *	5/1990	Kobayashi	D34/28
D407,301 S *	3/1999	Donalies	D34/35
D421,172 S *	2/2000	Mizutani	D34/33
D699,098 S *	2/2014	Fretz	D8/367
D707,529 S *	6/2014	Fretz	D8/330
D758,172 S *	6/2016	Hung	D8/367
D767,235 S *	9/2016	Mayer	D34/33
D801,156 S *	10/2017	Hung	D8/367

D837,635 S *	1/2019	Petzl	D8/356
D841,115 S *	2/2019	Ishihara	D22/135
D843,814 S *	3/2019	Cariano	D8/356
D859,962 S *	9/2019	Fretz	D8/356

(Continued)

FOREIGN PATENT DOCUMENTS

CN 305635107 * 6/2019

OTHER PUBLICATIONS

HF Winchhook, announced 2020 [online], [site visited May 14, 2020]. Available from internet, URL: <https://www.harborfreight.com/12000-lb-Forged-Alloy-Steel-Winch-Hook-56413.html> (Year: 2020).*

(Continued)

Primary Examiner — George A Bugg
Assistant Examiner — Tamara L Hahn

(74) *Attorney, Agent, or Firm* — McAndrews Held & Malloy, Ltd.

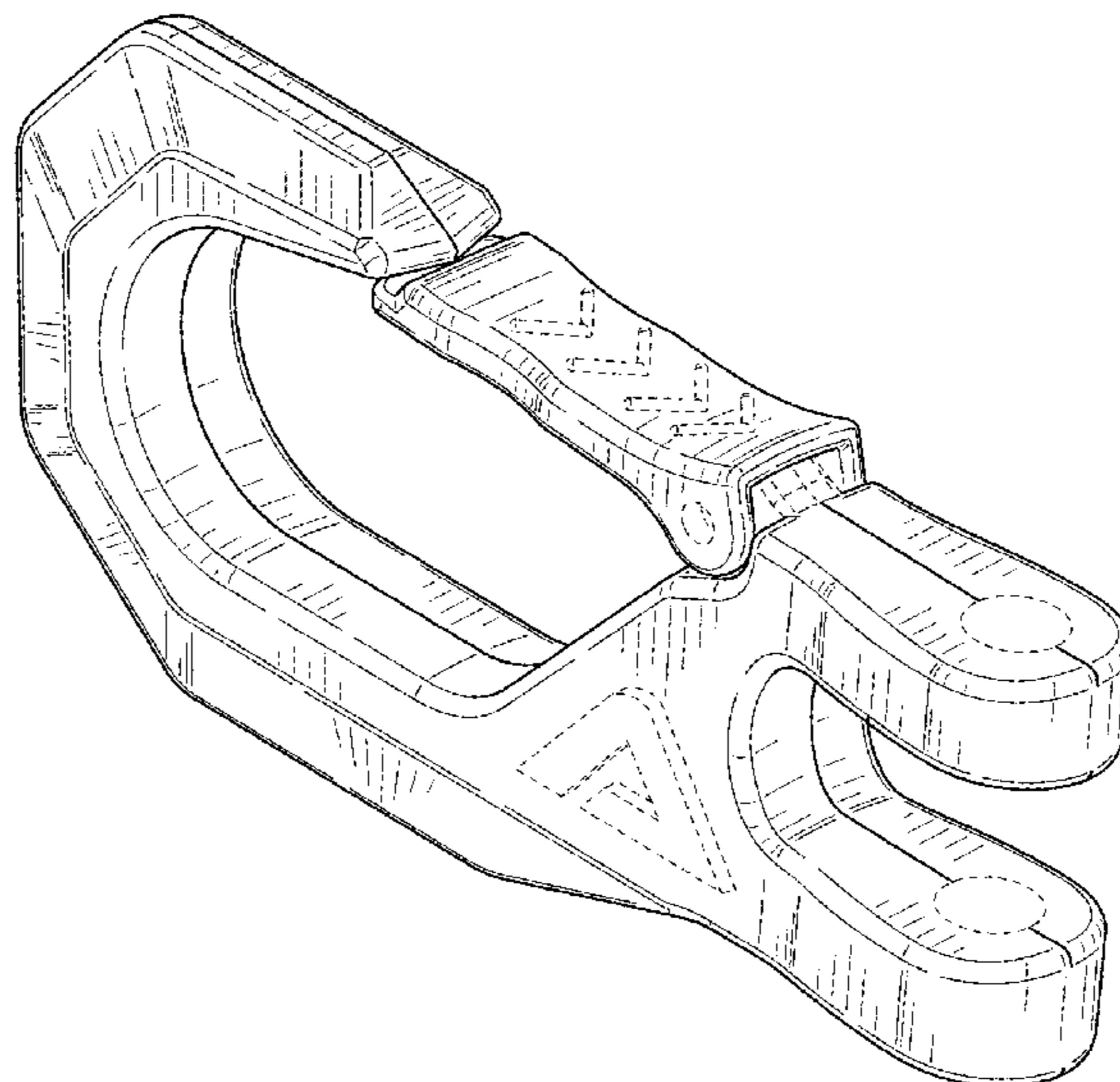
(57) **CLAIM**

The ornamental design for a winch hook, as shown and described.

DESCRIPTION

FIG. 1 is a top perspective view of a winch hook showing our new design;
FIG. 2 is a right side elevation view thereof;
FIG. 3 is a left side elevation thereof;
FIG. 4 is a rear elevation view thereof;
FIG. 5 is a front elevation view thereof;
FIG. 6 is a top plan view thereof;
FIG. 7 is a bottom plan view thereof; and,
FIG. 8 is a bottom perspective view thereof.
The dashed broken lines in the figures illustrate portions of the winch hook that form no part of the claimed design.

1 Claim, 4 Drawing Sheets



(56)

References Cited

U.S. PATENT DOCUMENTS

2011/0113602 A1* 5/2011 Chen F16B 45/02
24/599.5
2013/0160252 A1* 6/2013 Lin F16B 45/02
24/601.5
2013/0265709 A1* 10/2013 Huang G06F 21/88
361/679.32
2018/0142724 A1* 5/2018 Choate A62B 35/0075

OTHER PUBLICATIONS

Smittybilt, announced 2020 [online], [site visited May 14, 2020]. Available from internet, URL: https://www.amazon.com/Smittybilt-Delta-Hook-18000-99018/dp/B07B3QJG44/ref=sr_1_5?dchild=1&keywords=winch+hook&qid=1589490184&s=automotive&sr=1-5#customerReviews (Year: 2020).*

Warn, announced 2017 [online], [site visited May 14, 2020]. Available from internet, URL: <https://www.amazon.com/WARN-92090-Epic-Winch-Hook/dp/B00H4PFNMY> (Year: 2017).*

* cited by examiner

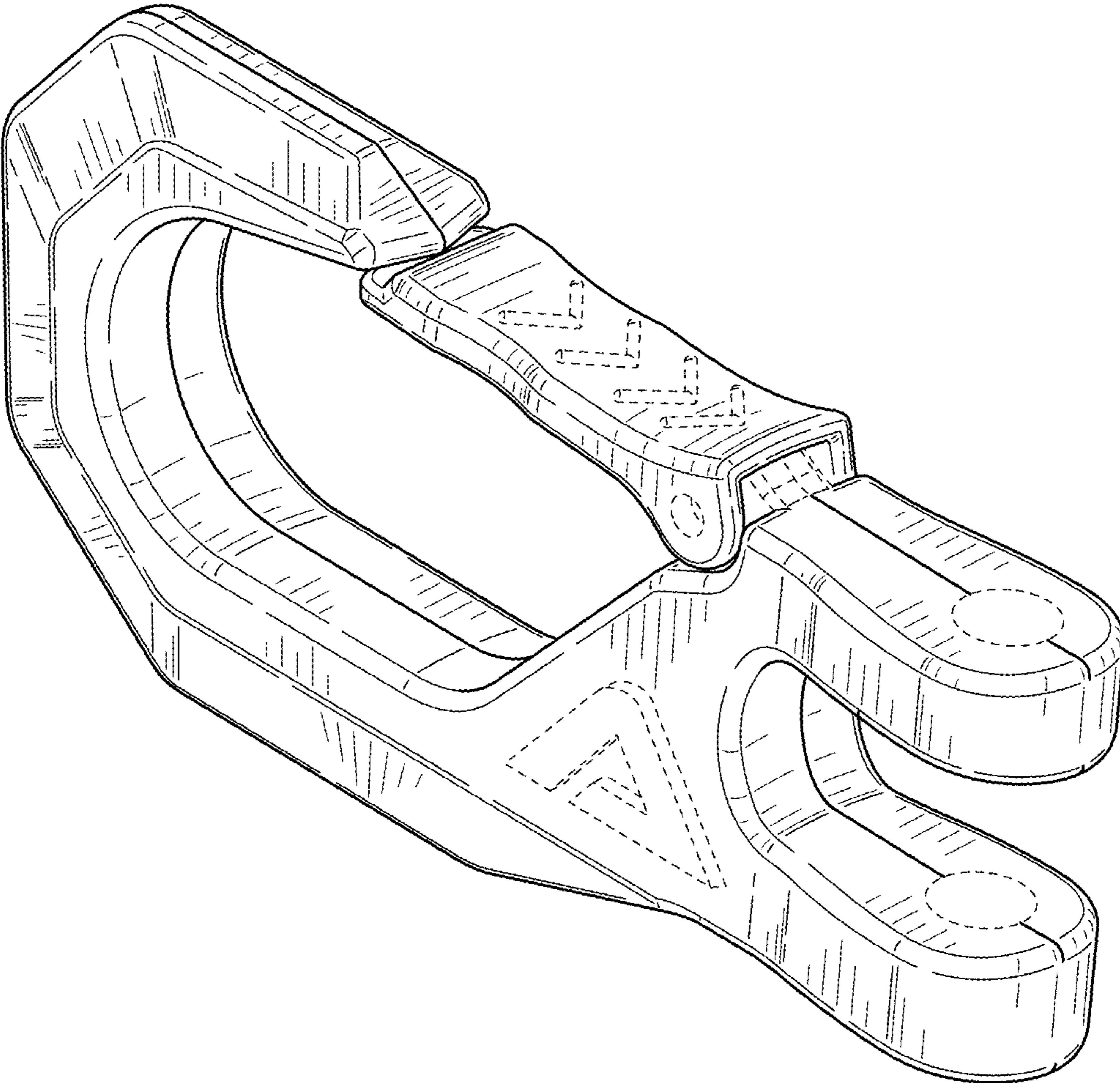


FIG. 1

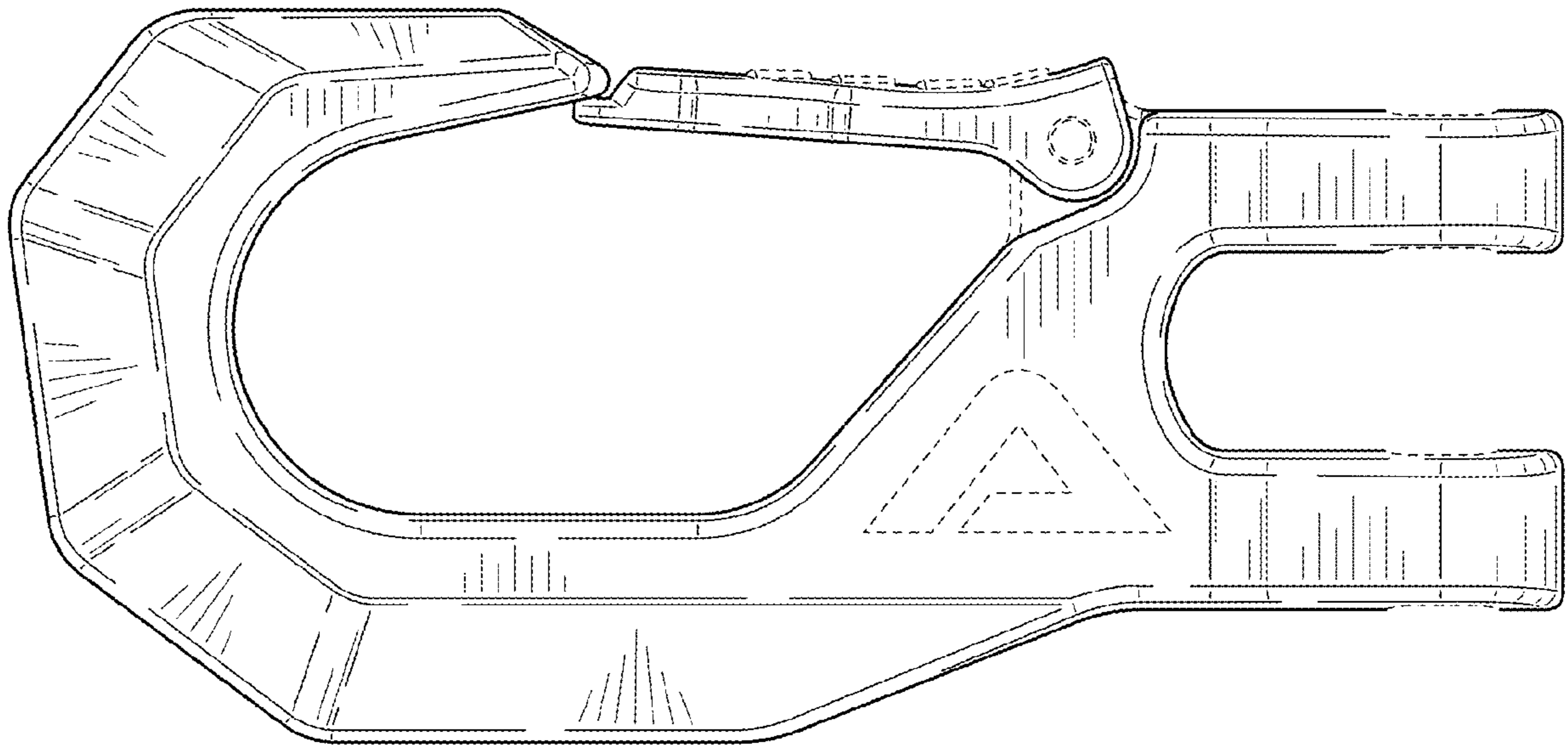


FIG. 2

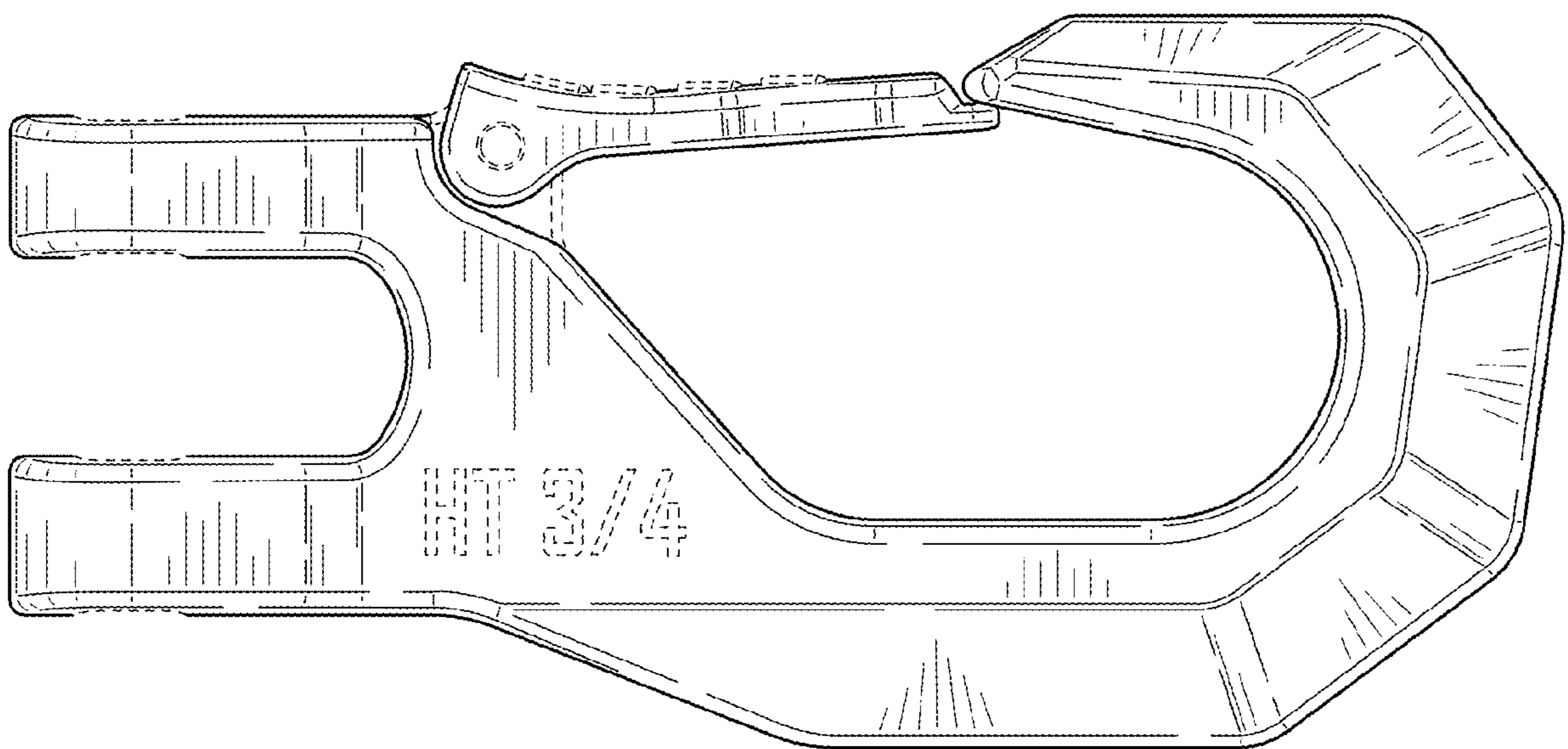


FIG. 3

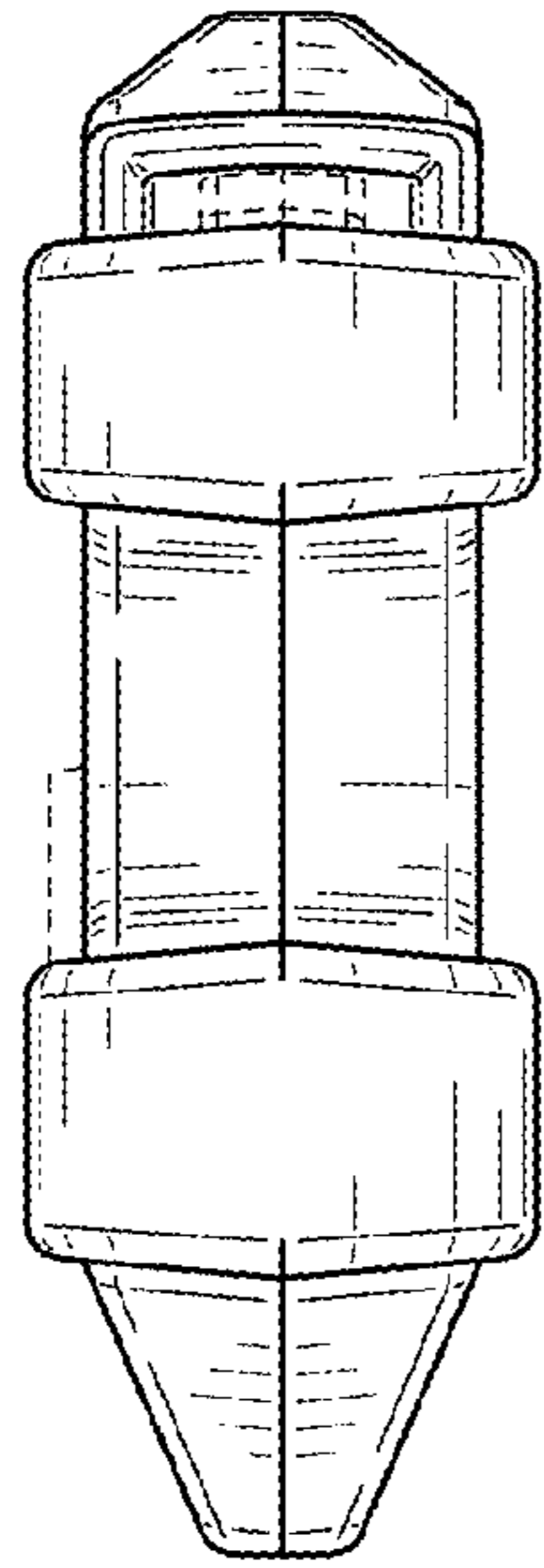


FIG. 4

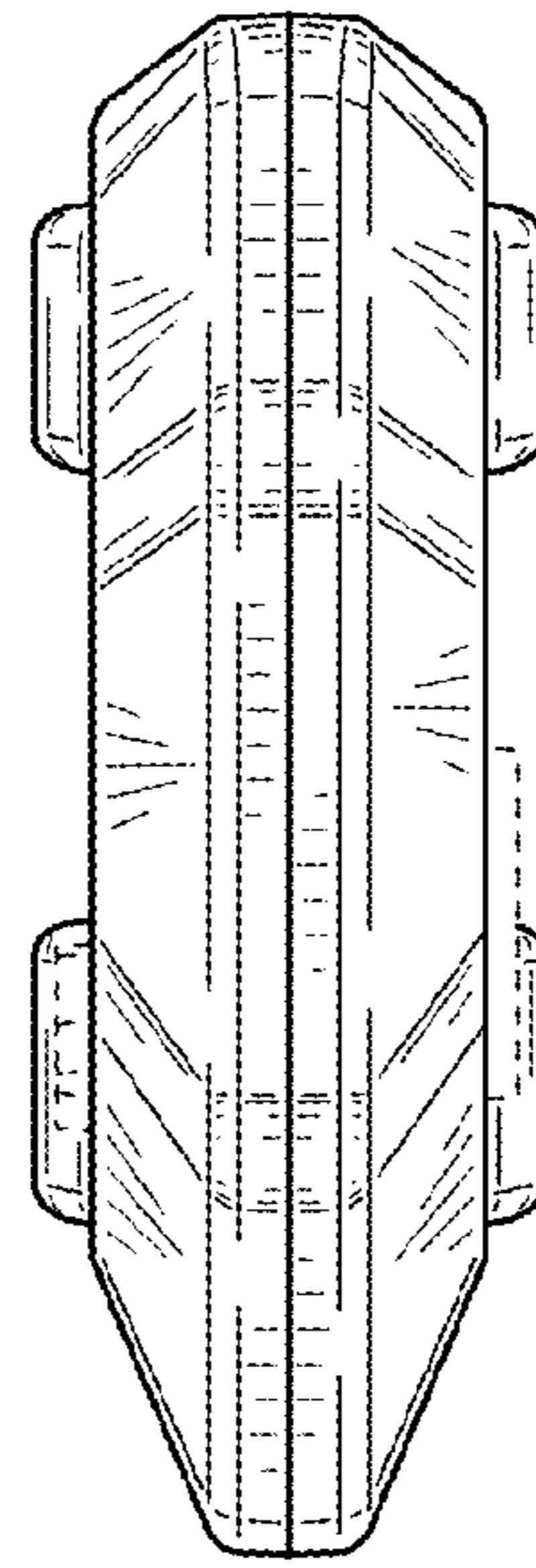


FIG. 5

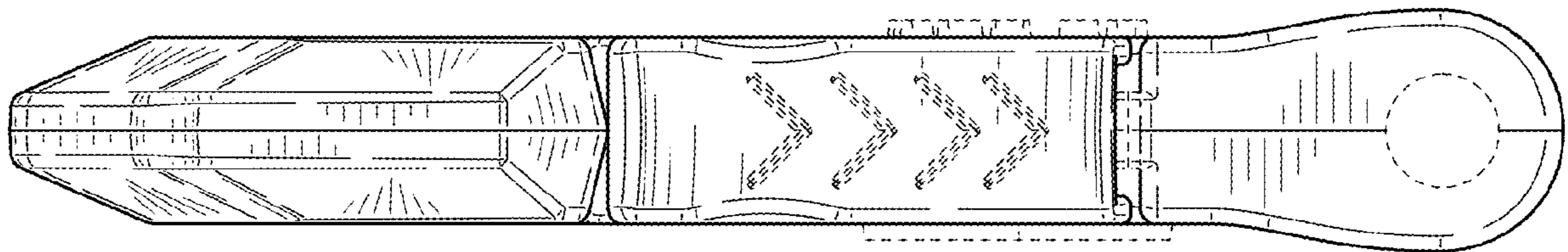


FIG. 6

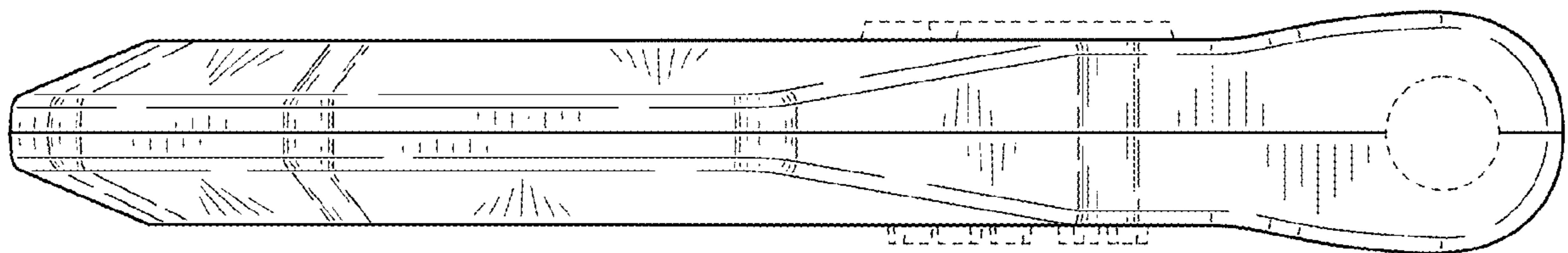


FIG. 7

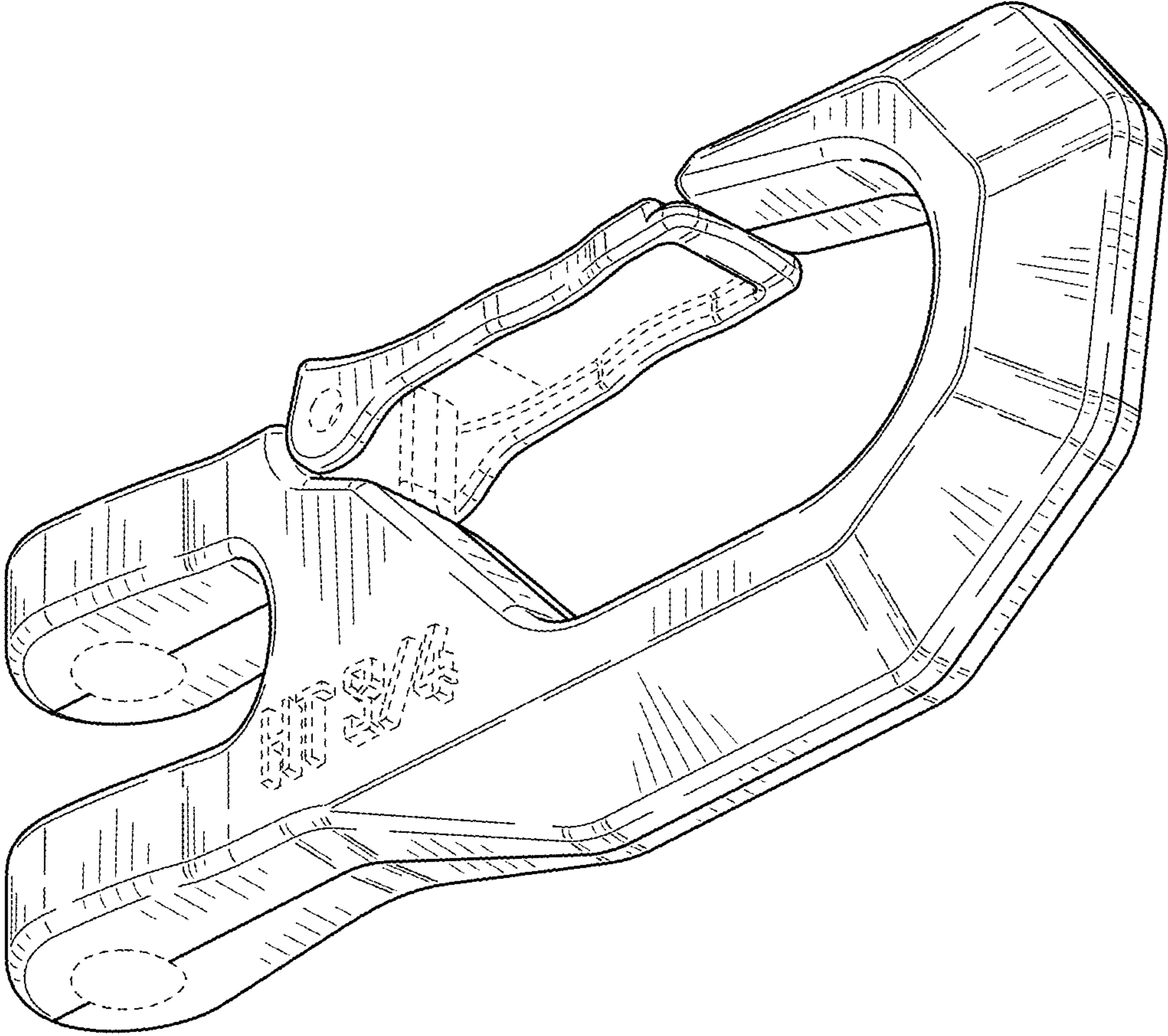


FIG. 8