

US00D893120S

(12) **United States Design Patent** (10) **Patent No.:** **US D893,120 S**
Delancey et al. (45) **Date of Patent:** **** Aug. 11, 2020**

- (54) **FASTEN TONGUE JACK PAD** 4,000,591 A * 1/1977 Courtois B28B 23/005
52/689
- (71) Applicants: **Zachary Ross Delancey**, Reidsville, NC (US); **Brandon Wayne Blakely**, Burlington, NC (US); **Bruce Andrew Angel**, Stokesdale, NC (US) D304,575 S * 11/1989 Batzel D34/31
D327,354 S * 6/1992 Inman D34/31
D440,022 S * 4/2001 Simpson D34/31
7,147,211 B2 * 12/2006 Porter B66F 3/30
254/93 H
- (72) Inventors: **Zachary Ross Delancey**, Reidsville, NC (US); **Brandon Wayne Blakely**, Burlington, NC (US); **Bruce Andrew Angel**, Stokesdale, NC (US) D659,937 S * 5/2012 Pugh D34/31
D799,778 S * 10/2017 Gilman D34/31
D882,905 S * 4/2020 Recker D34/35

* cited by examiner

(73) Assignee: **Camco Manufacturing, Inc.**, Greensboro, NC (US)

Primary Examiner — Cynthia Ramirez

(74) *Attorney, Agent, or Firm* — Tuggle Duggins P.A.; Blake P. Hurt

(**) Term: **15 Years**

(21) Appl. No.: **29/663,082**

(57) **CLAIM**

(22) Filed: **Sep. 12, 2018**

The ornamental design for a fasten tongue jack pad, as shown and described.

(51) **LOC (12) Cl.** **12-05**

(52) **U.S. Cl.**
USPC **D34/31**

DESCRIPTION

(58) **Field of Classification Search**
USPC D34/31, 35; 254/93 R; D23/206;
D12/106, 345
CPC B60D 1/40; B60D 1/66; B66F 3/30; B66F
3/36; B60S 11/00; F17C 13/084
See application file for complete search history.

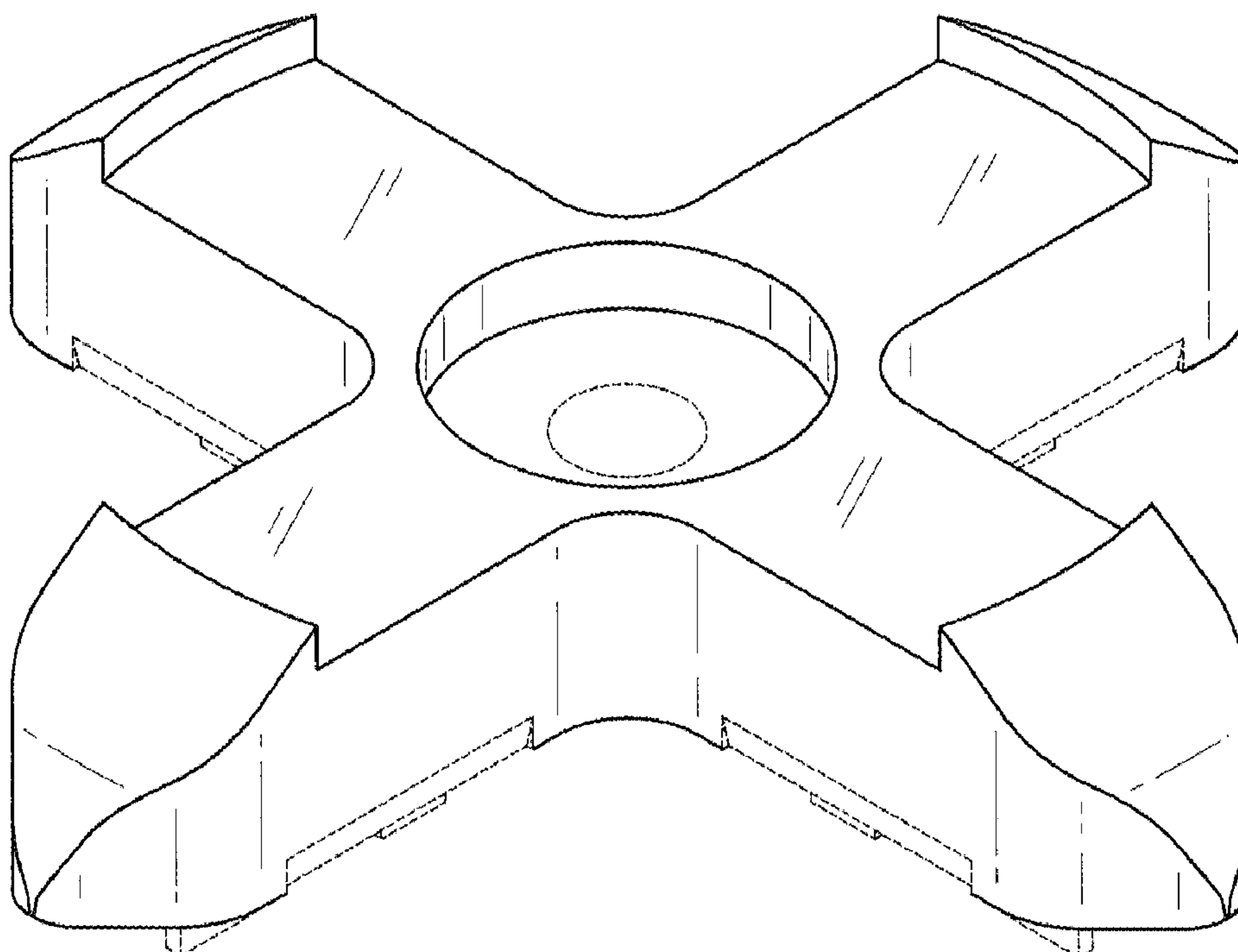
FIG. 1 is a top, front, right side perspective view of a fasten tongue jack pad showing our new design;
FIG. 2 is a bottom, back, left side perspective view thereof;
FIG. 3 is a top plan view thereof;
FIG. 4 is a bottom plan view thereof;
FIG. 5 is a front elevational view thereof, the back elevational view being a mirror image thereof; and,
FIG. 6 is a left side elevational view thereof, the right side elevational view being a mirror image thereof.
The broken lines illustrate portions of the fasten tongue jack pad that form no part of the claim.

(56) **References Cited**

U.S. PATENT DOCUMENTS

- 1,747,170 A * 2/1930 Howell B60S 11/00
254/133 R
- 2,802,632 A * 8/1957 Byers F16M 5/00
248/679

1 Claim, 6 Drawing Sheets



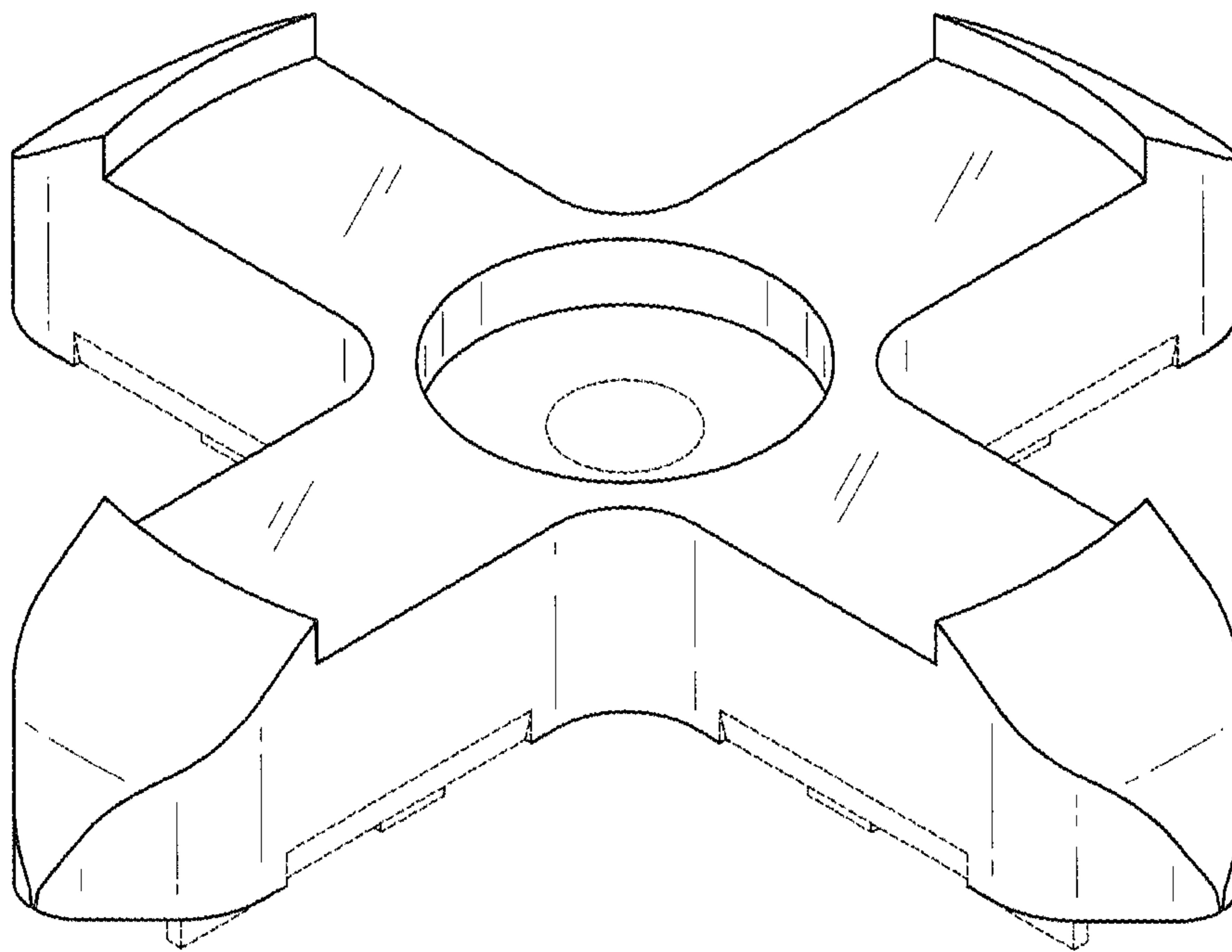


FIG. 1

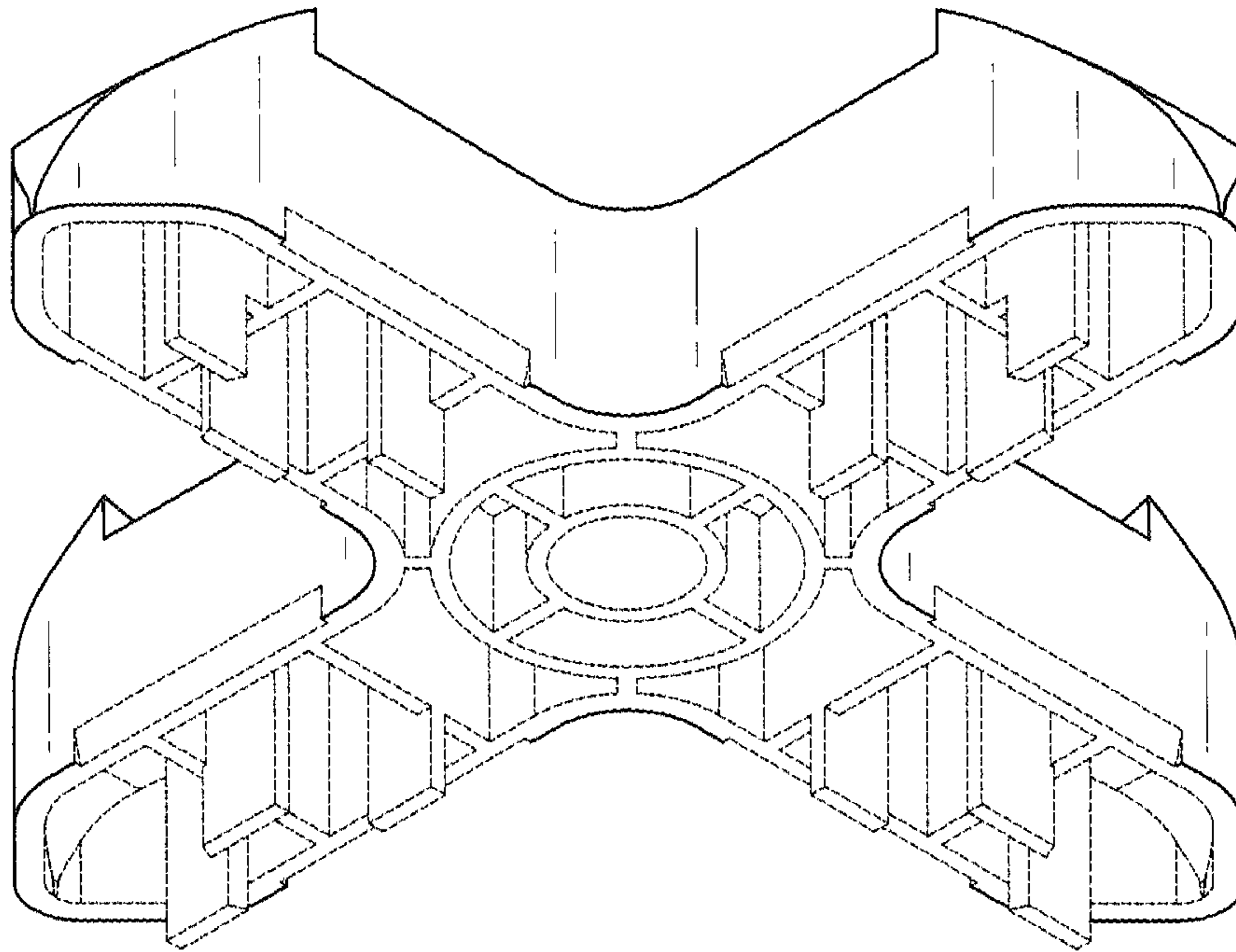


FIG. 2

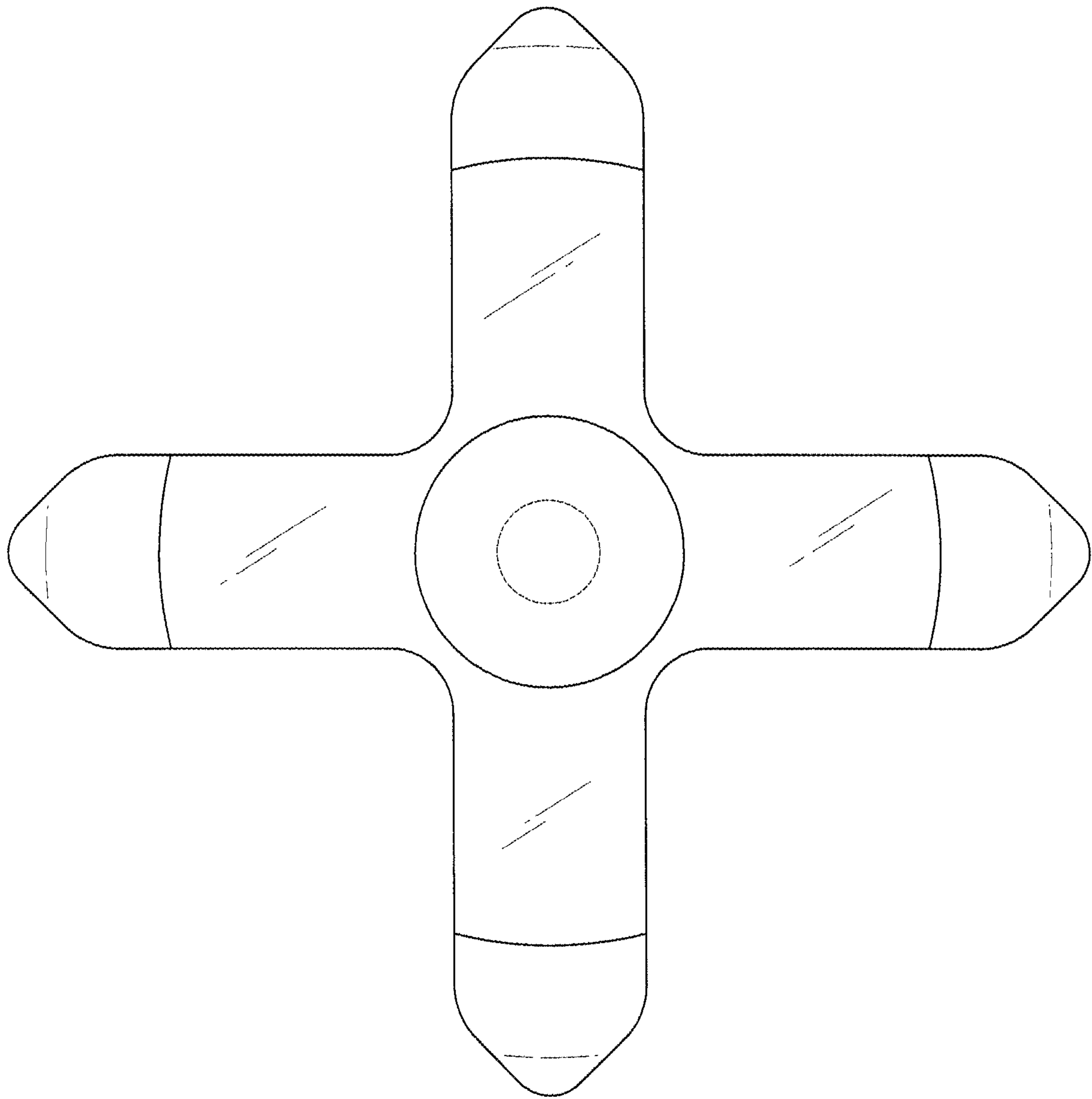


FIG. 3

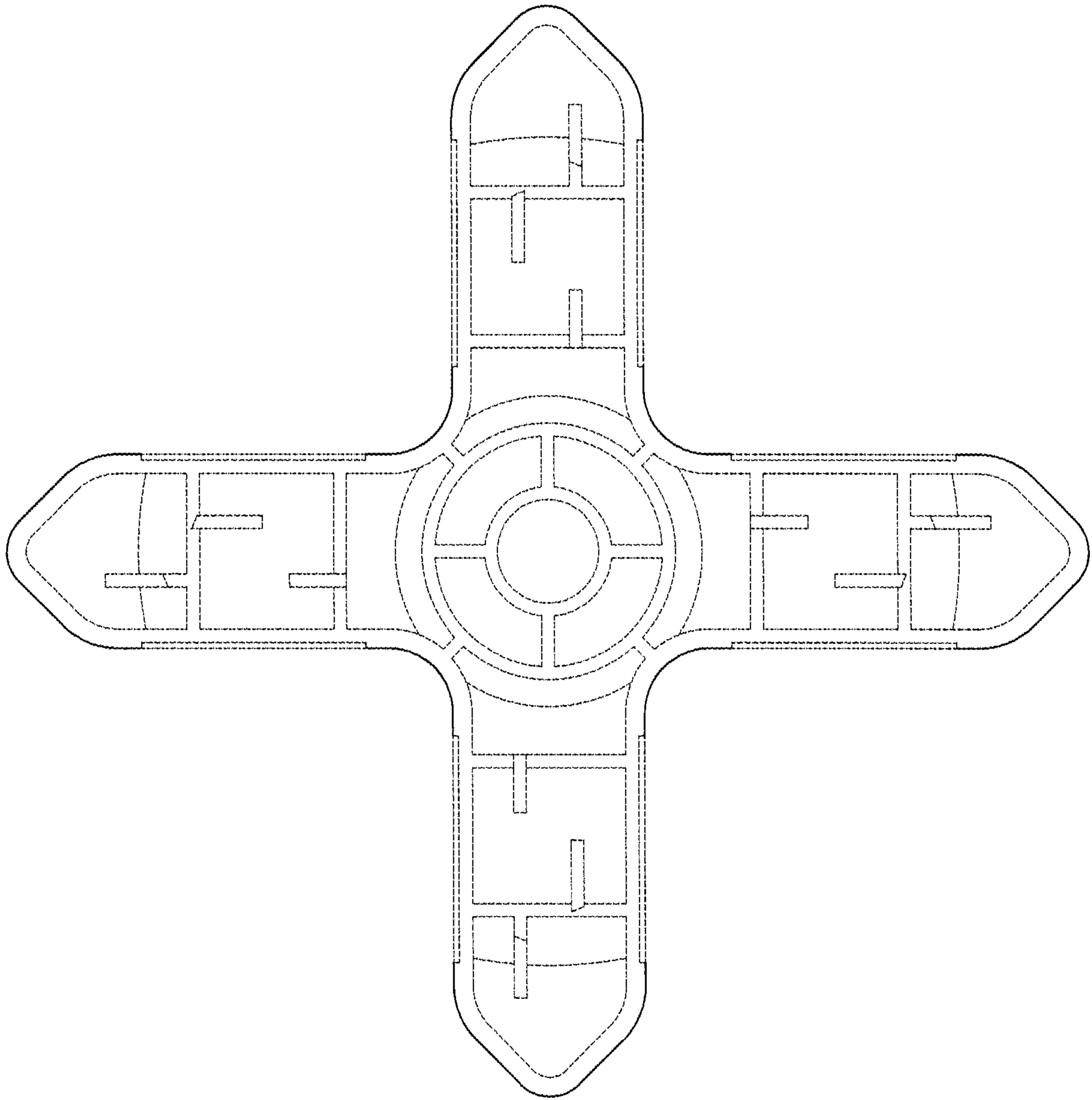


FIG. 4

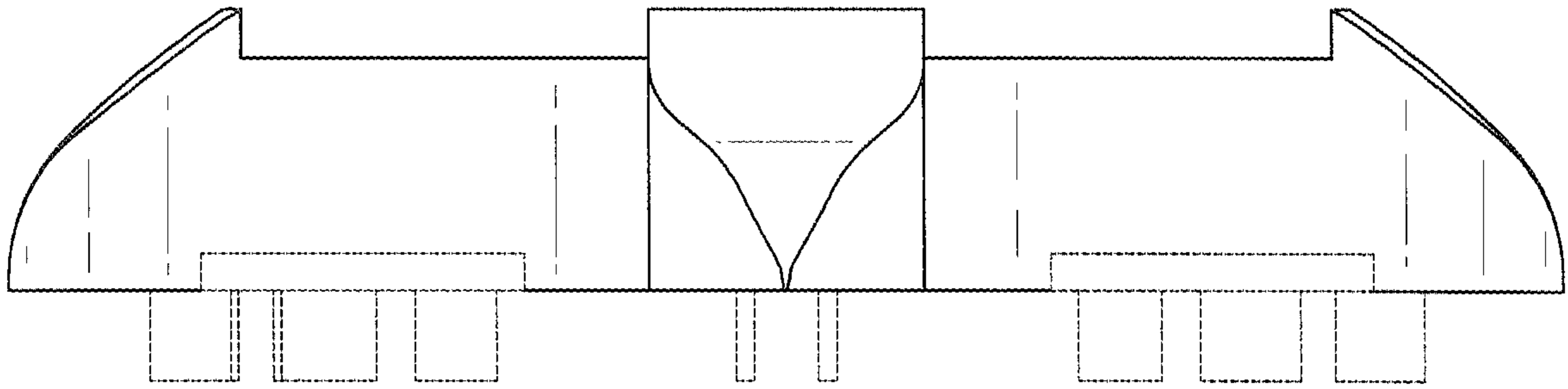


FIG. 5

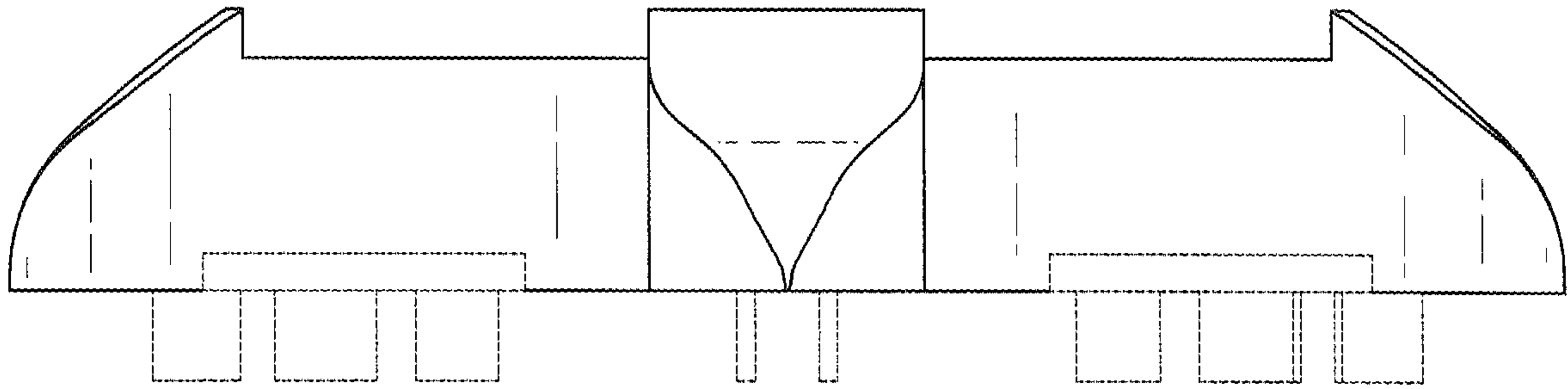


FIG. 6