



US00D893119S

(12) **United States Design Patent** (10) **Patent No.:** **US D893,119 S**  
**Fox** (45) **Date of Patent:** **\*\* Aug. 11, 2020**

(54) **TRANSMISSION JACK** 2015/0137052 A1\* 5/2015 DeKeuster ..... B66F 5/00  
254/133 R

(71) Applicant: **VIS, LLC**, Travelers Rest, SC (US) \* cited by examiner

(72) Inventor: **Robert Fox**, Greenville, SC (US) *Primary Examiner* — Cynthia Ramirez

(73) Assignee: **VIS, LLC**, Travelers Rest, SC (US) (74) *Attorney, Agent, or Firm* — J. Bennett Mullinax, LLC

(\*\*) Term: **15 Years** (57) **CLAIM**

(21) Appl. No.: **29/636,958** The ornamental design for a transmission jack, as shown and described.

(22) Filed: **Feb. 13, 2018**

(51) **LOC (12) Cl.** ..... **12-05**

(52) **U.S. Cl.**  
USPC ..... **D34/31**

(58) **Field of Classification Search**  
USPC ..... D34/31; D12/106  
CPC ..... B60S 9/12; B60S 9/06; B60S 9/02; B66F 7/00; B66F 7/02; B66F 9/06; B66F 9/00; B66F 5/00; B66F 5/04; B66F 3/25; B66F 3/30; B66F 3/12; B66F 3/18; B66F 3/24; B66F 3/28; B66F 3/247

See application file for complete search history.

**DESCRIPTION**

FIG. 1 is a left perspective view of the transmission jack according to the present design;  
FIG. 2 is a left side view of the transmission jack as shown in FIG. 1;  
FIG. 3 is a right side view of the transmission jack as shown in FIG. 1;  
FIG. 4 is a front view of the transmission jack as shown in FIG. 1;  
FIG. 5 is a rear view of the transmission jack as shown in FIG. 1;  
FIG. 6 is a top view of the transmission jack as shown in FIG. 1; and,  
FIG. 7 is a bottom view of the transmission jack as shown in FIG. 1.

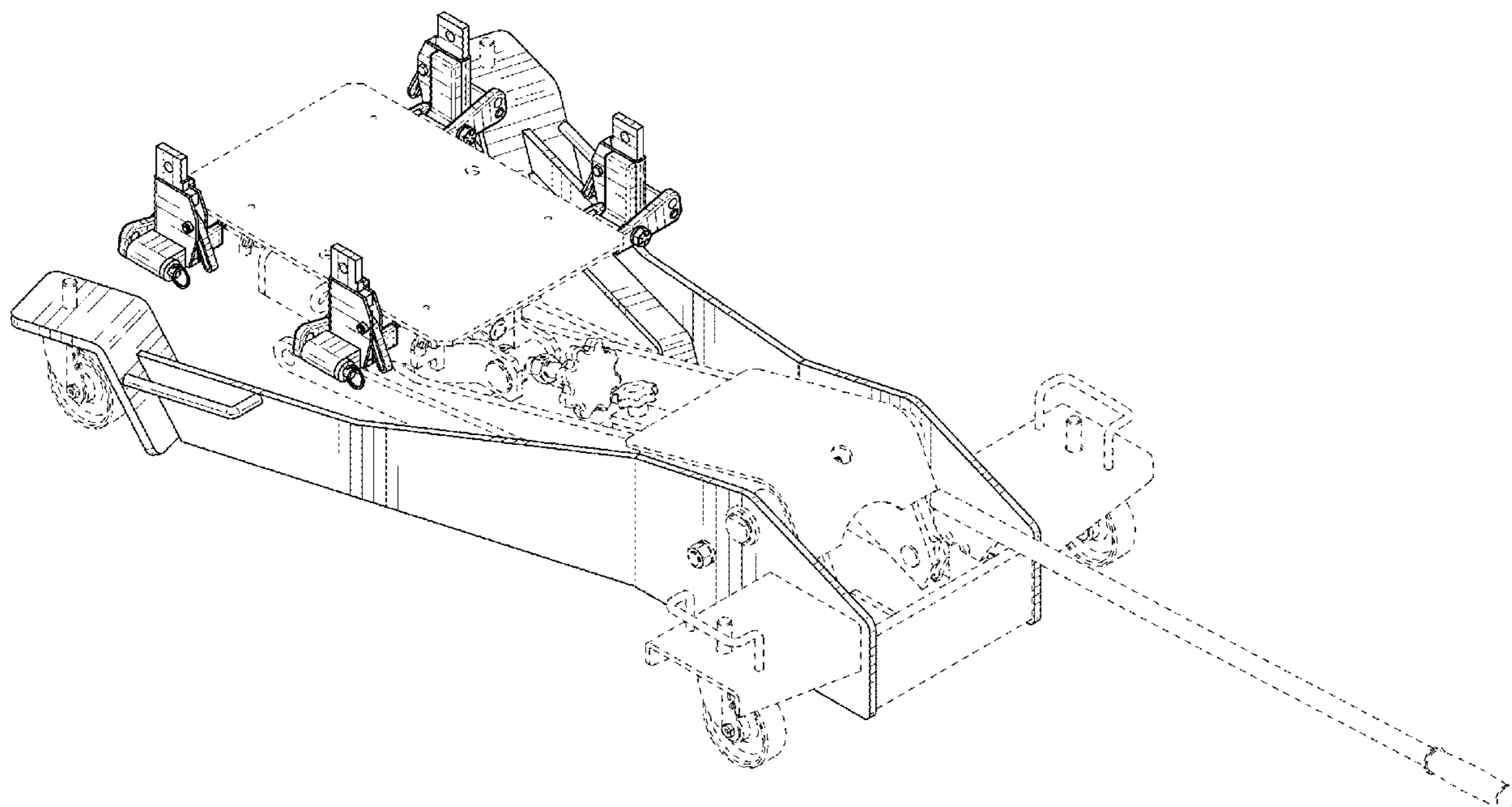
The broken lines in the figures are for the purpose of illustrating portions of the transmission jack that form no part of the claimed design,

(56) **References Cited**

**U.S. PATENT DOCUMENTS**

D272,670 S \* 2/1984 Tsujimura ..... D34/31  
D764,736 S \* 8/2016 Fox ..... D34/31  
D835,378 S \* 12/2018 Huang ..... D34/31  
2013/0153839 A1\* 6/2013 Shen ..... B66F 5/04  
254/2 B

**1 Claim, 5 Drawing Sheets**



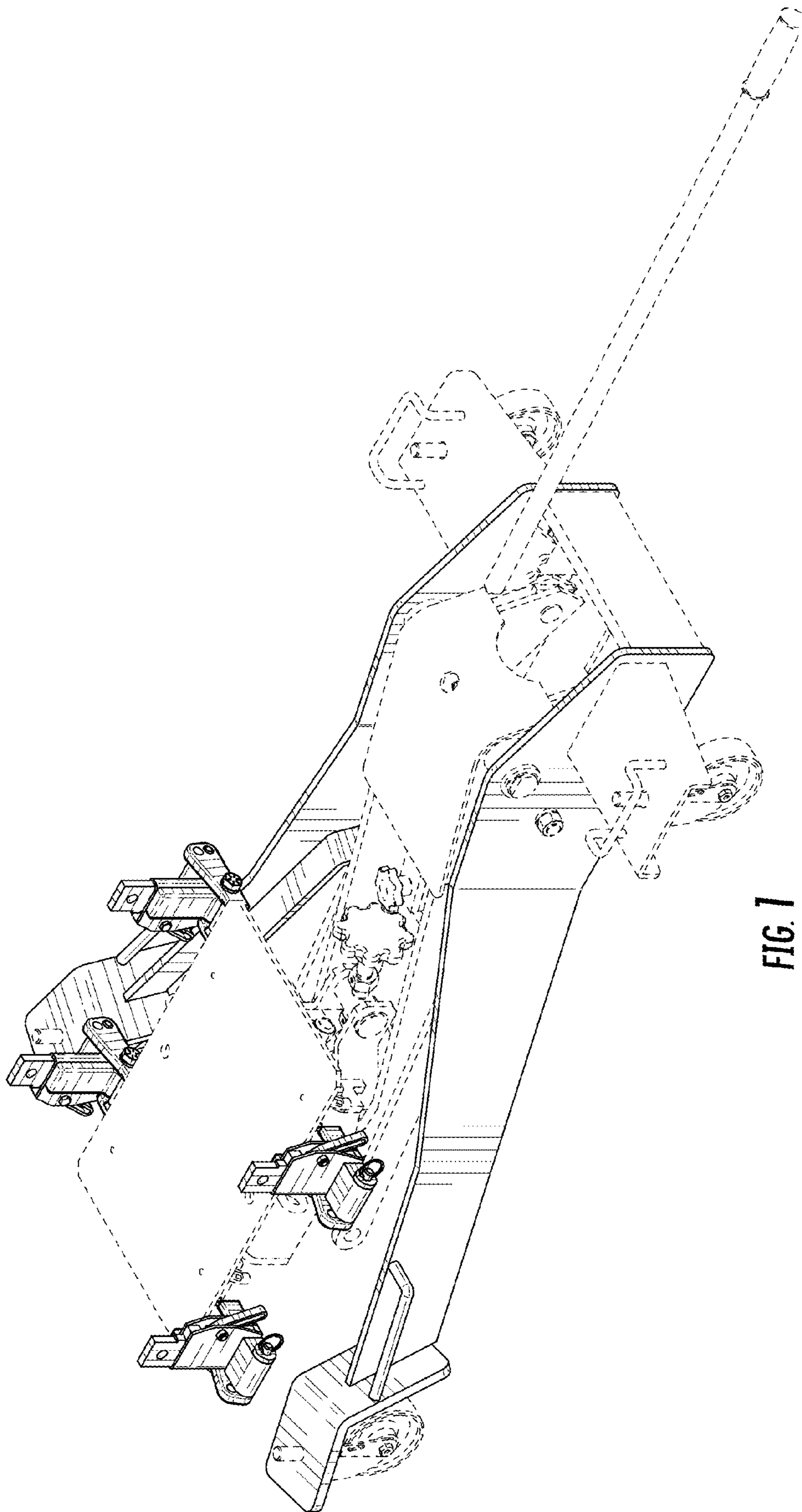


FIG. 1

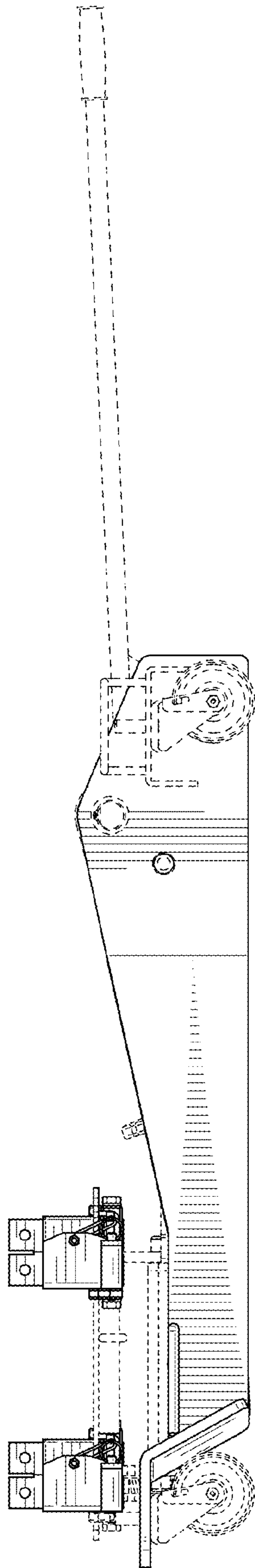


FIG. 2

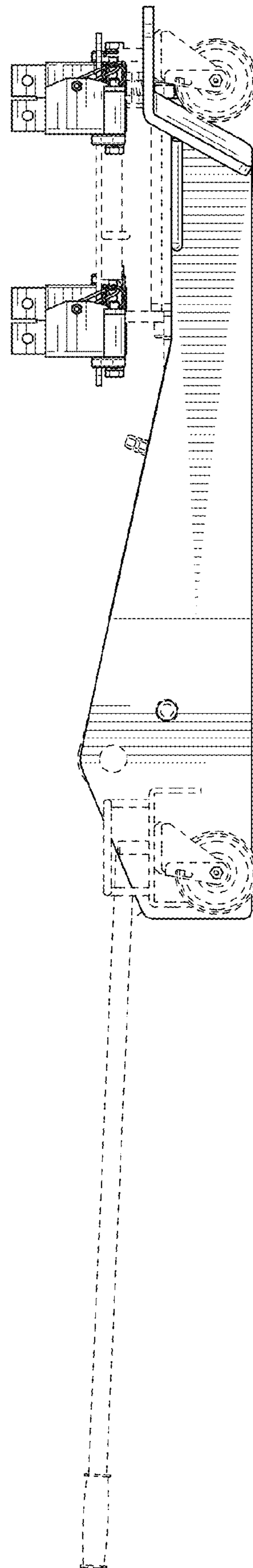
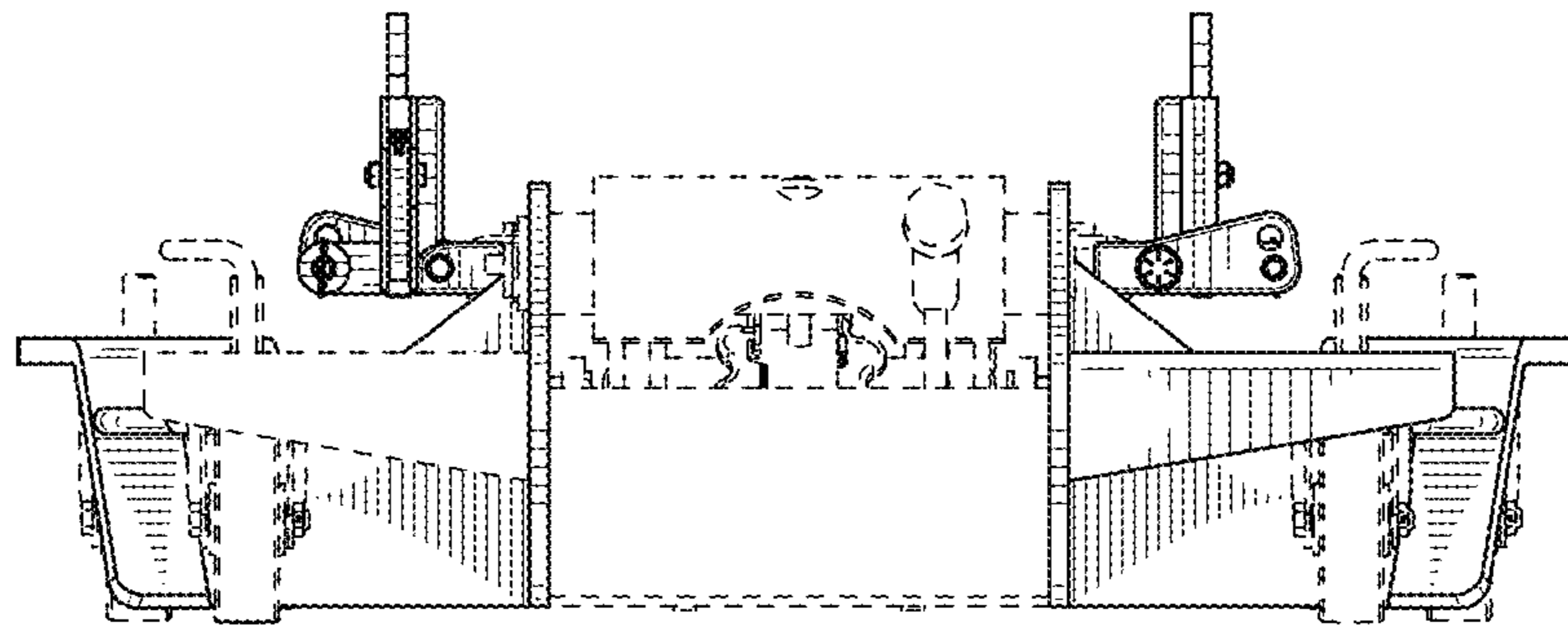
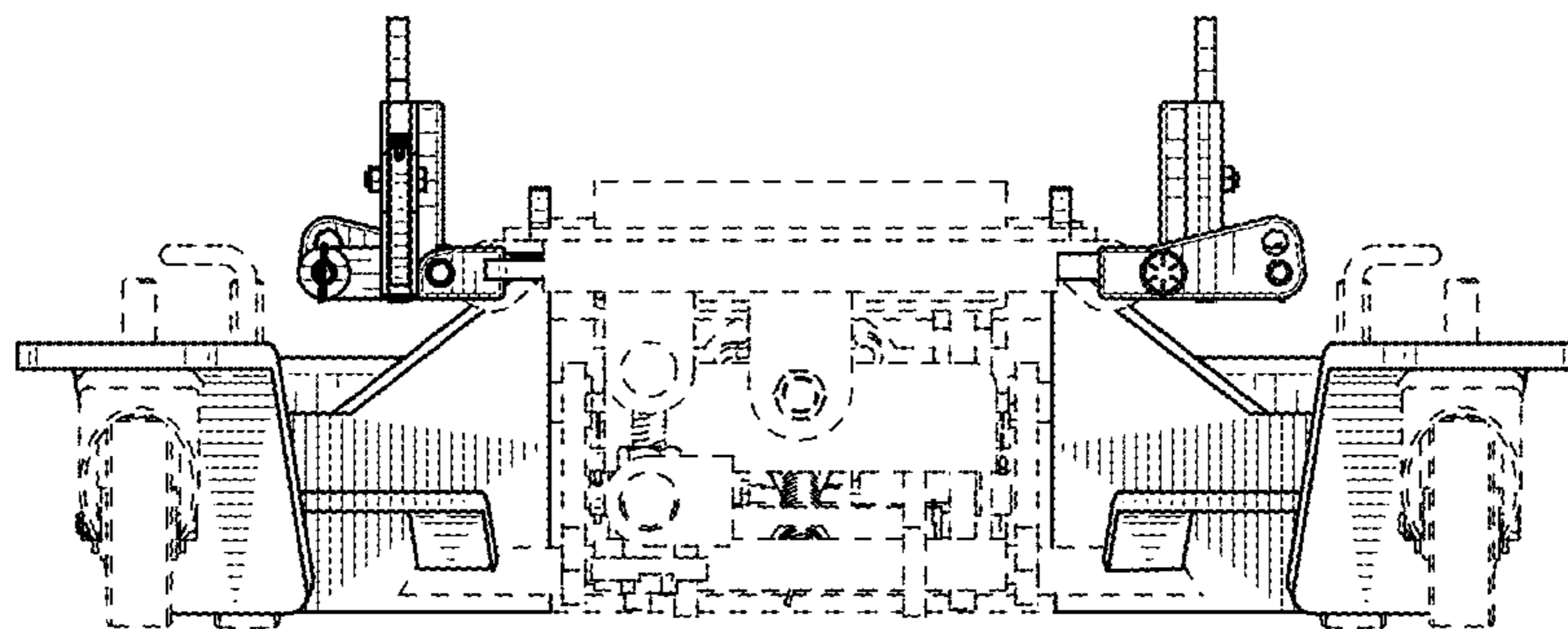


FIG. 3



**FIG. 4**



**FIG. 5**



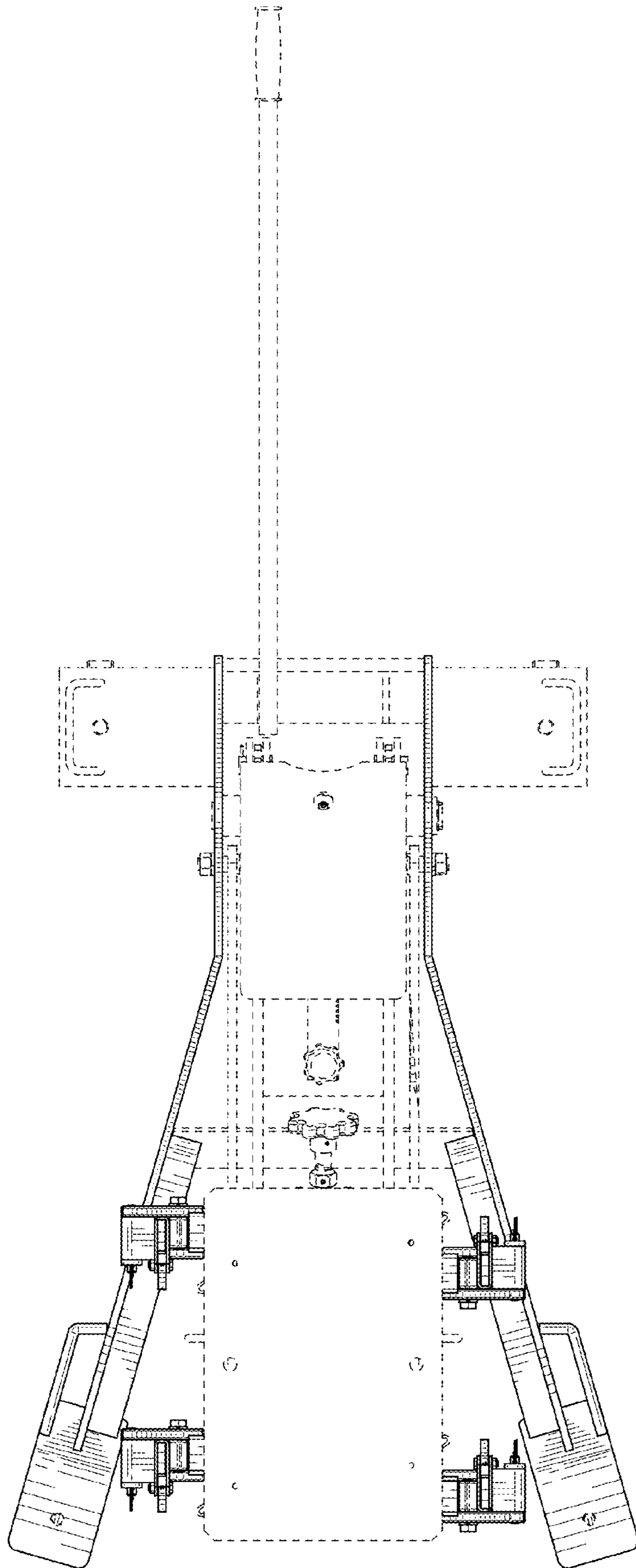


FIG. 6

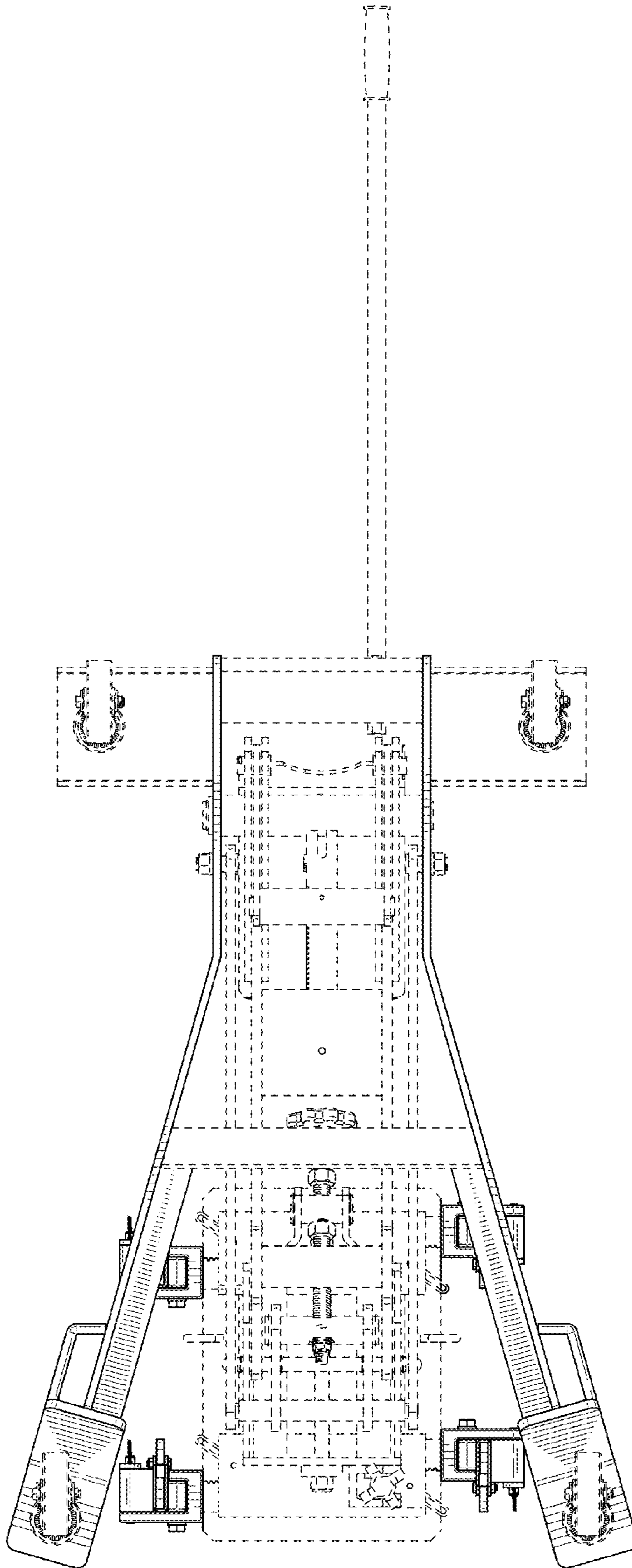


FIG. 7