

US00D893118S

(12) **United States Design Patent** (10) **Patent No.:** **US D893,118 S**  
**Casper** (45) **Date of Patent:** **\*\* \*Aug. 11, 2020**

(54) **PAINT TRAY**  
(71) Applicant: **Rohrer Corporation**, Wadsworth, OH (US)

D848,696 S \* 5/2019 Casper ..... D32/53.1  
D850,048 S \* 5/2019 Casper ..... D32/53.1  
2003/0061678 A1\* 4/2003 Tennant ..... B44D 3/126  
15/257.06

(72) Inventor: **Bartholomew J. Casper**, Downers Grove, IL (US)  
(73) Assignee: **Rohrer Corporation**, Wadsworth, OH (US)

**OTHER PUBLICATIONS**

Amazon.com, Grip Tight Tools Plastic Disposable Paint Tray Liner, undated online product page retrieved Mar. 9, 2020 from <URL:https://www.amazon.com/Grip-Tight-Tools-Plastic-Disposable/dp/B0721VCHT5> (Year: 2020).\*  
HardwareTools.com, Encore 201303 Ecosmart Deep Well Paint Tray Liner with built in grid, undated online product page retrieved Mar. 9, 2020 from <URL:https://www.hardwareandtools.com/encore-201303-ecosmart-deep-well-paint-tray-liner-with-built-in-grid-6-inch-ccfa-9789.html> (Year: 2020).\*

(\* ) Notice: This patent is subject to a terminal disclaimer.

(\*\*) Term: **15 Years**

\* cited by examiner

(21) Appl. No.: **29/668,872**

*Primary Examiner* — Sheryl Lane  
*Assistant Examiner* — Calvin E Vansant

(22) Filed: **Nov. 2, 2018**

(74) *Attorney, Agent, or Firm* — Greenberg Traurig, LLP

(51) **LOC (12) Cl.** ..... **07-05**

(52) **U.S. Cl.**  
USPC ..... **D32/53.1**

(57) **CLAIM**

(58) **Field of Classification Search**  
USPC ..... D32/37, 53, 53.1, 54; D3/304, 307, 315, D3/905; D23/284, 288, 290; D7/603; D21/532  
CPC ..... B44D 3/123; B44D 3/128; B44D 3/12; B44D 3/126; B44D 3/127; B65D 2543/00092  
See application file for complete search history.

The ornamental design for a paint tray, as shown and described.

**DESCRIPTION**

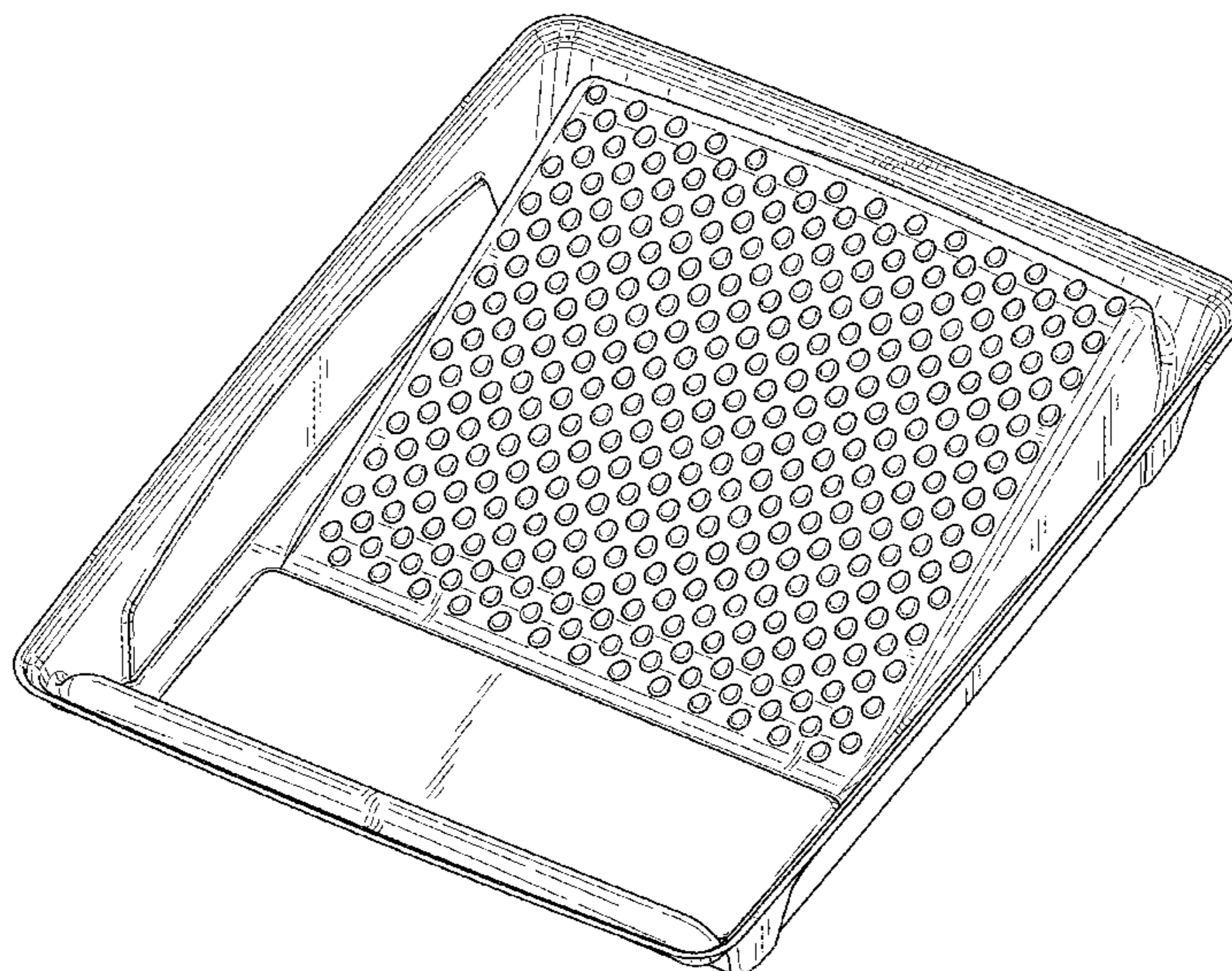
(56) **References Cited**

**U.S. PATENT DOCUMENTS**

D223,864 S \* 6/1972 Vines ..... D32/53.1  
3,729,764 A \* 5/1973 Vines ..... B44D 3/126  
15/257.06  
D264,897 S \* 6/1982 Smith ..... D32/53.1  
D297,476 S \* 8/1988 Ross ..... B44D 3/126  
D32/53.1  
D332,512 S \* 1/1993 Bernard ..... B44D 3/126  
D32/53.1

FIG. 1 is a top perspective view of a paint tray showing my new design;  
FIG. 2 is bottom perspective view of the paint tray of FIG. 1;  
FIG. 3 is a front side elevational view of the paint tray of FIG. 1;  
FIG. 4 is a rear side elevational view of the paint tray of FIG. 1;  
FIG. 5 is a right side elevational view of the paint tray of FIG. 1;  
FIG. 6 is a left side elevational view of the paint tray of FIG. 1;  
FIG. 7 is a top plan view of the paint tray of FIG. 1; and,  
FIG. 8 is a bottom plan view of the paint tray of FIG. 1.

**1 Claim, 6 Drawing Sheets**



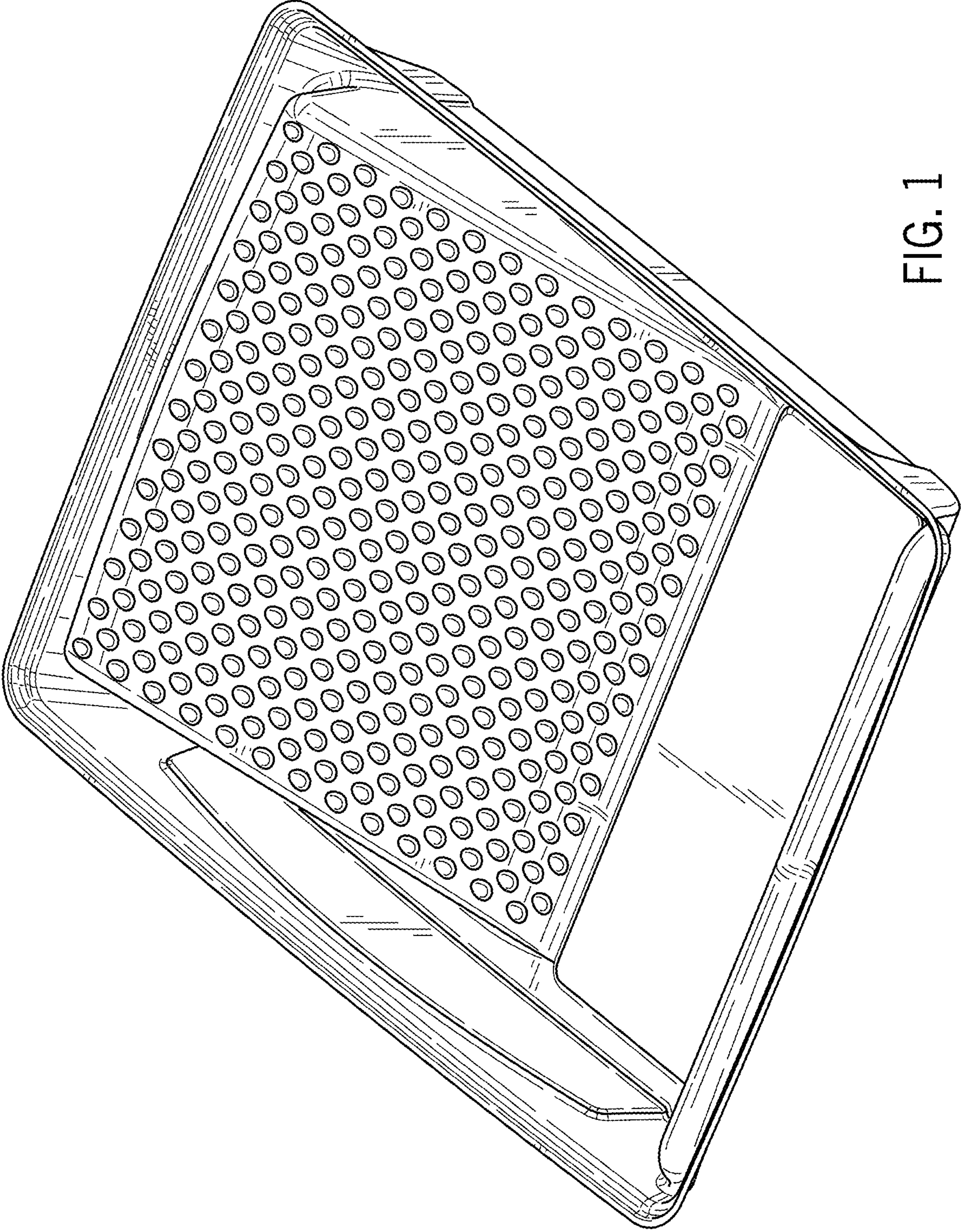


FIG. 1

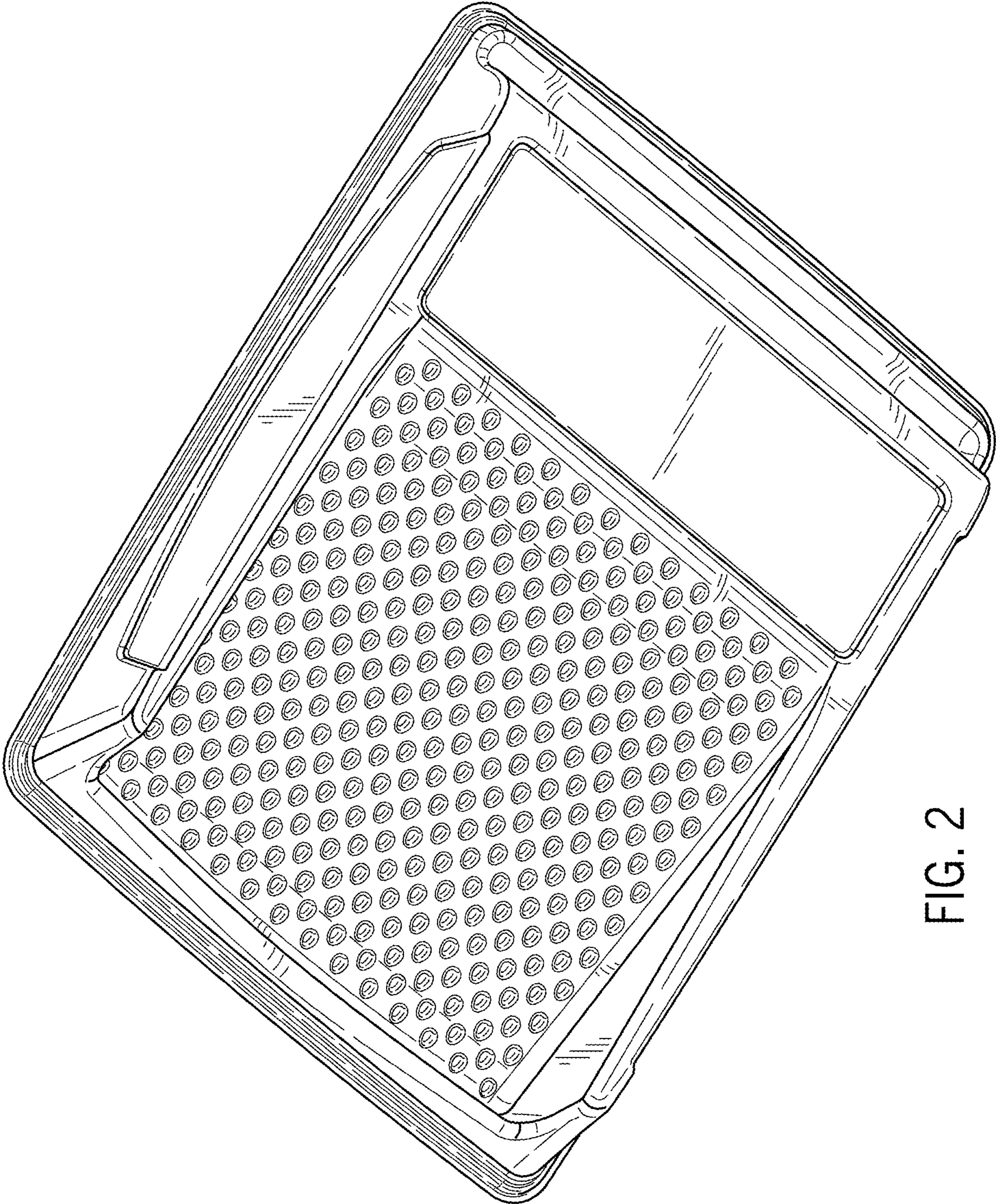


FIG. 2

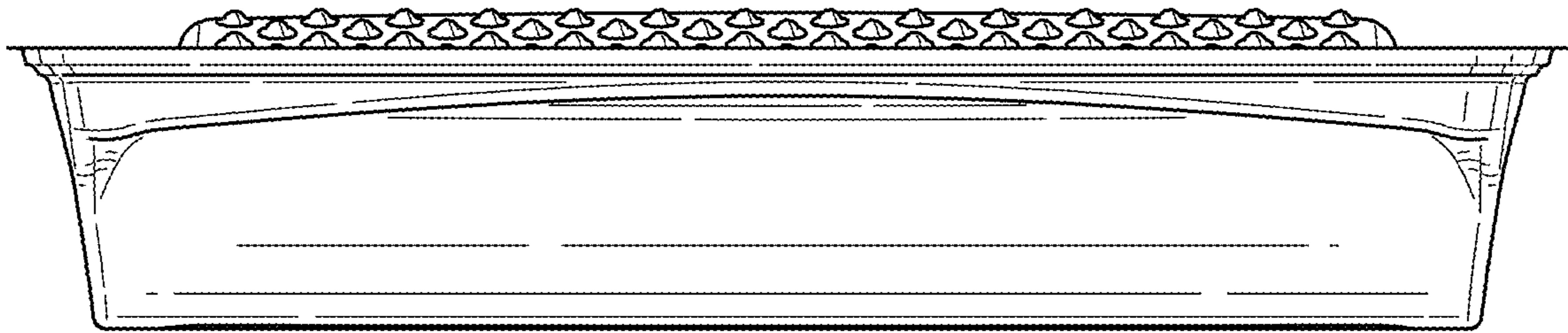


FIG. 3

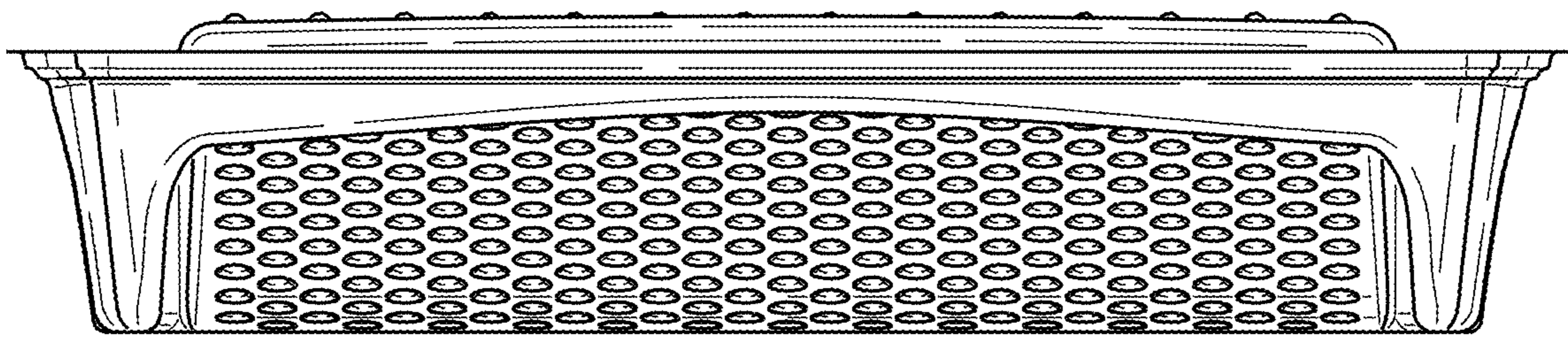


FIG. 4

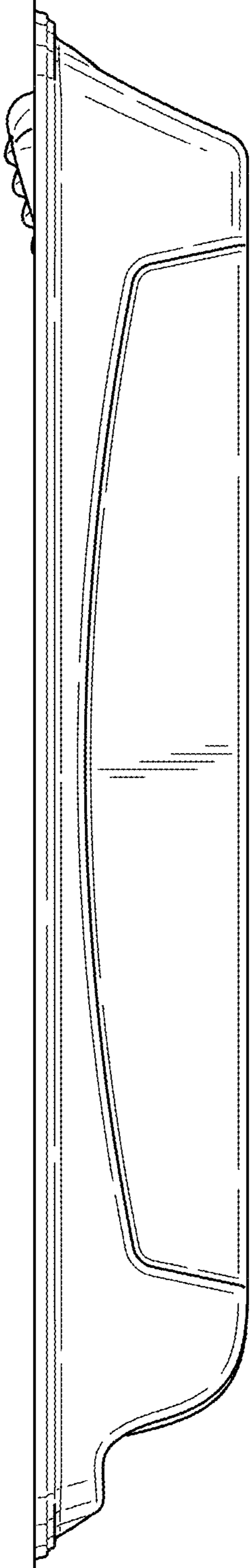


FIG. 5

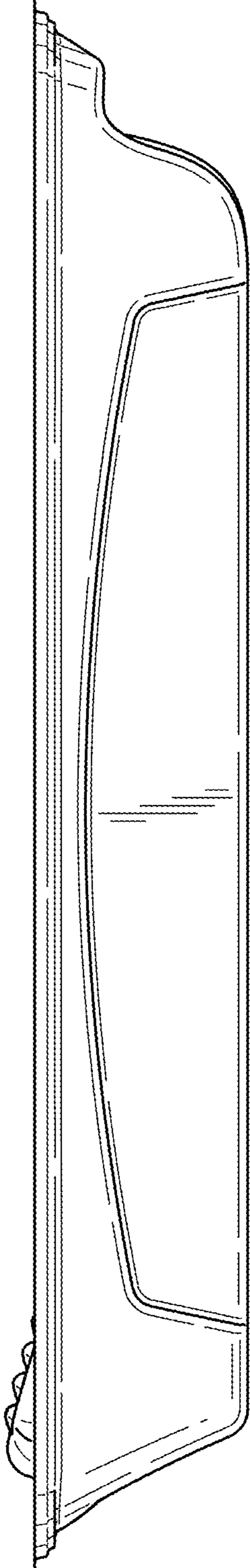


FIG. 6

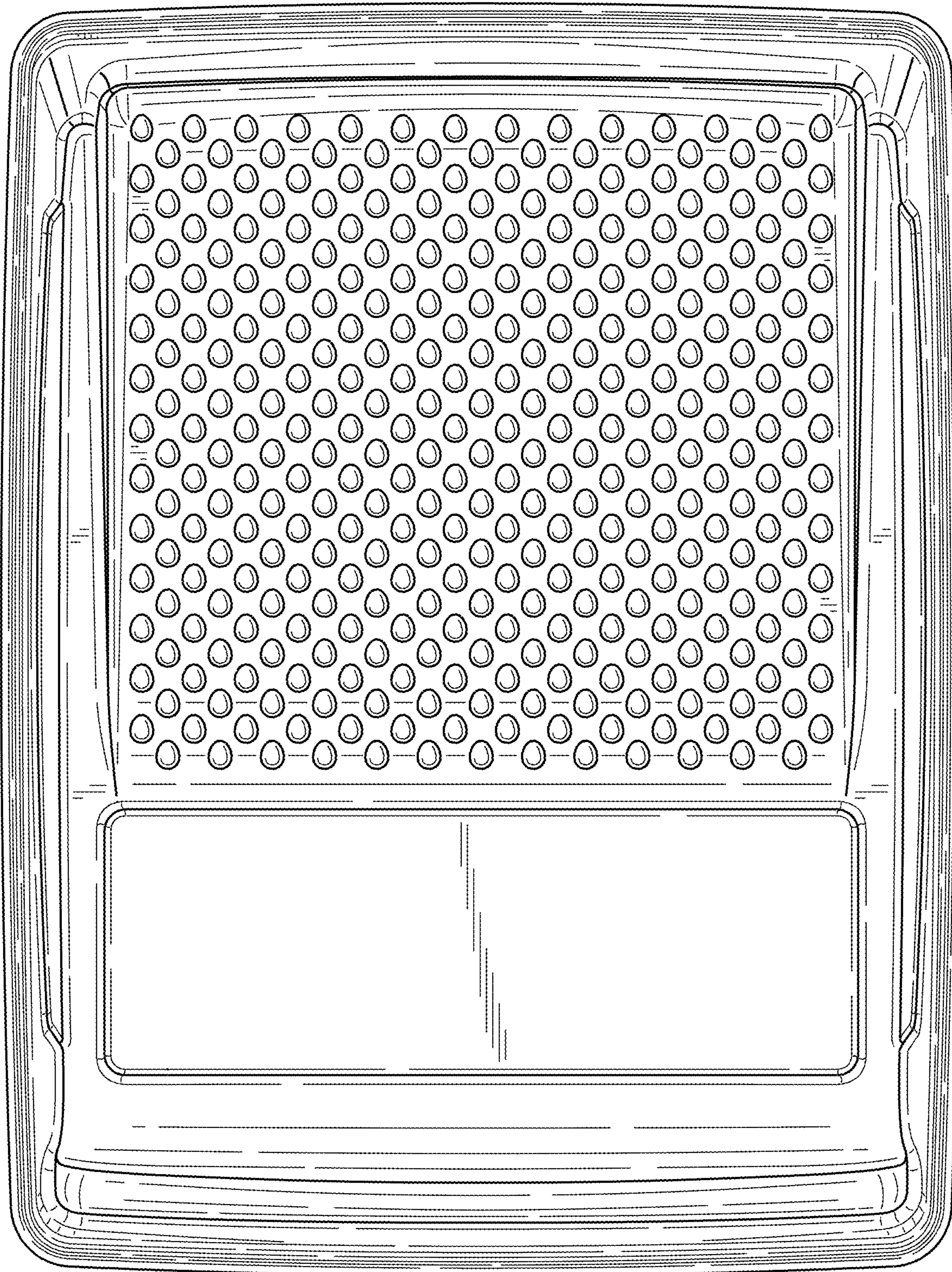


FIG. 7

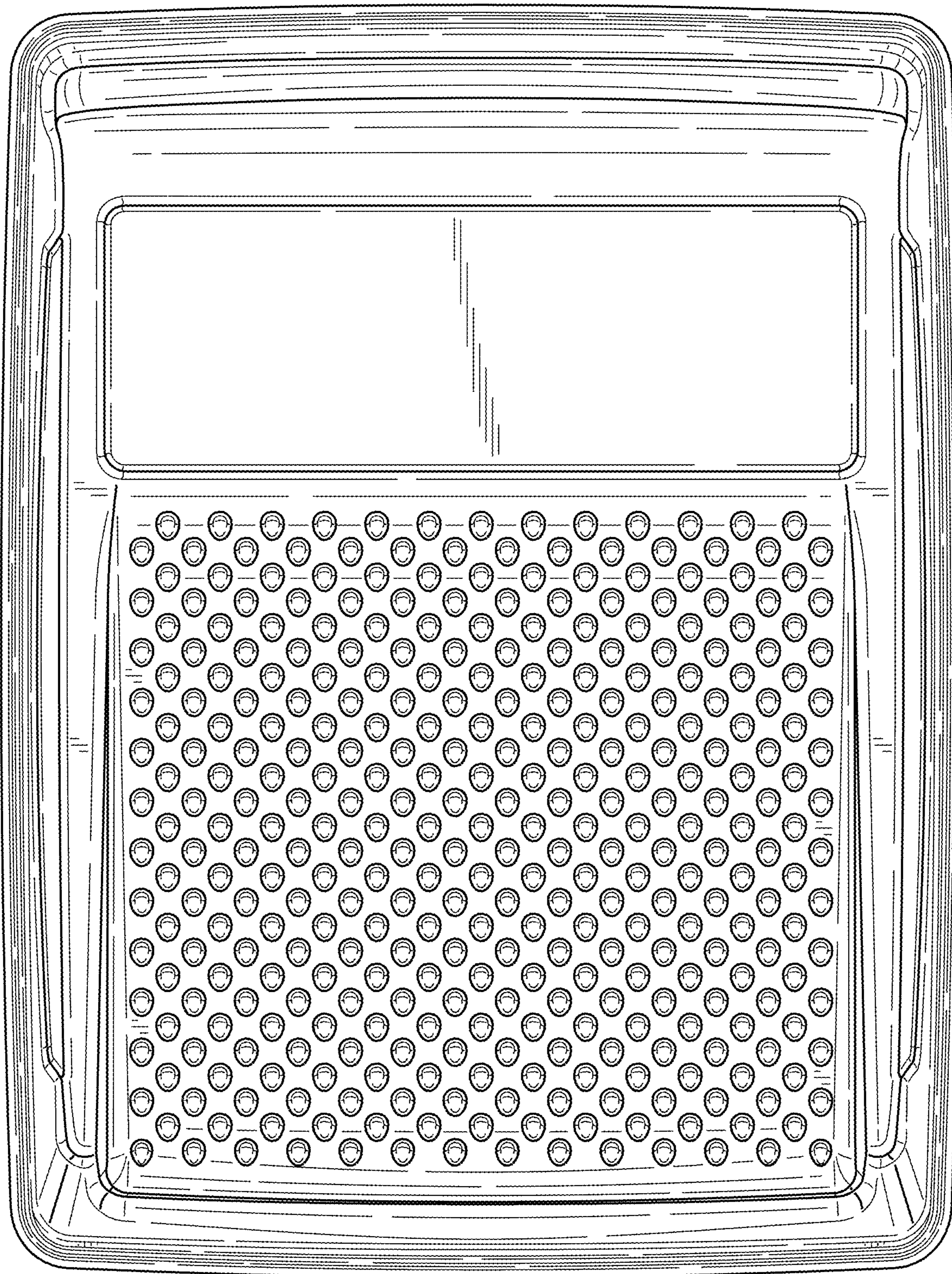


FIG. 8