

US00D893117S

(12) **United States Design Patent** (10) **Patent No.:** **US D893,117 S**
Olson (45) **Date of Patent:** **** *Aug. 11, 2020**

- (54) **ANIMAL LITTER BOX**
- (71) Applicant: **KITANGLE, LLC**, Bennett, CO (US)
- (72) Inventor: **Kristin L. Olson**, Bennett, CO (US)
- (73) Assignee: **KITANGLE, LLC**, Bennett, CO (US)
- (*) Notice: This patent is subject to a terminal disclaimer.
- (**) Term: **15 Years**
- (21) Appl. No.: **29/627,975**
- (22) Filed: **Nov. 30, 2017**
- (51) **LOC (12) Cl.** **30-99**
- (52) **U.S. Cl.**
USPC **D30/161**
- (58) **Field of Classification Search**
USPC D30/158-161; D3/304
CPC A01K 1/011; A01K 1/0107; A01K 1/0125;
A01K 1/0121; A47K 11/02; A47K 11/06;
A47K 13/00; A47K 13/06; A47K 13/14
See application file for complete search history.

- D266,888 S * 11/1982 Ungaro D30/118
- D268,058 S 2/1983 Kinnebrew, IV
- D269,725 S 7/1983 Cooke et al.
- D272,198 S 1/1984 Webb et al.
- D272,569 S 2/1984 Argentine et al.
- (Continued)

OTHER PUBLICATIONS

“ACL Plastik, [online], [site visited Jan. 25, 2018]. Available from Internet, URL:http://www.acplastik.com/eng/details.asp?main_cat=16&sub_cat=47&id=224”.

(Continued)

Primary Examiner — Sheryl Lane
Assistant Examiner — Aula Soroush
(74) *Attorney, Agent, or Firm* — Kutak Rock LLP; Neil L. Arney

(57) **CLAIM**

The ornamental design for an animal litter box, as shown and described.

DESCRIPTION

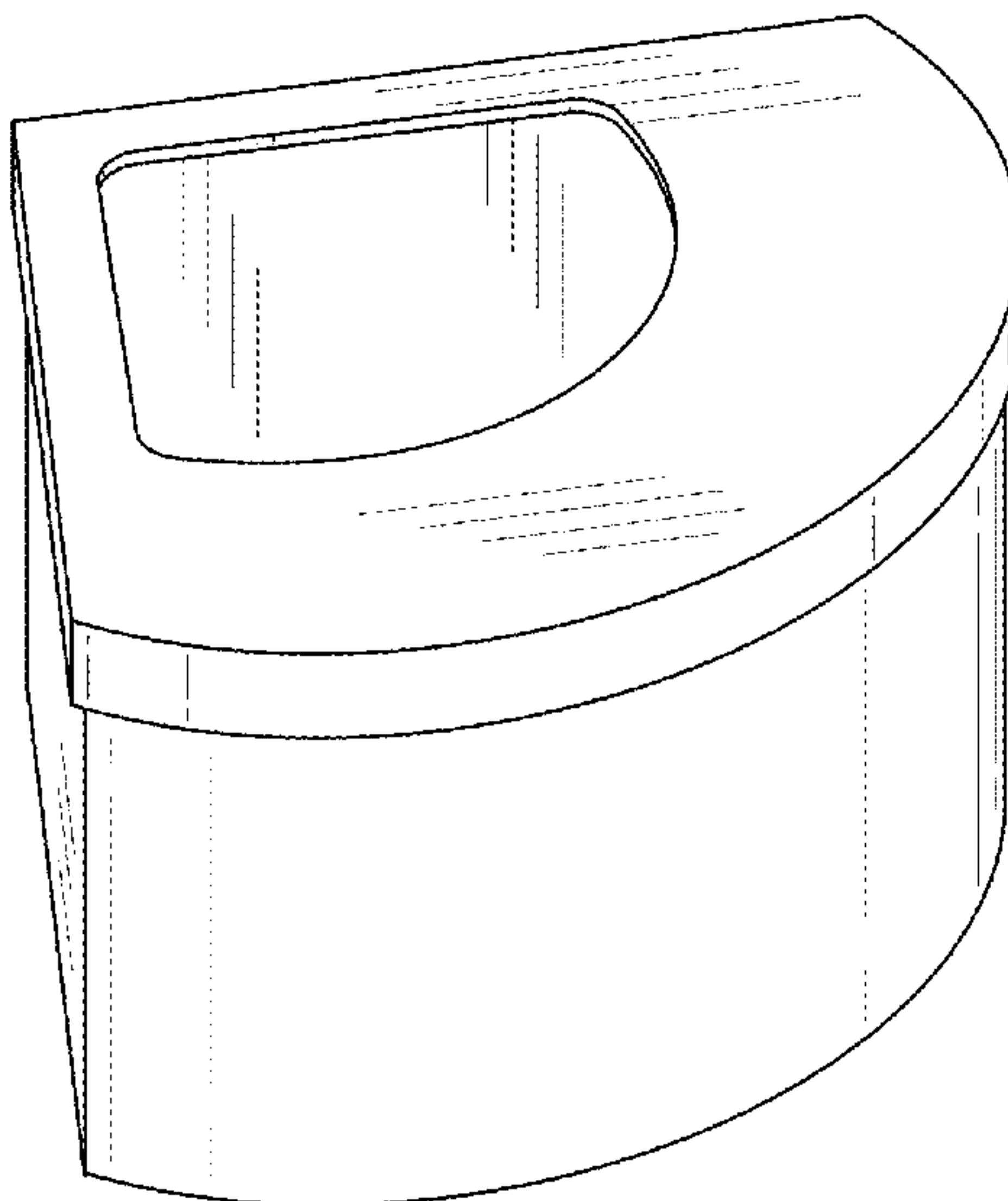
FIG. 1 is a front perspective of an animal litter box showing my new design.
FIG. 2 is a front perspective (exploded) of an animal litter box showing my new design.
FIG. 3 is a front view of an animal litter box showing my new design.
FIG. 4 is a rear view of an animal litter box showing my new design.
FIG. 5 is a right-side view of an animal litter box showing my new design.
FIG. 6 is a left-side view of an animal litter box showing my new design.
FIG. 7 is a top view of an animal litter box showing my new design; and,
FIG. 8 is a bottom view of an animal litter box showing my new design.

1 Claim, 5 Drawing Sheets

(56) **References Cited**

U.S. PATENT DOCUMENTS

- D30,435 S 3/1899 Bradley
- 2,469,784 A 5/1949 William
- 2,963,003 A * 12/1960 Oberg A01K 1/0114
119/166
- 3,358,647 A 12/1967 Wilson
- D244,534 S 5/1977 Gruber
- D245,191 S 7/1977 Gore
- D246,392 S 11/1977 Smith
- D246,496 S 11/1977 Weckwerth
- D248,049 S * 5/1978 Pedigo D30/114
- D248,333 S 6/1978 Haugen
- D250,051 S 10/1978 Spinks
- D257,406 S 10/1980 Ouellette
- D264,261 S 5/1982 Durocher
- 4,352,340 A 10/1982 Strubelt



(56)

References Cited

U.S. PATENT DOCUMENTS

D273,718 S	5/1984	Dugan		D408,949 S	4/1999	Queen	
D276,752 S	12/1984	Kinzie		D410,575 S	6/1999	Meier	
D280,458 S	9/1985	Bryce		D413,416 S	8/1999	Frank	
D286,694 S	11/1986	O'Rourke		D421,161 S	2/2000	Rogers	
D288,253 S	2/1987	Hatton et al.		D421,167 S	2/2000	Bacon et al.	
D289,574 S	4/1987	Stinner		D421,515 S	3/2000	Slear	
D292,035 S	9/1987	Aksamit		D421,823 S	3/2000	Meier	
D298,672 S	11/1988	Herbst		D421,824 S	3/2000	Hornyak	
D300,965 S	5/1989	Conner		D424,769 S	5/2000	Hornyak	
D300,966 S	5/1989	Conner		D425,674 S	5/2000	Dykens	
D300,967 S	5/1989	Conner		D426,684 S	6/2000	Kenney	
D300,968 S	5/1989	Conner		6,135,057 A	10/2000	Cummings	
4,836,141 A *	6/1989	Whitfield	A01K 1/0107 119/169	D433,544 S	11/2000	Nesbit-Yontz	
D308,589 S	6/1990	Shay		D435,149 S	12/2000	Kleinberg	
D309,050 S	7/1990	Wolak		6,237,534 B1	5/2001	Schwartz	
D309,106 S *	7/1990	Willson	D9/424	D453,243 S	1/2002	Burke	
D310,587 S	9/1990	Hinson		D453,865 S	2/2002	Ross	
D310,588 S	9/1990	Valinsky		D455,872 S	4/2002	Sturgis	
D310,740 S	9/1990	Mannschreck		6,378,461 B1	4/2002	Thaler et al.	
D311,713 S	10/1990	McAfee et al.		D463,887 S	10/2002	Walter et al.	
D311,795 S	10/1990	Mannschreck		D466,666 S	12/2002	Vize	
D312,897 S	12/1990	Splane		D468,493 S	1/2003	Chase-Gilpin	
D313,292 S	12/1990	Elrod		6,523,495 B1	2/2003	Rydman	
D314,650 S	2/1991	Pudwill		D471,451 S	3/2003	Hadeler	
D318,152 S	7/1991	Pudwill		D473,351 S	4/2003	Critchley	
D319,117 S	8/1991	Goetz		6,561,130 B1 *	5/2003	Sage, Jr.	A01K 1/0107 119/166
D324,749 S	3/1992	Bray		D478,695 S	8/2003	Molloy	
D329,107 S	9/1992	Hardy		D479,370 S	9/2003	Neves	
D331,649 S	12/1992	Saja		6,662,748 B1	12/2003	Hanks	
D331,824 S	12/1992	Haas		D485,405 S	1/2004	Vize	
D331,990 S	12/1992	Burson		D486,756 S	2/2004	Mondigo et al.	
D332,675 S	1/1993	Simon		D488,277 S	4/2004	Ciocchini	
D340,323 S	10/1993	Wagner		D488,890 S	4/2004	Radde	
D341,539 S	11/1993	Davis et al.		D491,700 S	6/2004	Abajian	
D342,360 S	12/1993	Ticknor		D493,263 S	7/2004	Miller et al.	
D345,635 S	3/1994	Casmira		D496,501 S	9/2004	Walter et al.	
D346,677 S	5/1994	Casmira		D497,691 S	10/2004	Hardt	
D346,887 S	5/1994	Desveaux		D498,025 S	11/2004	Tessier et al.	
D347,304 S	5/1994	Hellem		D501,584 S	2/2005	Abajian	
D351,694 S	10/1994	Evans		D501,962 S	2/2005	Neves	
D358,008 S	5/1995	Keller et al.		6,848,394 B1	2/2005	Sexton	
D361,175 S	8/1995	VanSkiver		6,851,386 B2	2/2005	Northrop et al.	
D361,649 S	8/1995	De La Chevrotiere		D502,576 S	3/2005	Miller et al.	
D364,944 S	12/1995	Blaine		D506,954 S	7/2005	Lara	
D364,945 S	12/1995	Smothers et al.		D510,985 S	10/2005	Sutopo	
D365,682 S	1/1996	Calmiese et al.		D512,542 S	12/2005	Northrop et al.	
D366,102 S	1/1996	Bonnell		D513,817 S	1/2006	Miller et al.	
D366,311 S	1/1996	Bonnell		D514,754 S	2/2006	Northrop et al.	
D366,543 S	1/1996	Lopes		7,011,042 B2	3/2006	Martello et al.	
D368,003 S	3/1996	Simon		D524,492 S	7/2006	Wan et al.	
D370,094 S	5/1996	Kohus		D526,748 S	8/2006	VanSkiver	
D370,095 S	5/1996	Siler		D527,498 S	8/2006	Lewis, II	
D370,316 S	5/1996	Merino		7,082,892 B1	8/2006	Fraser et al.	
D370,317 S	5/1996	Kohus		D528,252 S	9/2006	VanSkiver et al.	
D371,657 S	7/1996	Kirn et al.		D530,458 S	10/2006	Arnim	
D372,565 S	8/1996	Rice		D534,321 S	12/2006	Simpson et al.	
D372,813 S	8/1996	Walter		D534,695 S	1/2007	VanSkiver	
D373,663 S	9/1996	Walter		7,188,583 B2	3/2007	Sage, Jr.	
D376,875 S *	12/1996	Glickstein	D30/118	7,198,006 B2	4/2007	Fischer	
D377,246 S	1/1997	Clenney		D541,995 S	5/2007	Wan	
D377,549 S	1/1997	Long et al.		D554,304 S	10/2007	Gozalbo-Moragrega	
D378,451 S	3/1997	Schmidt		D556,955 S	12/2007	Hanks	
D381,136 S	7/1997	Savicki		D557,867 S	12/2007	Northrop	
D383,262 S	9/1997	Benwell		D563,072 S	2/2008	Zeanah	
D384,462 S	9/1997	Fox et al.		D564,718 S	3/2008	Meyer	
D388,560 S	12/1997	Savicki		D579,158 S	10/2008	Gillis et al.	
D388,912 S	1/1998	Hurst et al.		D591,463 S	4/2009	Plante	
D389,609 S	1/1998	Rose		D601,312 S	9/2009	Pettys	
D392,076 S	3/1998	Goemans		D601,313 S	9/2009	Kim	
D393,111 S	3/1998	Herber		D602,667 S	10/2009	Barbieri	
D398,088 S	9/1998	Angier		D603,112 S	10/2009	Pergolski	
D399,613 S	10/1998	O'Rourke et al.		D605,369 S	12/2009	Petersen	
D400,318 S	10/1998	Lucas		D608,959 S	1/2010	Kim	
D406,923 S *	3/1999	Simpkins	D30/118	D608,967 S	1/2010	Ciocchini	
				D612,113 S	3/2010	Petersen	
				D612,553 S	3/2010	Stetelman	
				D612,554 S	3/2010	Seager et al.	
				D615,250 S	5/2010	Temperino	

(56)

References Cited

U.S. PATENT DOCUMENTS

D616,617 S 5/2010 Cirincione et al.
 7,762,213 B2 7/2010 Cook et al.
 D622,912 S 8/2010 Kanigchulatar
 D622,913 S 8/2010 Schroeder et al.
 D623,807 S 9/2010 Teren
 D624,252 S 9/2010 Hertz
 D625,057 S 10/2010 Teper et al.
 D635,726 S 4/2011 Lawson et al.
 D636,545 S 4/2011 Lawson et al.
 D636,950 S 4/2011 Lawson et al.
 D636,960 S 4/2011 Duvigneau
 D636,961 S 4/2011 Duvigneau
 D638,590 S 5/2011 Lipscomb et al.
 D639,000 S 5/2011 Weber
 D643,986 S 8/2011 Solo et al.
 D643,987 S 8/2011 Solo et al.
 D646,444 S 10/2011 Lawson et al.
 D651,772 S 1/2012 Weber
 D660,524 S 5/2012 Wedding
 D663,081 S 7/2012 Chance et al.
 D664,312 S 7/2012 Bizzle
 D677,012 S 2/2013 Duvigneau
 D678,632 S 3/2013 Chance et al.
 D679,461 S 4/2013 Chance et al.
 D683,192 S * 5/2013 Schwartz D7/629
 D684,733 S 6/2013 Altoon
 D685,147 S 6/2013 Muir
 D685,148 S 6/2013 Khalili
 D685,539 S 7/2013 McPherson

D690,059 S 9/2013 Robbins
 D691,335 S 10/2013 Zettlemoyer
 8,607,738 B2 12/2013 Wilson
 D699,407 S 2/2014 Sikora et al.
 D725,319 S * 3/2015 Olson D30/161
 D741,030 S 10/2015 Cegielski et al.
 D830,009 S * 10/2018 Olson D30/161

OTHER PUBLICATIONS

“Amazon, [online], [site visited Jan. 25, 2018]. Available from Internet, URL:https://www.amazon.com/SmartCat-Corner-Litter-Box-Gray/dp/B0018CJZ32”.
 “Angle litter edge box—Chadog Corporate, [online], [site visited Jan. 25, 2018]. Available from Internet, URL:http://www.chadog.com/cat-litter-boxes-and-accessories/1155-angle-litter-edge-box.html”.
 “Corner Kitty Pet Products, [online], [site visited Jan. 25, 2018]. Available from Internet, URL:http://kitangle.com/productcategory/corner-kitty/?v=402103a963ba”.
 “Ex Parte Quayle Action received for U.S. Appl. No. 29/575,384 dated Mar. 9, 2018.”
 “Notice of Allowance received for U.S. Appl. No. 29/575,384, dated Aug. 14, 2018”.
 “Notice of Allowance received for U.S. Appl. No. 29/490,054 dated Jan. 29, 2015”.
 “Vintage Pie Storage, [online], [site visited Jan. 25, 2018]. Available from Internet, URL:https://www.etsy.com/listing/567252881/vintage-pie-storage-tupperware-modular?show_sold_out_detail=1”.

* cited by examiner

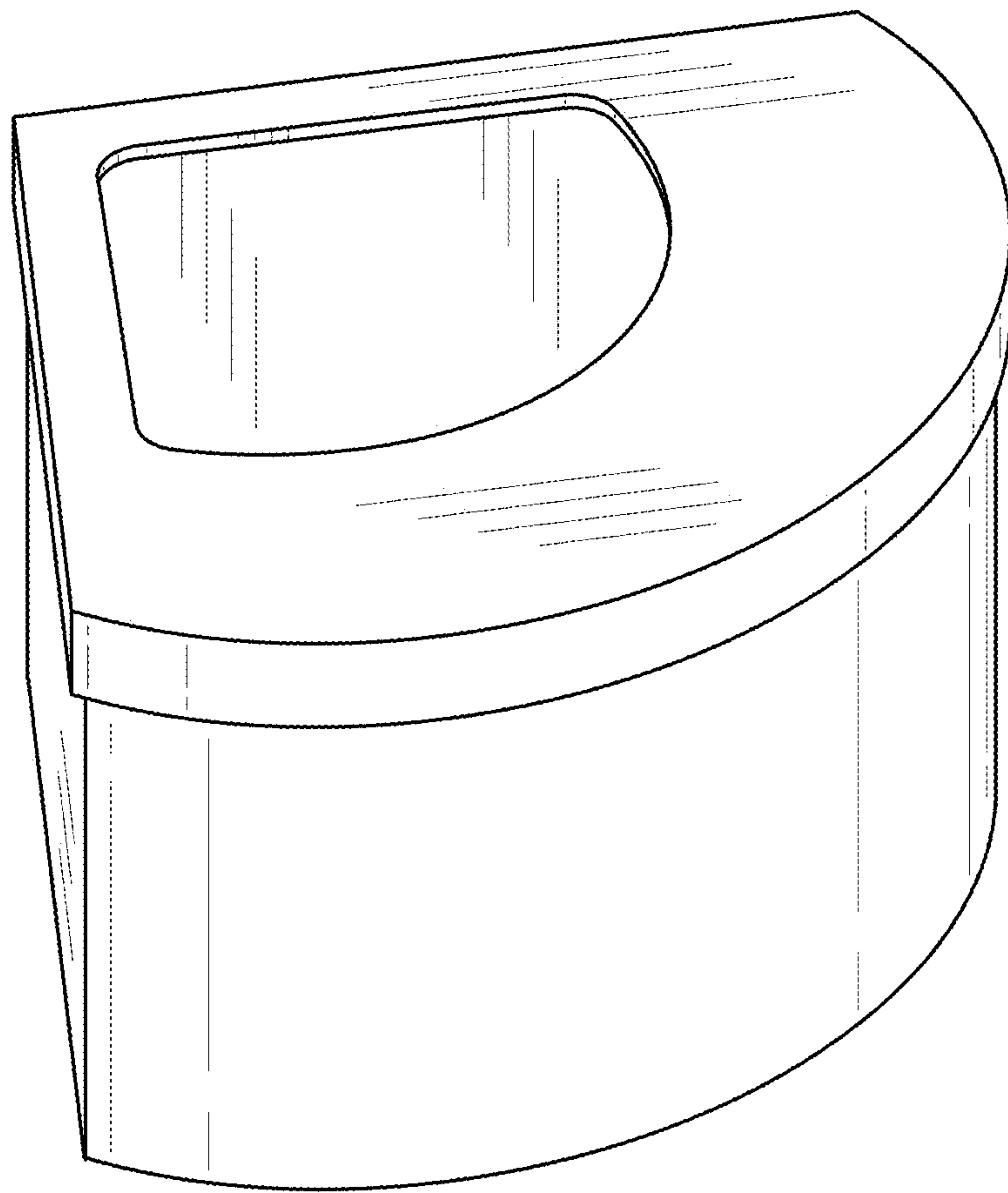


FIG. 1

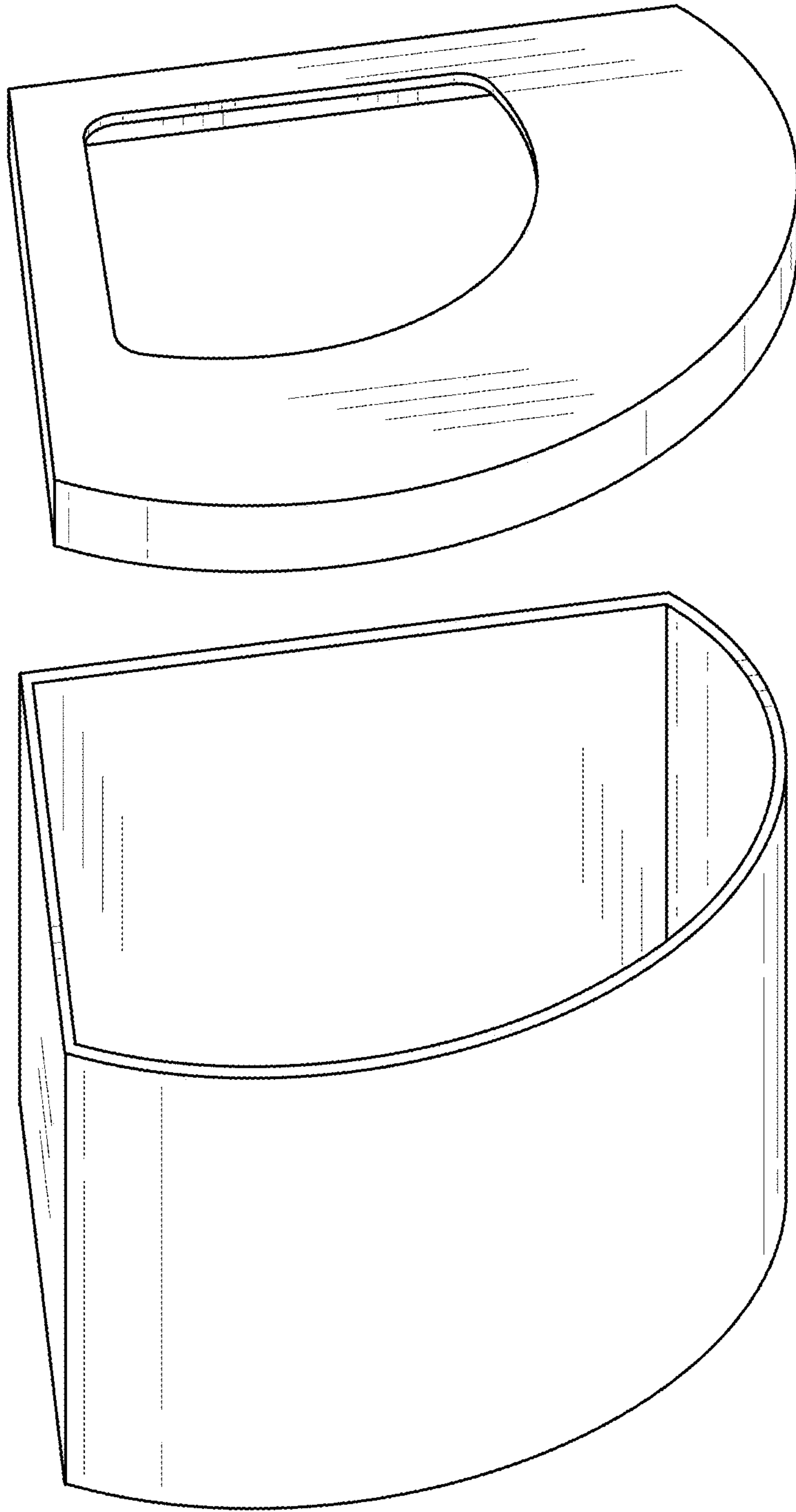


FIG. 2

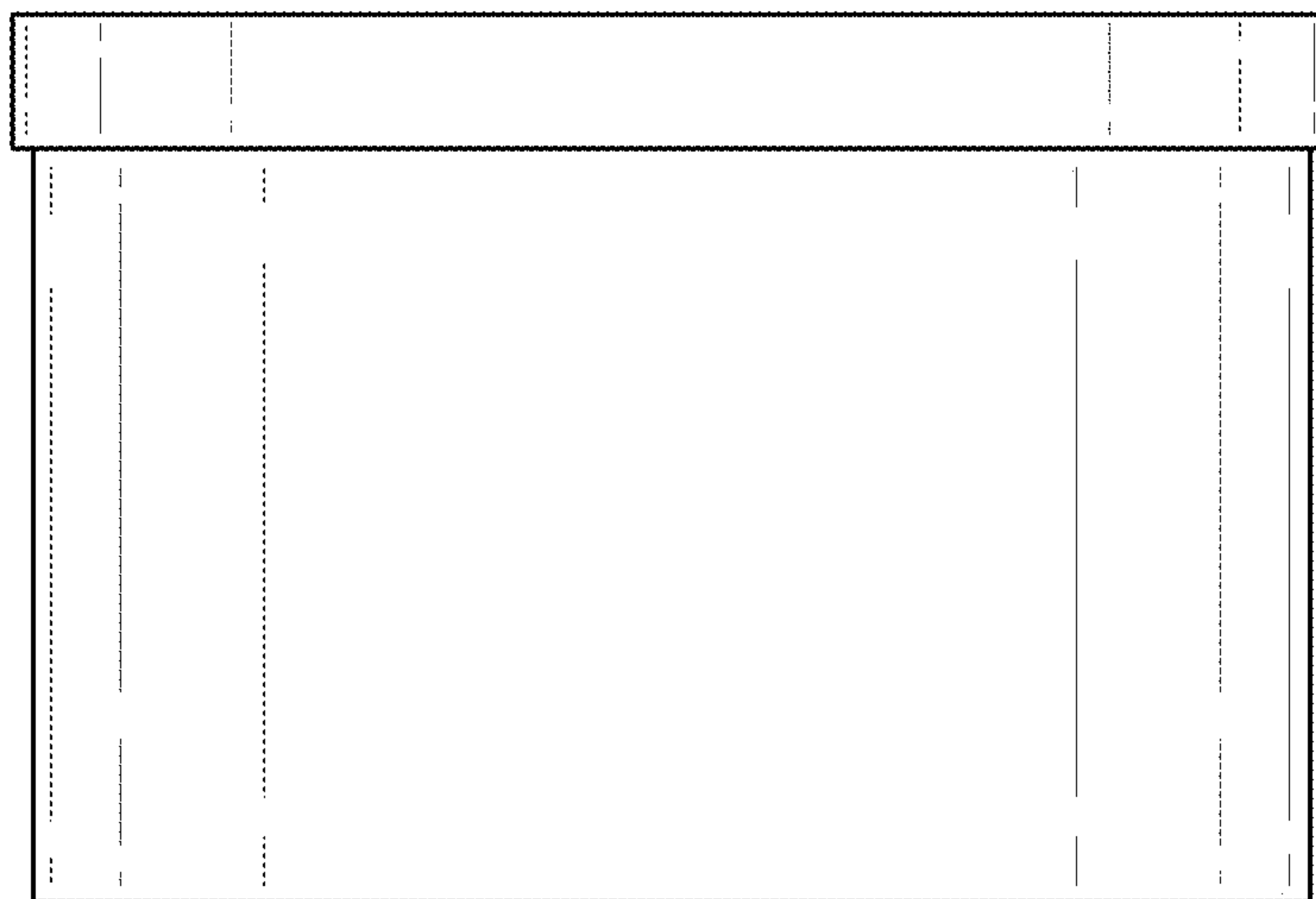


FIG. 3

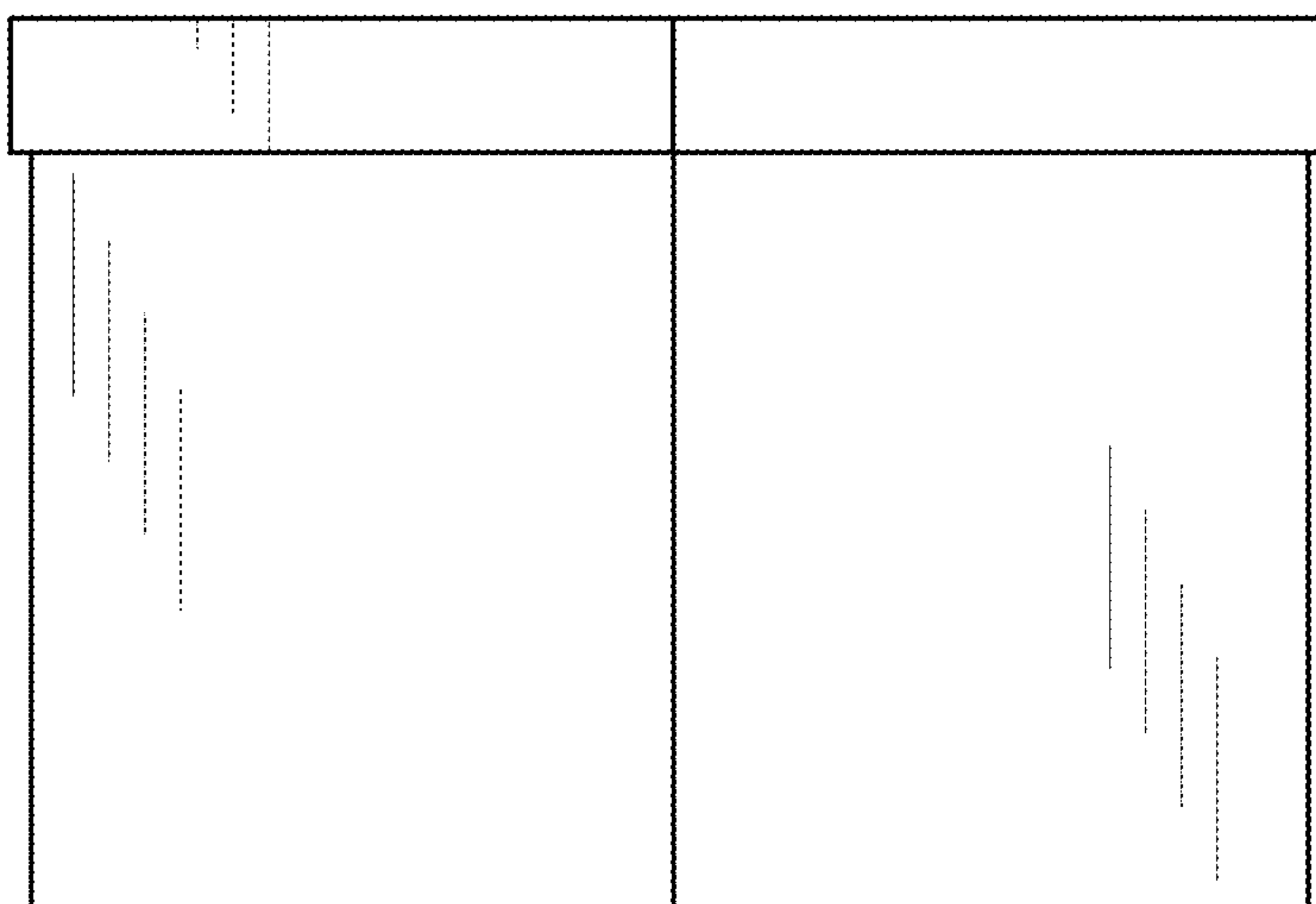


FIG. 4

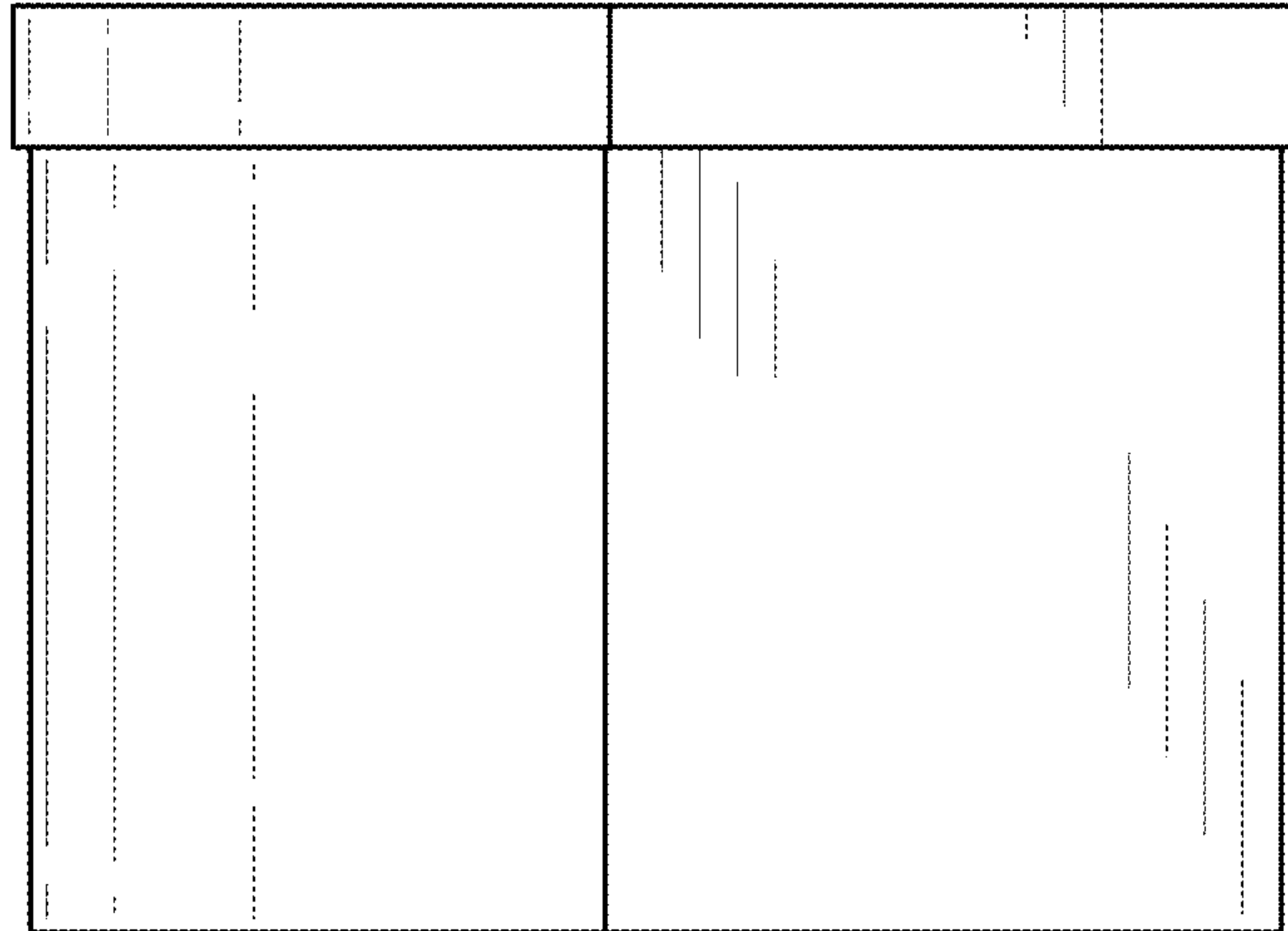


FIG. 5

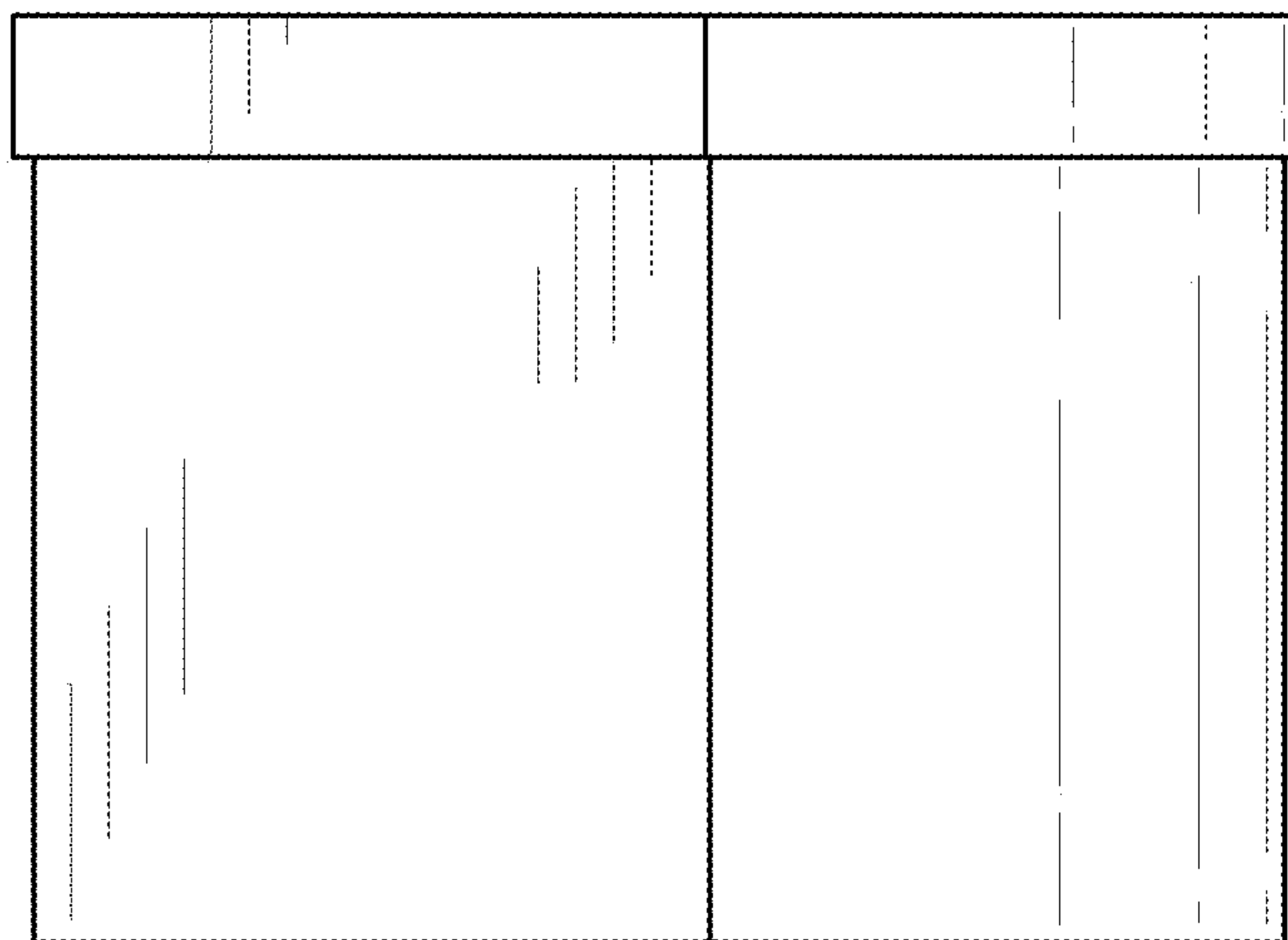


FIG. 6

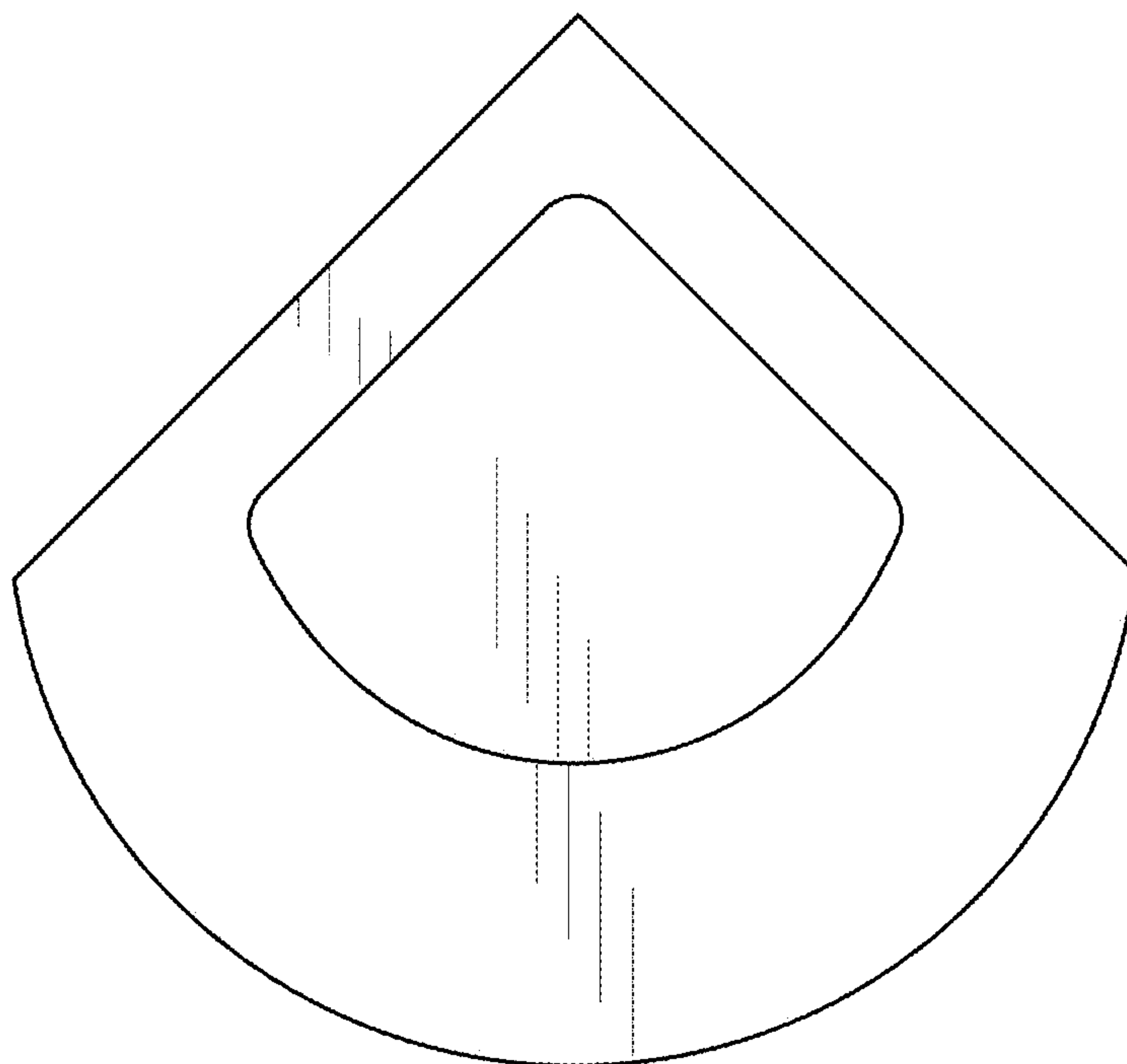


FIG. 7

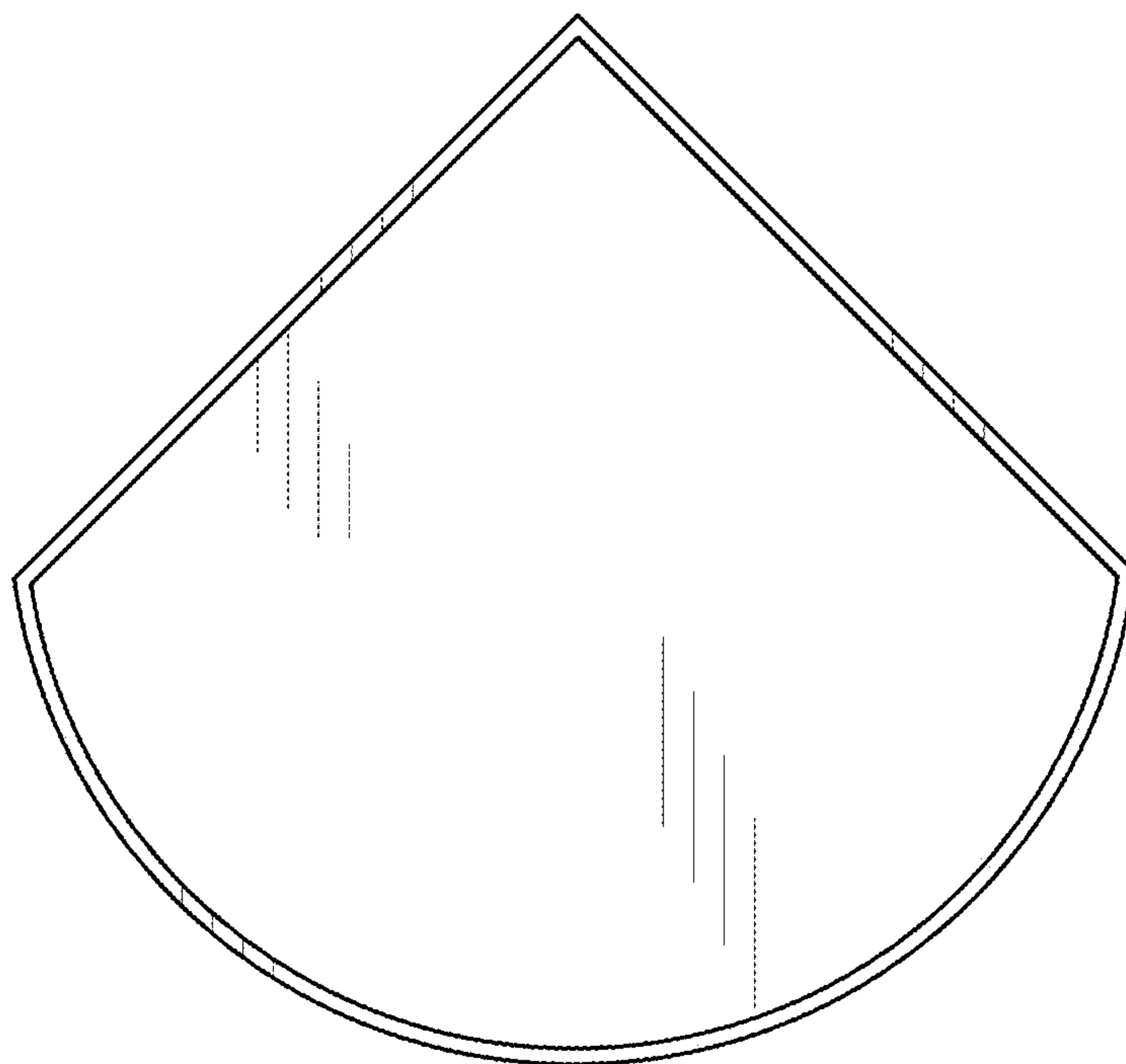


FIG. 8