



US00D893116S

(12) **United States Design Patent**
Wang et al.

(10) **Patent No.:** **US D893,116 S**

(45) **Date of Patent:** **** Aug. 11, 2020**

(54) **PET TOY**

(71) Applicant: **Dongguan Vking Rubber Technology Co., Ltd., Dongguan (CN)**

(72) Inventors: **Yungao Wang, Dongguan (CN);
Guangwei Xie, Dongguan (CN);
Hongqiang Zhang, Dongguan (CN)**

(73) Assignee: **DONGGUAN VKING RUBBER TECHNOLOGY CO., LTD., Dongguan (CN)**

(**) Term: **15 Years**

(21) Appl. No.: **29/677,896**

(22) Filed: **Jan. 24, 2019**

(51) **LOC (12) Cl.** **30-99**

(52) **U.S. Cl.**
USPC **D30/160**

(58) **Field of Classification Search**
USPC D30/160, 161; D21/398, 498, 713;
D1/130; D24/211; 119/707, 709, 711
CPC A01K 15/025; A01K 5/0114
See application file for complete search history.

(56) **References Cited**

U.S. PATENT DOCUMENTS

| | | | | | |
|-----------|-----|---------|------------|-------|------------------------|
| 5,758,604 | A * | 6/1998 | Jørgensen | | A01K 15/025 119/711 |
| D404,681 | S * | 1/1999 | Galerneau | | D11/121 |
| 6,098,571 | A * | 8/2000 | Axelrod | | A01K 15/025 119/707 |
| D497,191 | S * | 10/2004 | Shore | | D21/709 |
| D563,486 | S * | 3/2008 | Slater | | D21/498 |
| D680,698 | S * | 4/2013 | McWilliams | | D30/121 |

| | | | | | |
|--------------|------|---------|--------------|-------|--------------------------|
| D688,836 | S * | 8/2013 | Costello | | D30/160 |
| D707,303 | S * | 6/2014 | Saber | | D21/398 |
| D717,521 | S * | 11/2014 | Slusarczyk | | D1/130 |
| D729,493 | S * | 5/2015 | Slusarczyk | | D1/130 |
| D741,423 | S * | 10/2015 | Holland | | D21/713 |
| D742,601 | S * | 11/2015 | Holterhaus | | D30/121 |
| D786,513 | S * | 5/2017 | Tome | | D30/121 |
| D797,385 | S * | 9/2017 | Hamill | | D30/160 |
| D802,856 | S * | 11/2017 | Hamill | | D30/160 |
| D815,371 | S * | 4/2018 | Christianson | | D30/160 |
| D845,562 | S * | 4/2019 | Lewis | | D30/160 |
| D856,259 | S * | 8/2019 | Li | | D12/328 |
| D870,987 | S * | 12/2019 | Murray | | D30/160 |
| 2011/0185980 | A1 * | 8/2011 | Chefetz | | A01K 29/00 119/709 |
| 2014/0373788 | A1 * | 12/2014 | Ragonetti | | A01K 15/025 119/51.01 |

* cited by examiner

Primary Examiner — Sandra S Snapp

Assistant Examiner — Mehri Bajoul

(74) *Attorney, Agent, or Firm* — Shimokaji IP

(57) **CLAIM**

The ornamental design for a pet toy, as shown and described.

DESCRIPTION

FIG. 1 is a front elevation view of a pet toy showing our design;

FIG. 2 is a rear elevation view thereof;

FIG. 3 is a left side elevation view thereof;

FIG. 4 is a right side elevation view thereof;

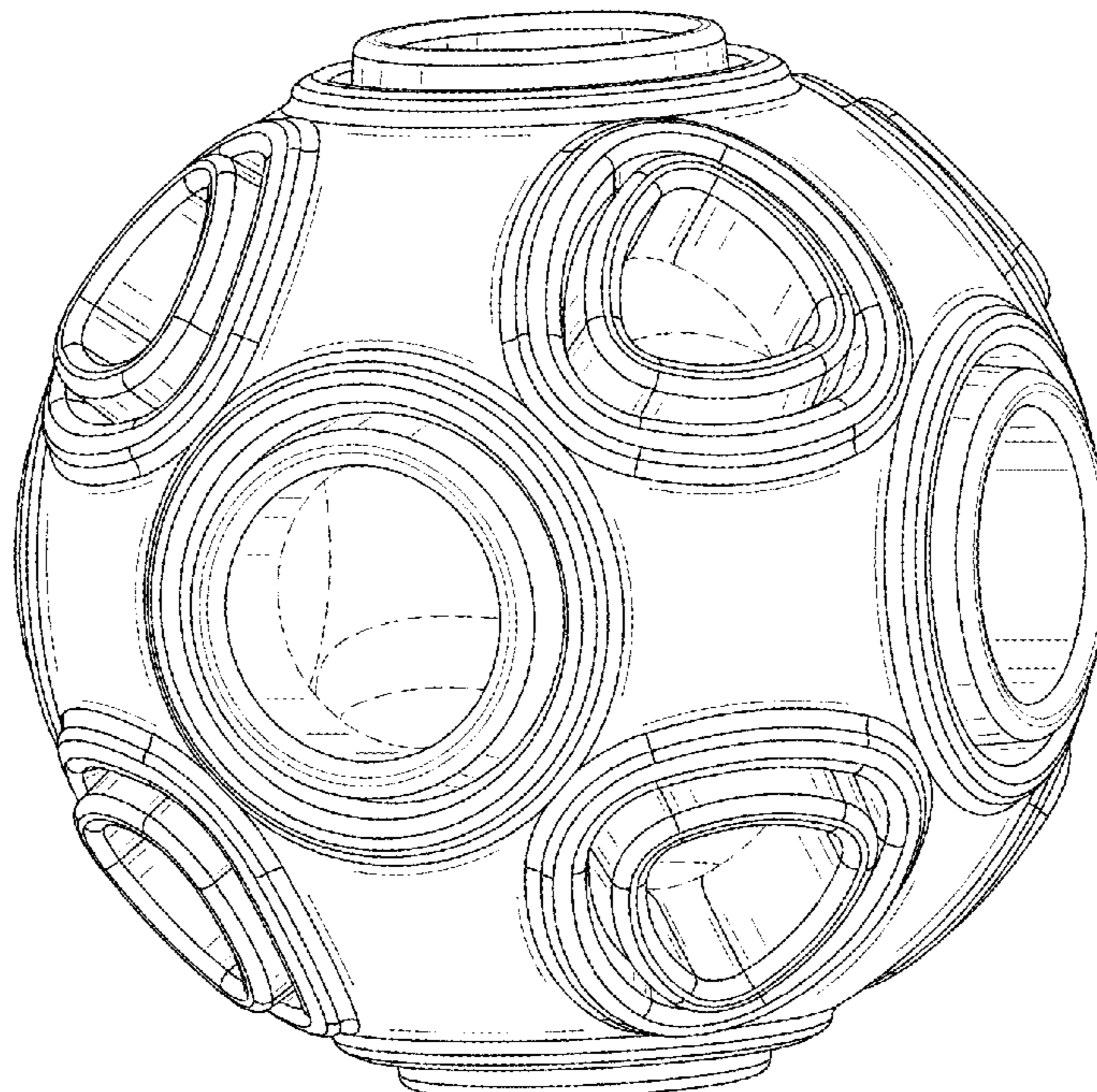
FIG. 5 is a top plan view thereof;

FIG. 6 is a bottom plan view thereof; and,

FIG. 7 is a perspective view thereof.

The broken lines shown in the drawings depict portions of the pet toy that form no part of the claimed design.

1 Claim, 7 Drawing Sheets



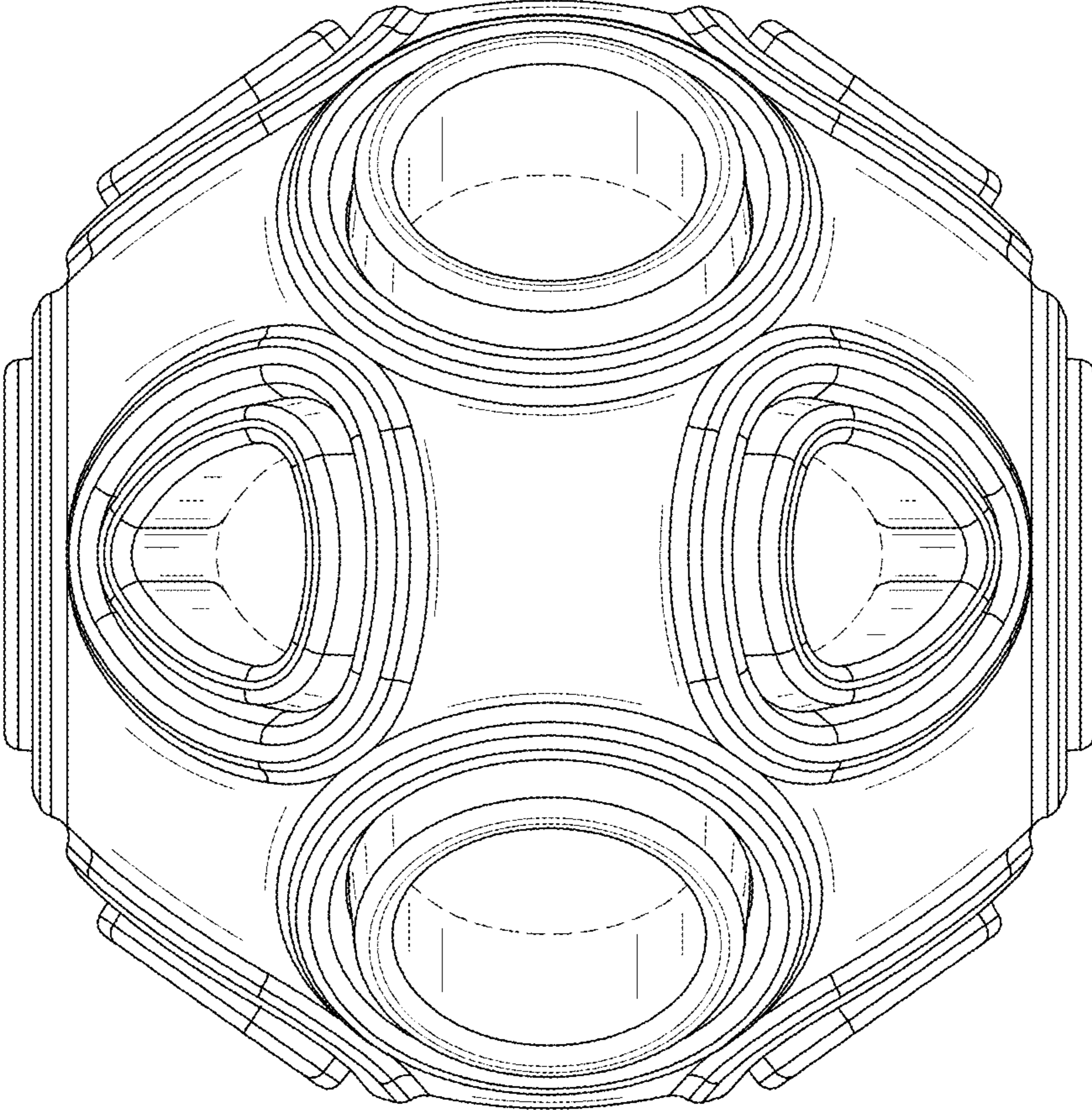


FIG.1

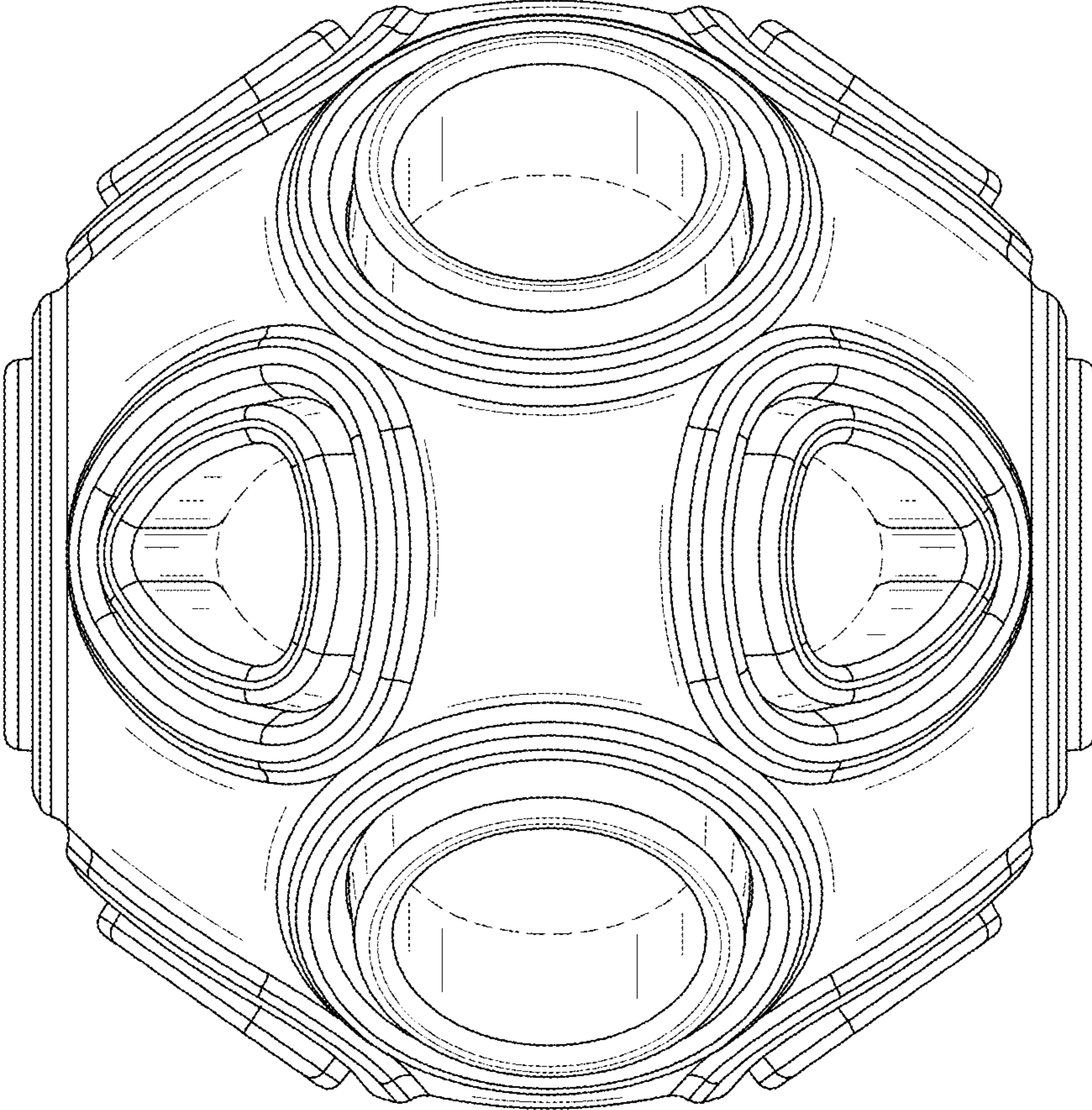


FIG. 2

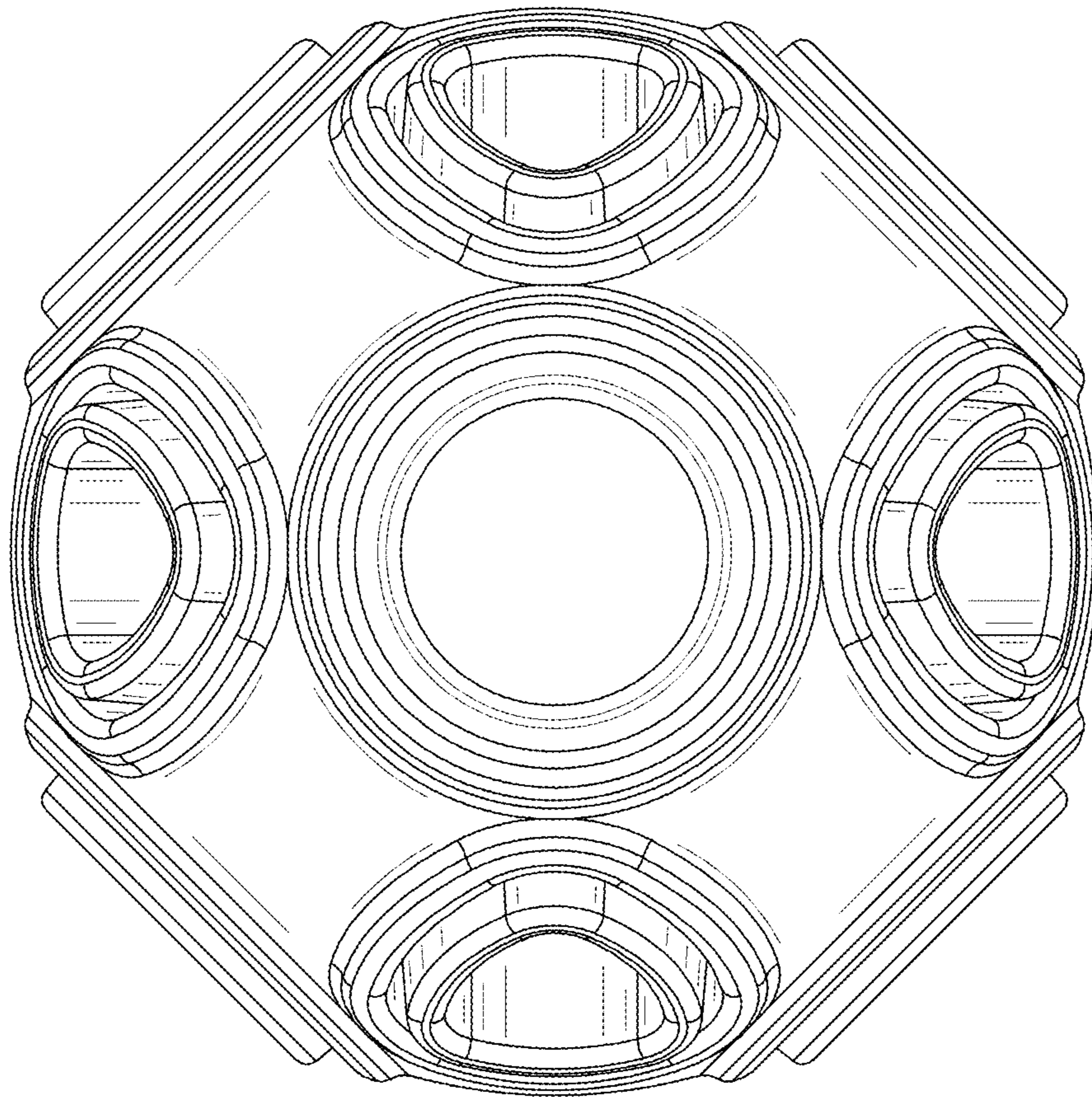


FIG.3

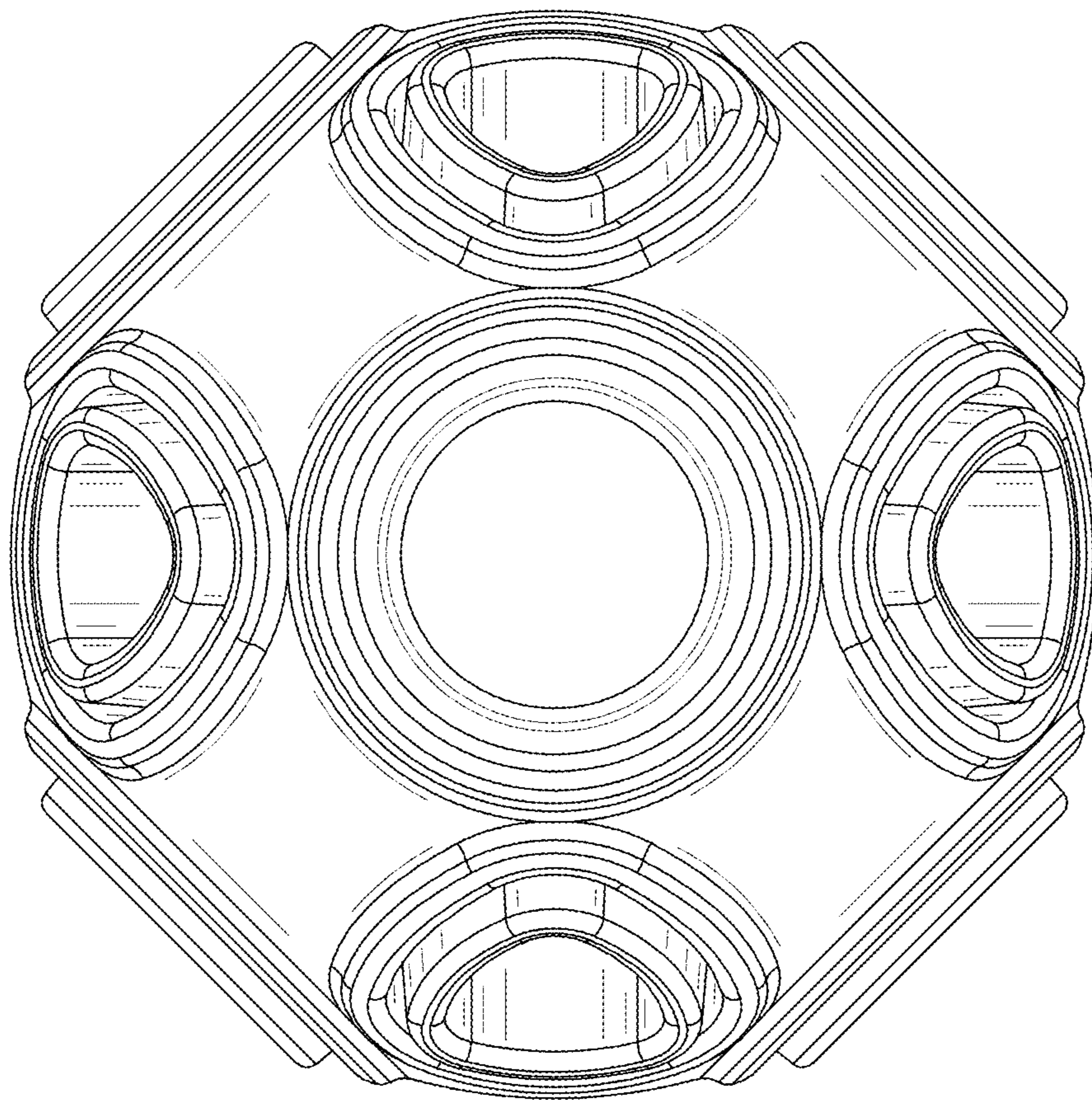


FIG.4

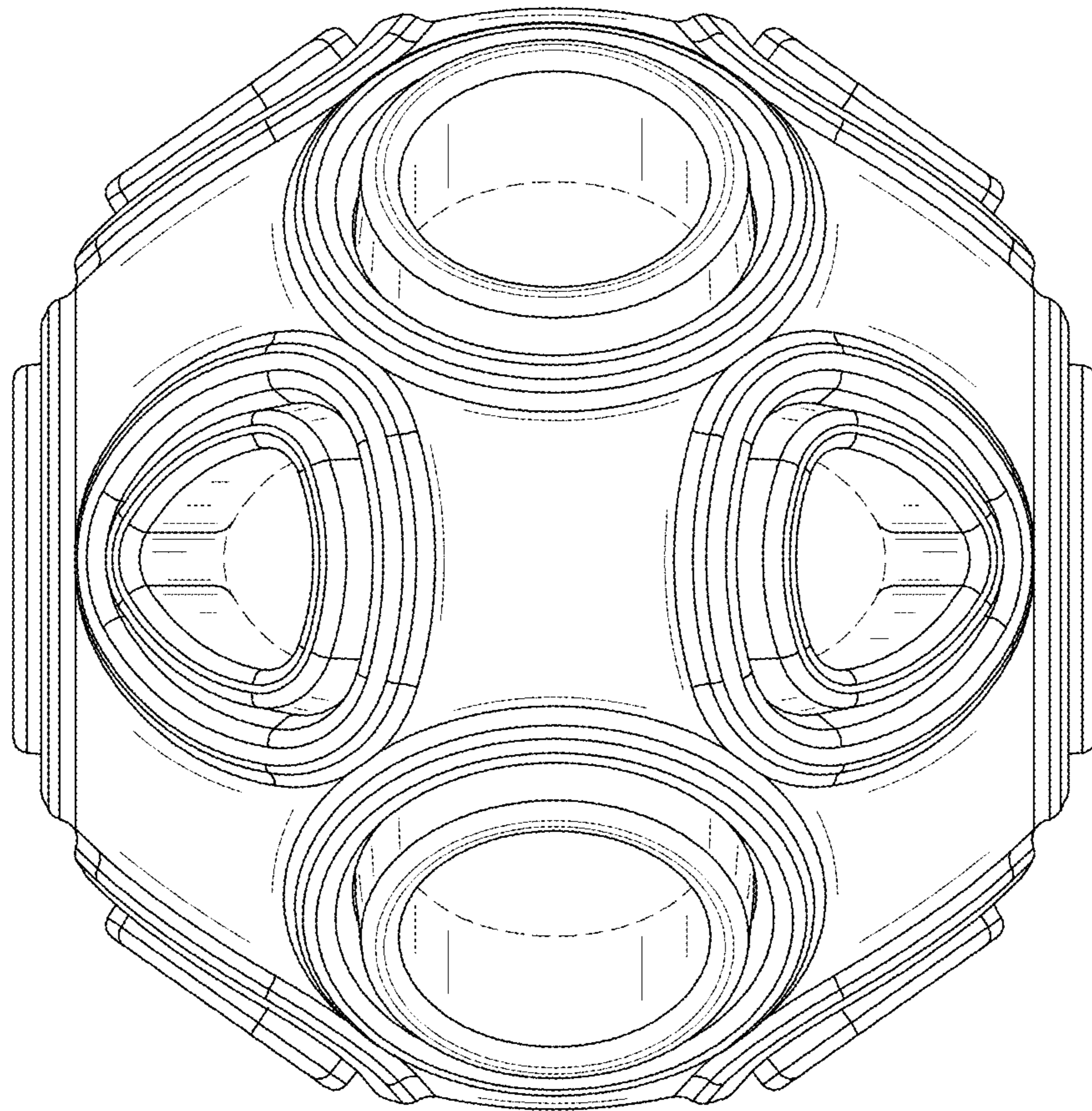


FIG.5

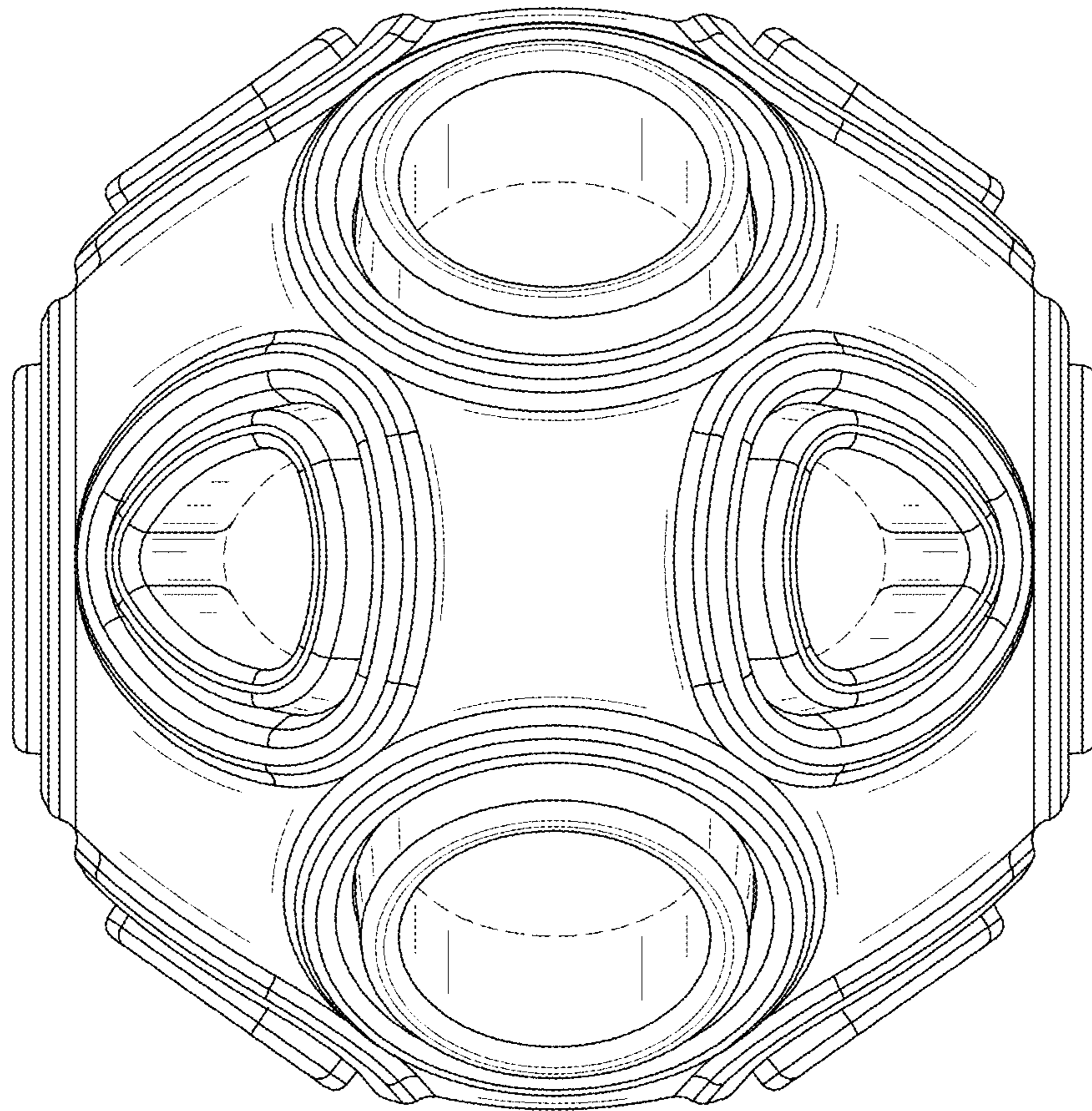


FIG.6

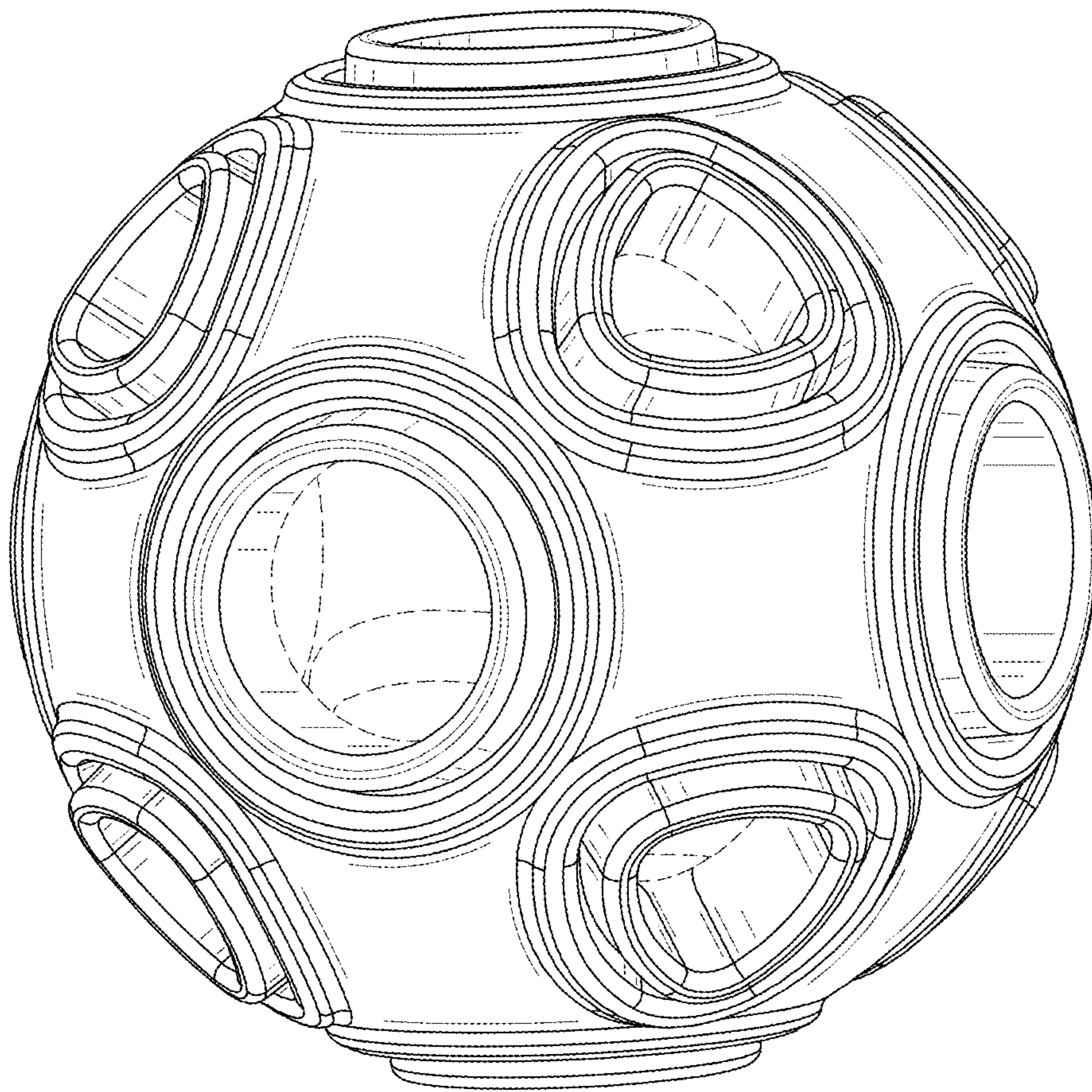


FIG.7