



US00D893112S

(12) **United States Design Patent**
Axelrod et al.

(10) **Patent No.:** **US D893,112 S**
(45) **Date of Patent:** **** Aug. 11, 2020**

(54) **GROOMING TOOL**

(71) Applicant: **FOUR PAWS PRODUCTS, LTD.**,
Neptune City, NJ (US)

(72) Inventors: **Glen S. Axelrod**, Colts Neck, NJ (US);
Ajay Gajria, Maharashtra (IN)

(73) Assignee: **FOUR PAWS PRODUCTS, LTD.**,
Neptune City, NJ (US)

(**) Term: **15 Years**

(21) Appl. No.: **29/624,635**

(22) Filed: **Nov. 2, 2017**

(51) **LOC (12) Cl.** **30-99**

(52) **U.S. Cl.**
USPC **D30/159**

(58) **Field of Classification Search**
USPC D4/132-138, 127, 124-126, 116-119,
D4/199, 194, 100-102, 122; D7/393,
D7/395, 401.2; D8/107, 303; D28/10,
D28/28, 30, 35, 37; 15/143.1, 159.1,
15/160, 186-188, DIG. 5, 191.1, 192,
15/193, 201, 207.2; 16/430; 132/119.1,
132/120, 142, 313, 161, 121, 271, 219,
132/141, 143-144, 137, 123-130, 901,
132/270, 150-155, 147, 148, 139, 158,
132/160, 149, 112-116, 213.1; D30/158,
D30/159; 119/600, 612, 625, 633, 628,
119/632, 631, 611, 601, 605, 606,
119/613-620, 630; 30/114, 130, 301,
30/305, 315, 316, 299, 303, 306, 169,
30/322, 31, 30, 279.2, 280, 287, 294,
30/199, 329-344, 346.56, 346.61, 355,
30/357, 34.05

CPC A46B 1/00; A46B 3/00; A46B 3/20; A46B
3/22; A46B 5/0008; A46B 5/028; A46B
5/00; A46B 5/02; A46B 5/021; A46B
5/023; A46B 5/025; A46B 5/026; A46B
9/00; A46B 9/005; A46B 9/02; A46B
9/023; A46B 9/025; A46B 9/026; A46B
2200/00; A46B 2200/10; A46B 2200/102;

A46B 2200/104; A46B 2200/1093; A46D
1/00; Y10S 15/05; A01K 13/00; A01K
13/002; A01K 13/003; A45D 24/30;
A45D 24/00; A45D 24/04; A45D 24/10;
A45D 24/36; A45D 24/02; A45D 24/08;
A45D 24/42; A45D 24/44; A45D
2024/002; B26B 19/24; B26B 19/063;
B26B 21/16; B26B 21/18; B26B 21/521;
B26B 21/4075; B26B

(Continued)

(56) **References Cited**

U.S. PATENT DOCUMENTS

792,887 A * 6/1905 Erstling A45D 24/04
132/151
D64,611 S * 5/1924 Trachtenberg D28/25

(Continued)

Primary Examiner — Susan Moon Lee

(74) *Attorney, Agent, or Firm* — Grossman, Tucker,
Perreault & Pfleger, PLLC

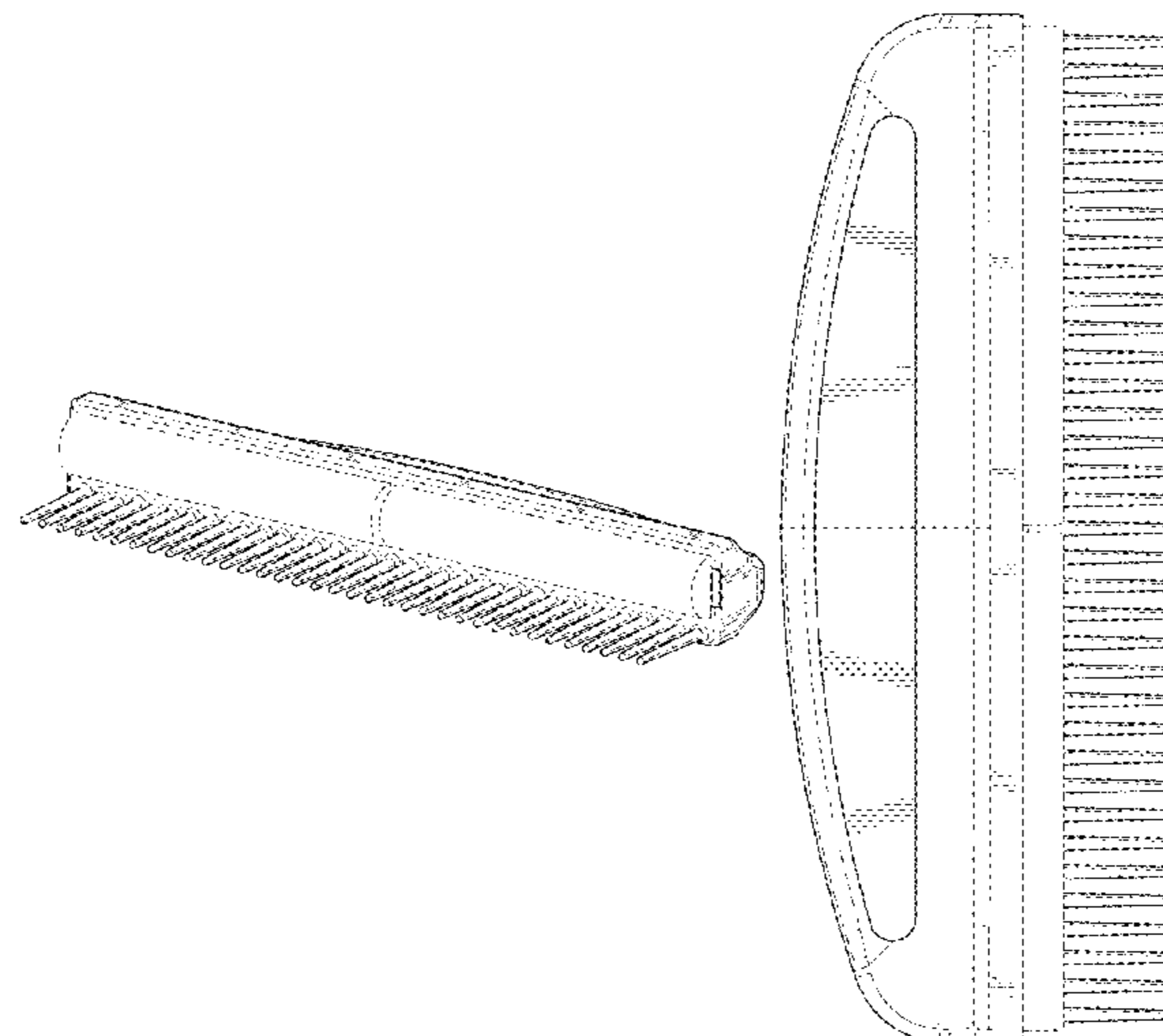
(57) **CLAIM**

We claim the ornamental design for a grooming tool, as
shown and described.

DESCRIPTION

FIG. 1 is a perspective view of a grooming tool of the
present invention;
FIG. 2 is a front view thereof;
FIG. 3 is a back view thereof;
FIG. 4 is a right side view thereof;
FIG. 5 is a left side view thereof;
FIG. 6 is a top view thereof;
FIG. 7 is a bottom view thereof; and,
FIG. 8 is an exploded perspective view thereof.
The broken lines depict exemplary environment and com-
ponents for purposes of illustration and form no part of the
design claim.

1 Claim, 7 Drawing Sheets



US D893,112 S

Page 2

(58) **Field of Classification Search**

CPC 21/522; B26B 21/12; B26B 21/125; B26B
1/08

See application file for complete search history.

(56) **References Cited**

U.S. PATENT DOCUMENTS

2,430,303 A * 11/1947 Ruhl A45D 24/24
119/632
D177,682 S * 5/1956 Kahn D4/117
3,165,831 A * 1/1965 Carrol A45D 24/36
30/30
3,481,345 A * 12/1969 Cournoyer A45D 8/12
132/149
3,536,080 A * 10/1970 Legan B26B 21/12
132/213.1
3,690,331 A * 9/1972 Messer A45D 24/16
132/120
4,237,822 A * 12/1980 Kaiser, Jr. A01K 13/002
119/603
4,346,721 A * 8/1982 Molaro A46B 15/0055
132/313
D270,105 S * 8/1983 Erickson D32/42
4,401,129 A * 8/1983 Luque B26B 21/125
132/213.1
D275,804 S * 10/1984 Saferstein D28/30
4,671,303 A * 6/1987 Saferstein A45D 24/30
119/625
5,095,853 A * 3/1992 Kruger A01K 13/002
119/606
D353,915 S * 12/1994 Lanne D28/31

5,794,348 A * 8/1998 Scott B26B 21/12
30/195
5,870,851 A * 2/1999 Shoemaker A01K 13/002
119/626
D428,315 S * 7/2000 Baker D8/14
D490,194 S * 5/2004 Plante A01K 13/002
D30/159
6,733,056 B2 * 5/2004 Daniele A47F 13/08
294/180
6,796,000 B2 * 9/2004 Varner A47L 1/06
15/143.1
D507,682 S * 7/2005 Dunn D30/158
D508,299 S * 8/2005 Dunn D30/158
D509,032 S * 8/2005 Dunn D30/158
7,040,021 B2 * 5/2006 Talavera B26B 19/16
30/124
D582,103 S * 12/2008 Ragonetti D30/158
7,757,336 B2 * 7/2010 Varner A47L 1/06
15/143.1
D625,064 S * 10/2010 Lee D32/41
D666,374 S * 8/2012 Angel D32/41
8,555,463 B1 * 10/2013 Laube A01K 13/001
119/606
8,627,830 B1 * 1/2014 Becker A45D 24/10
132/148
D703,879 S * 4/2014 Green D30/158
8,967,157 B2 * 3/2015 Steiner A45D 24/10
132/150
9,084,410 B2 * 7/2015 Whitman A01K 13/002
D764,127 S * 8/2016 Vicari D32/41
D798,000 S * 9/2017 Knoll D30/159
10,131,062 B1 * 11/2018 Dryfhout B26B 21/125
D864,484 S * 10/2019 Talavera D28/53
2017/0071156 A1 * 3/2017 Cafasso B25G 3/26

* cited by examiner

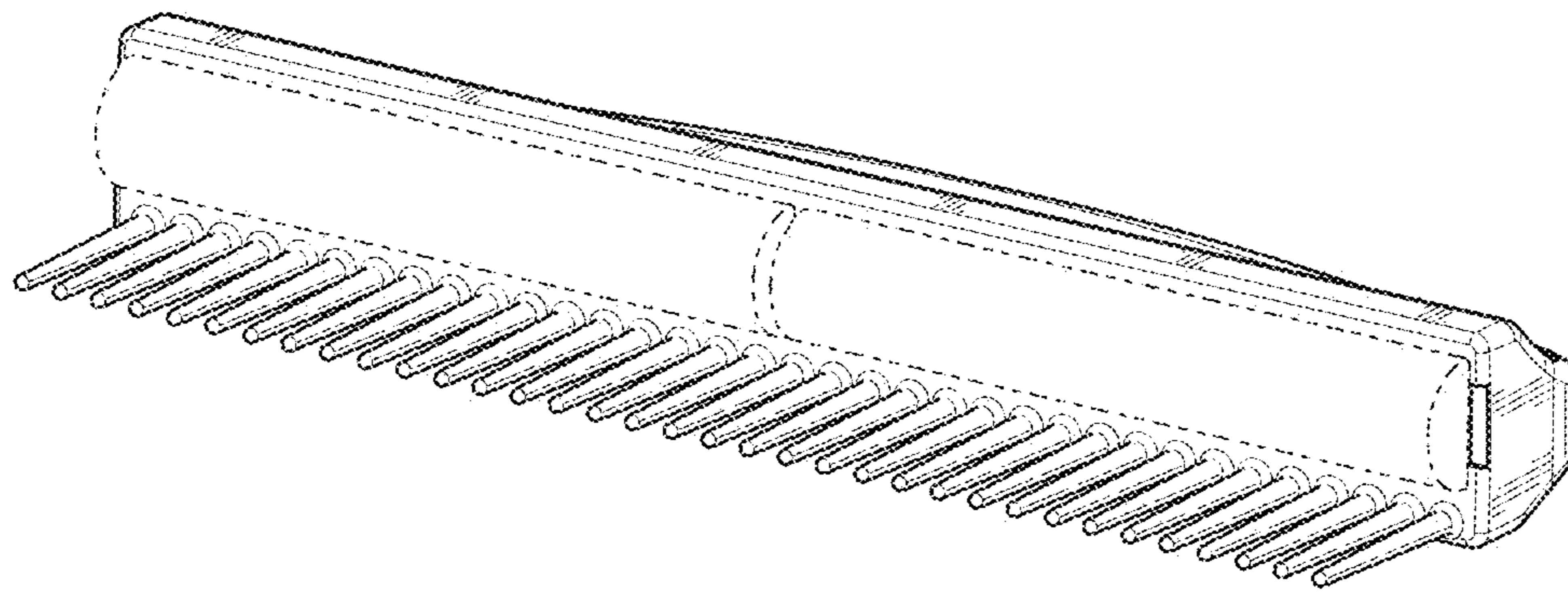


FIG. 1

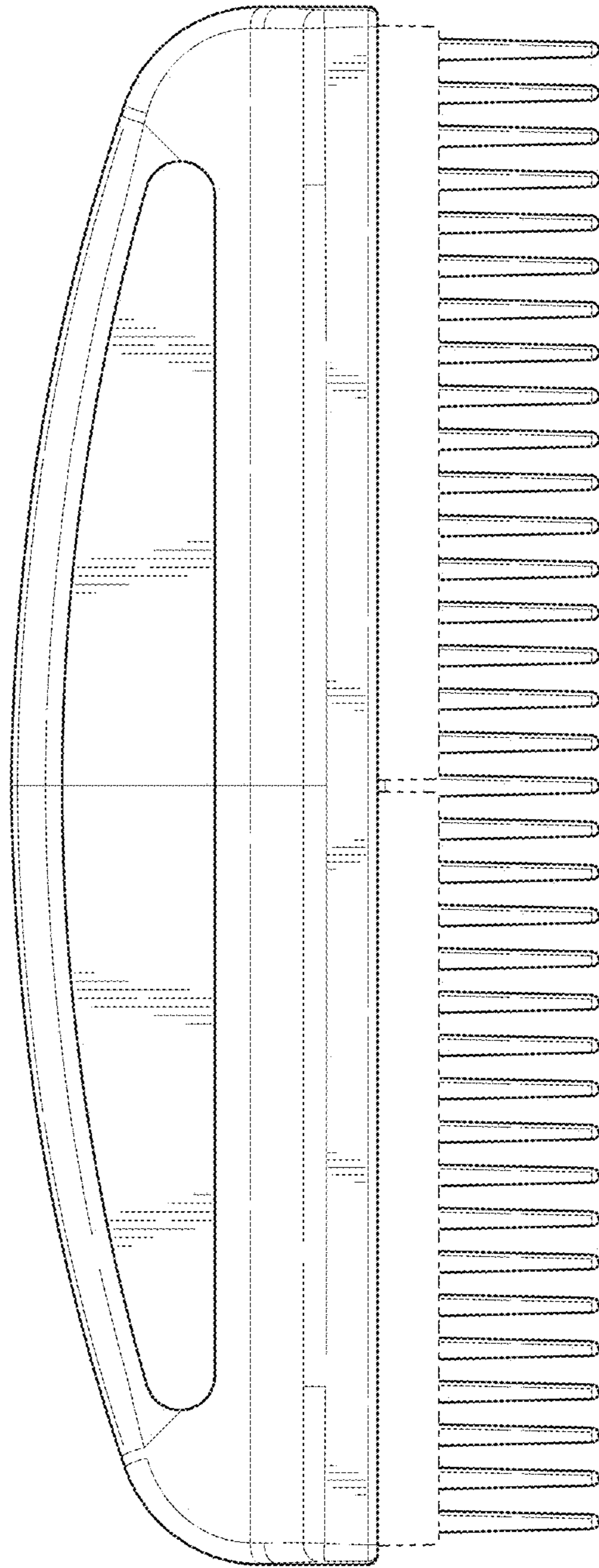


FIG. 2

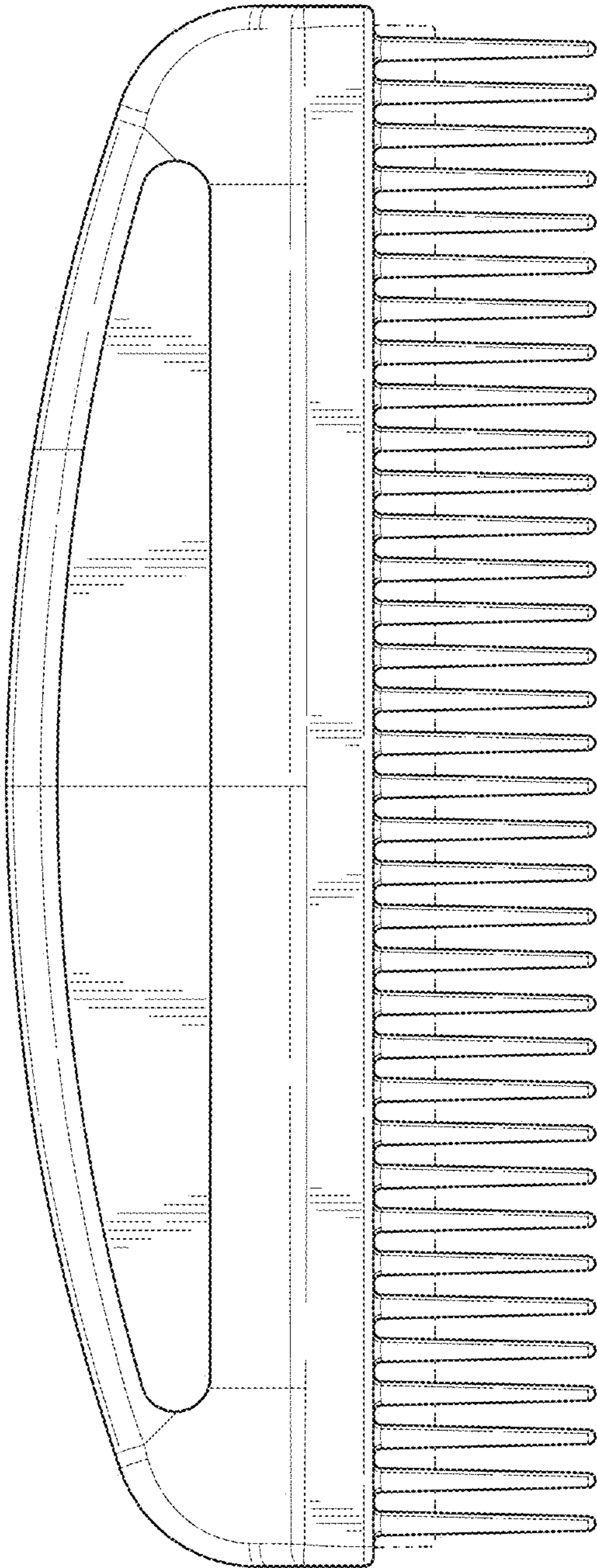


FIG. 3

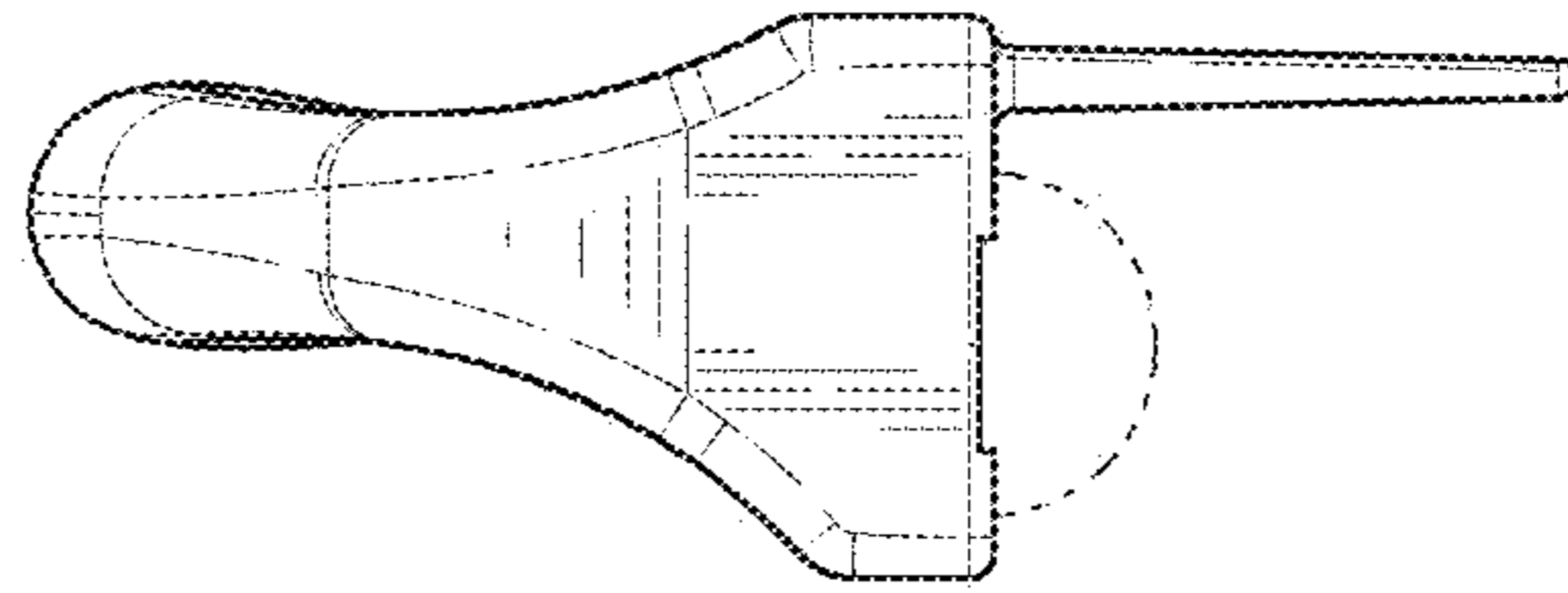


FIG. 4

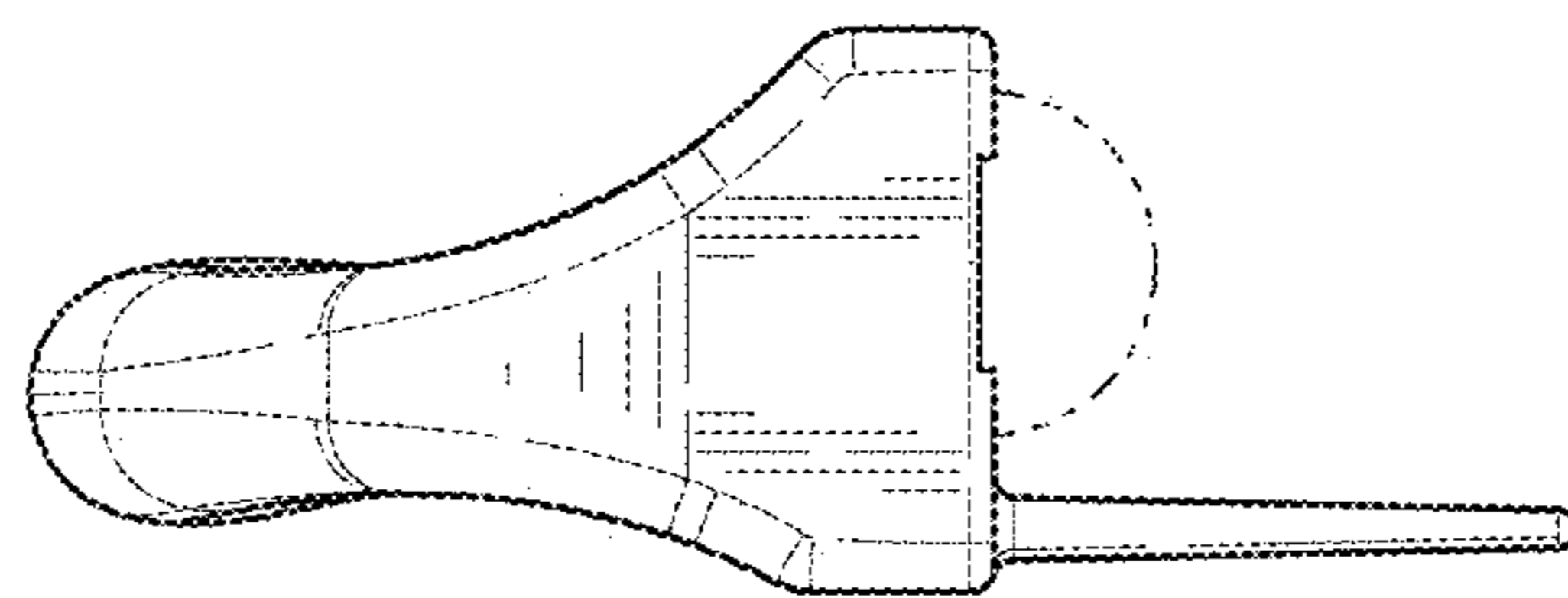


FIG. 5

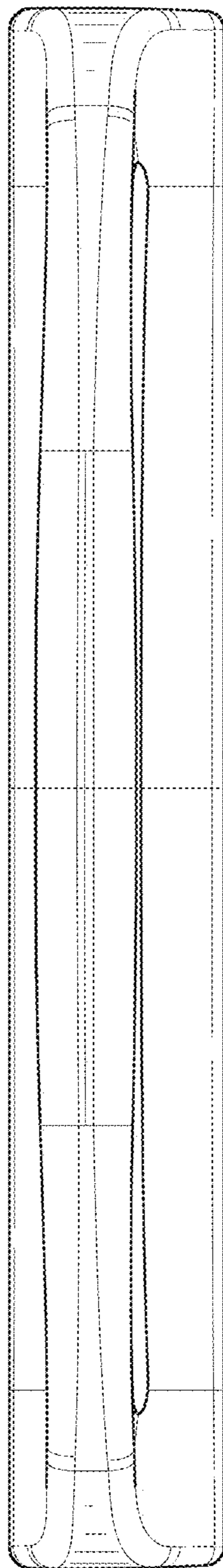


FIG. 6

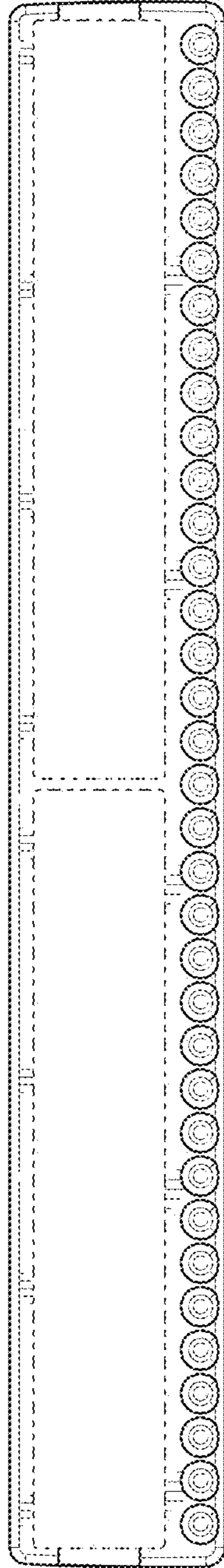


FIG. 7

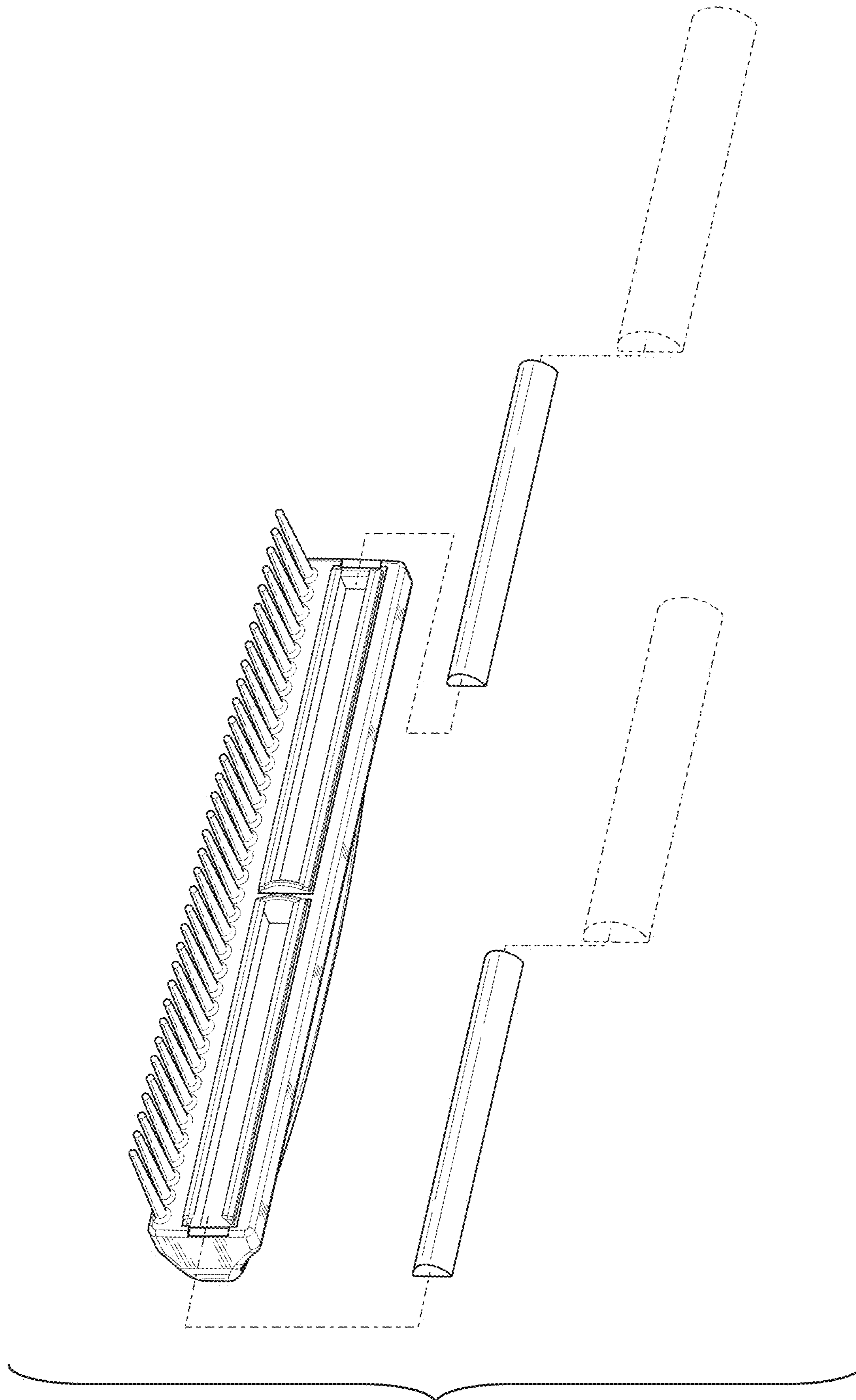


FIG. 8