



US00D893100S

(12) **United States Design Patent**
Thurswell et al.

(10) **Patent No.:** **US D893,100 S**
(45) **Date of Patent:** **** Aug. 11, 2020**

- (54) **PONYTAIL VOLUMIZER**
- (71) Applicant: **Wouldn't It Be Nice LLC**, Plymouth, MI (US)
- (72) Inventors: **Cassandra Thurswell**, Los Angeles, CA (US); **Ashley Salassi Hunker**, Los Angeles, CA (US); **Stephan Hunker**, Los Angeles, CA (US)
- (73) Assignee: **Wouldn't It Be Nice LLC**, Plymouth, MI (US)
- (**) Term: **15 Years**
- (21) Appl. No.: **29/725,527**
- (22) Filed: **Feb. 25, 2020**
- (51) **LOC (12) Cl.** **28-03**
- (52) **U.S. Cl.**
USPC **D28/43**
- (58) **Field of Classification Search**
USPC D28/31-34, 39-43; D19/34, 65; D8/395; D9/434, 443
CPC ... A45D 8/24; A45D 8/26; A45D 8/28; A45D 8/30; A45D 8/32; A45D 8/34; A45D 8/36; A45D 8/38; A45D 8/40
See application file for complete search history.

- 5,664,589 A 9/1997 Black
 - 5,706,836 A 1/1998 McKeown
 - 5,826,598 A 10/1998 Meehan
 - 6,311,699 B1 11/2001 Horman
 - 7,017,589 B1 3/2006 Minelli
 - D587,402 S * 2/2009 Priester D2/889
 - D588,341 S * 3/2009 Turner D2/891
 - 7,963,289 B1 6/2011 King
- (Continued)

FOREIGN PATENT DOCUMENTS

- EP 2916683 B1 7/2018
 - GB 2510906 A 8/2014
- (Continued)

Primary Examiner — Zenia I Bennett
(74) *Attorney, Agent, or Firm* — Brooks Kushman P.C.

(57) **CLAIM**

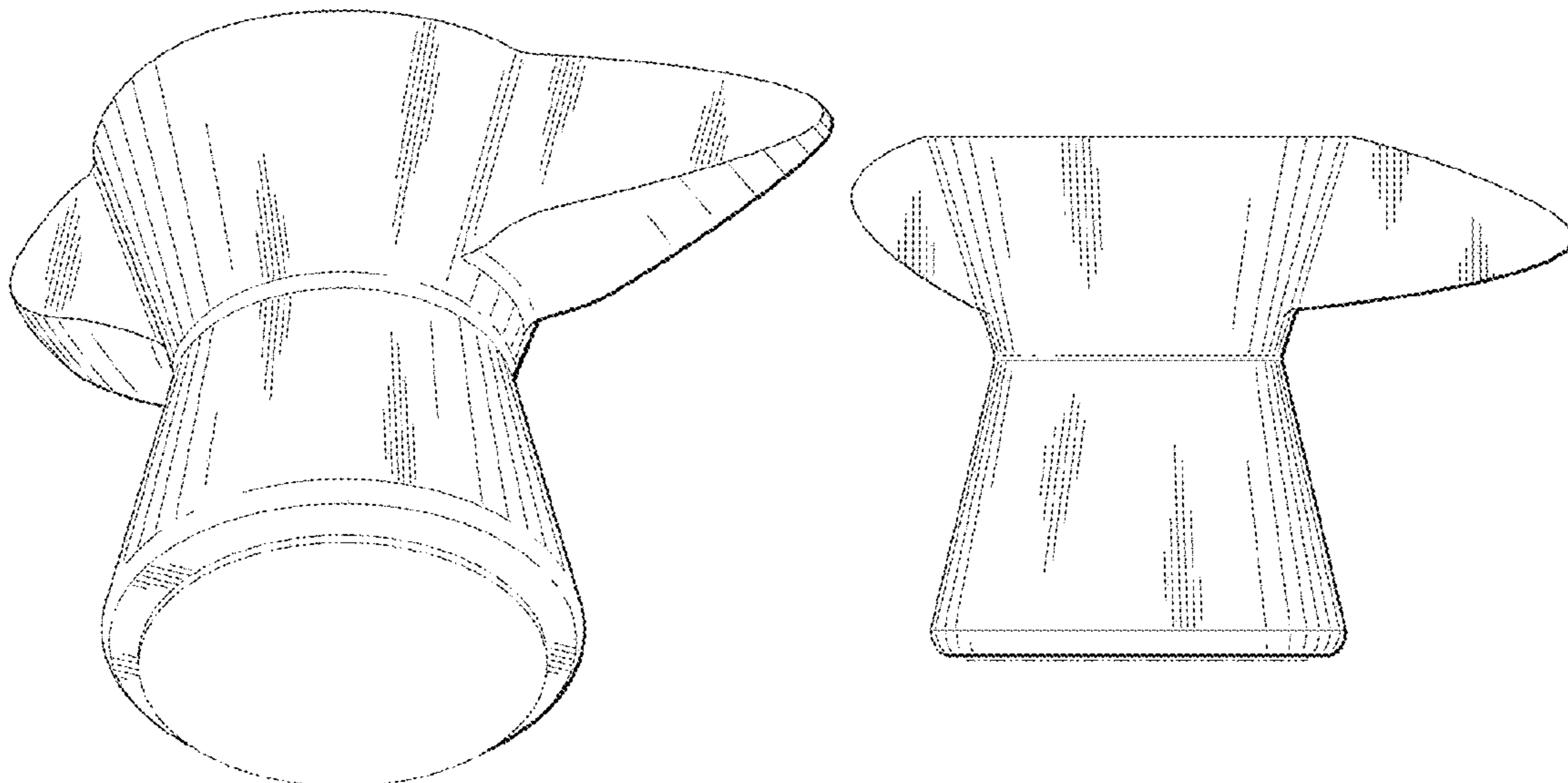
The ornamental design for a ponytail volumizer, as shown and described.

DESCRIPTION

FIG. 1 is a front perspective view of a ponytail volumizer according to an embodiment;
 FIG. 2 is a top elevational view of the ponytail volumizer of FIG. 1;
 FIG. 3 is a bottom elevational view of the ponytail volumizer of FIG. 1;
 FIG. 4 is a front elevational view of the ponytail volumizer of FIG. 1;
 FIG. 5 is a back elevational view of the ponytail volumizer of FIG. 1;
 FIG. 6 is a right side view of the ponytail volumizer of FIG. 1; and,
 FIG. 7 is a left side view of the ponytail volumizer of FIG. 1.
 The broken lines are for illustrative purposes only and form no part of the claimed design.

1 Claim, 4 Drawing Sheets

- (56) **References Cited**
U.S. PATENT DOCUMENTS
- | | | |
|-------------|---------|------------|
| 537,542 A | 4/1895 | Moore |
| 754,206 A | 3/1904 | Edgar |
| 2,388,628 A | 11/1945 | Wormington |
| 2,537,728 A | 1/1951 | Wright |
| 2,682,878 A | 7/1954 | Pisciotta |
| 2,825,344 A | 3/1958 | Lenois |
| 3,388,709 A | 6/1968 | Morris |
| 3,533,418 A | 10/1970 | DeMestral |
| 3,747,610 A | 7/1973 | Serrat |
| D248,075 S | 6/1978 | Daenen |
| 5,289,834 A | 3/1994 | Lawrence |



(56)

References Cited

U.S. PATENT DOCUMENTS

D657,197	S	4/2012	McCleary	
D680,690	S *	4/2013	Shyu	D28/41
8,505,555	B1	8/2013	Lightfoot-Martin	
8,671,957	B1	3/2014	James	
8,678,017	B2	3/2014	Arpey et al.	
D764,099	S	8/2016	Boss	
9,591,907	B2	3/2017	Johnson et al.	
D832,683	S *	11/2018	Belt	D8/356
10,413,032	B2	9/2019	Keenan	
10,413,033	B1	9/2019	Silva	
2009/0248748	A1	10/2009	Shahmoradian	
2009/0255030	A1	10/2009	Guy	
2009/0288673	A1	11/2009	Park	
2010/0012140	A1	1/2010	Fitzpatrick	
2011/0180094	A1	7/2011	Greenwald	
2012/0186601	A1	7/2012	Ungar et al.	
2013/0247930	A1	9/2013	Norman	
2015/0040935	A1	2/2015	Sumpter et al.	
2015/0250283	A1	9/2015	Alas et al.	
2016/0066671	A1	3/2016	Astwood	
2016/0088916	A1	3/2016	Johnson et al.	
2016/0242522	A1	8/2016	Reile	
2016/0270502	A1	9/2016	Keenan	
2017/0099926	A1	4/2017	Lutton	
2017/0325562	A1	11/2017	Musiol	
2019/0261713	A1	8/2019	Johnson	

FOREIGN PATENT DOCUMENTS

JP	2005066283	A	3/2005
JP	5792470	B2	10/2015
WO	2005117638	A1	12/2005

* cited by examiner

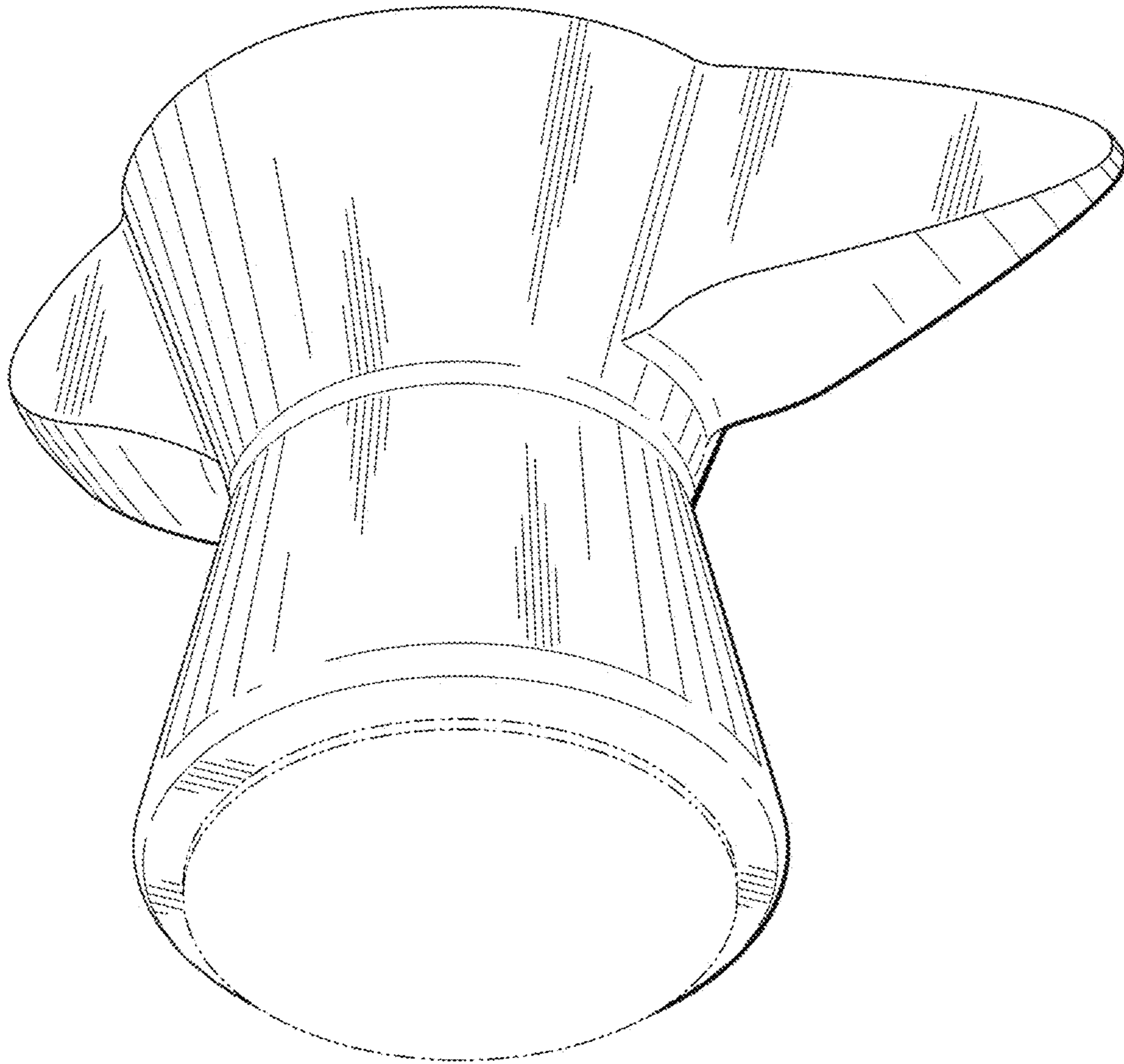


FIG. 1

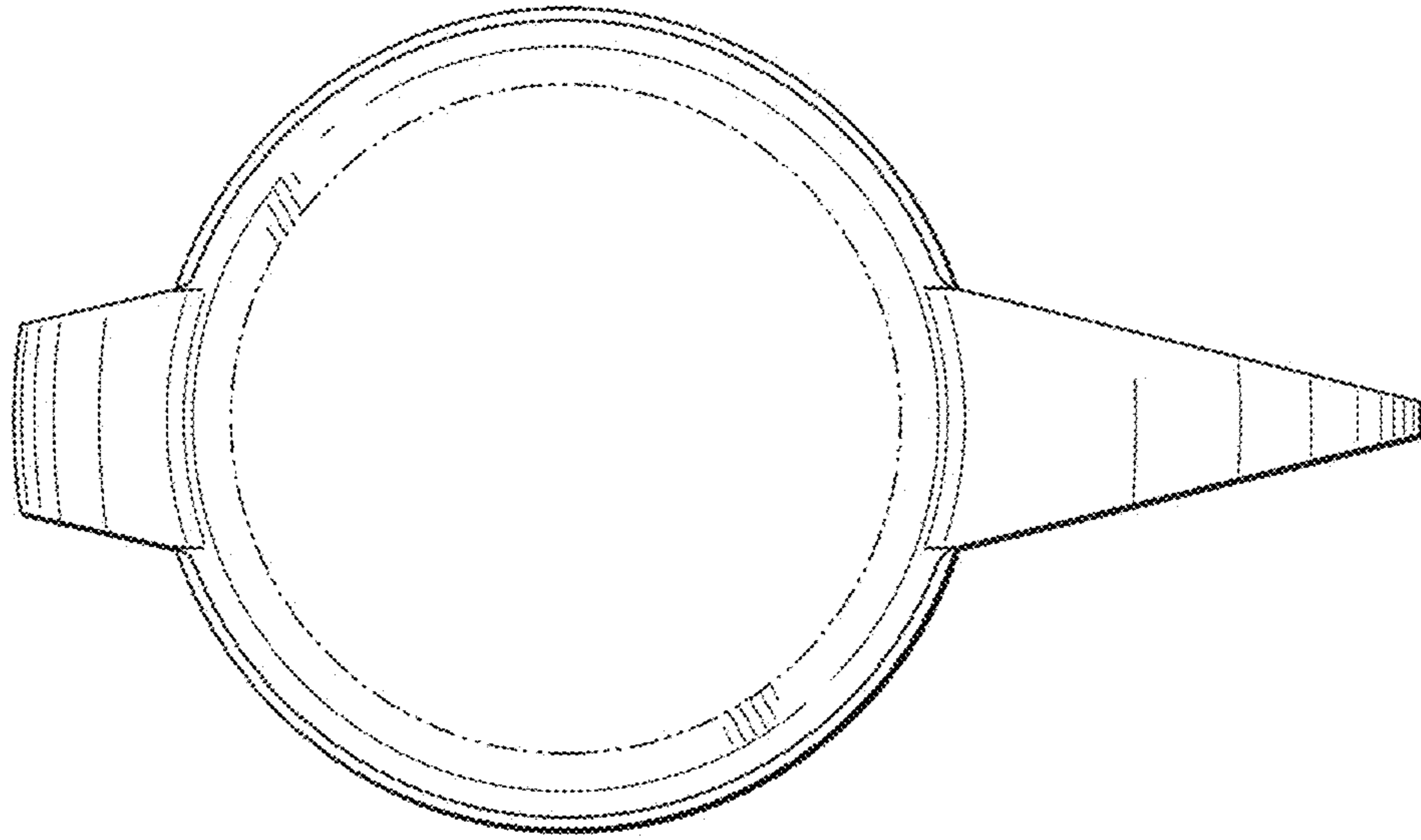


FIG. 2

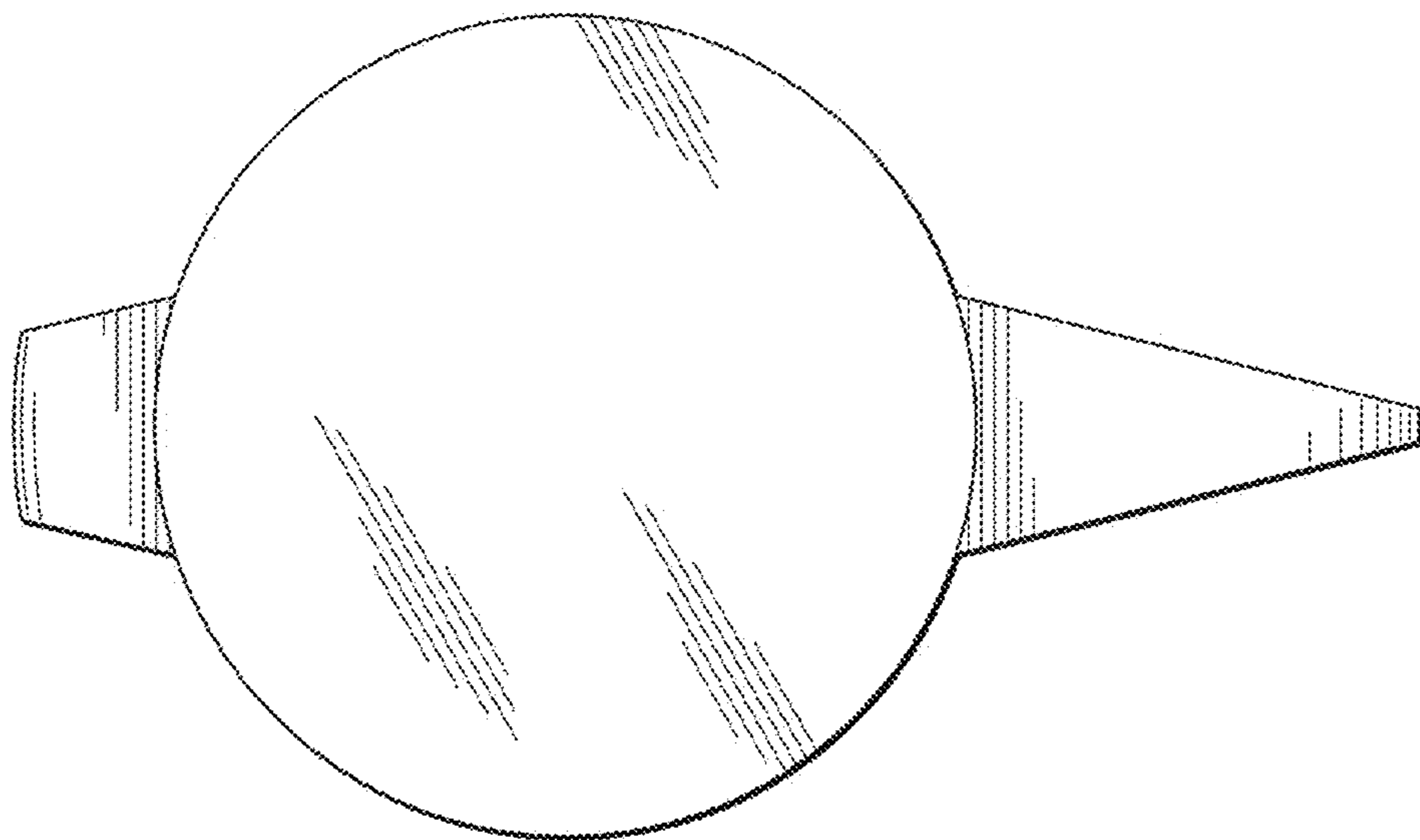


FIG. 3

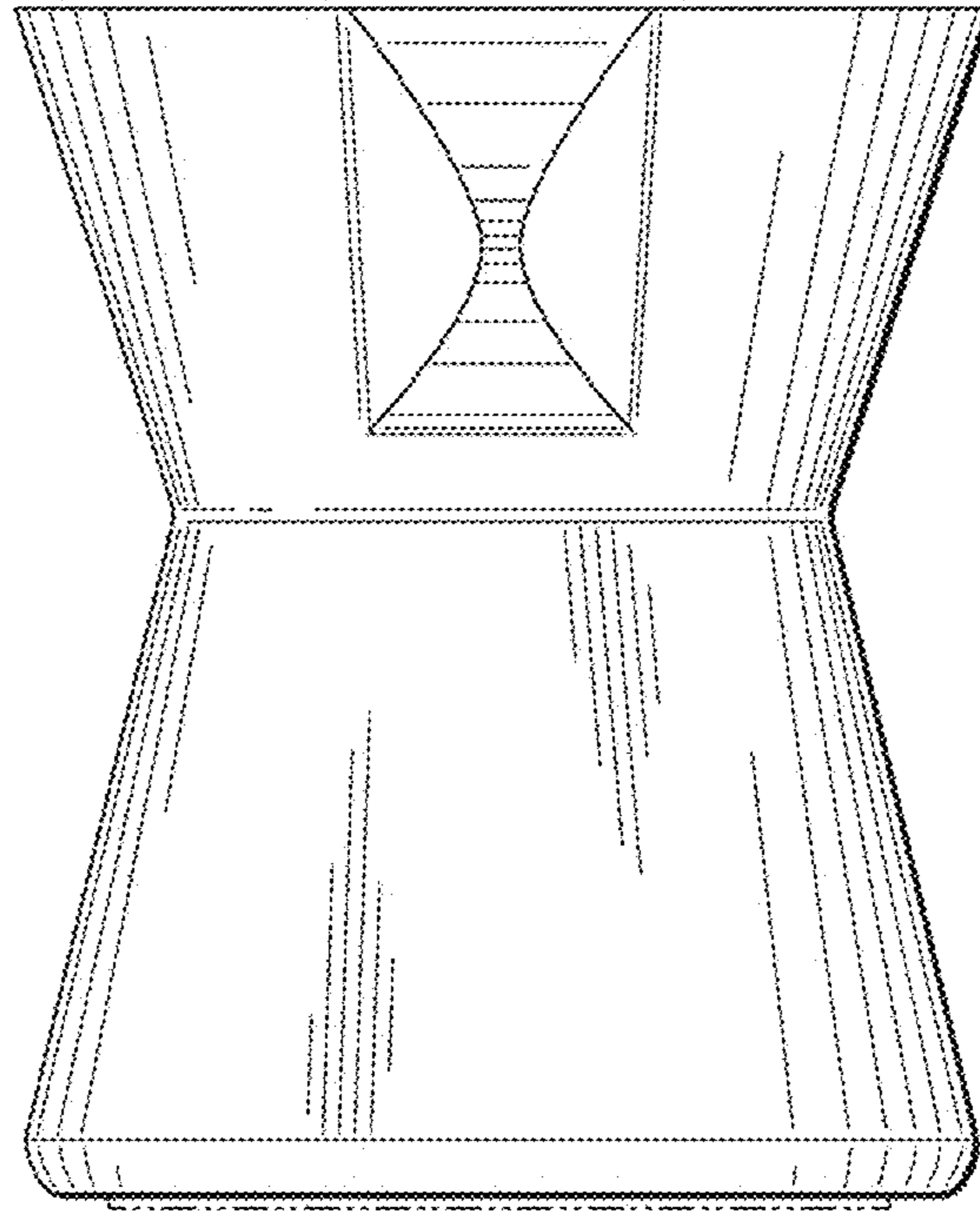


FIG. 4

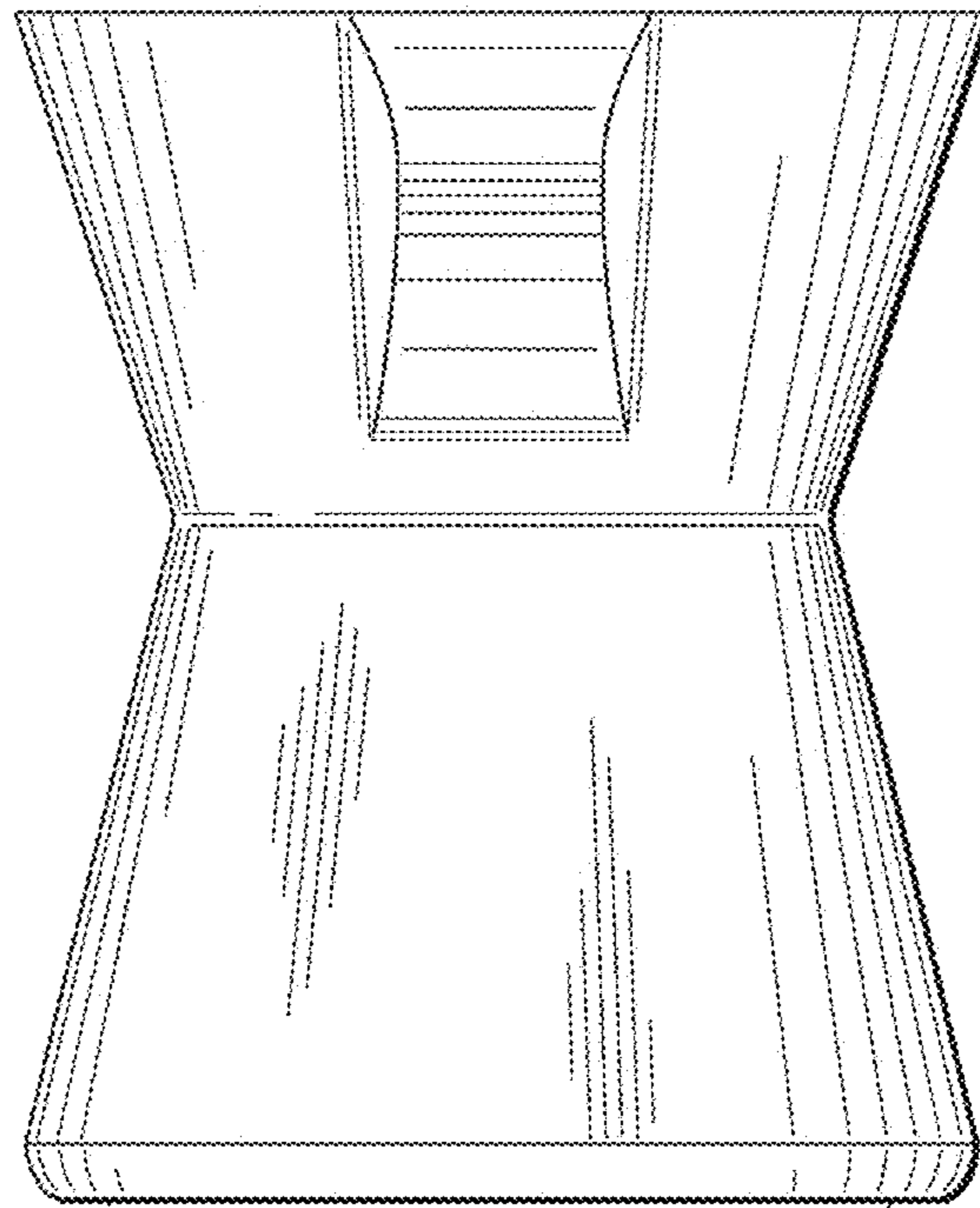


FIG. 5

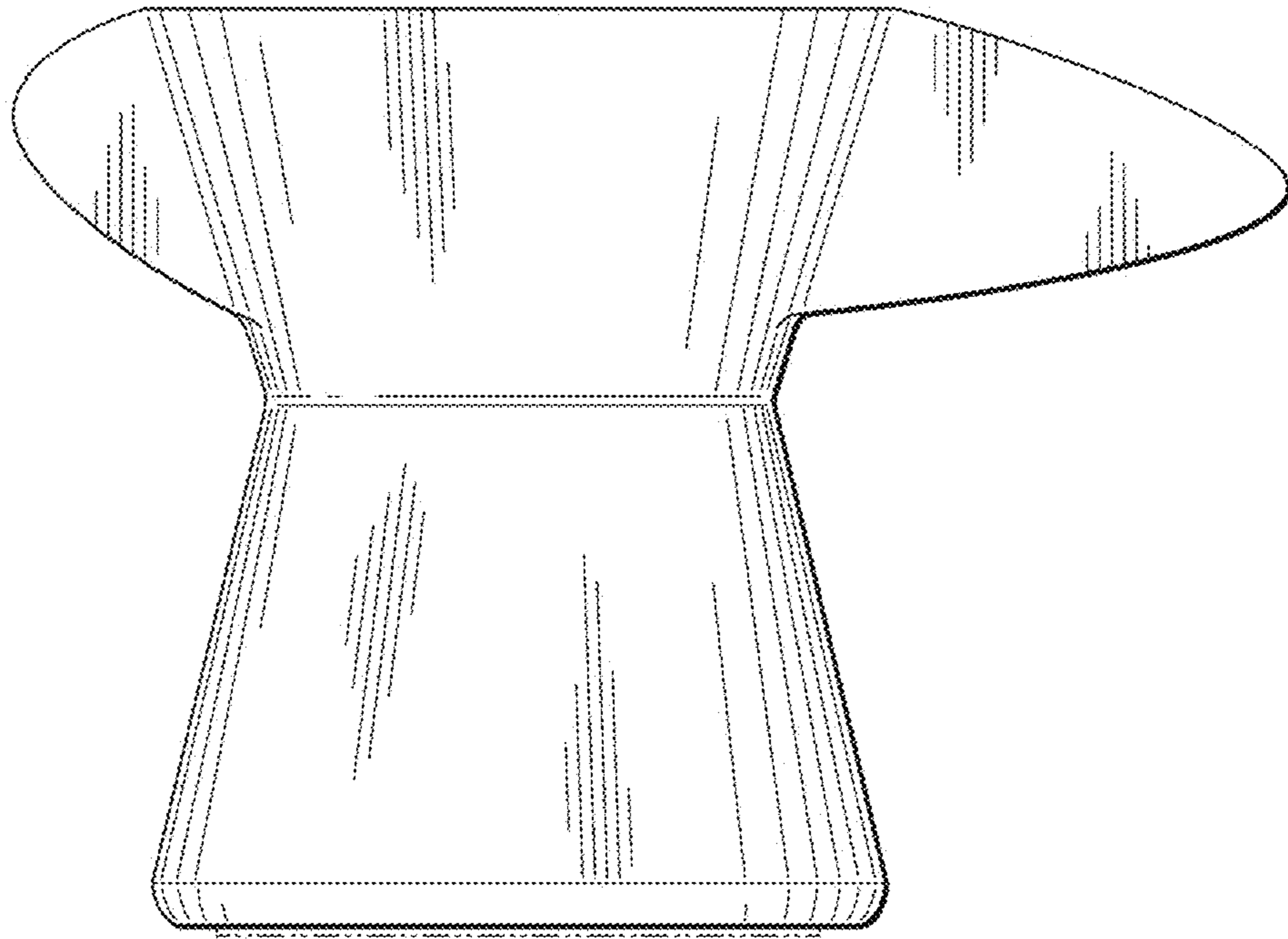


FIG. 6

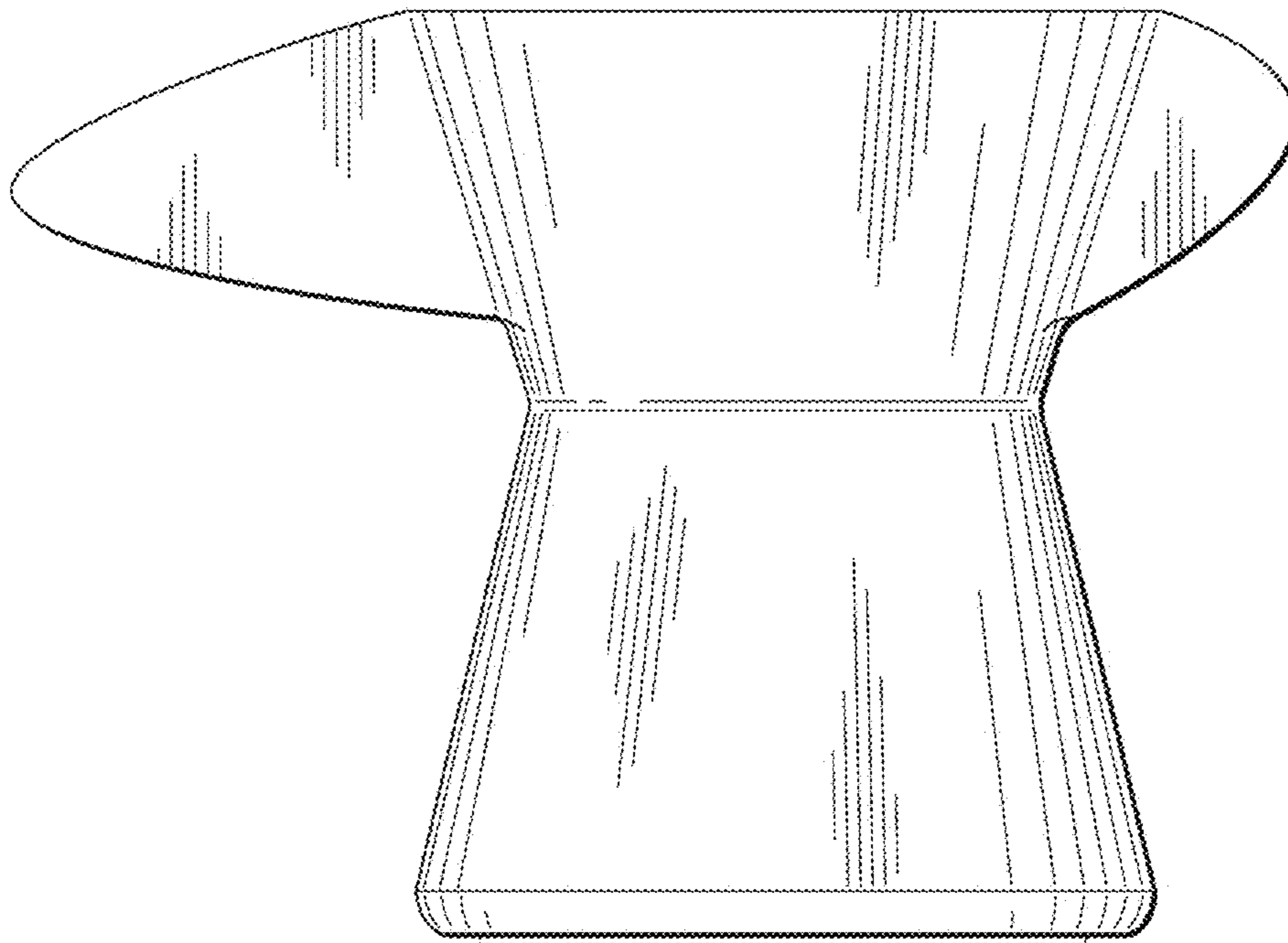


FIG. 7