



US00D893097S

(12) **United States Design Patent**  
**Huang**

(10) **Patent No.:** **US D893,097 S**

(45) **Date of Patent:** **\*\* Aug. 11, 2020**

(54) **HAIR DRYER**

(71) Applicant: **GUANGDONG HUANENGDA ELECTRONIC APPLIANCES CO., LTD**, Jieyang (CN)

(72) Inventor: **Huaqun Huang**, Jieyang (CN)

(73) Assignee: **GUANGDONG HUANENGDA ELECTRONIC APPLIANCES CO., LTD**, Jieyang (CN)

(\*\*) Term: **15 Years**

(21) Appl. No.: **29/732,788**

(22) Filed: **Apr. 28, 2020**

(51) **LOC (12) Cl.** ..... **28-03**

(52) **U.S. Cl.** ..... **D28/13**  
USPC .....

(58) **Field of Classification Search**  
USPC ..... D28/12-19  
CPC ..... A45D 20/00; A45D 20/10; A45D 20/12;  
A45D 20/18  
See application file for complete search history.

(56) **References Cited**

**U.S. PATENT DOCUMENTS**

- D715,996 S \* 10/2014 Dyson ..... A45D 20/12  
D28/13
- D716,492 S \* 10/2014 Dyson ..... A45D 20/12  
D28/13

- D729,979 S \* 5/2015 Gammack ..... D28/13
- D730,575 S \* 5/2015 Bates ..... D28/13
- D730,576 S \* 5/2015 Gammack ..... D28/13
- D731,117 S \* 6/2015 Bates ..... D28/13
- D741,544 S \* 10/2015 Gammack ..... D28/13
- D757,361 S \* 5/2016 Gammack ..... D28/13
- D757,362 S \* 5/2016 Dyson ..... D28/13
- D782,731 S \* 3/2017 Smith ..... D28/13
- D782,732 S \* 3/2017 Smith ..... D28/13
- D782,733 S \* 3/2017 Smith ..... D28/13
- D791,407 S \* 7/2017 Smith ..... D28/13
- D850,717 S 6/2019 Huang
- D884,965 S \* 5/2020 Liu ..... D28/13

\* cited by examiner

*Primary Examiner* — Zenia I Bennett

(57) **CLAIM**

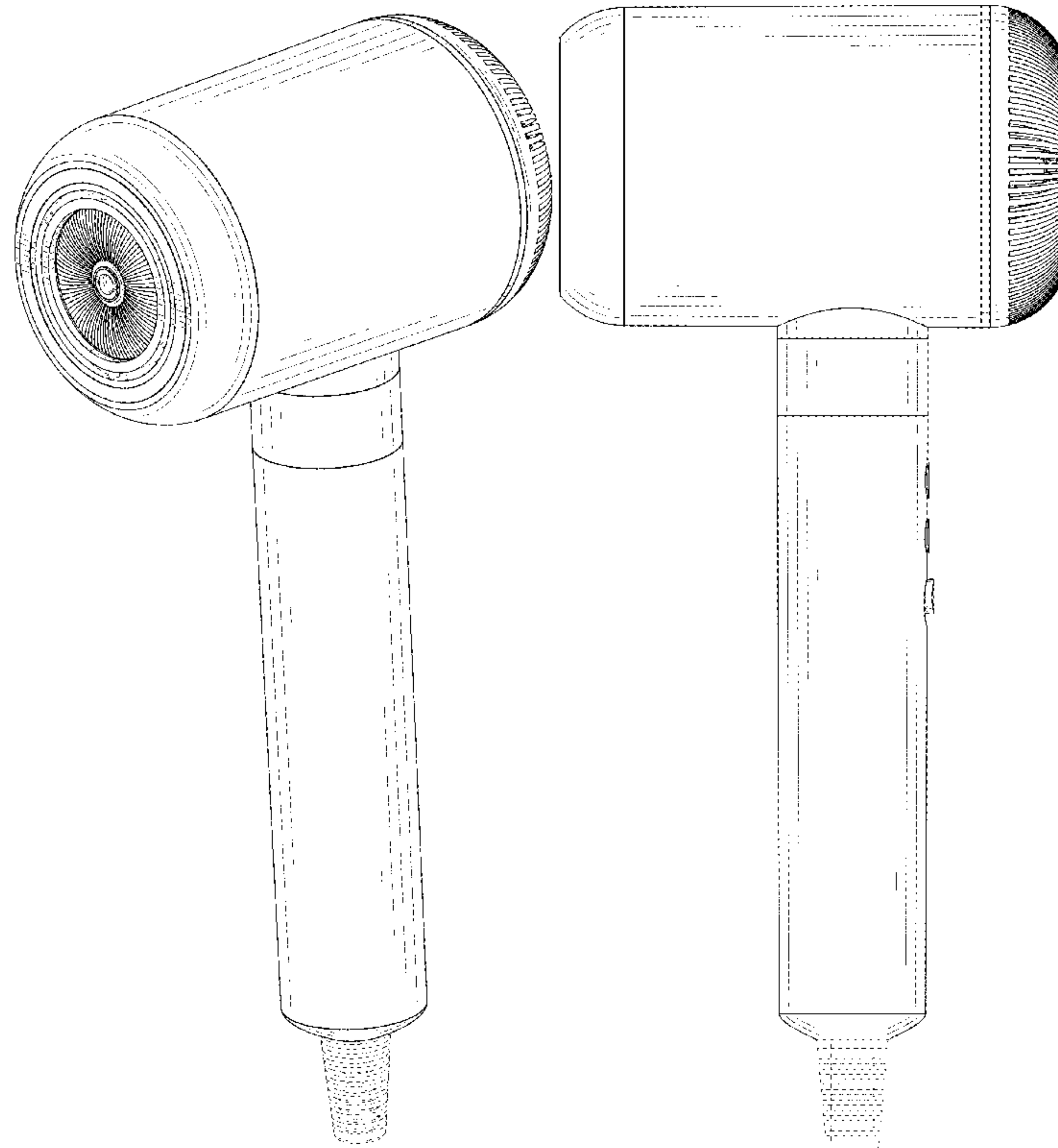
The ornamental design for a hair dryer, as shown and described.

**DESCRIPTION**

FIG. 1 is a perspective view of a hair dryer showing my new design;  
 FIG. 2 is another perspective view thereof;  
 FIG. 3 is a front elevational view thereof;  
 FIG. 4 is a rear elevational view thereof;  
 FIG. 5 is a left side elevational view thereof;  
 FIG. 6 is a right side elevational view thereof;  
 FIG. 7 is a top plan view thereof; and,  
 FIG. 8 is a bottom plan view thereof.

The broken lines in the drawings depict portions of the hair dryer that form no part of the claimed design.

**1 Claim, 8 Drawing Sheets**



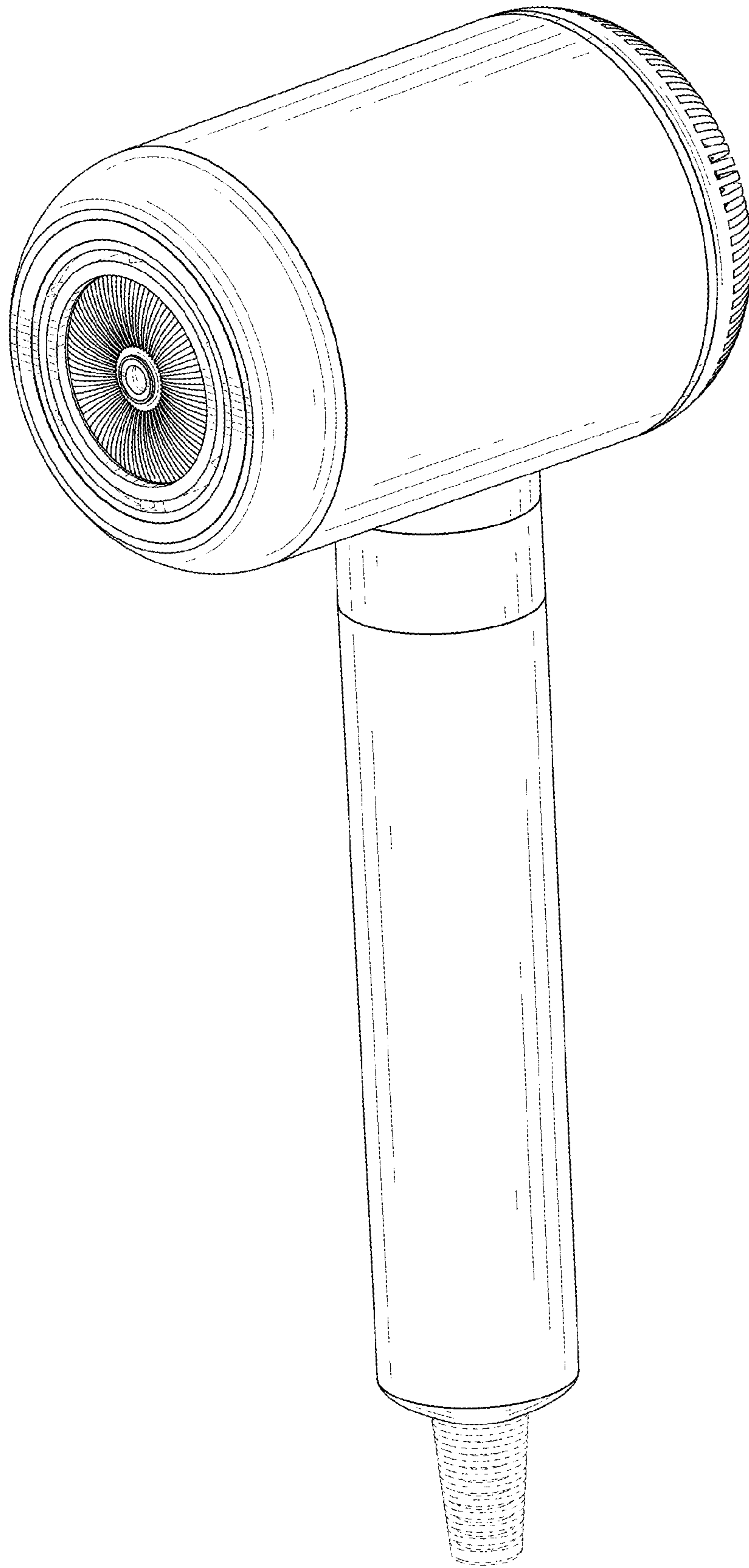


FIG. 1

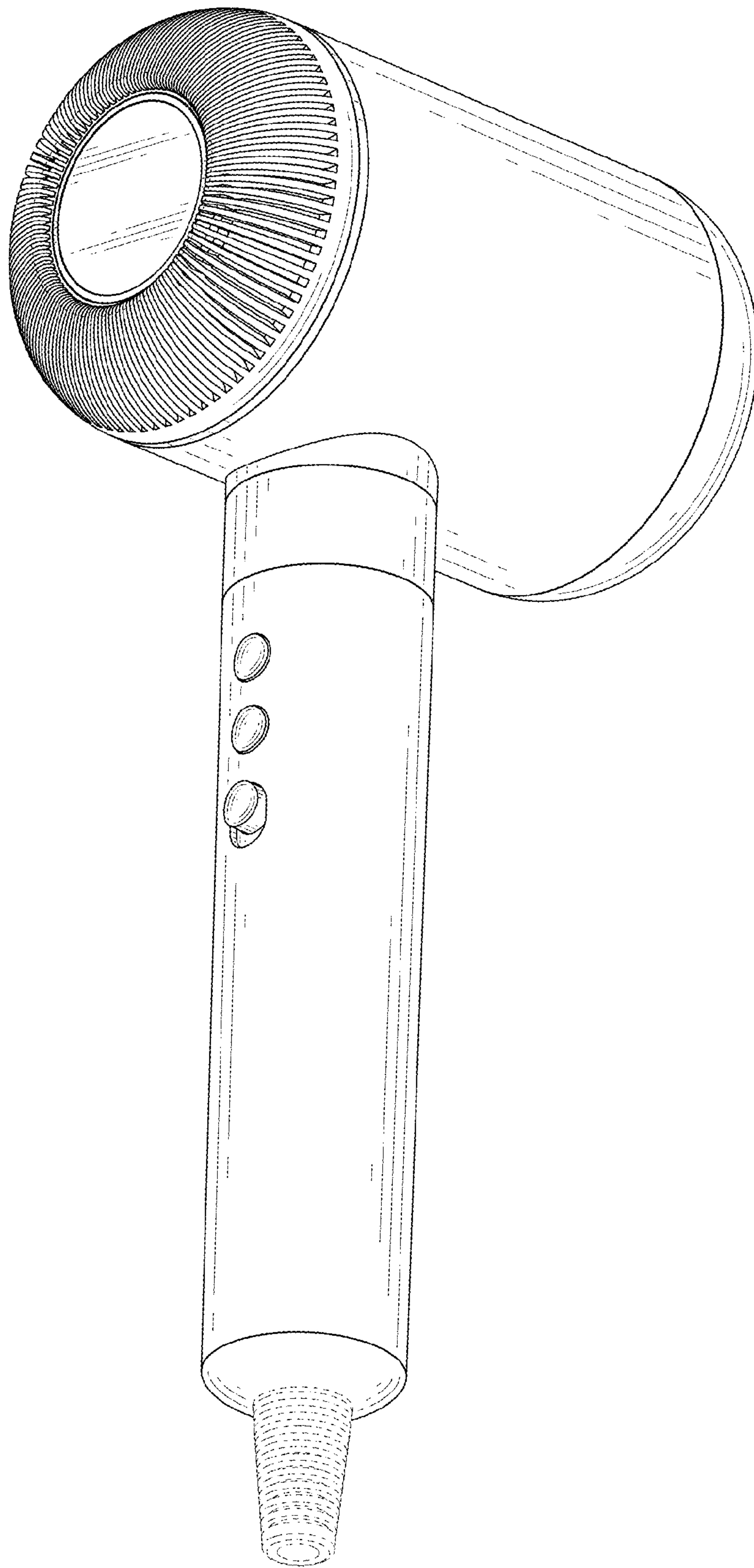


FIG. 2

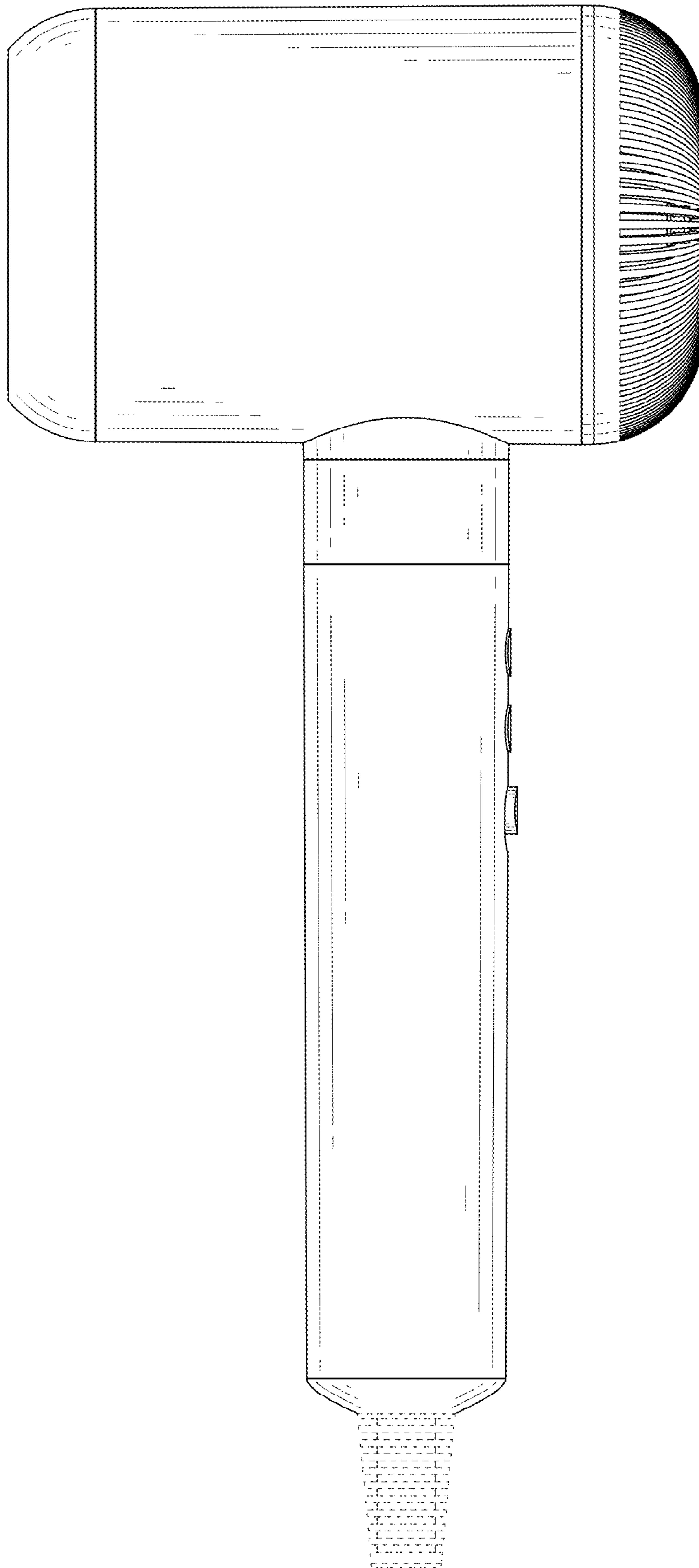


FIG. 3



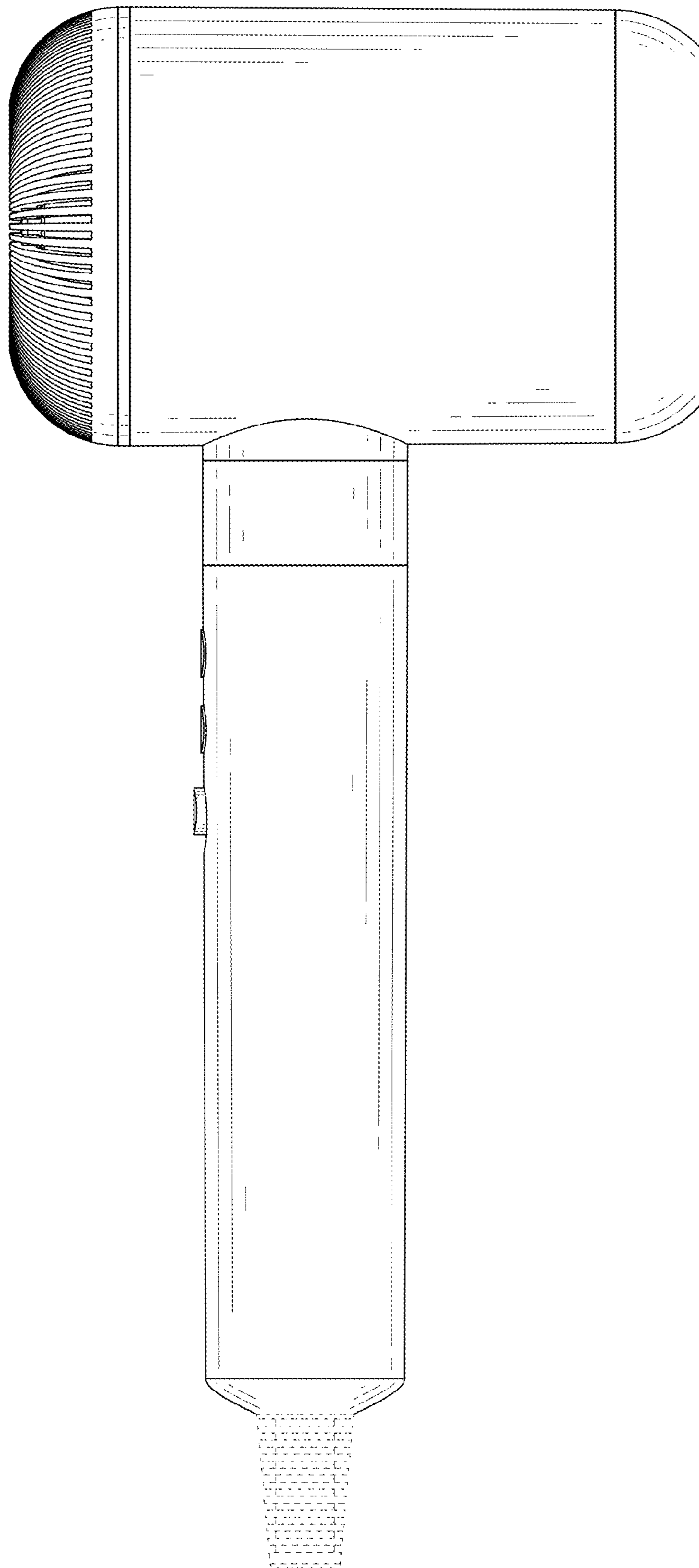


FIG. 4

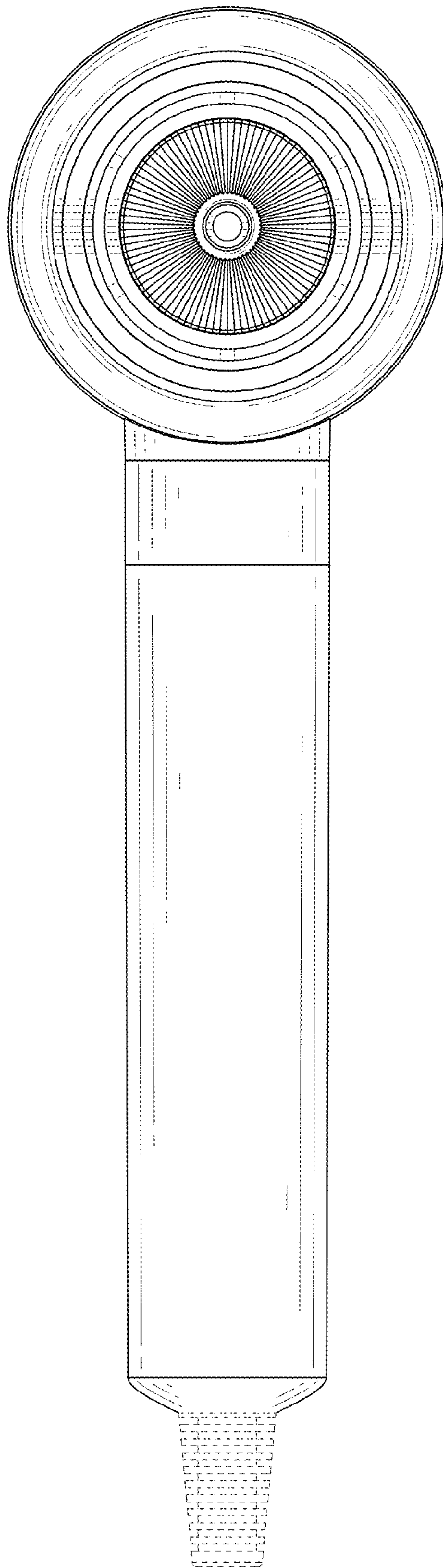


FIG. 5

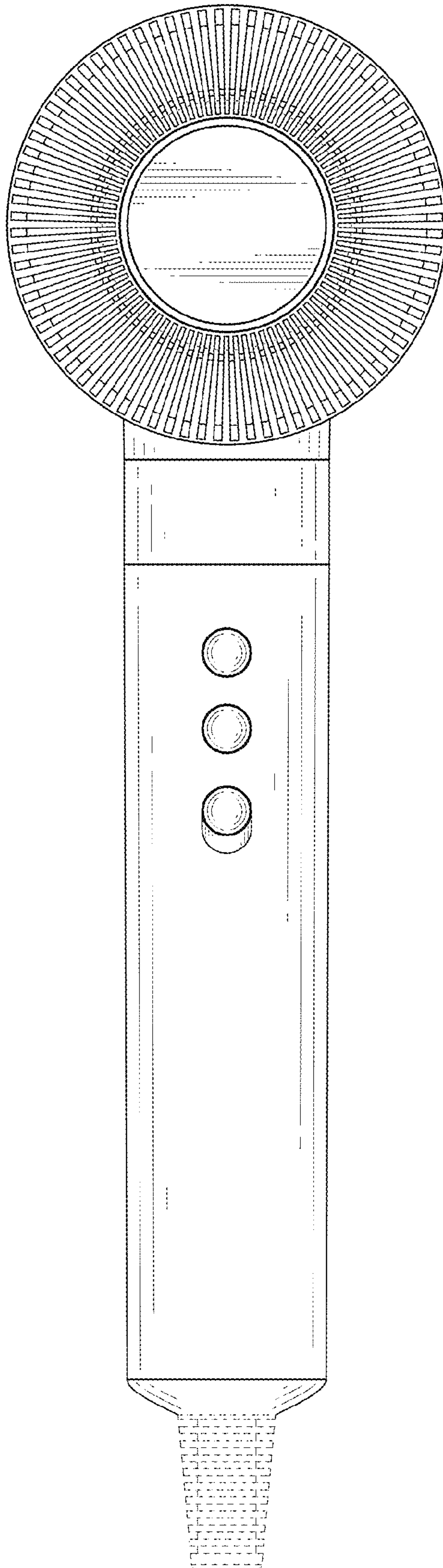


FIG. 6

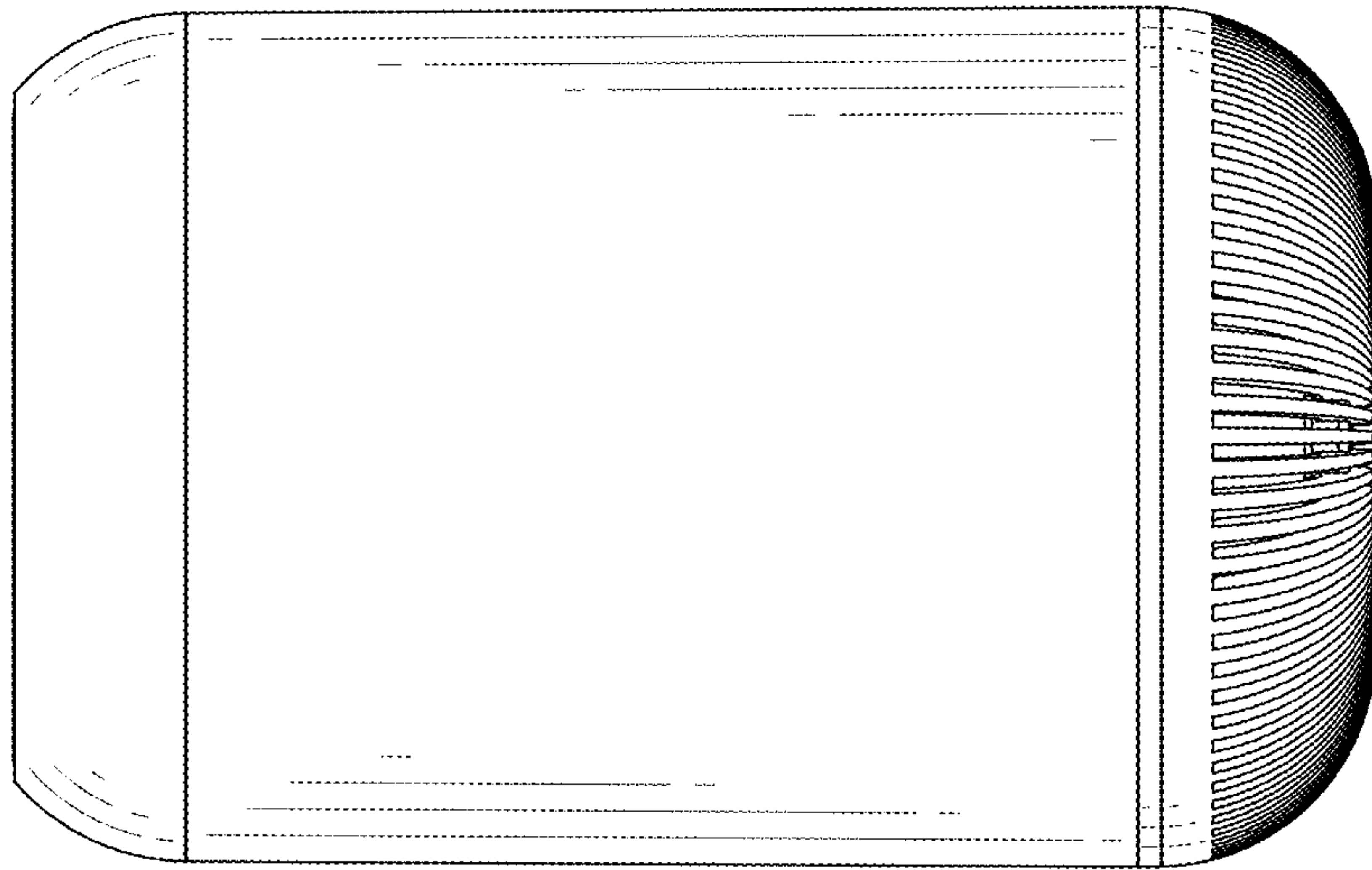


FIG. 7



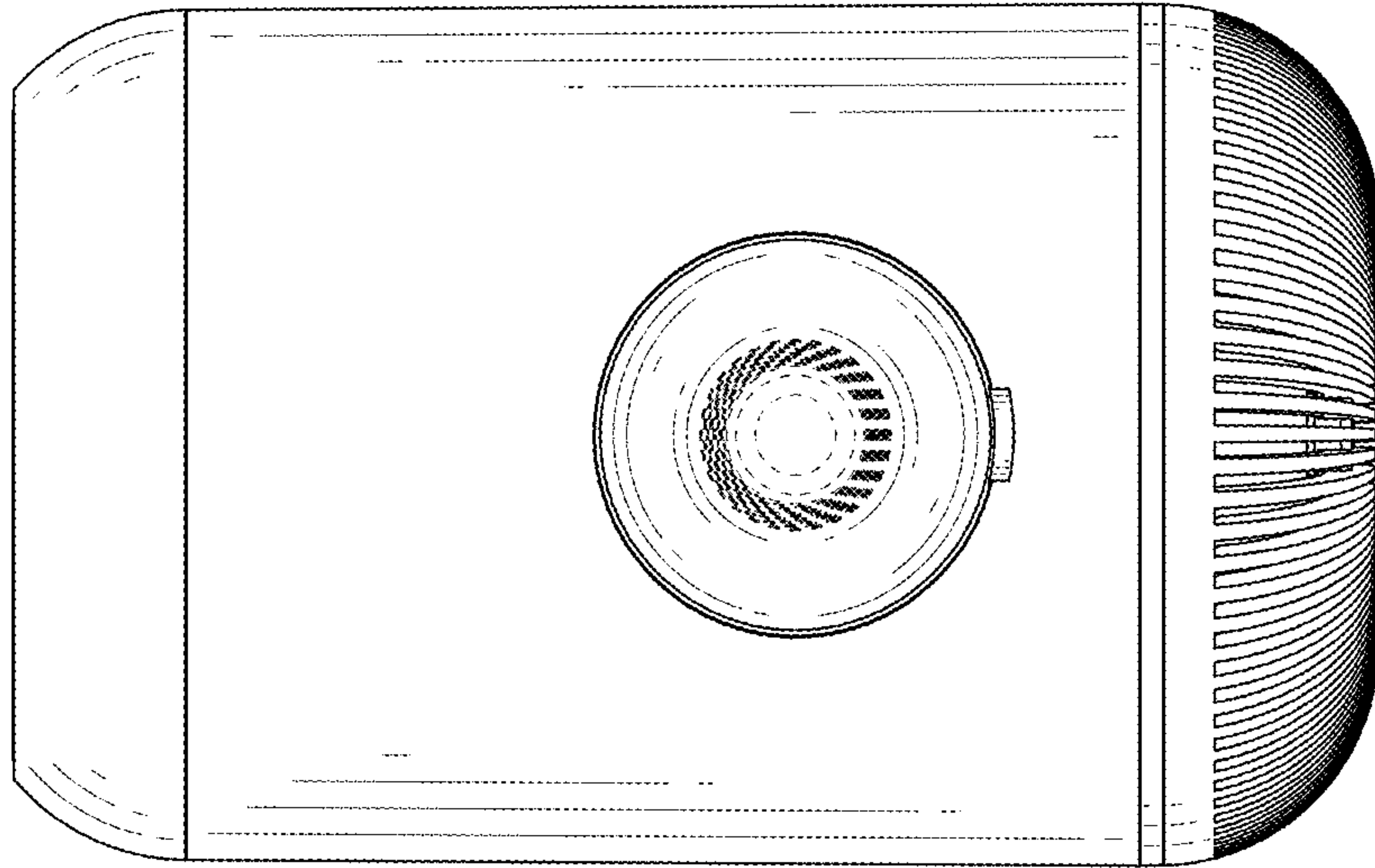


FIG. 8