



US00D893096S

(12) **United States Design Patent** (10) **Patent No.:** **US D893,096 S**  
**Leon Duque et al.** (45) **Date of Patent:** **\*\* Aug. 11, 2020**

(54) **VAPORIZER CARTRIDGE**  
(71) Applicant: **PAX Labs, Inc.**, San Francisco, CA (US)  
(72) Inventors: **Esteban Leon Duque**, San Francisco, CA (US); **James Monsees**, San Francisco, CA (US); **Brandon Cheung**, San Francisco, CA (US); **Steven Christensen**, San Mateo, CA (US)  
(73) Assignee: **PAX Labs, Inc.**, San Francisco, CA (US)

D750,321 S \* 2/2016 Chen ..... D27/194  
D773,115 S \* 11/2016 Liu ..... D27/167  
9,723,877 B2 \* 8/2017 Wong ..... H02J 7/00  
D800,379 S \* 10/2017 Fang ..... D27/139  
D804,717 S \* 12/2017 Wang ..... D27/101  
D815,344 S \* 4/2018 Smith ..... D27/189  
D822,271 S \* 7/2018 Eksouzian ..... D27/101  
D842,536 S \* 3/2019 Bowen ..... D27/167  
D849,996 S \* 5/2019 Duque ..... D27/194  
D865,279 S \* 10/2019 Pino ..... D27/172  
D867,993 S \* 11/2019 DeKeuster ..... D13/119  
D870,368 S \* 12/2019 Leon Duque ..... D27/162  
D870,372 S \* 12/2019 Zhu ..... D27/167  
D870,959 S \* 12/2019 Leon Duque ..... D27/162  
D887,632 S \* 6/2020 Duque ..... D27/167  
2019/0380388 A1 \* 12/2019 Amorde ..... A24F 47/008

(\*\*) Term: **15 Years**

\* cited by examiner

(21) Appl. No.: **29/685,675**

*Primary Examiner* — Marissa J Cash

(22) Filed: **Mar. 29, 2019**

(74) *Attorney, Agent, or Firm* — Mintz Levin Cohn Ferris Glovsky and Popeo, P.C.

**Related U.S. Application Data**

(63) Continuation of application No. 29/568,343, filed on Jun. 16, 2016, now Pat. No. Des. 849,996.

(51) **LOC (12) Cl.** ..... **27-99**

(52) **U.S. Cl.**  
USPC ..... **D27/194**

(58) **Field of Classification Search**  
USPC ..... D27/100, 101, 139-194; D23/202; D13/118, 119; D19/115, 116, 162, 163, D19/164; D7/300; D9/444, 445  
CPC ..... A24F 47/008; A24F 47/002; A24F 15/18; A24F 47/00  
See application file for complete search history.

(56) **References Cited**

**U.S. PATENT DOCUMENTS**

D704,630 S \* 5/2014 Liu ..... D13/108  
8,973,587 B2 \* 3/2015 Liu ..... H02J 7/0042  
131/273

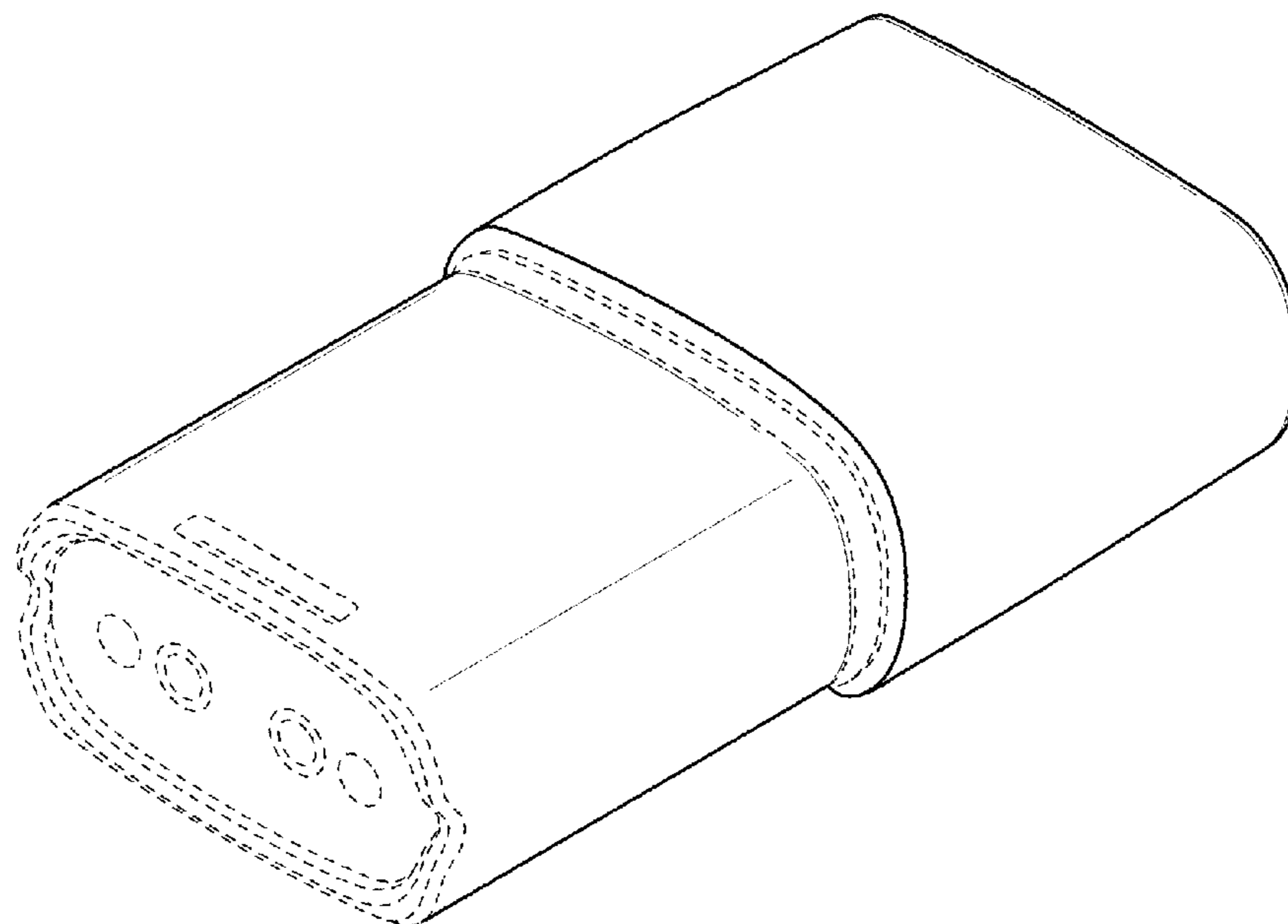
(57) **CLAIM**

The ornamental design for a vaporizer cartridge, as shown and described.

**DESCRIPTION**

FIG. 1 is a front isometric view of a vaporizer cartridge of our design;  
FIG. 2 is a back isometric view thereof;  
FIG. 3 is a front view thereof;  
FIG. 4 is a right side view thereof;  
FIG. 5 is a top view thereof; and,  
FIG. 6 is a bottom view thereof.  
The broken lines illustrate portions of the vaporizer cartridge that form no part of the claimed design.

**1 Claim, 5 Drawing Sheets**



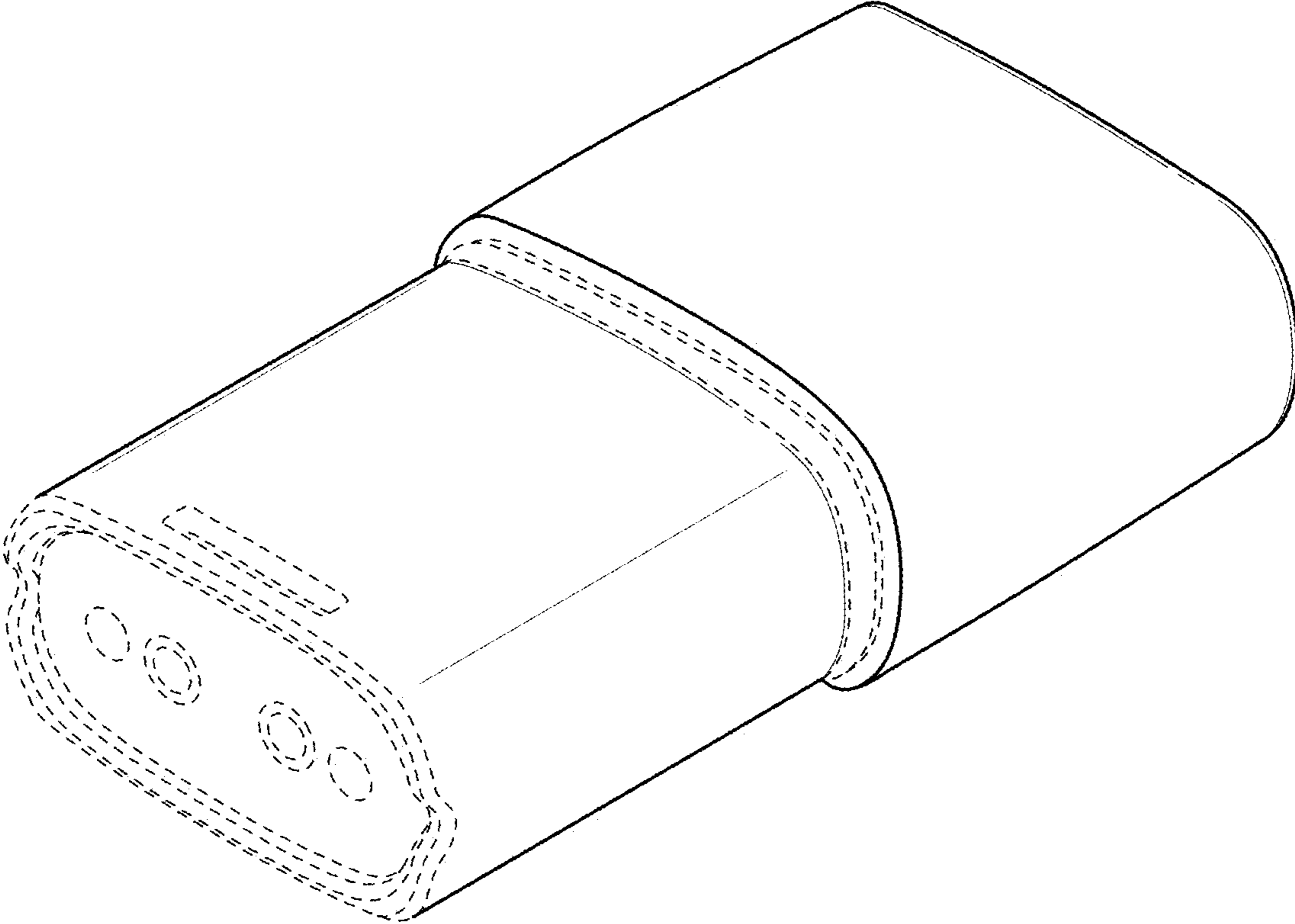


FIG. 1

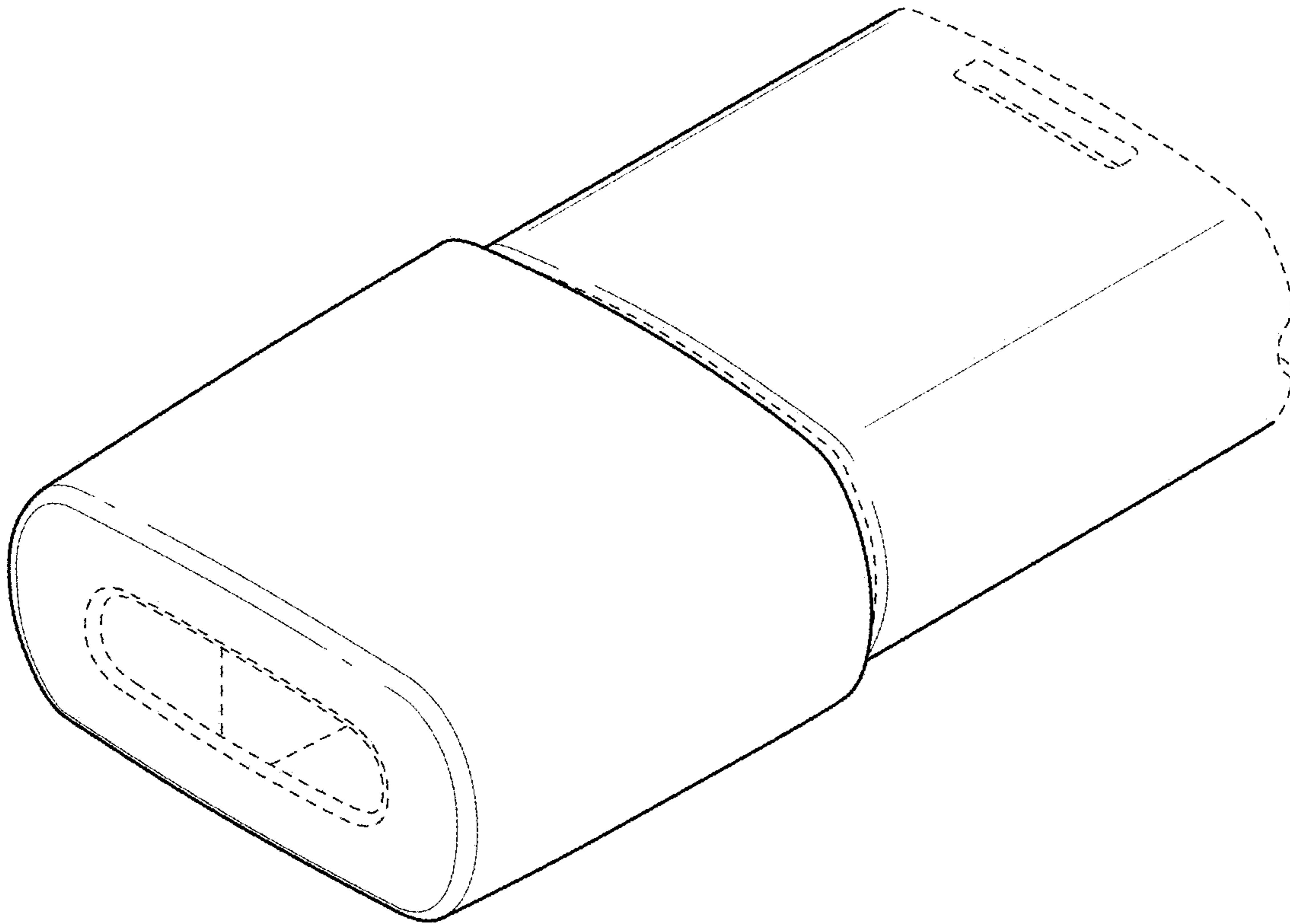


FIG. 2

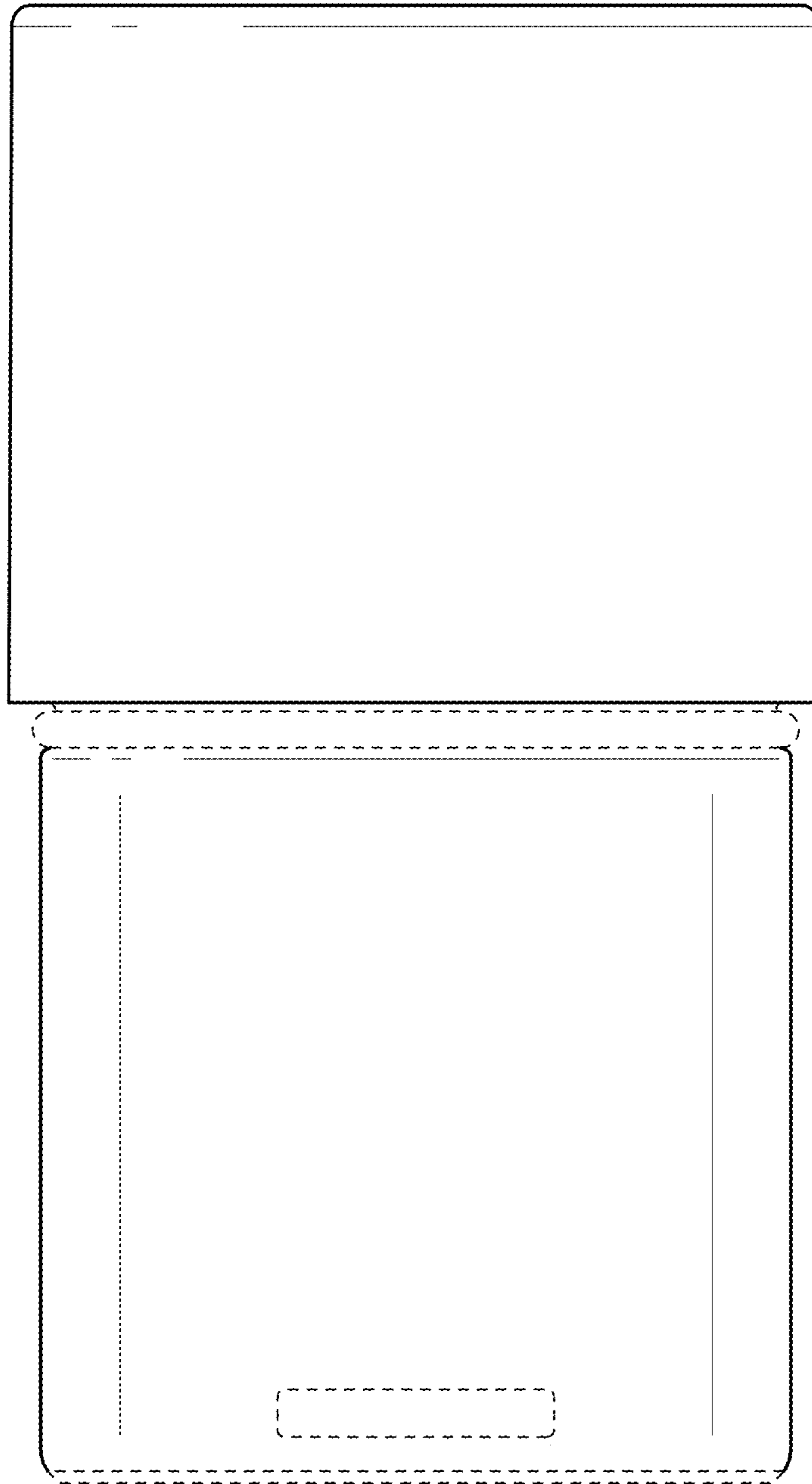


FIG. 3

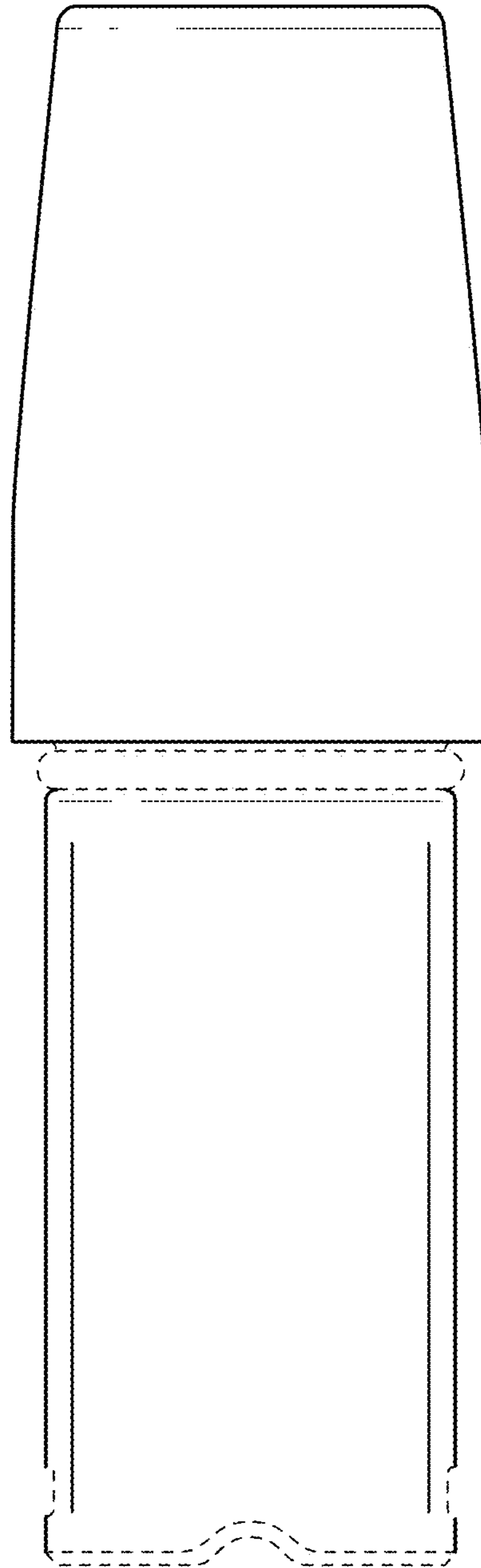


FIG. 4

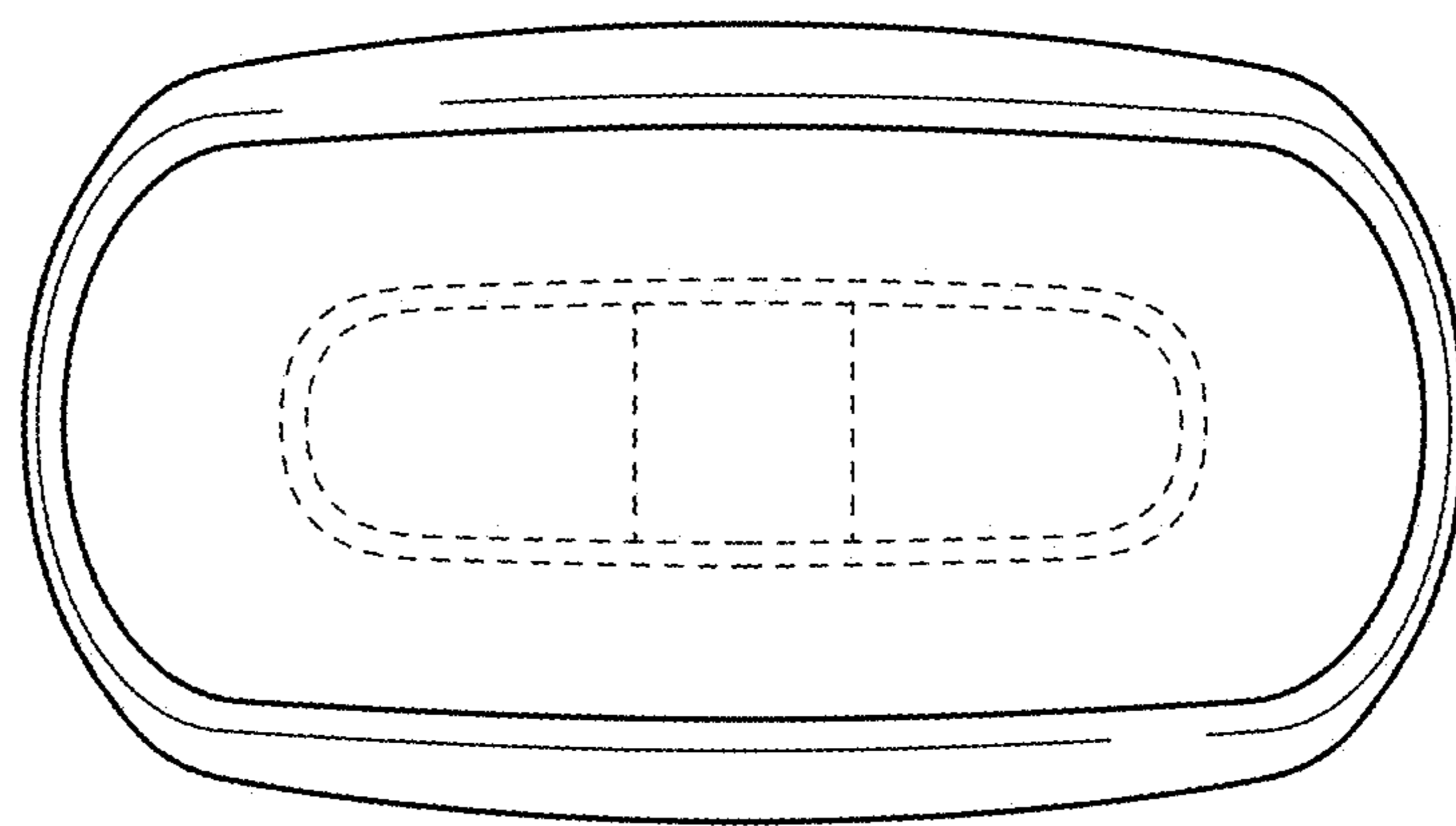


FIG. 5

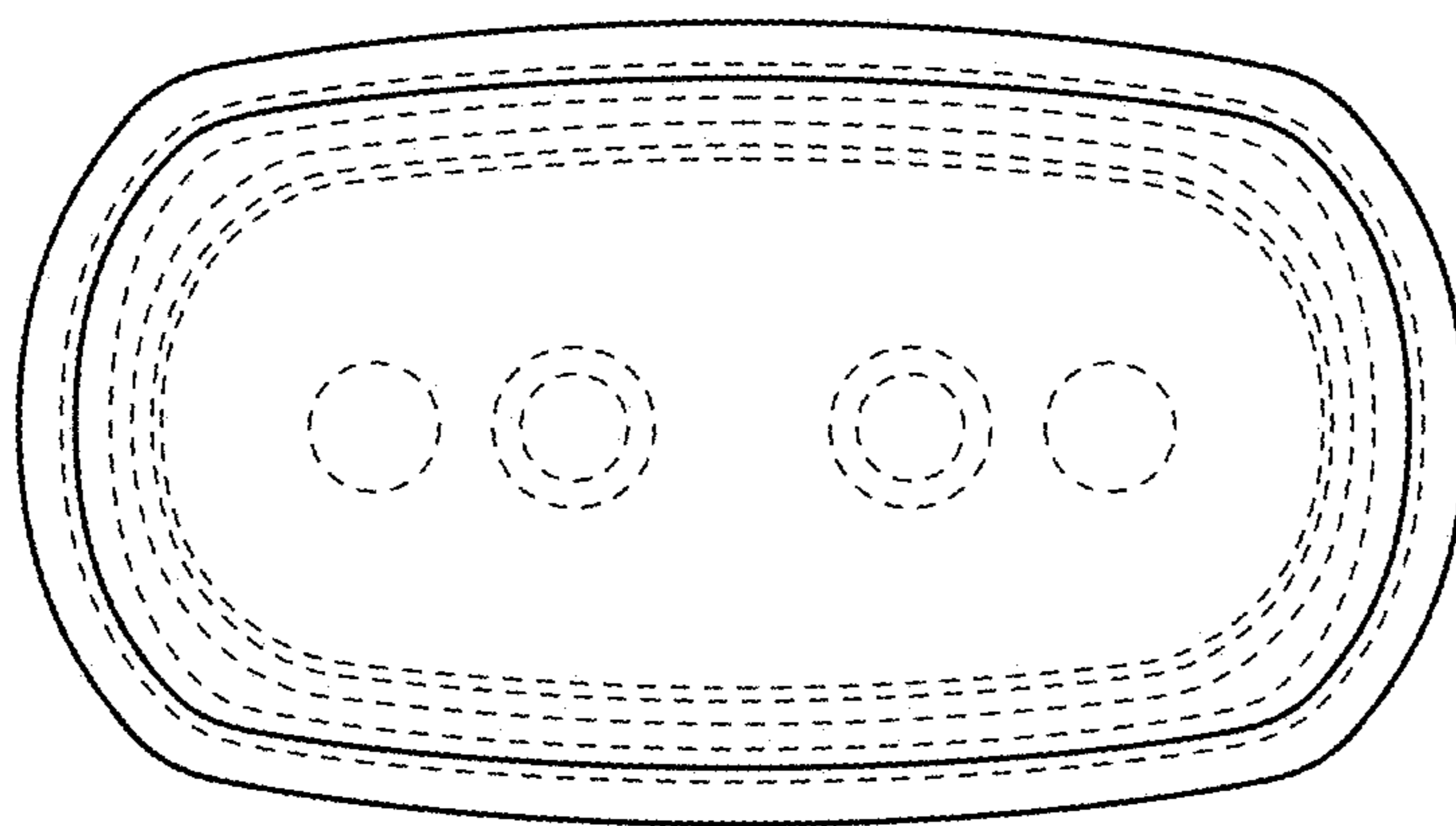


FIG. 6