



US00D893094S

(12) **United States Design Patent** (10) **Patent No.:** **US D893,094 S**
Wang (45) **Date of Patent:** **** Aug. 11, 2020**

(54) **ELECTRONIC CIGARETTE**

(71) Applicant: **Shenzhen Smoore Technology Limited**, Shenzhen, Guandong (CN)

(72) Inventor: **Jianliang Wang**, Guandong (CN)

(73) Assignee: **SHENZHEN SMOORE TECHNOLOGY LIMITED**, Shenzhen (CN)

(**) Term: **15 Years**

(21) Appl. No.: **29/683,526**

(22) Filed: **Mar. 13, 2019**

(30) **Foreign Application Priority Data**

Oct. 31, 2018 (CN) 2018 3 0613496

(51) **LOC (12) Cl.** **27-02**

(52) **U.S. Cl.**
USPC **D27/162**

(58) **Field of Classification Search**
USPC D27/162, 100, 101, 163-165, 172, 174,
D27/175, 183, 185-194; D24/110, 110.5;
D13/107-109; 128/202.21, 203.12;
131/273, 274, 270, 191, 328, 329, 330,
131/360-365

(Continued)

(56) **References Cited**

U.S. PATENT DOCUMENTS

D323,292 S * 1/1992 Jones D9/424
D492,445 S * 6/2004 Parcevaux D27/194

(Continued)

Primary Examiner — Marissa J Cash
Assistant Examiner — Rebecca Tsehaye

(57) **CLAIM**

The ornamental design for an electronic cigarette, as shown and described.

DESCRIPTION

FIG. 1 is a perspective view of an atomizer shown as a component 1 removed from the assembly in FIGS. 15-21 for clarity of disclosure;

FIG. 2 is a front elevational view thereof;

FIG. 3 is a rear elevational view thereof;

FIG. 4 is a left side elevational view thereof;

FIG. 5 is a right side elevational view thereof;

FIG. 6 is a top plan view thereof;

FIG. 7 is an enlarged bottom plan view thereof;

FIG. 8 is a perspective view of a power supply shown as a component 2 removed from the assembly in FIGS. 15-21 for clarity of disclosure;

FIG. 9 is a front elevational view thereof;

FIG. 10 is a rear elevational view thereof;

FIG. 11 is a left side elevational view thereof;

FIG. 12 is a right side elevational view thereof;

FIG. 13 is an enlarged top plan view thereof;

FIG. 14 is a bottom plan view thereof;

FIG. 15 is a perspective view of an electronic cigarette where the component 1 and the component 2 are shown in an assembled state of use;

FIG. 16 is a front elevational view thereof;

FIG. 17 is a rear elevational view thereof;

FIG. 18 is a left side elevational view thereof;

FIG. 19 is a right side elevational view thereof;

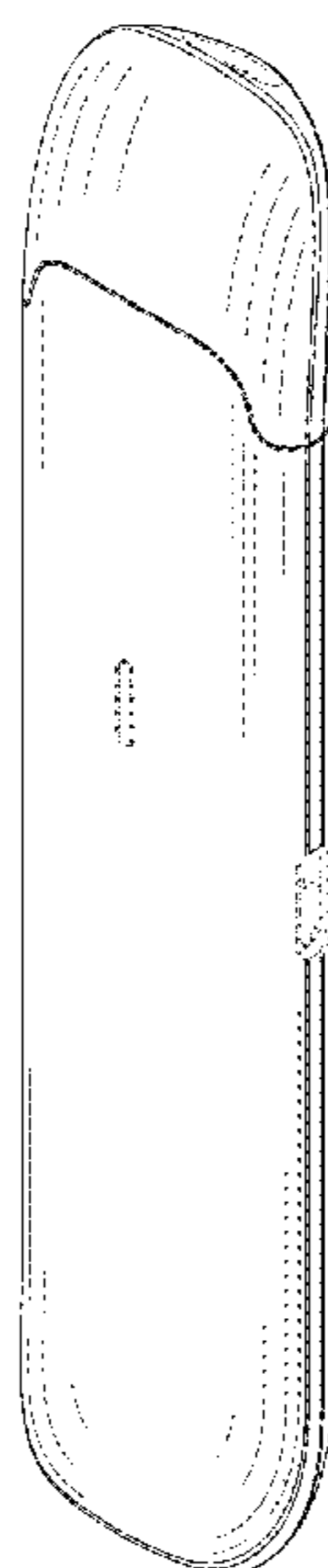
FIG. 20 is a top plan view thereof; and,

FIG. 21 is a bottom plan view thereof.

The dot-dash broken lines in the drawings represent boundaries of the claimed design; the dot-dash broken lines themselves form no part of the claimed design, and the portion within the dot-dash broken lines forms no part of the claimed design.

The dash-dash broken lines in the drawings depict portions of the electronic cigarette that form no part of the claimed design.

1 Claim, 18 Drawing Sheets



(58) **Field of Classification Search**

CPC A24F 47/002; A24F 47/006; A24F 47/008;
A61M 15/00; A61M 15/06

See application file for complete search history.

(56) **References Cited**

U.S. PATENT DOCUMENTS

D514,222	S	*	1/2006	Anderson	D24/110
D525,871	S	*	8/2006	Zeh	D9/521
D613,395	S	*	4/2010	Nakao	D24/110
D661,795	S	*	6/2012	Clarke	D24/110
D763,502	S	*	8/2016	Verleur	D27/167
D809,648	S	*	2/2018	Ohrt	D24/110
D820,514	S	*	6/2018	Durand	D27/162
D820,515	S	*	6/2018	Nettenstrom	D27/167
D846,796	S	*	4/2019	Pan	D27/101
D850,710	S	*	6/2019	Wu	D27/101
D852,408	S	*	6/2019	Nettenstrom	D27/101
D853,632	S	*	7/2019	Qiu	D27/101
D872,934	S	*	1/2020	Powell	D27/163
D875,302	S	*	2/2020	Pan	D27/162
D875,303	S	*	2/2020	Pan	D27/162
D875,305	S	*	2/2020	Lai	D27/167
D875,306	S	*	2/2020	Pan	D27/167
2019/0053542	A1	*	2/2019	Chen	A61M 11/042

* cited by examiner

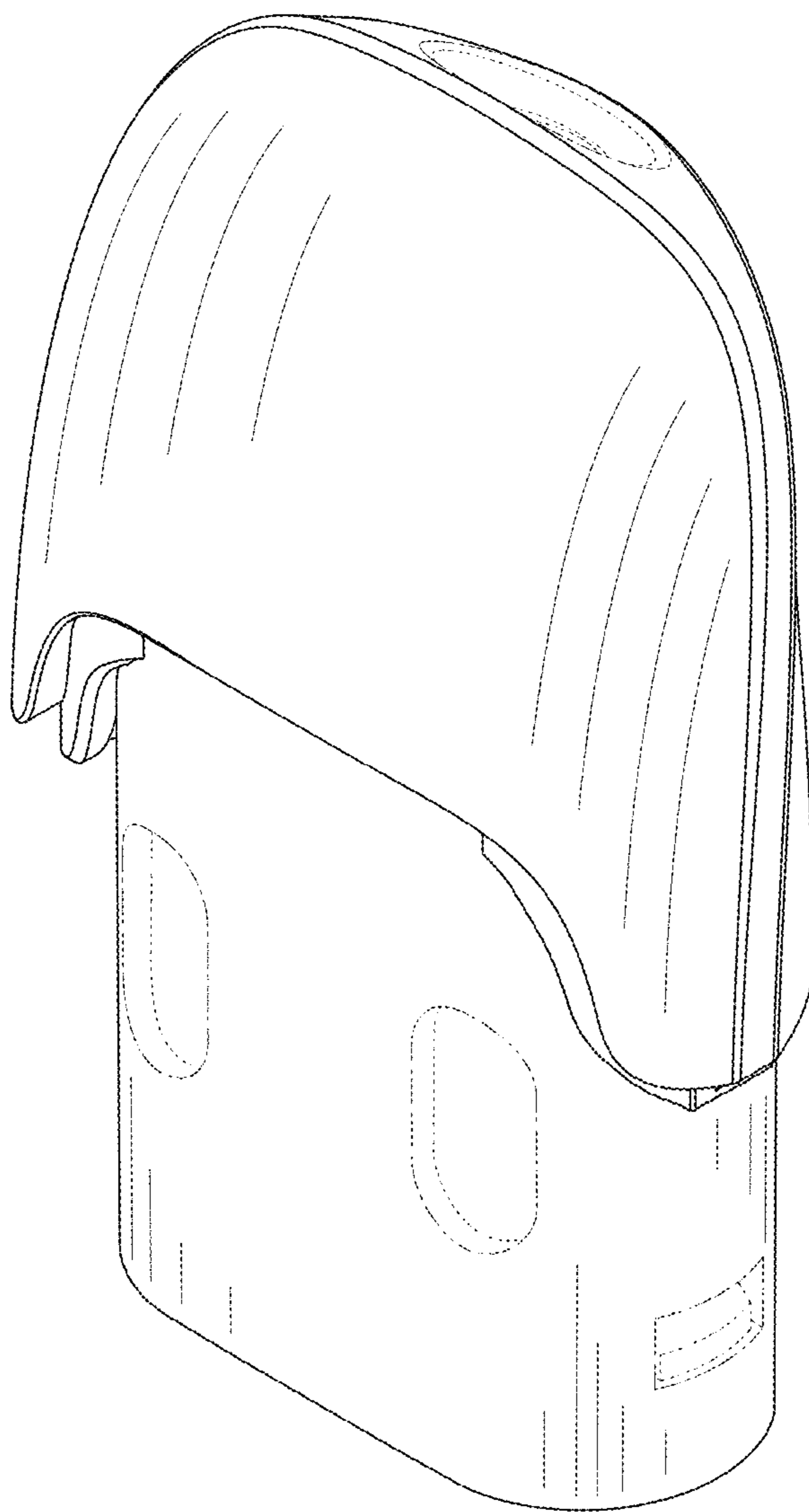


FIG. 1

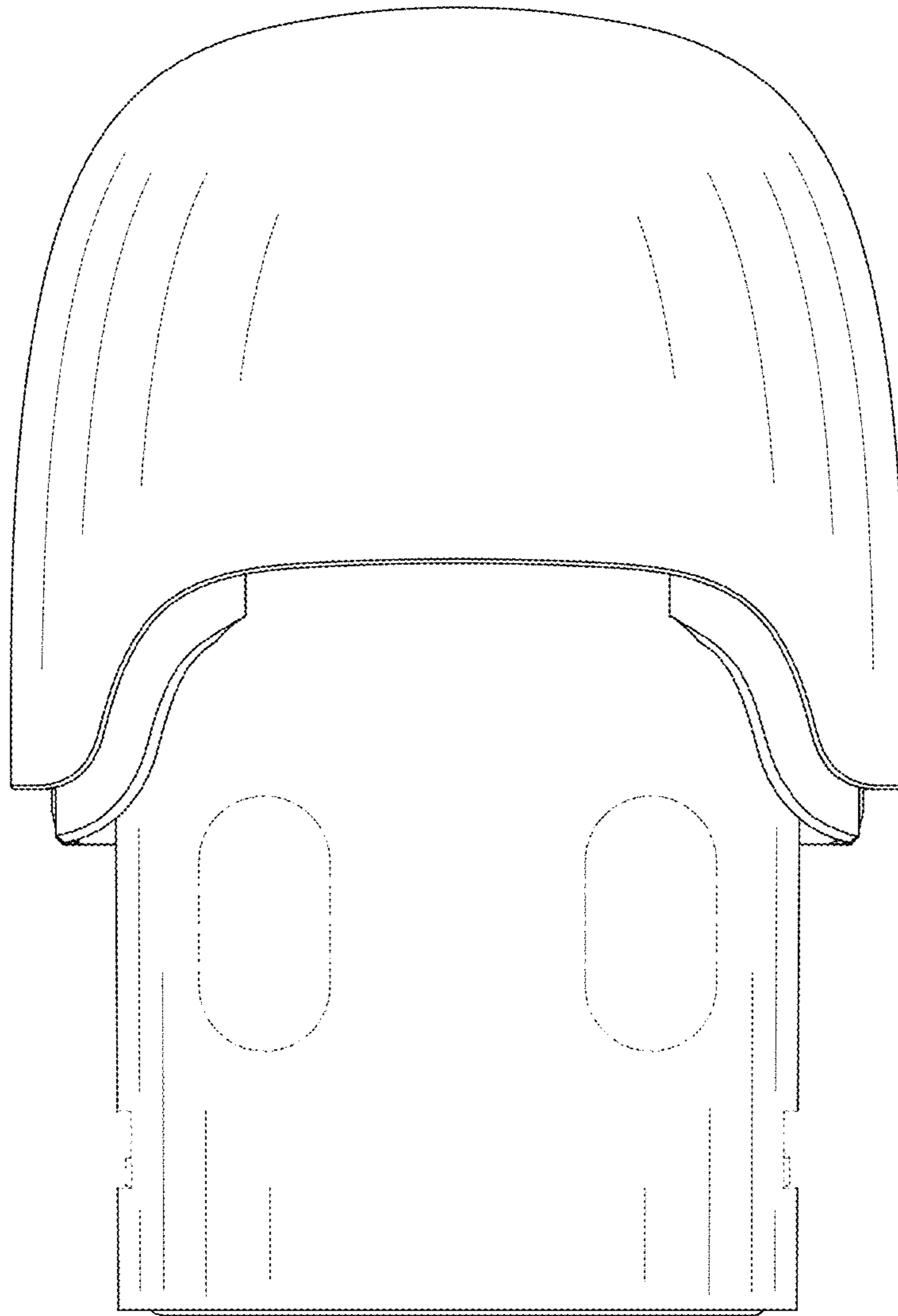


FIG. 2

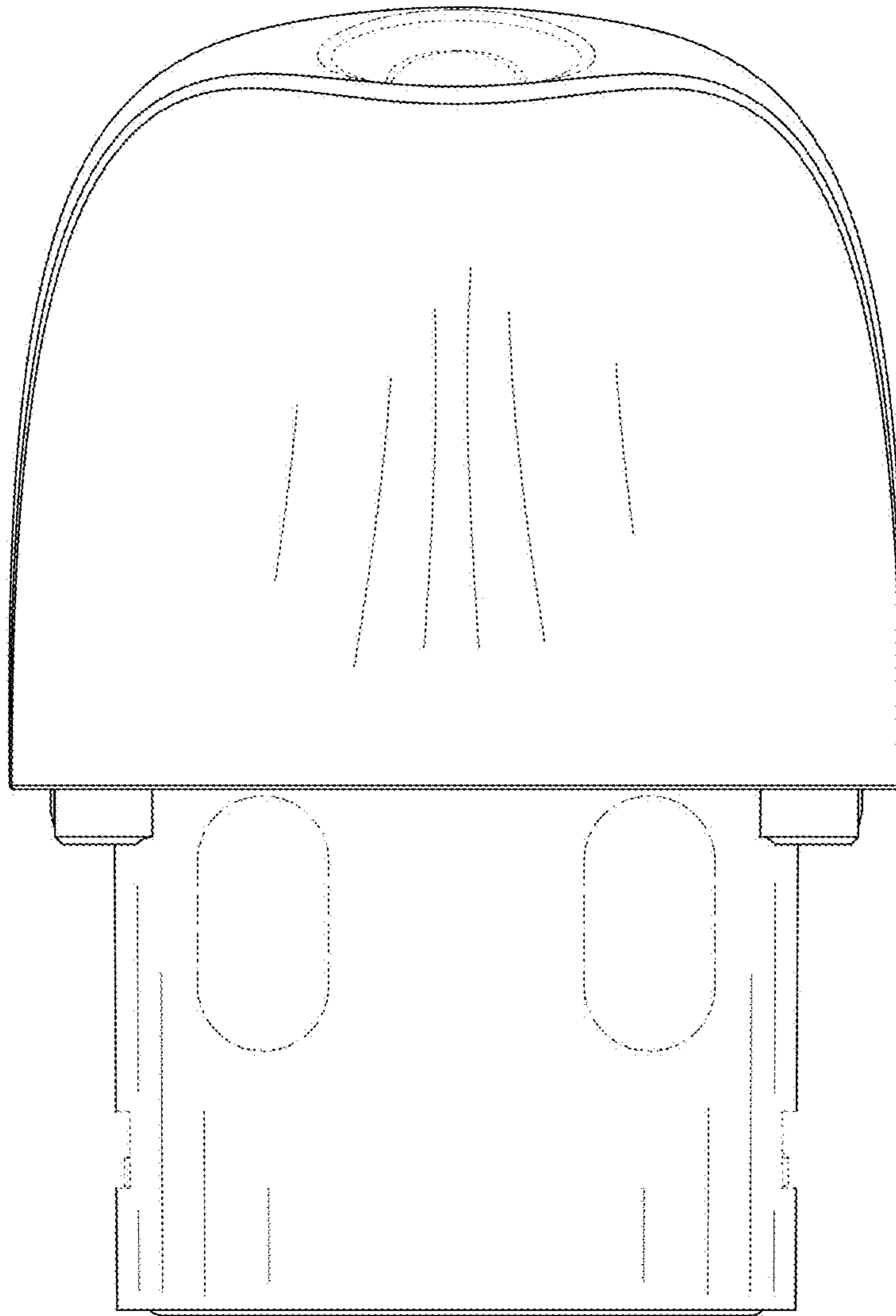


FIG. 3

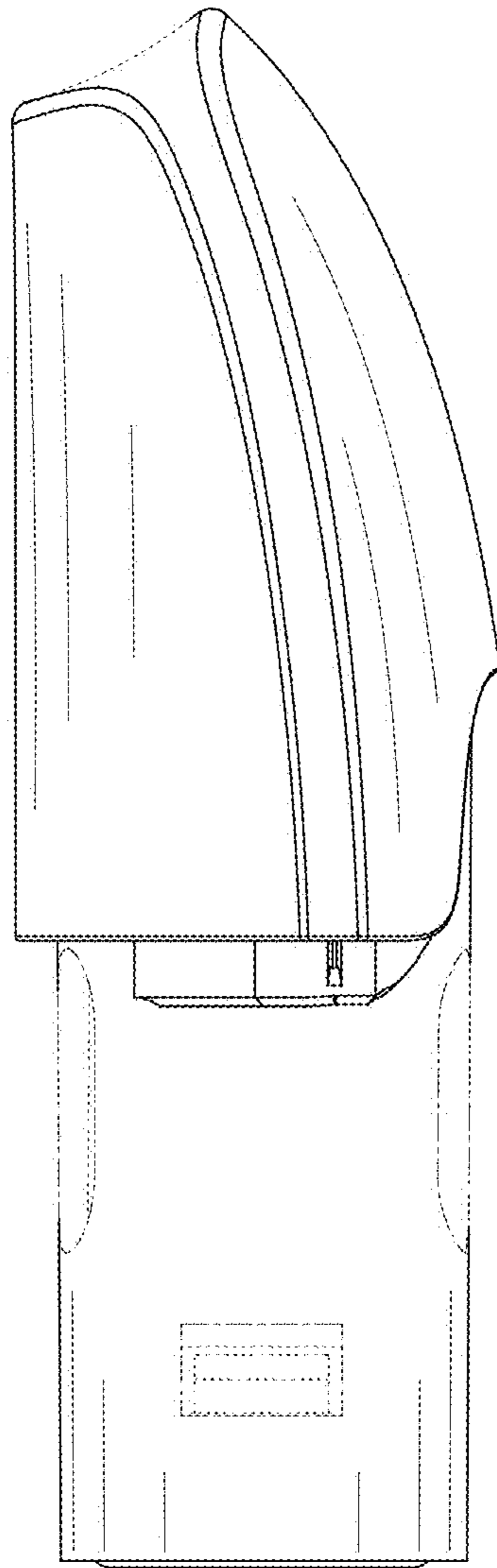


FIG. 4

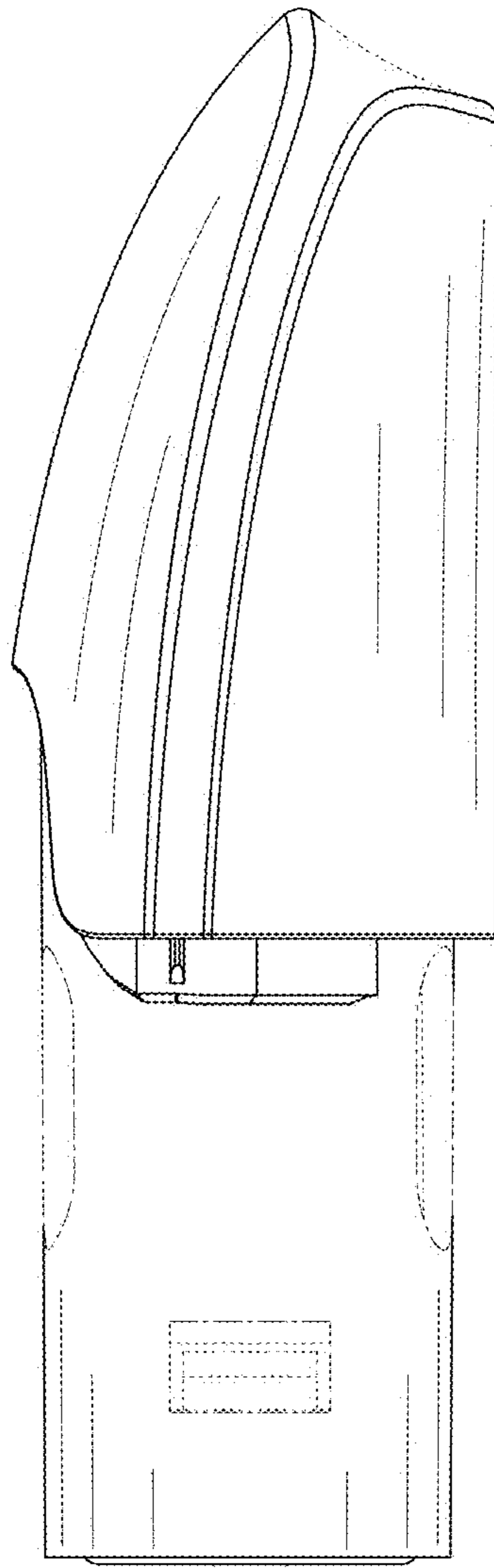


FIG. 5

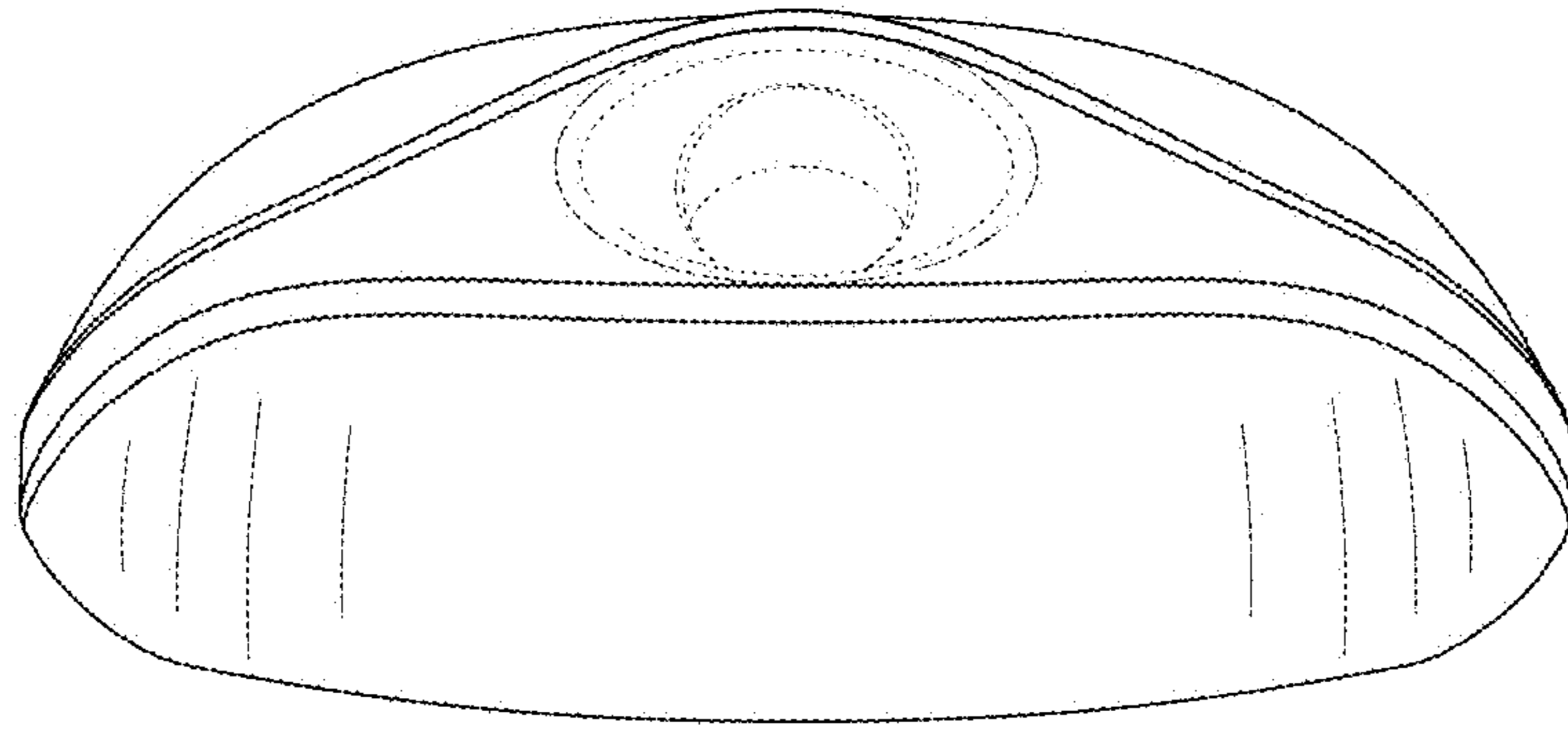


FIG. 6

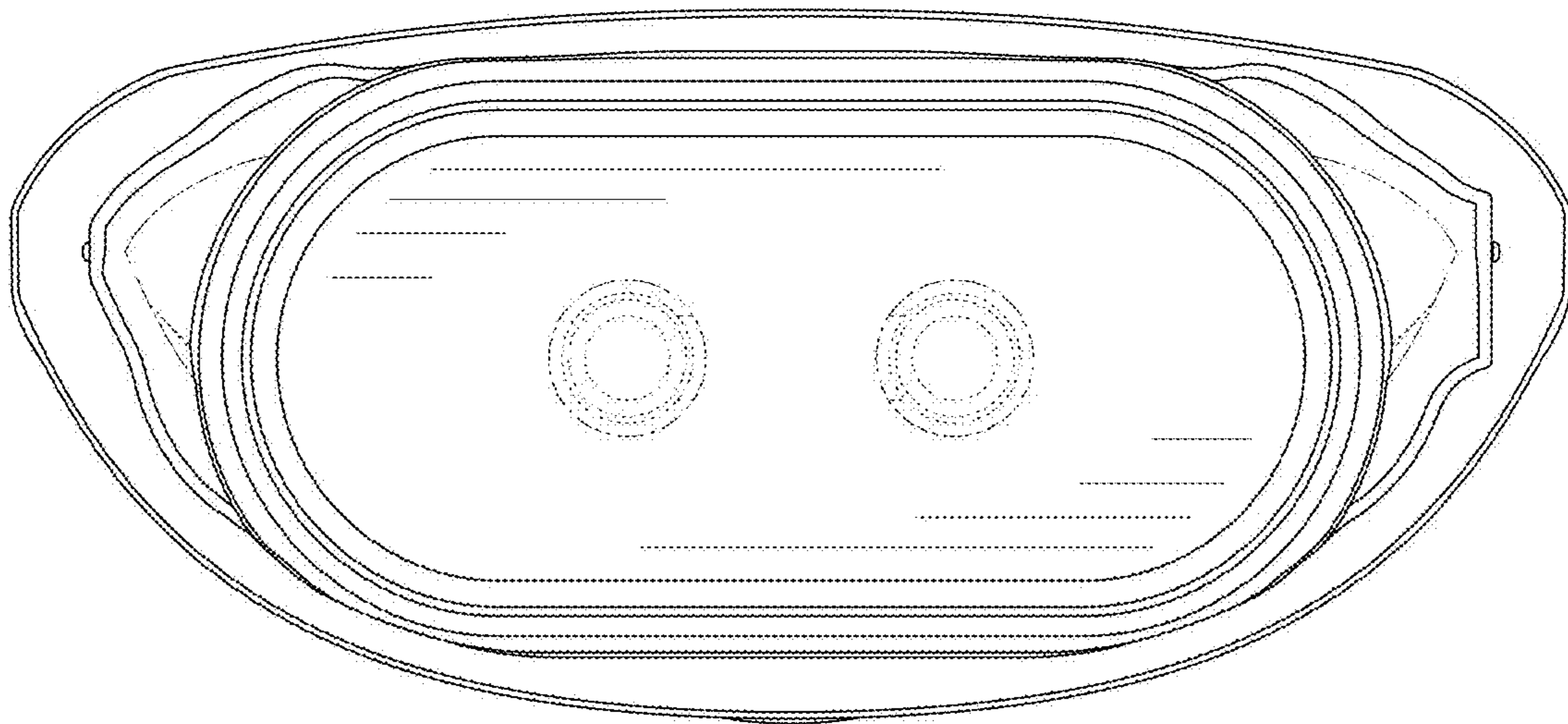


FIG. 7

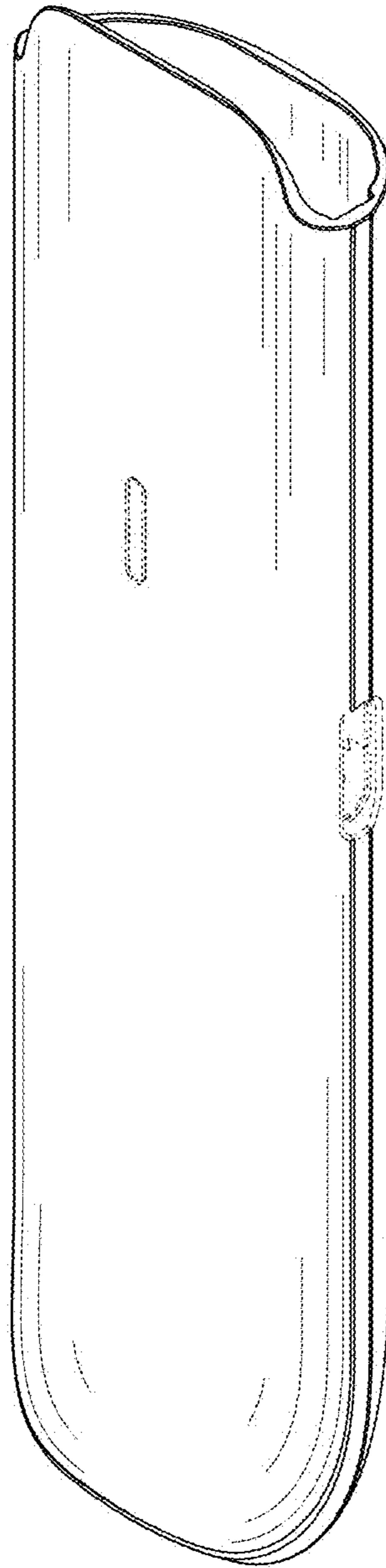


FIG. 8

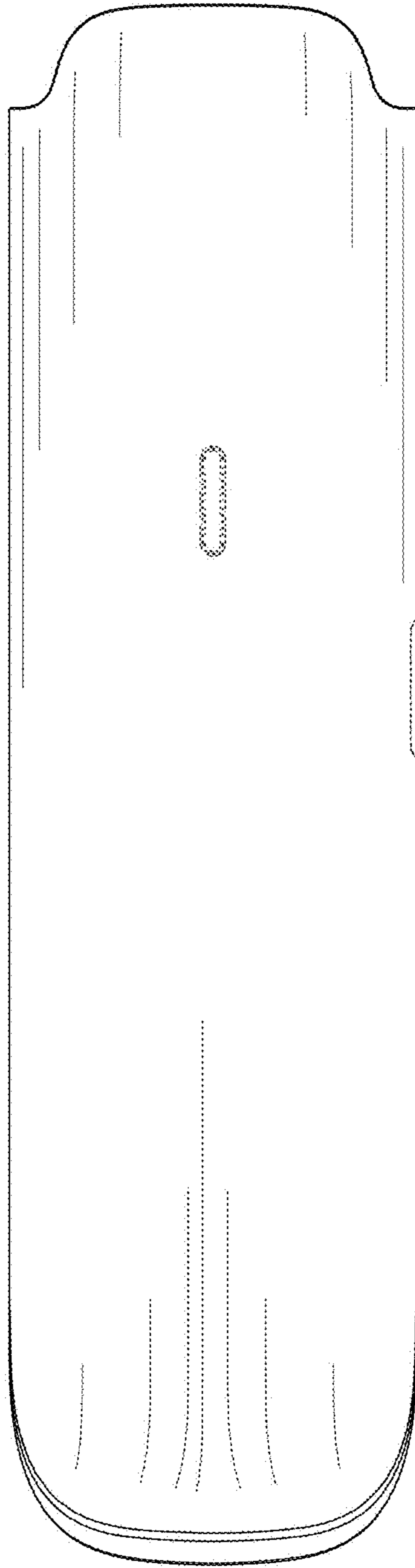


FIG. 9

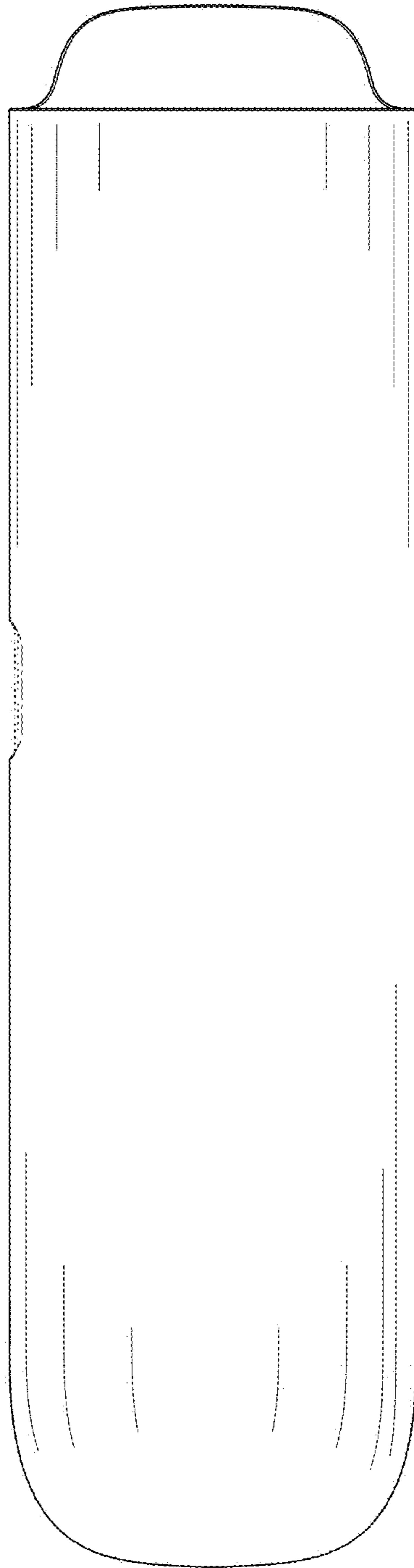


FIG. 10

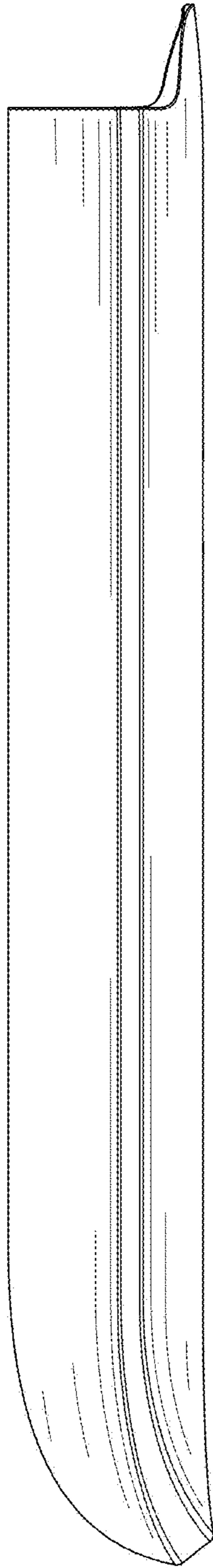


FIG. 11

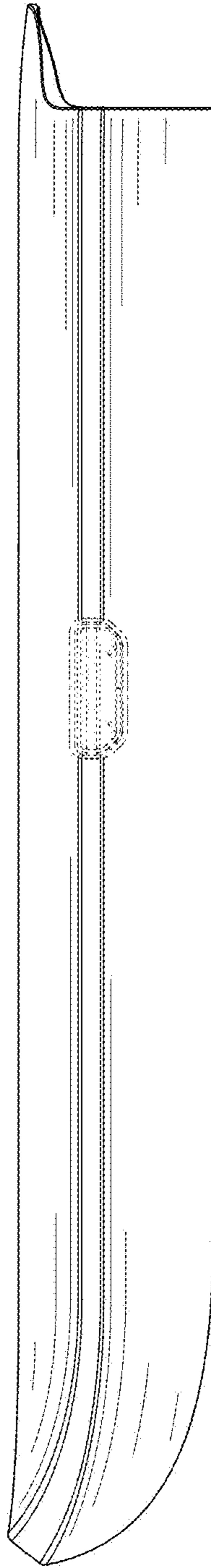


FIG. 12

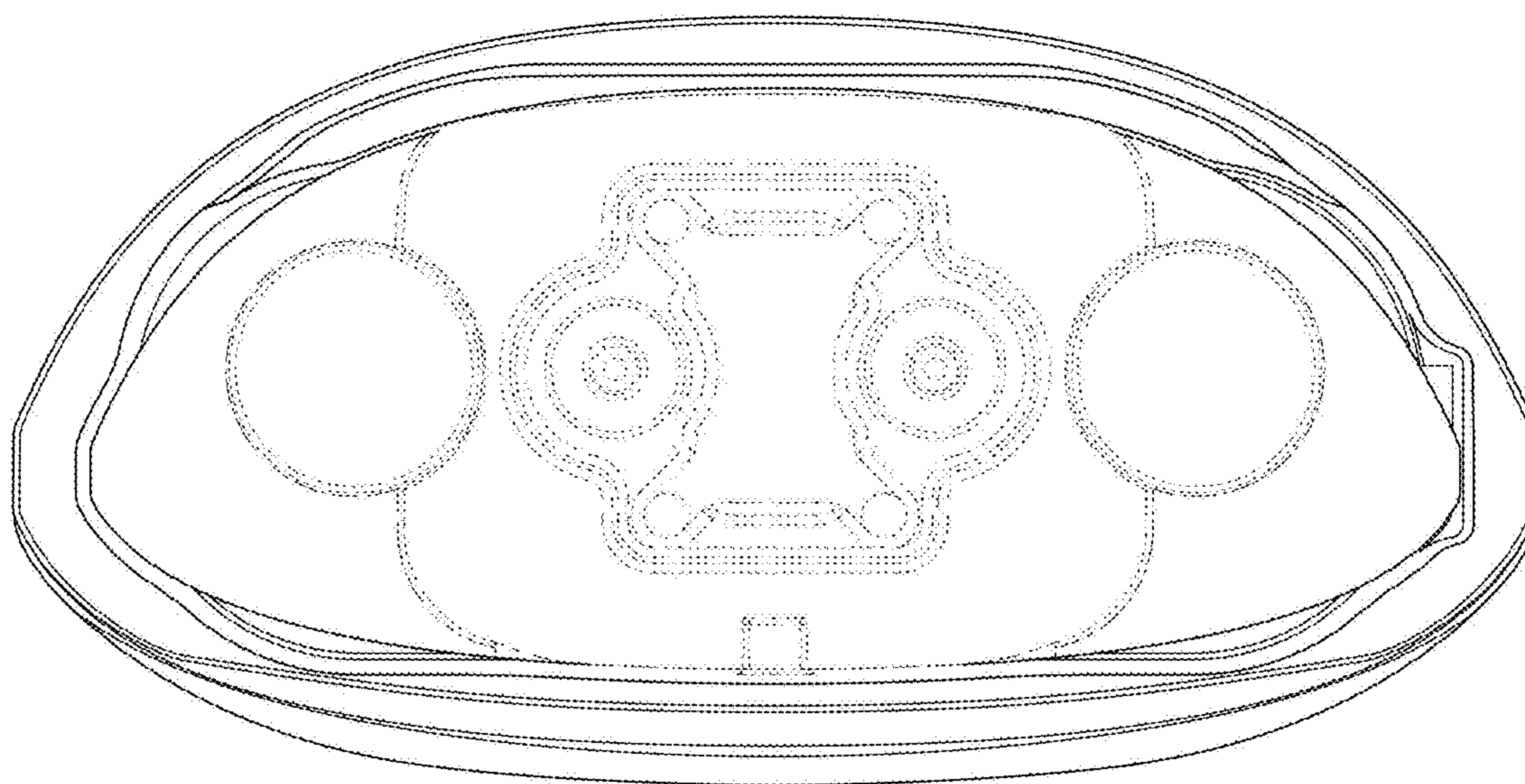


FIG. 13

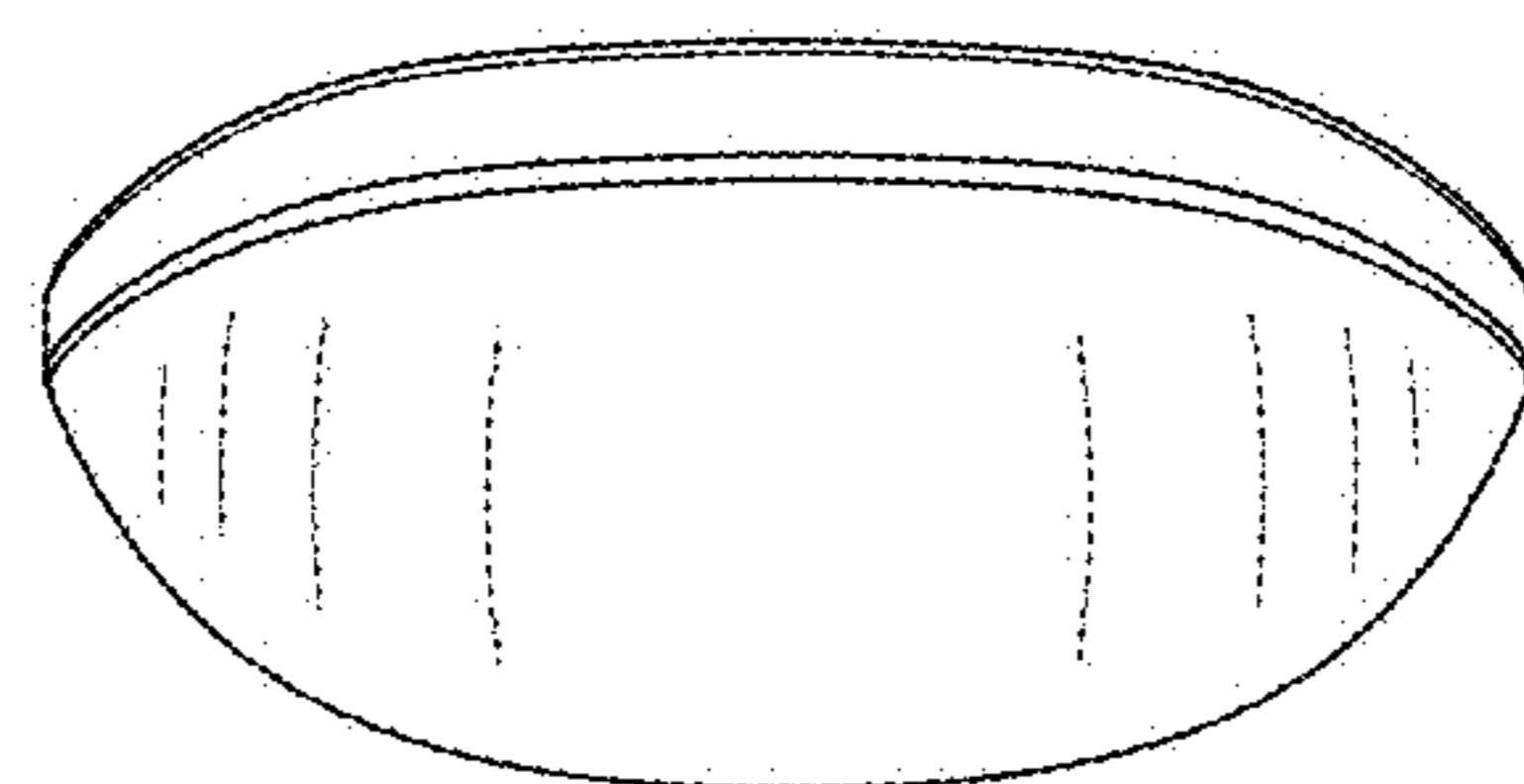


FIG. 14

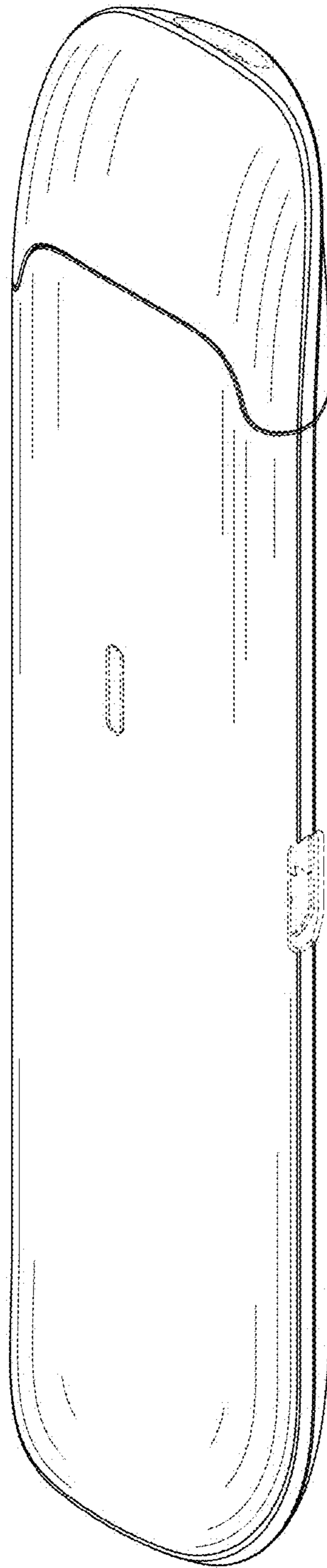


FIG. 15

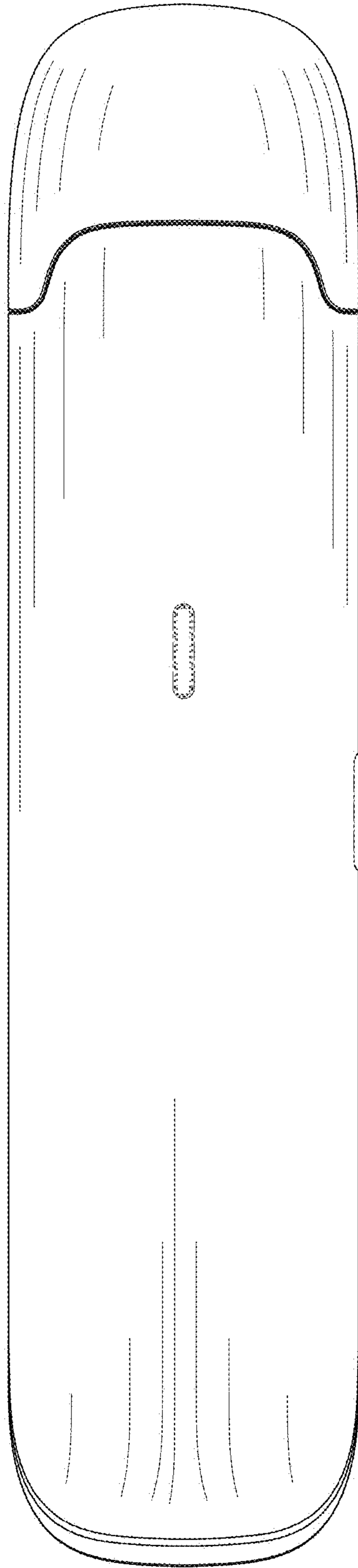


FIG. 16

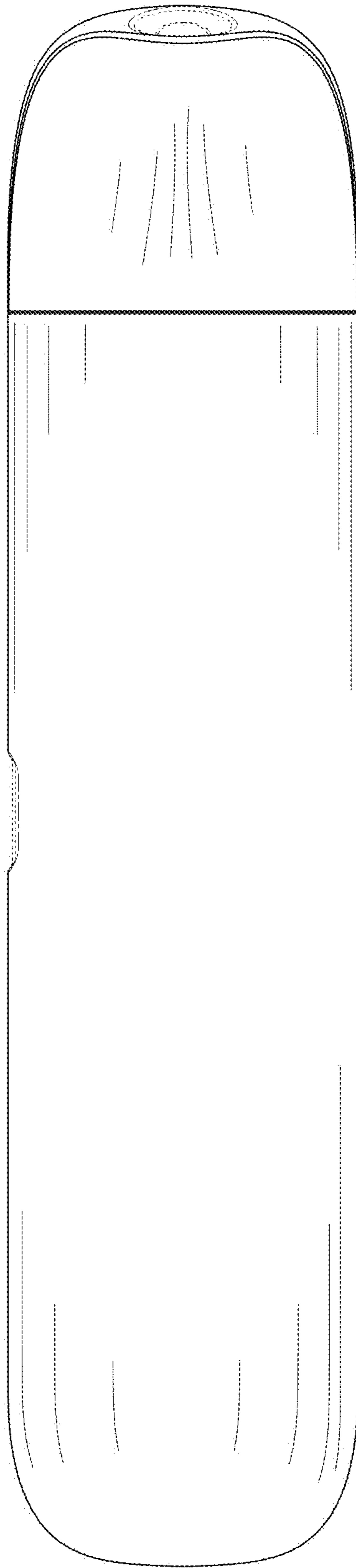


FIG. 17

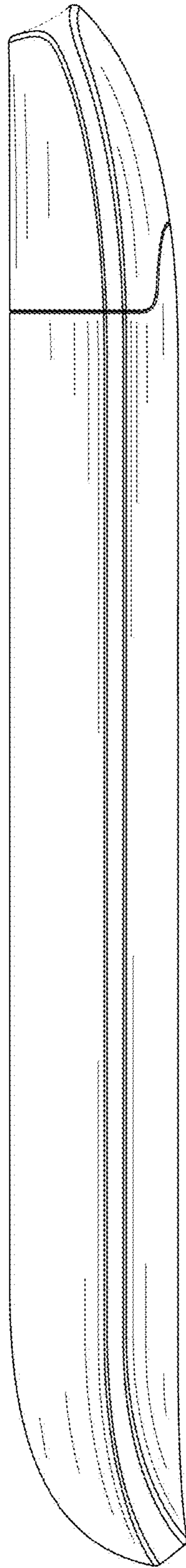


FIG. 18

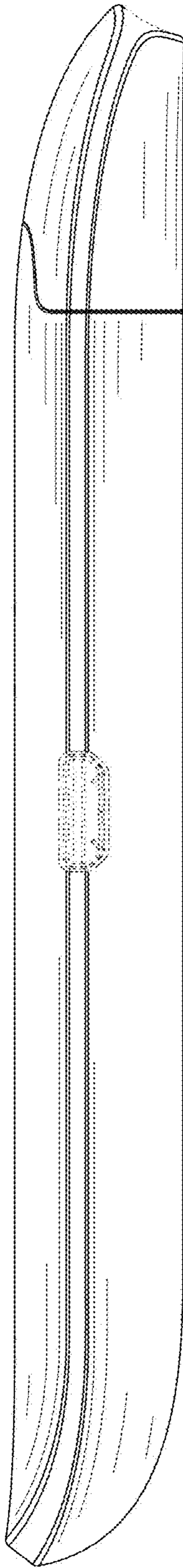


FIG. 19

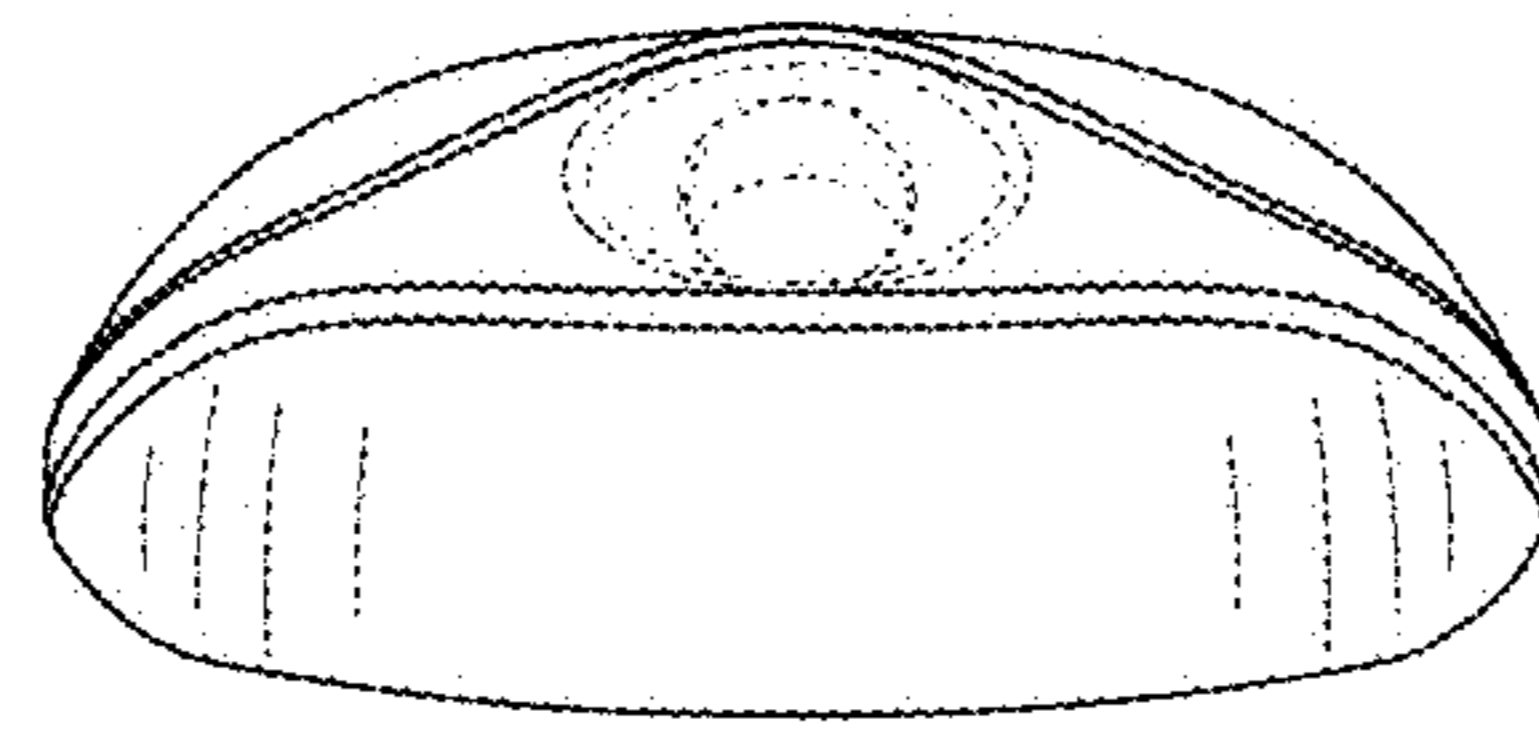


FIG. 20

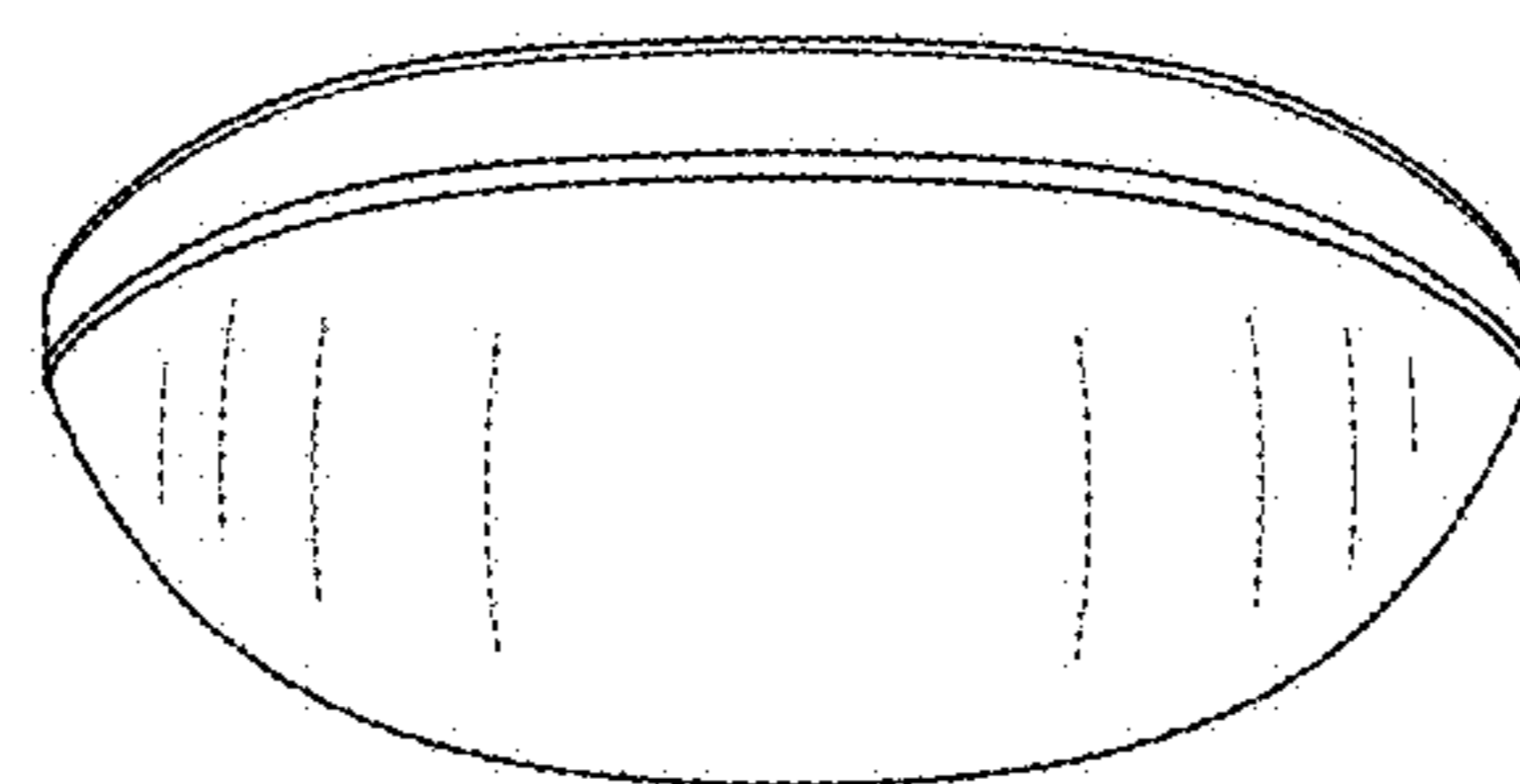


FIG. 21