



US00D893093S

(12) **United States Design Patent** (10) **Patent No.:** **US D893,093 S**  
**Jurkiewicz** (45) **Date of Patent:** **\*\* Aug. 11, 2020**

(54) **LIGHTHEAD**  
(71) Applicant: **American Sterilizer Company,**  
Mentor, OH (US)  
(72) Inventor: **Damon Thomas Jurkiewicz,**  
Cleveland, OH (US)  
(\*\*) Term: **15 Years**  
(21) Appl. No.: **29/635,917**  
(22) Filed: **Feb. 5, 2018**  
(51) **LOC (12) Cl.** ..... **26-99**  
(52) **U.S. Cl.**  
USPC ..... **D26/142; D26/51; D26/118**  
(58) **Field of Classification Search**  
USPC ..... D26/113, 51, 63, 65, 67, 68, 52  
CPC .... F21S 8/04; F21S 8/00; F21V 21/00; F21V  
17/02; F21V 14/02; F21V 21/30; F21V  
21/14; F21V 21/26; F21W 2131/10  
See application file for complete search history.

6,644,837 B2 \* 11/2003 Borders ..... F21V 7/09  
362/399  
D483,147 S \* 12/2003 Farmer ..... D26/118  
D484,638 S \* 12/2003 Pallo ..... D26/142  
6,692,141 B2 \* 2/2004 Jesurun ..... F21V 21/403  
362/399  
D542,947 S \* 5/2007 Rose ..... D26/24  
D597,238 S \* 7/2009 Lu ..... D16/135  
7,757,352 B2 \* 7/2010 Halamish ..... A61B 46/10  
16/421  
D688,289 S \* 8/2013 Hodgson ..... D16/135  
D690,457 S \* 9/2013 Lu ..... D26/118  
D766,482 S \* 9/2016 Cai ..... D26/65  
D766,496 S \* 9/2016 Maerzke ..... D26/118  
D790,764 S \* 6/2017 Hood ..... D26/142  
10,292,785 B2 \* 5/2019 Hampe ..... A61B 90/35  
10,295,164 B2 \* 5/2019 Liang ..... H05B 37/0227  
2003/0014834 A1 \* 1/2003 Naughton ..... F21S 9/037  
16/110.1

\* cited by examiner

*Primary Examiner* — Lakiya G Rogers  
*Assistant Examiner* — Carissa C Fitts  
(74) *Attorney, Agent, or Firm* — Kusner & Jaffe

(57) **CLAIM**

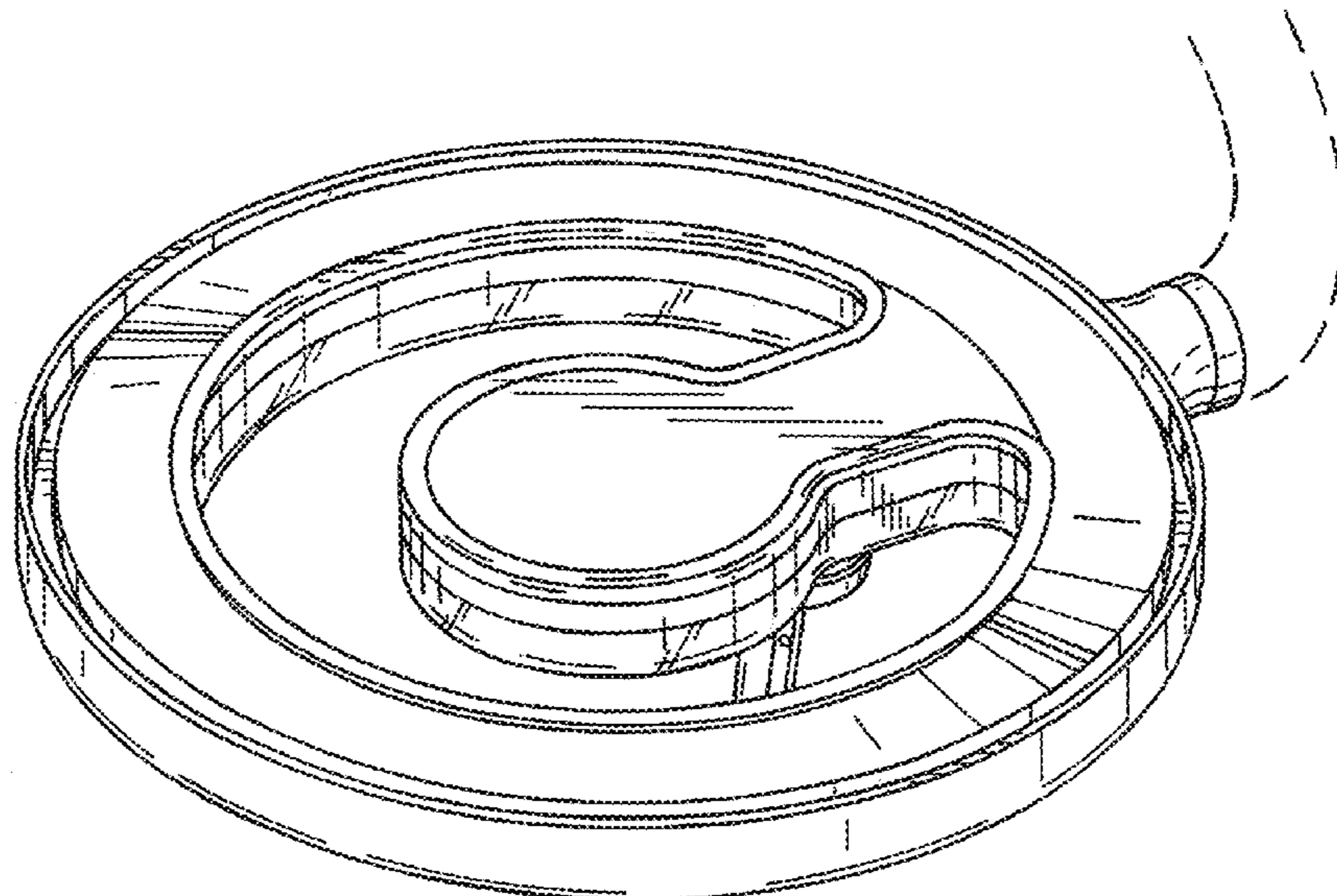
The ornamental design for a lighthouse, as shown and described.

**DESCRIPTION**

FIG. 1 is a top perspective view of a lighthouse showing my new design;  
FIG. 2 is a bottom perspective view thereof;  
FIG. 3 is a front elevational view thereof;  
FIG. 4 is a left side elevational view thereof;  
FIG. 5 is a right side elevational view thereof;  
FIG. 6 is a rear elevational view thereof;  
FIG. 7 is a top plan view thereof; and,  
FIG. 8 is a bottom plan view thereof.  
The broken lines are directed to environment and form no part of the claimed design.

**1 Claim, 4 Drawing Sheets**

(56) **References Cited**  
U.S. PATENT DOCUMENTS  
D254,632 S \* 4/1980 Brendgord ..... D26/65  
D297,056 S \* 8/1988 Sestak ..... D26/65  
4,878,156 A \* 10/1989 Hallings ..... F21V 21/403  
362/109  
5,025,359 A \* 6/1991 Saluja ..... F21V 21/28  
248/325  
5,165,786 A \* 11/1992 Hubert ..... F21V 15/04  
362/272  
5,709,465 A \* 1/1998 Lanzone ..... F21V 21/406  
362/399  
D421,148 S \* 2/2000 Borders ..... D26/113  
D421,507 S \* 3/2000 Borders ..... D26/118  
D430,696 S \* 9/2000 Borders ..... D26/113  
D441,490 S \* 5/2001 Borders ..... D26/113  
D447,261 S \* 8/2001 Tang ..... D26/63  
D480,831 S \* 10/2003 Pallo ..... D26/142



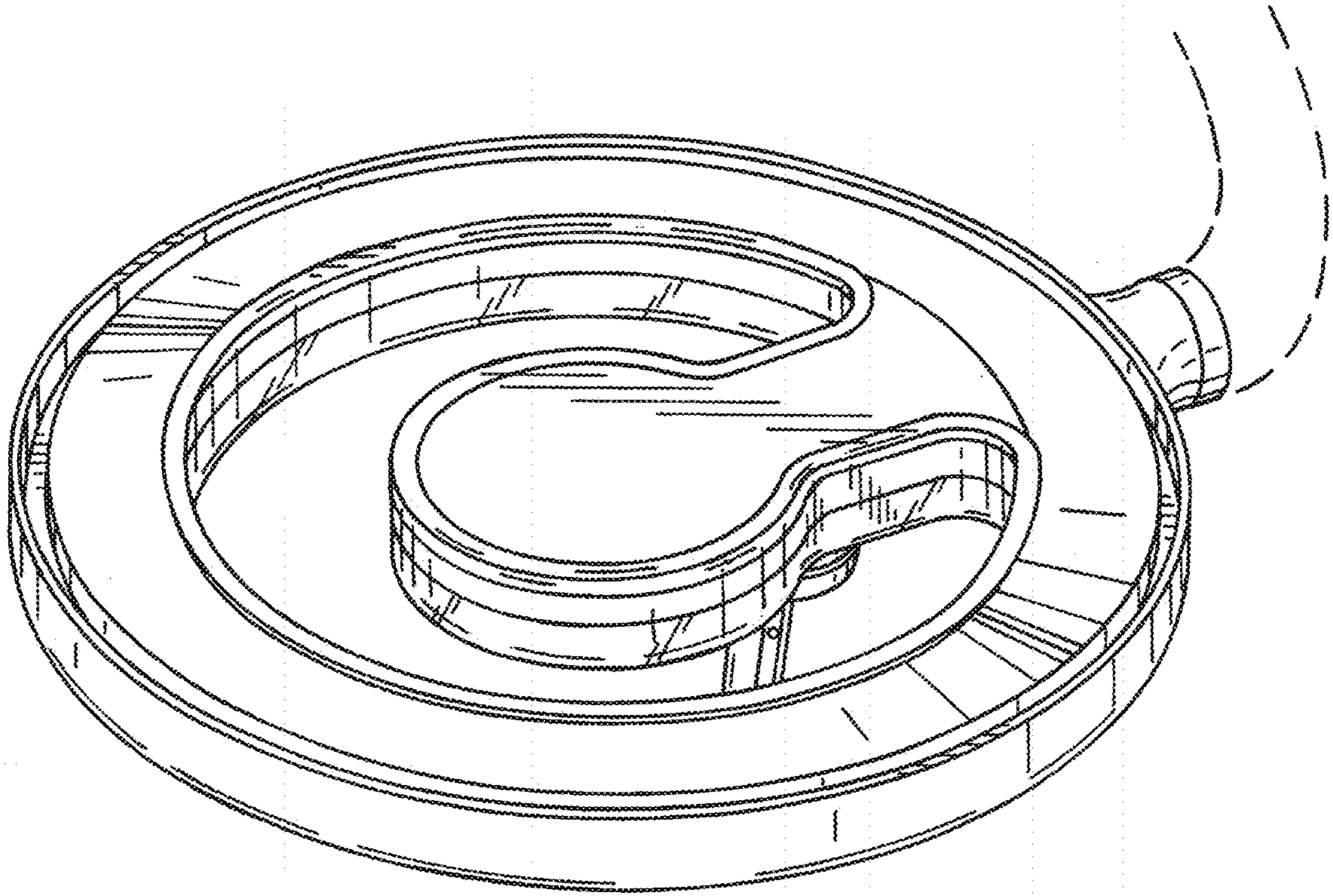


FIG. 1

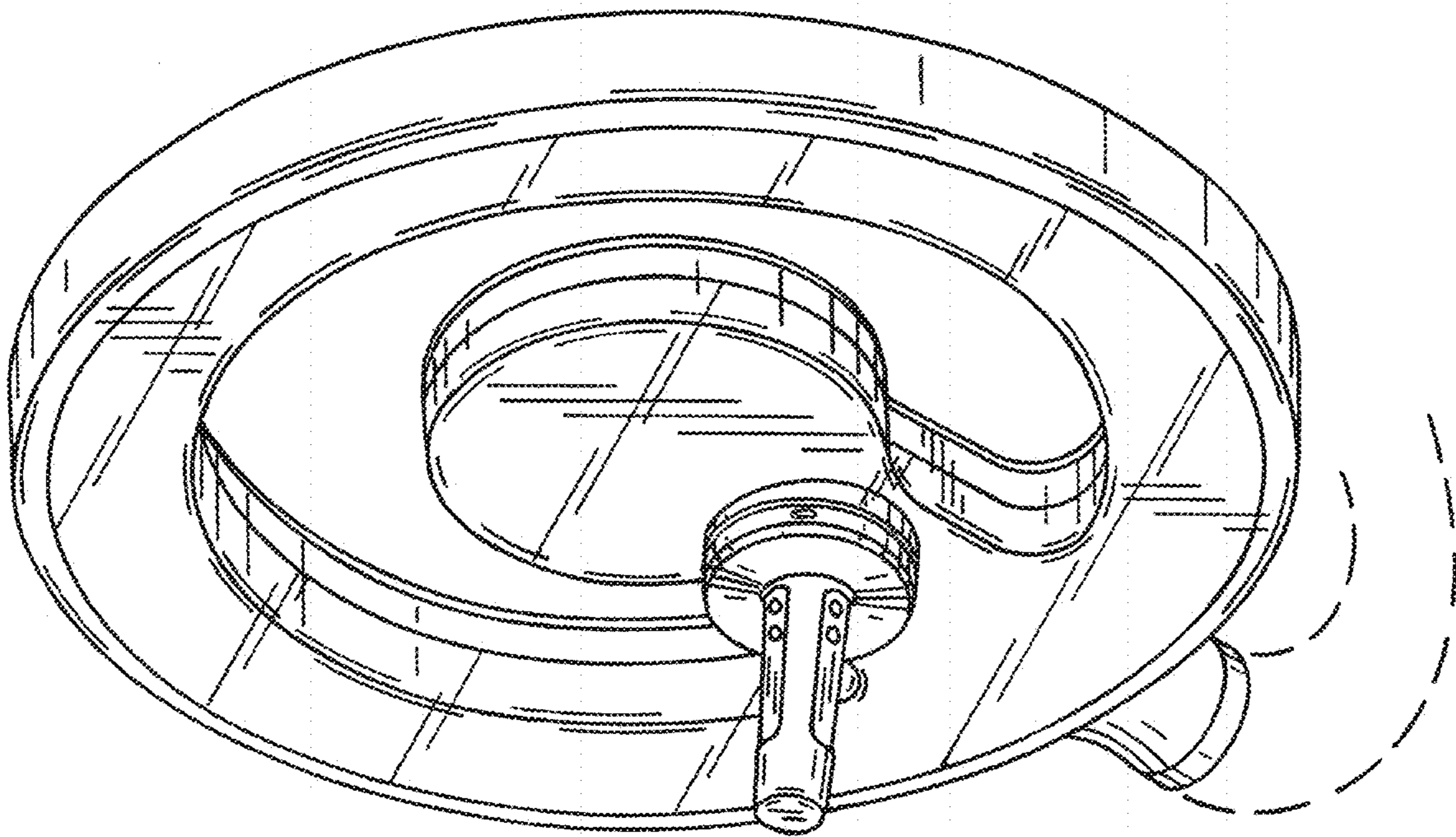


FIG. 2

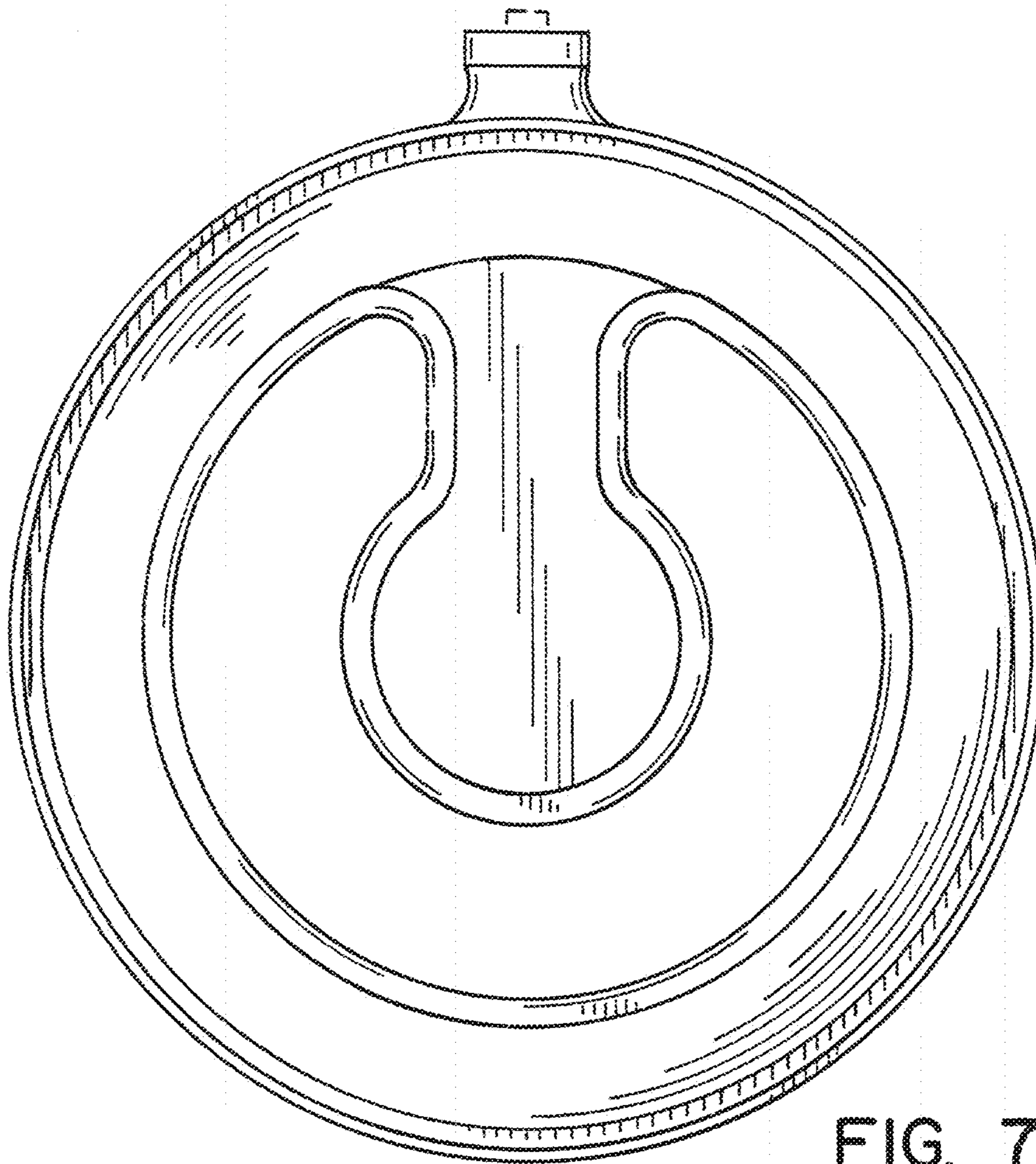


FIG. 7

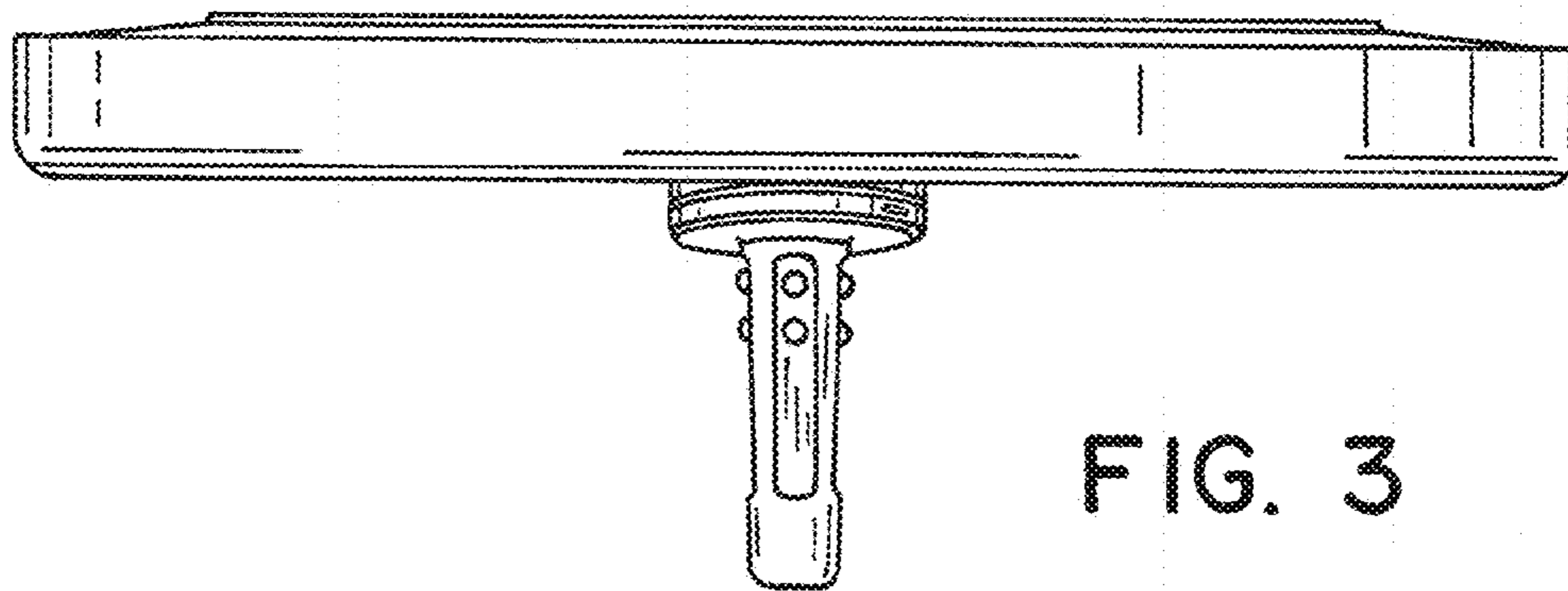
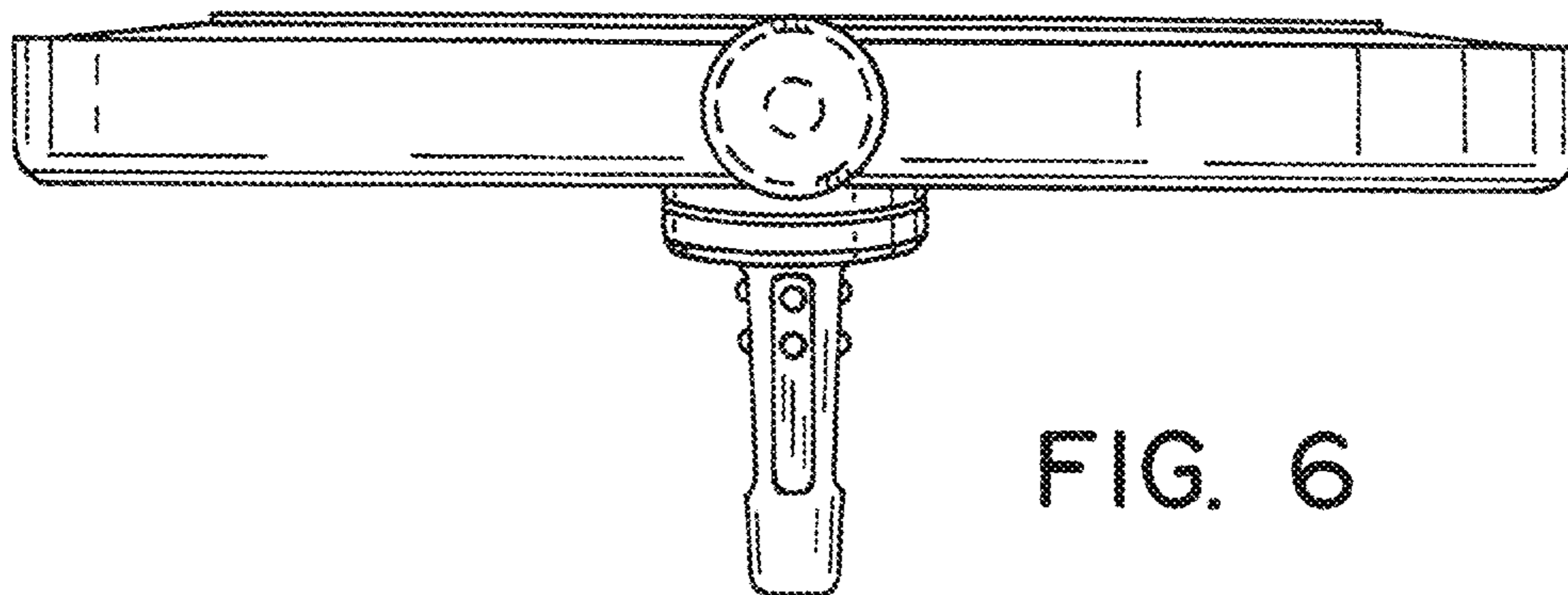
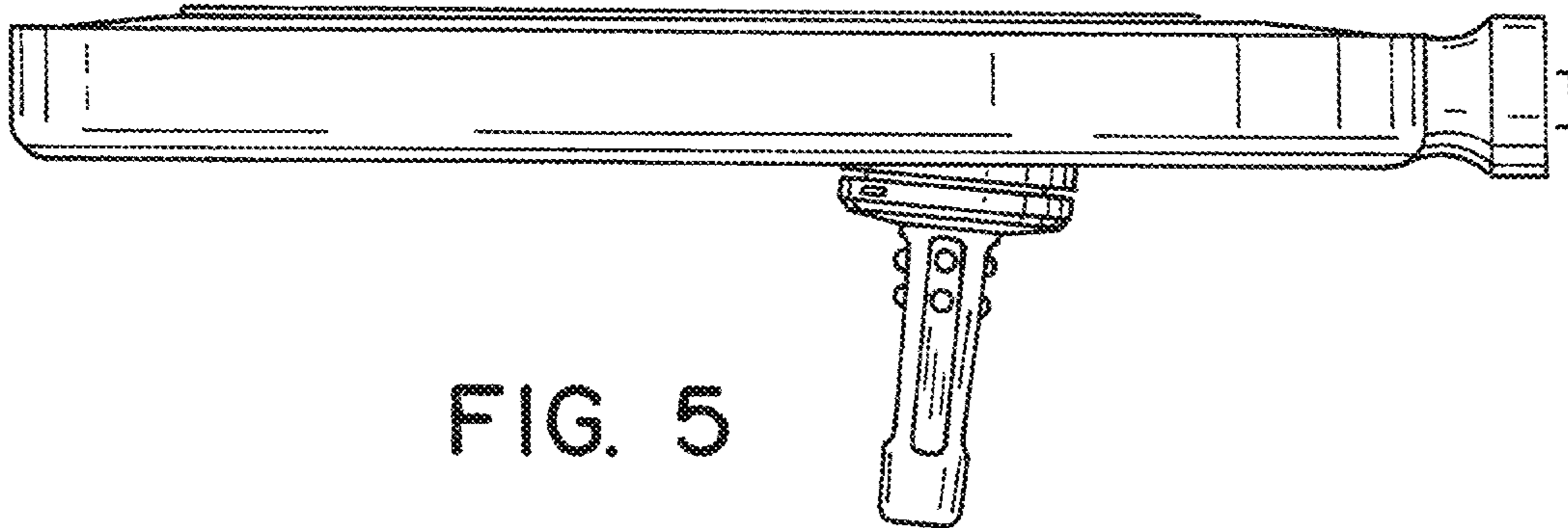
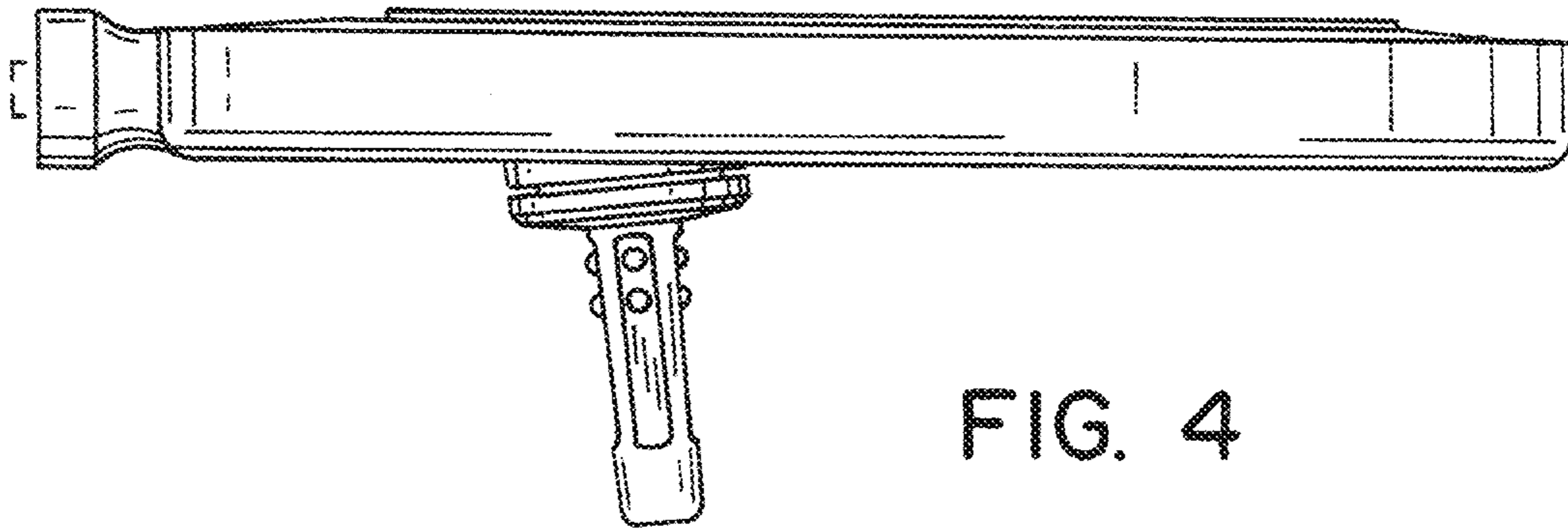


FIG. 3



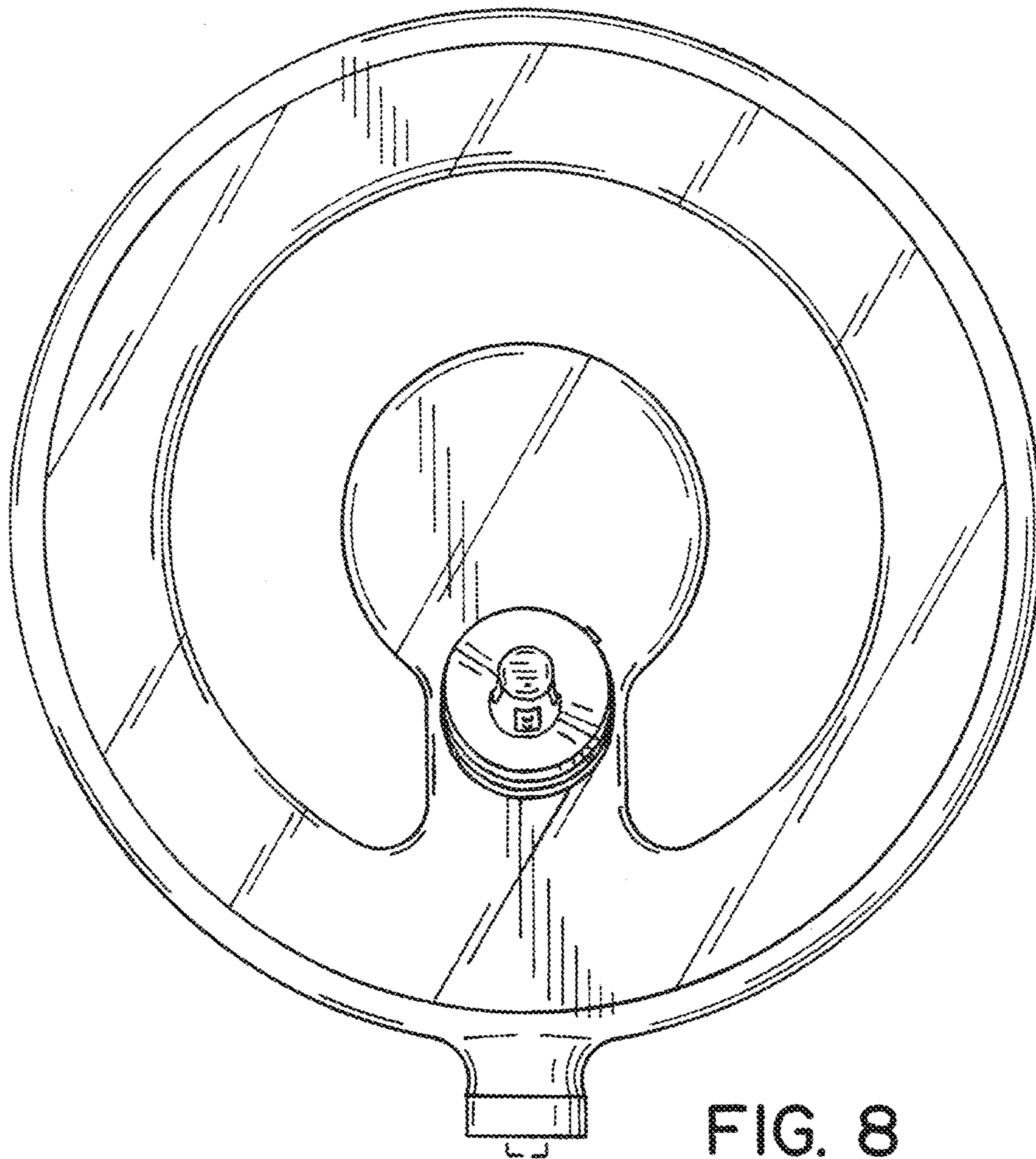


FIG. 8