



US00D893092S

(12) **United States Design Patent**
Roys et al.

(10) **Patent No.:** **US D893,092 S**

(45) **Date of Patent:** **** Aug. 11, 2020**

(54) **END CAP FOR AN LED STICK**
(71) Applicants: **Curtis Alan Roys**, Fredericksburg, TX (US); **Sidney Howard Norton**, Odessa, TX (US)

(72) Inventors: **Curtis Alan Roys**, Fredericksburg, TX (US); **Sidney Howard Norton**, Odessa, TX (US)

(**) Term: **15 Years**

(21) Appl. No.: **29/708,640**

(22) Filed: **Oct. 8, 2019**

Related U.S. Application Data

(62) Division of application No. 29/641,055, filed on Mar. 19, 2018, now Pat. No. Des. 868,349, which is a division of application No. 15/219,246, filed on Jul. 25, 2016, now Pat. No. 10,220,005, which is a division of application No. 29/568,321, filed on Jun. 16, 2016, now Pat. No. Des. 811,627.

(51) **LOC (12) Cl.** **26-05**

(52) **U.S. Cl.**
USPC **D26/138**

(58) **Field of Classification Search**
USPC D26/72, 74, 76, 78-83, 85, 86, 88, 90, D26/93, 111, 113, 118, 119, 120, 121, D26/122, 138, 139, 140, 141, 142, 152
CPC F21S 2/00; F21S 4/00; F21S 4/003; F21S 4/005; F21S 4/006
See application file for complete search history.

(56) **References Cited**

U.S. PATENT DOCUMENTS

4,617,615 A 10/1986 Eychaner
D291,556 S 8/1987 Engel
5,688,042 A 11/1997 Madadi et al.
6,210,019 B1 4/2001 Weathers

D448,096 S 9/2001 Choi
6,502,952 B1 1/2003 Hartley
D477,093 S 7/2003 Moriyama et al.
D506,274 S 6/2005 Moriyama et al.
D513,079 S 12/2005 Kluijfhout et al.
D514,515 S * 2/2006 Wiskerke D13/134
D516,511 S * 3/2006 Wiskerke D13/134
7,052,171 B1 5/2006 Lefebvre et al.
D546,765 S * 7/2007 Ciancanelli D13/136
D557,452 S * 12/2007 Kitagawa D26/138
D584,429 S 1/2009 Pei et al.
7,488,086 B2 2/2009 Wu et al.
7,520,628 B1 4/2009 Sloan et al.

(Continued)

FOREIGN PATENT DOCUMENTS

CN 201487639 U 5/2010
CN 202901882 U 4/2013

(Continued)

Primary Examiner — Mark A Goodwin
Assistant Examiner — Benjamin M Weeks
(74) *Attorney, Agent, or Firm* — Scheinberg & Associates, PC; Michael O. Scheinberg

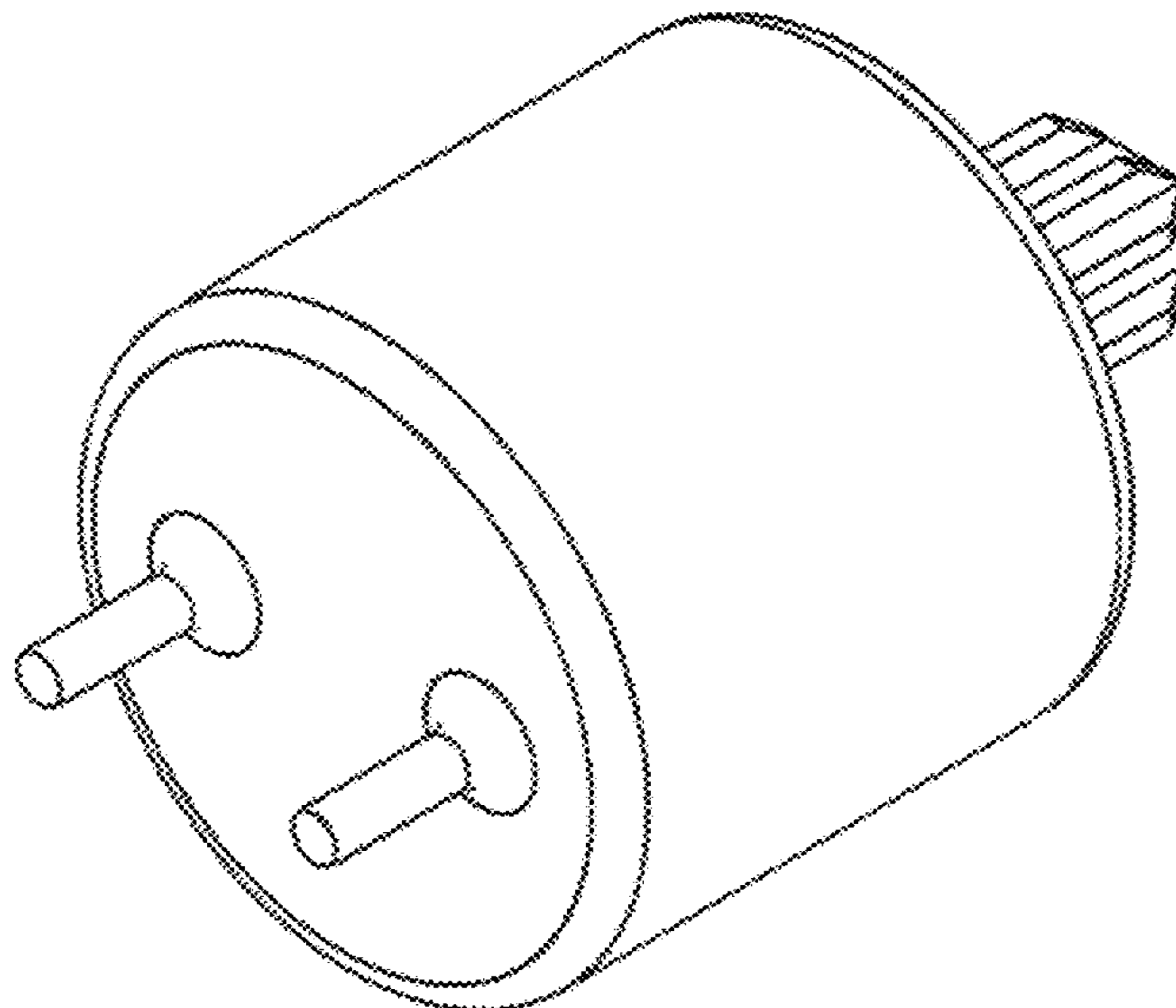
(57) **CLAIM**

We claim the ornamental design for an end cap for an LED stick, as shown and described.

DESCRIPTION

FIG. 1 is an isometric view of an embodiment of an end cap for an LED stick, showing our new design;
FIG. 2 is front elevation thereof;
FIG. 3 is rear elevation thereof;
FIG. 4 is a right elevation thereof;
FIG. 5 is a top plan view thereof; and,
FIG. 6 is a cross-sectional view thereof.
The left elevation is a mirror image of the right elevation and the bottom plan view is the same as the top plan view, but rotated 180 degrees.

1 Claim, 3 Drawing Sheets



(56)

References Cited

U.S. PATENT DOCUMENTS

D594,999 S 6/2009 Uchida et al.
 D601,726 S 10/2009 Mollaert et al.
 D603,085 S 10/2009 Kovacs et al.
 D603,086 S * 10/2009 Zayas D26/113
 D610,724 S 2/2010 Chiang et al.
 D616,822 S * 6/2010 Zayas D13/134
 D633,870 S 3/2011 Thommes
 D639,993 S 6/2011 Mier-Langner et al.
 7,976,196 B2 7/2011 Ivey et al.
 8,075,167 B2 12/2011 Shin
 D663,865 S 7/2012 Betsuda et al.
 8,232,713 B2 7/2012 Li et al.
 8,328,386 B2 12/2012 Catalano et al.
 8,419,223 B2 4/2013 Withers
 8,434,914 B2 5/2013 Li et al.
 D685,519 S 7/2013 Teranishi et al.
 8,474,998 B2 7/2013 Wang et al.
 8,573,813 B2 11/2013 Ivey et al.
 8,636,391 B2 1/2014 Dellian et al.
 D700,387 S 2/2014 Snell
 D700,578 S * 3/2014 Cheng D13/134
 D702,866 S 4/2014 Blincoe et al.
 8,840,265 B2 * 9/2014 Moon F21V 29/83
 362/219
 D715,987 S 10/2014 Pugh
 D729,418 S 5/2015 Baum et al.
 D744,127 S 11/2015 Glachman
 D745,722 S 12/2015 Smith
 D746,508 S 12/2015 Deluca et al.
 D747,818 S 1/2016 Popper et al.
 D761,453 S 7/2016 Sorokin
 9,441,819 B2 9/2016 Randolph et al.
 9,500,340 B2 11/2016 Stone et al.
 D783,198 S * 4/2017 Cartellone D26/113
 D783,199 S * 4/2017 Cartellone D26/113
 9,651,224 B1 5/2017 Burgess et al.
 D796,701 S 9/2017 Moon et al.
 D796,729 S * 9/2017 Sonneman D26/118
 D797,323 S 9/2017 Yang et al.
 D797,336 S 9/2017 Inskeep
 D801,574 S * 10/2017 Amato D26/118
 D803,470 S 11/2017 Austin
 D803,784 S * 11/2017 Wadhvani D13/134
 9,851,054 B2 12/2017 Vincent
 D809,703 S * 2/2018 Lin D26/138
 D811,627 S 2/2018 Roys
 9,995,471 B2 6/2018 Huang et al.
 D822,889 S * 7/2018 Cartellone D26/138
 D825,829 S 8/2018 Guo
 D831,879 S 10/2018 Minale et al.
 10,101,011 B2 10/2018 Markey et al.
 D833,046 S 11/2018 Jiang
 D833,050 S 11/2018 Prieto
 D835,304 S 12/2018 Hirabayashi
 D835,314 S 12/2018 Sun
 D840,083 S 2/2019 Crosby

D840,084 S 2/2019 Crosby
 D844,769 S 4/2019 McRoberts et al.
 D867,653 S * 11/2019 Gorman D26/138
 D868,349 S * 11/2019 Roys F21V 23/003
 D26/138

10,487,990 B2 11/2019 Gielen et al.
 D879,261 S 3/2020 Nicolia et al.
 2004/0056600 A1 3/2004 Lapatovich et al.
 2004/0062041 A1 4/2004 Cross et al.
 2005/0185396 A1 8/2005 Kutler
 2009/0027916 A1 1/2009 Huang et al.
 2009/0073693 A1 3/2009 Nall et al.
 2009/0091929 A1 4/2009 Faubion
 2010/0008085 A1 1/2010 Ivey et al.
 2010/0102730 A1 4/2010 Simon et al.
 2010/0135020 A1 6/2010 Moore
 2011/0019413 A1 1/2011 Zimmerman et al.
 2011/0141729 A1 6/2011 Yang et al.
 2011/0235319 A1 9/2011 Fukano et al.
 2012/0008316 A1 1/2012 Ivey
 2012/0074831 A1 3/2012 Li et al.
 2012/0124874 A1 5/2012 Breihof
 2012/0161666 A1 6/2012 Antony et al.
 2013/0223052 A1 8/2013 Simon et al.
 2014/0153231 A1 6/2014 Bittmann
 2014/0160742 A1 6/2014 Rodgers et al.
 2014/0301069 A1 10/2014 Hwu et al.
 2014/0334142 A1 11/2014 Levante et al.
 2015/0016099 A1 1/2015 Khanampornpan
 2015/0092413 A1 4/2015 Li et al.
 2015/0184838 A1 7/2015 Li et al.
 2016/0018062 A1 1/2016 Zhang et al.
 2017/0023186 A1 1/2017 Norton et al.
 2017/0030530 A1 2/2017 Roys
 2017/0051882 A1 2/2017 Engel et al.

FOREIGN PATENT DOCUMENTS

CN 202915096 U 5/2013
 CN 103542273 A 1/2014
 DE 102009023055 A1 12/2010
 DE 102012211934 A1 1/2014
 DE 102814214603 A1 1/2016
 EP 2554895 A4 3/2014
 EP 3009732 A1 4/2016
 JP 2009116418 A 5/2009
 JP 2010123097 A 6/2010
 JP 2012156056 A 8/2012
 KR 1020130068957 6/2013
 WO 2011122518 A1 10/2011
 WO 2013082523 A1 6/2013
 WO 2013104624 A1 7/2013
 WO 2014048677 A1 4/2014
 WO 2014202361 A1 12/2014
 WO 2015120929 A1 8/2015
 WO 2016012124 A1 1/2016
 WO 2016012189 A1 1/2016
 WO 2017019644 A1 2/2017

* cited by examiner

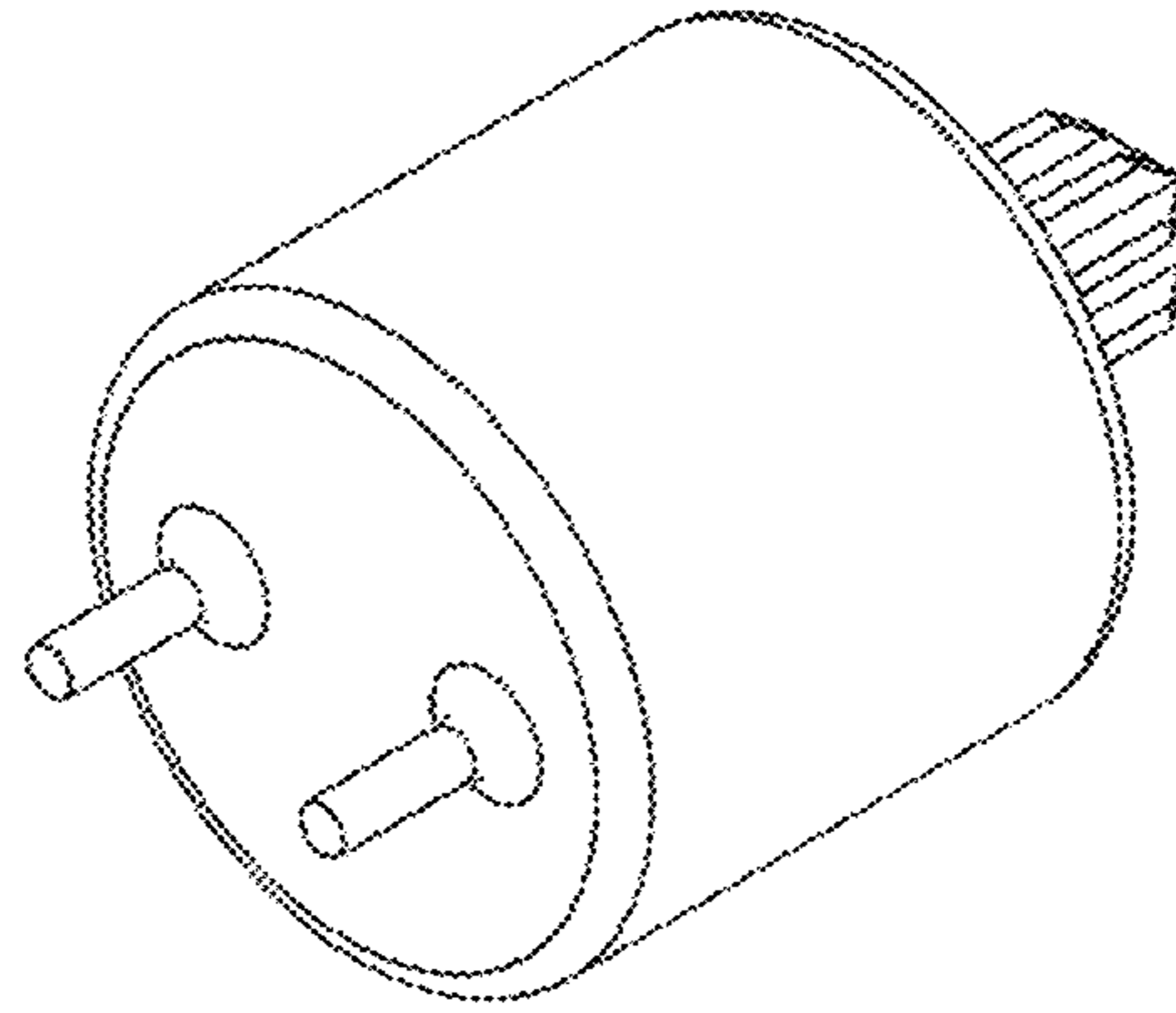


FIG. 1

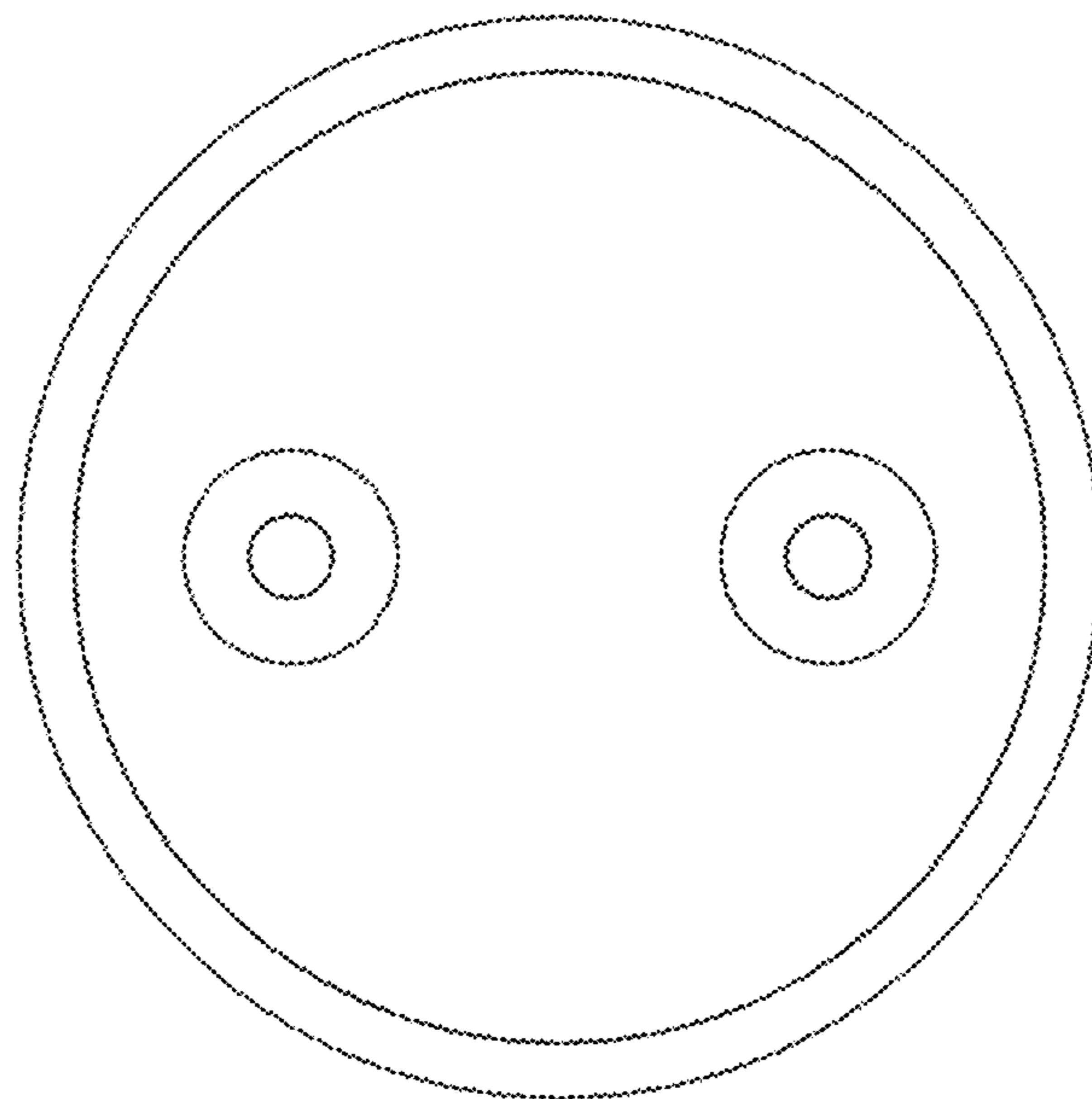


FIG. 2

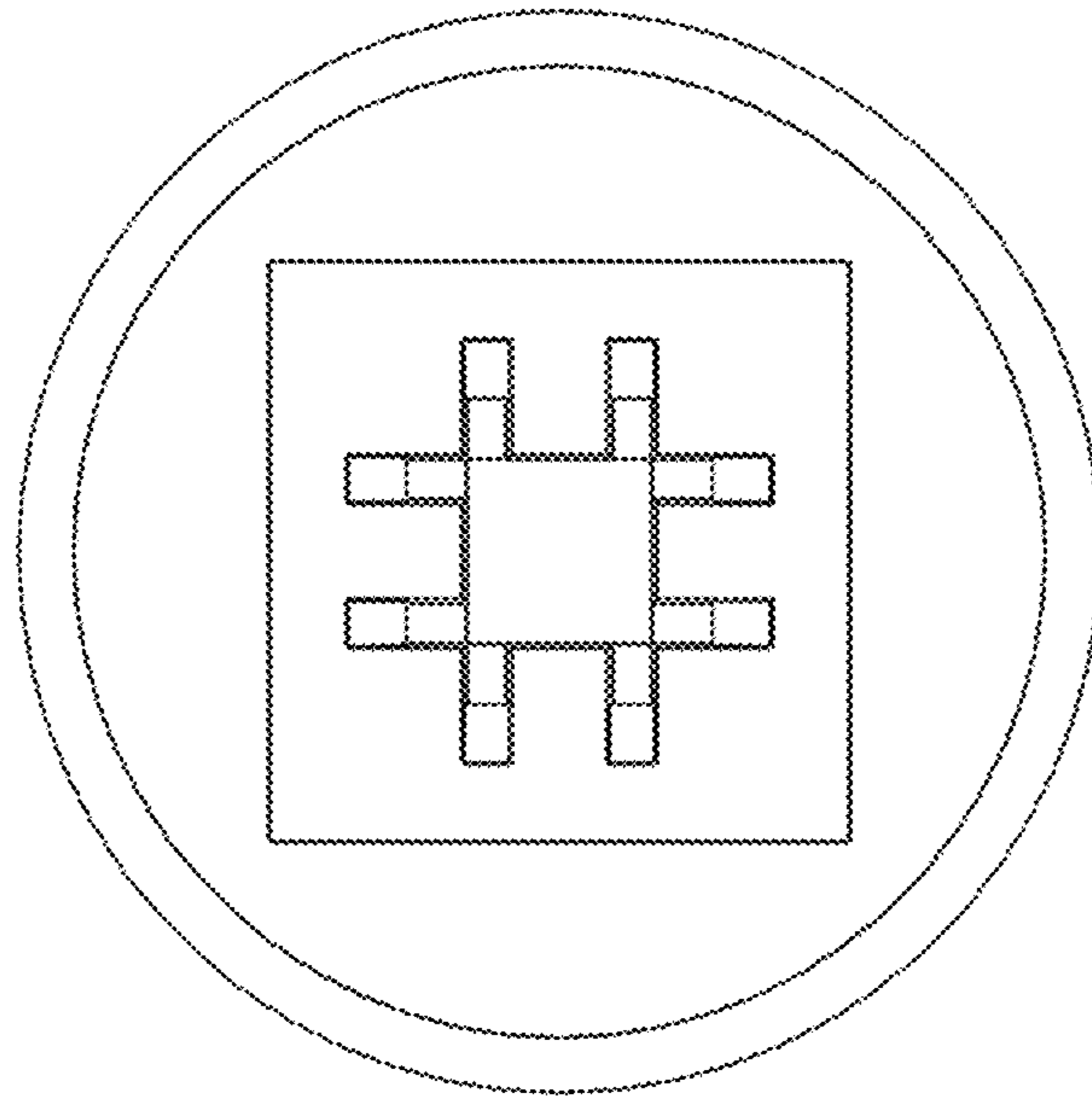


FIG. 3

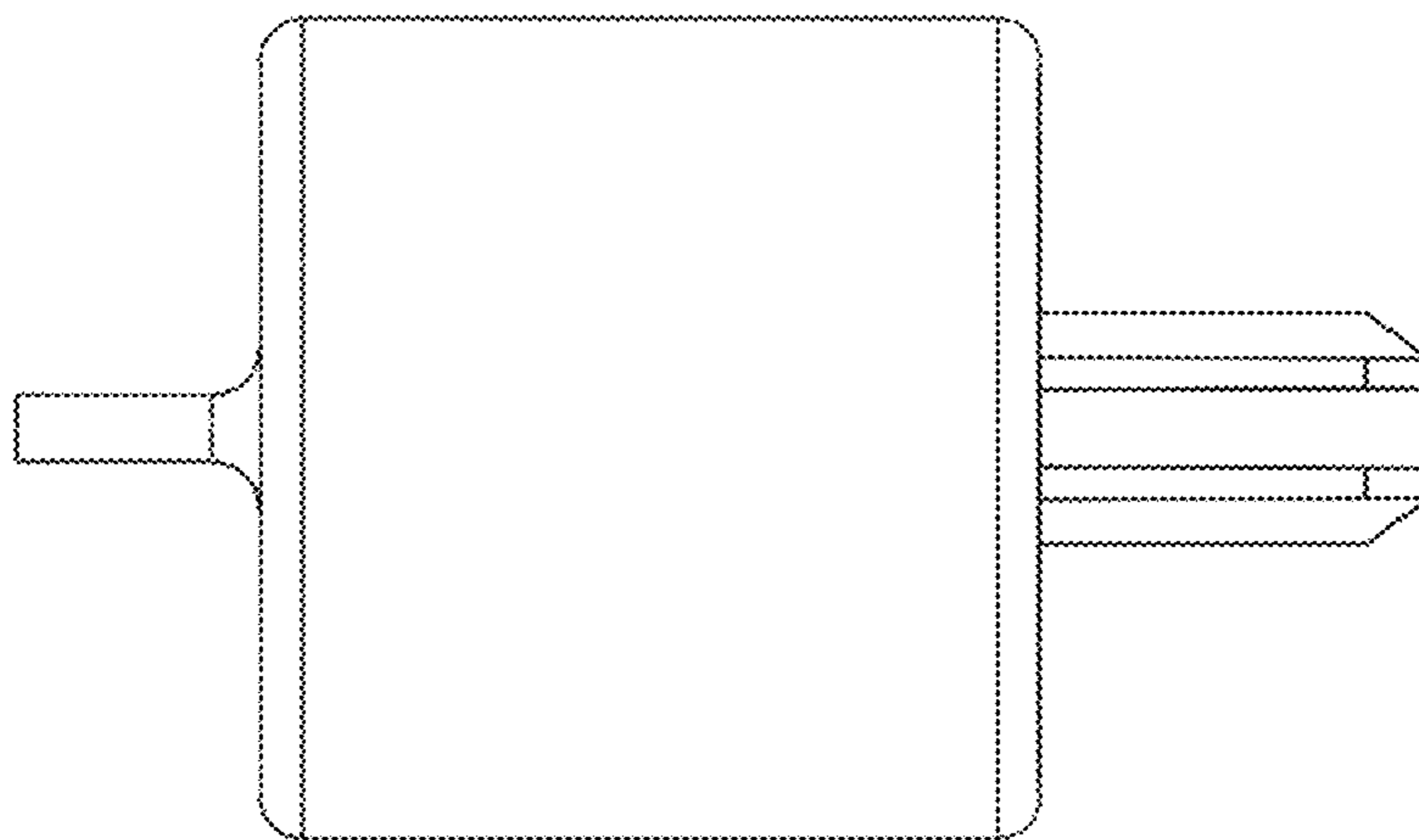


FIG. 4

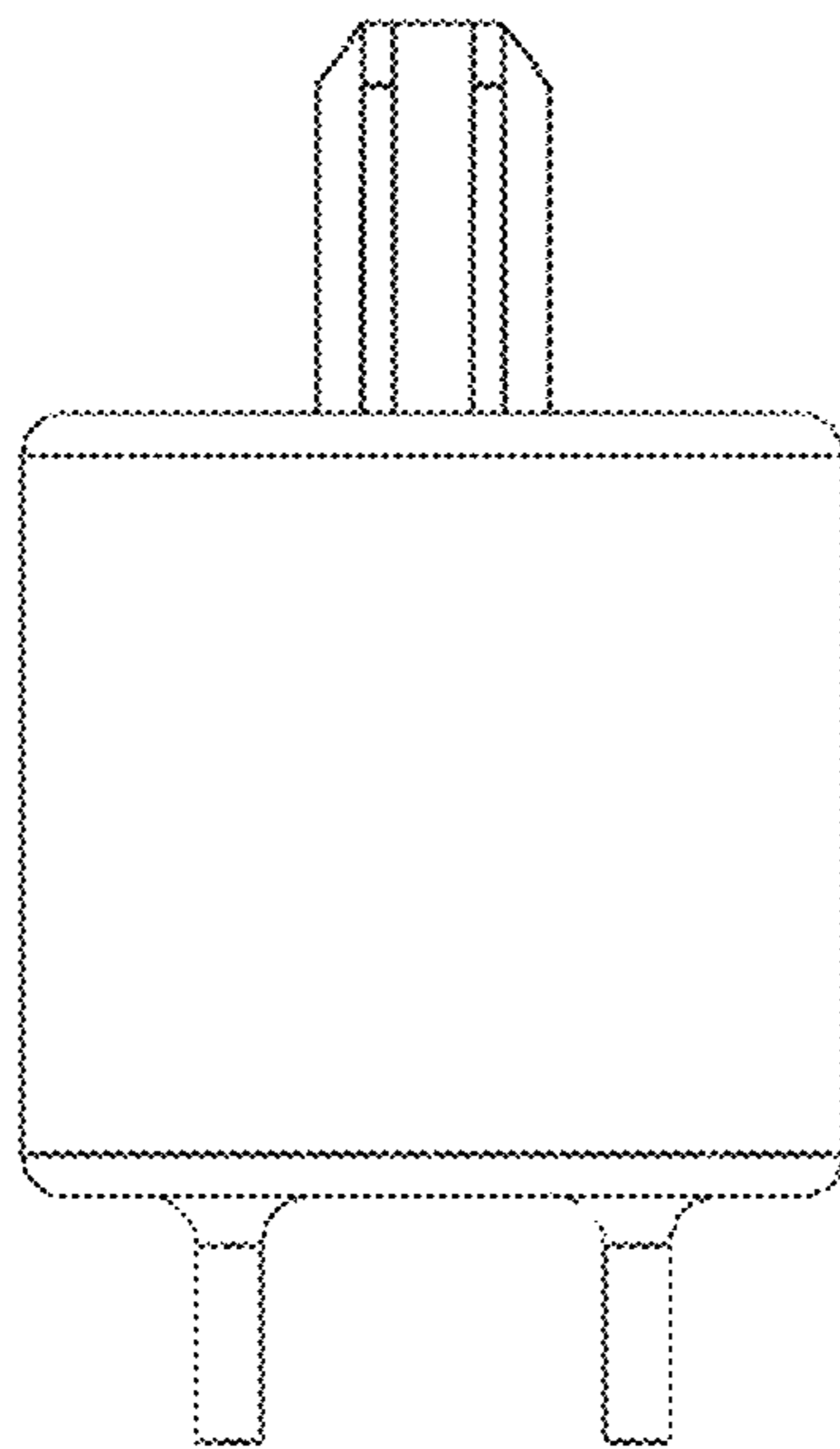


FIG. 5

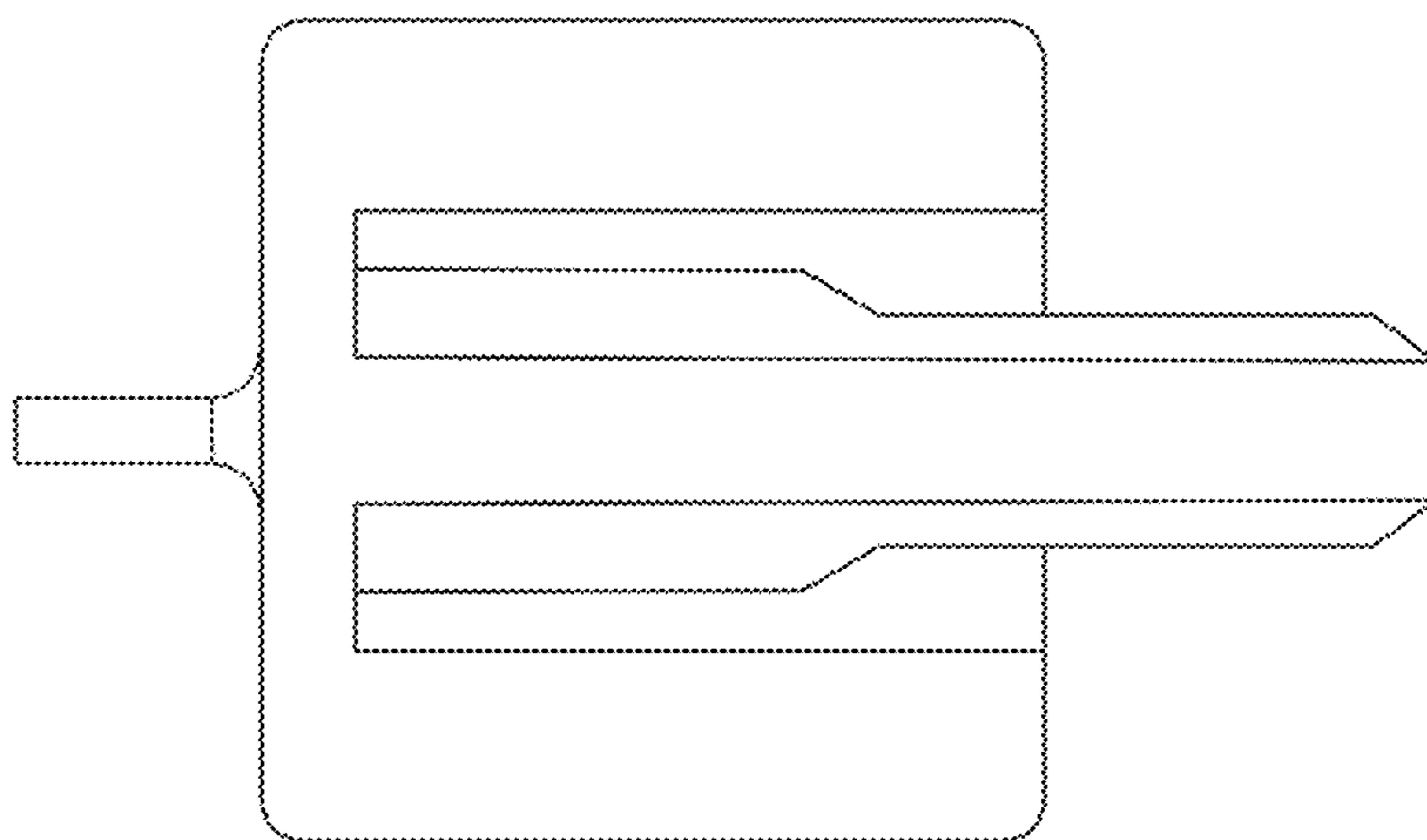


FIG. 6