



US00D893088S

(12) **United States Design Patent**  
**Viran et al.**

(10) **Patent No.:** **US D893,088 S**

(45) **Date of Patent:** **\*\* Aug. 11, 2020**

(54) **MID-FILAMENT SPACER**

(71) Applicant: **Veeco Instruments Inc.**, Plainview, NY (US)

(72) Inventors: **Premkumar Suhandira Viran**, Techview (SG); **Hao Chen**, Shanghai (CN); **Joe Lamb**, Somerset, NJ (US)

(73) Assignee: **Veeco Instruments Inc.**, Plainview, NY (US)

(\*\*) Term: **15 Years**

(21) Appl. No.: **29/656,586**

(22) Filed: **Jul. 13, 2018**

(51) **LOC (12) Cl.** ..... **26-99**

(52) **U.S. Cl.**  
USPC ..... **D26/113**

(58) **Field of Classification Search**  
USPC ..... D26/24, 72, 75, 76, 113  
CPC ..... F21K 99/00; F21S 4/00; F21V 23/00  
See application file for complete search history.

(56) **References Cited**

**U.S. PATENT DOCUMENTS**

10,240,724	B2 *	3/2019	Jiang	.....	F21V 9/30
10,324,266	B1 *	6/2019	Advani	.....	G02B 7/021
2004/0008525	A1 *	1/2004	Shibata	.....	F21K 9/232
					313/271
2013/0235592	A1 *	9/2013	Takeuchi	.....	F21V 23/001
					362/363
2014/0268779	A1 *	9/2014	Sorensen	.....	F21K 9/232
					362/249.06
2015/0070871	A1 *	3/2015	Chen		
2015/0255440	A1 *	9/2015	Hsieh	.....	H01L 27/153
					257/88

\* cited by examiner

Primary Examiner — Zenia I Bennett

(74) *Attorney, Agent, or Firm* — Patterson Thuent Pederson, P.A.

(57) **CLAIM**

We claim the ornamental design for a mid-filament spacer, as shown and described.

**DESCRIPTION**

FIG. 1 is a perspective view of a mid-filament spacer according to a fifth embodiment.

FIG. 2 is a front side view of the mid-filament spacer depicted in FIG. 1, with the back side view being identical to the front side view.

FIG. 3 is a left side view of the mid-filament spacer depicted in FIG. 1, with the right side view being identical to the left side view.

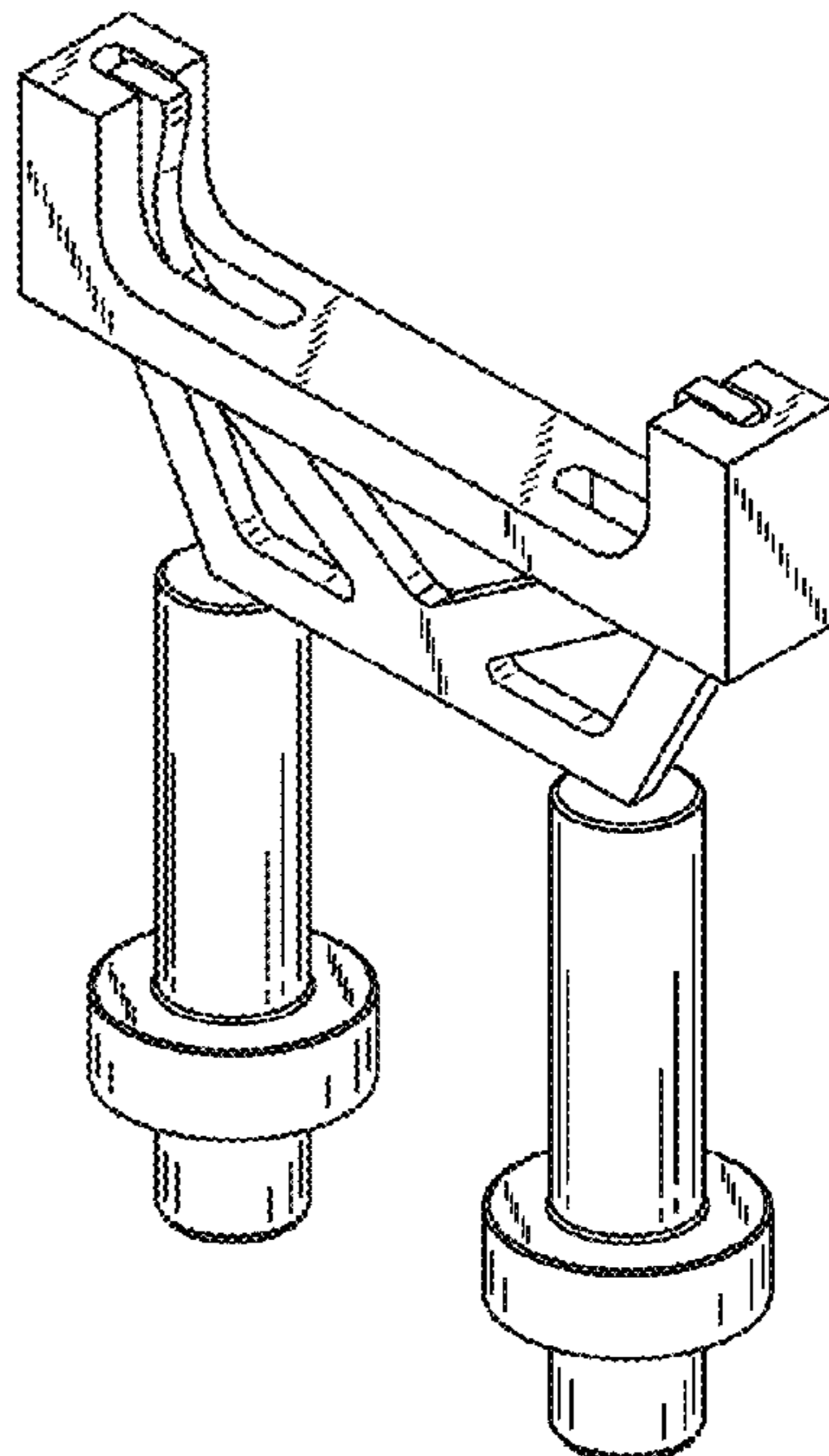
FIG. 4 is a top view of the mid-filament spacer depicted in FIG. 1.

FIG. 5 is a bottom view of the mid-filament spacer depicted in FIG. 1, with dashed lines indicating environmental portions that form no part of the claimed design; and,

FIG. 6 is a bottom view of a sixth, alternative embodiment of the mid-filament spacer, which has top, left, right, front, back and perspective view are identical to those depicted with respect to the embodiment shown in FIGS. 4.

The broken lines immediately adjacent the shaded areas on the bottom views of the embodiments described above represent the bounds of the claimed design and are for illustrative purposes only; the broken lines form no part of the claimed design.

**1 Claim, 2 Drawing Sheets**



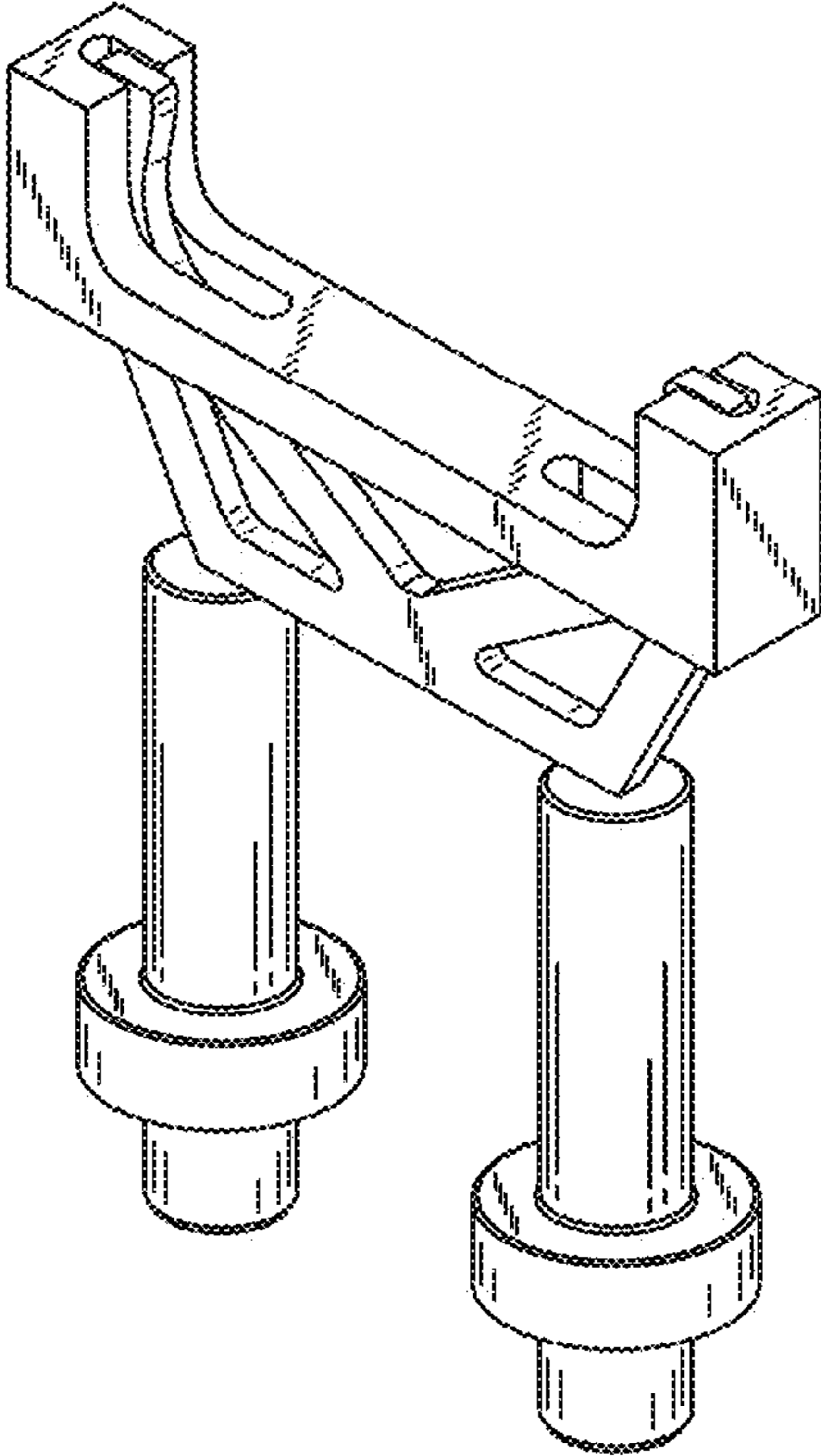


FIG. 1

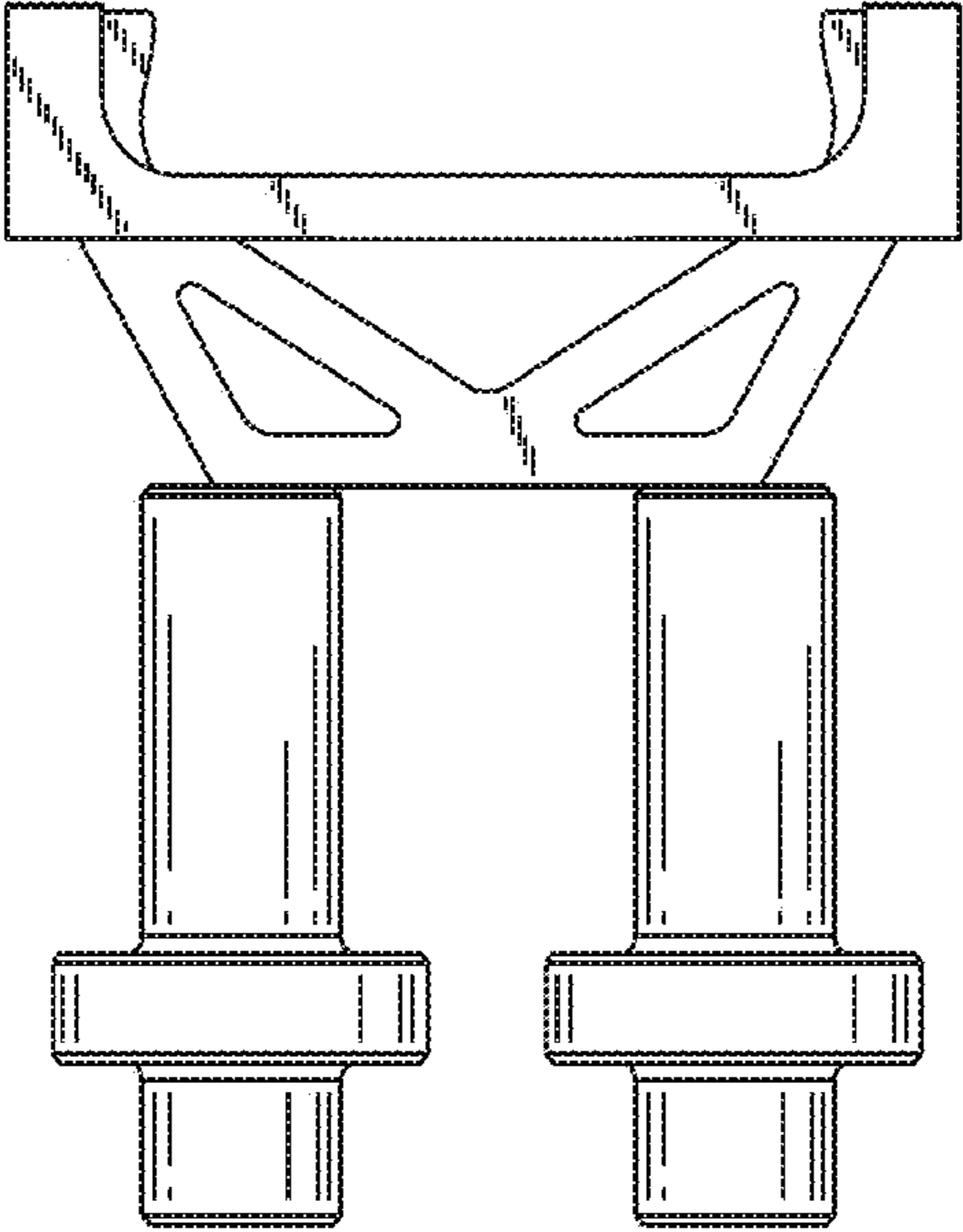


FIG. 2

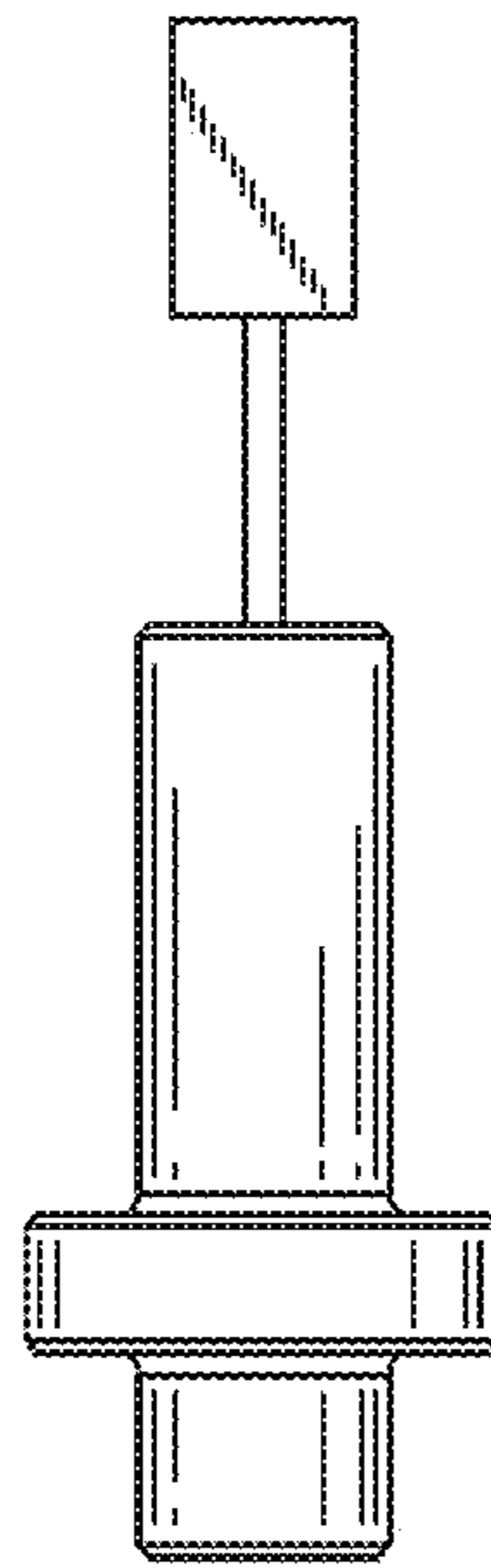


FIG. 3

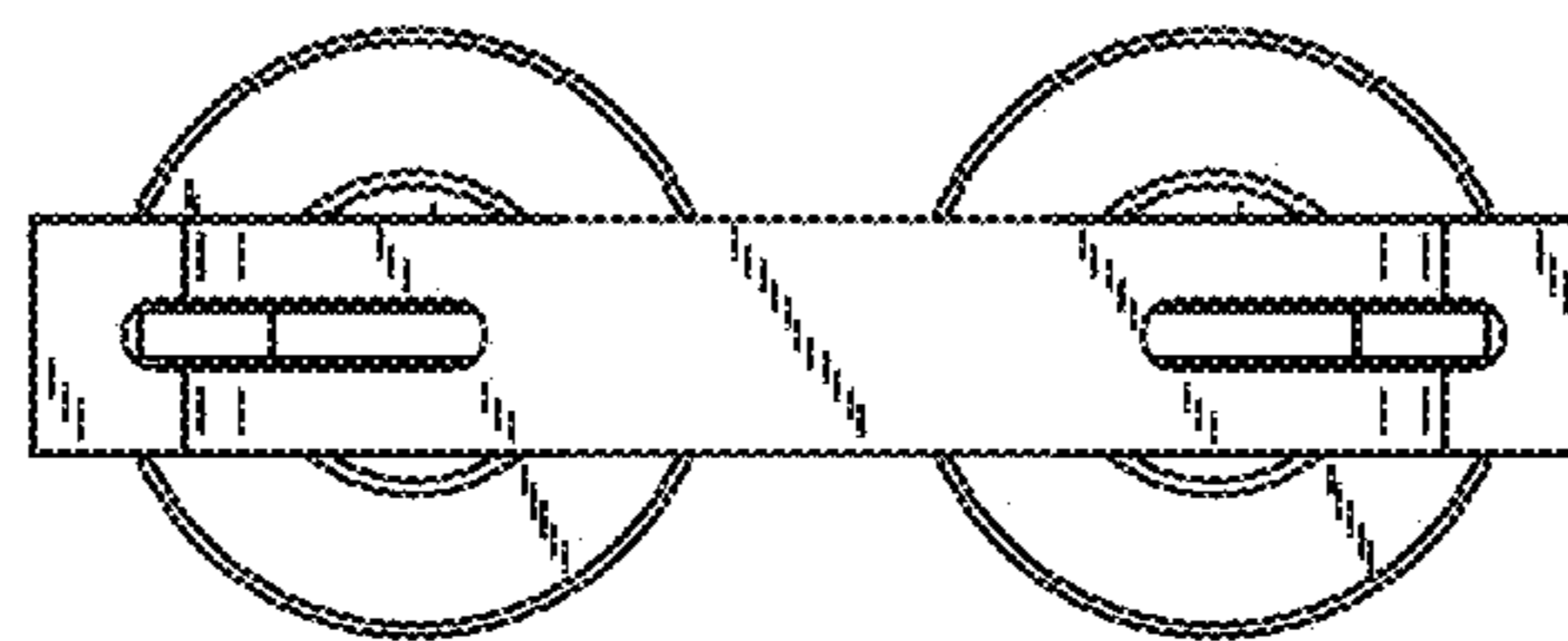


FIG. 4

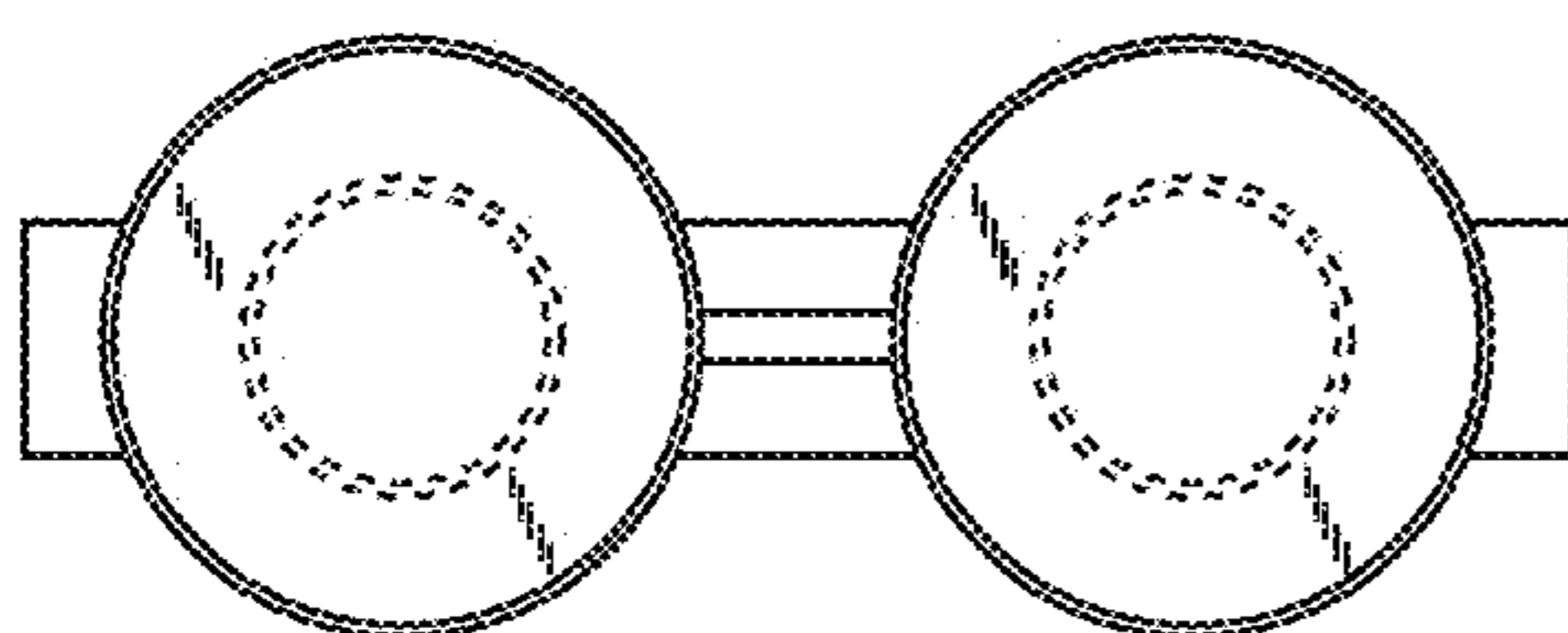


FIG. 5

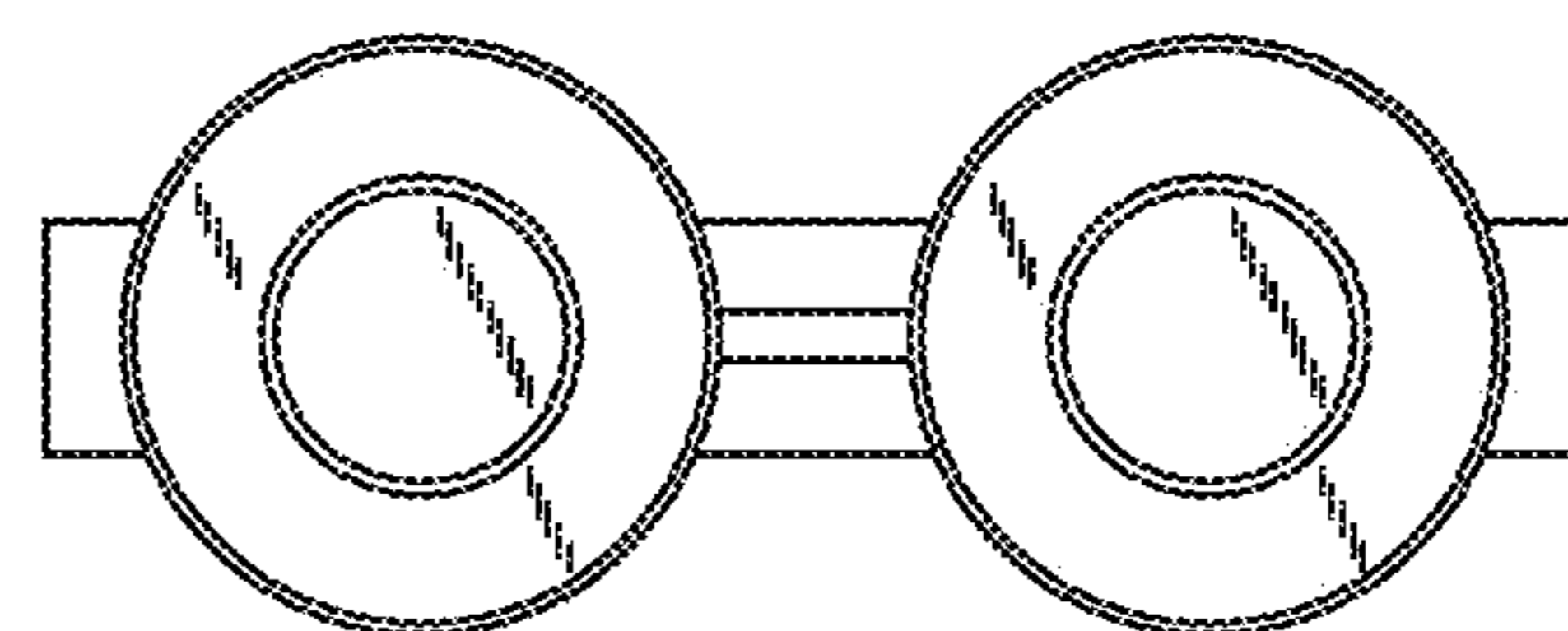


FIG. 6