



US00D893087S

(12) **United States Design Patent**
Jiang et al.

(10) **Patent No.:** **US D893,087 S**

(45) **Date of Patent:** **** Aug. 11, 2020**

(54) **BEAR SHAPED LIGHT**

D493,562 S * 7/2004 Sehl D26/98
D648,889 S * 11/2011 Feinberg D26/98
D776,317 S * 1/2017 Li D26/62

(71) Applicants: **Kelly Jiang**, Roseville, CA (US);
Johnny Jiang, Roseville, CA (US)

* cited by examiner

(72) Inventors: **Kelly Jiang**, Roseville, CA (US);
Johnny Jiang, Roseville, CA (US)

Primary Examiner — Brian N. Vinson

(74) *Attorney, Agent, or Firm* — Heisler & Associates

(**) Term: **15 Years**

(21) Appl. No.: **29/677,192**

(22) Filed: **Jan. 17, 2019**

(51) **LOC (12) Cl.** **26-03**

(52) **U.S. Cl.**

USPC **D26/98**; D26/62

(58) **Field of Classification Search**

USPC D26/94, 98, 62; D11/131, 157, 158;
D21/576, 604

CPC . F21S 6/002; F21W 2101/00; F21W 2121/00;
F21W 2131/30

See application file for complete search history.

(56) **References Cited**

U.S. PATENT DOCUMENTS

D322,861 S * 12/1991 Oshimi D21/604
D396,315 S * 7/1998 Hamerman D21/604

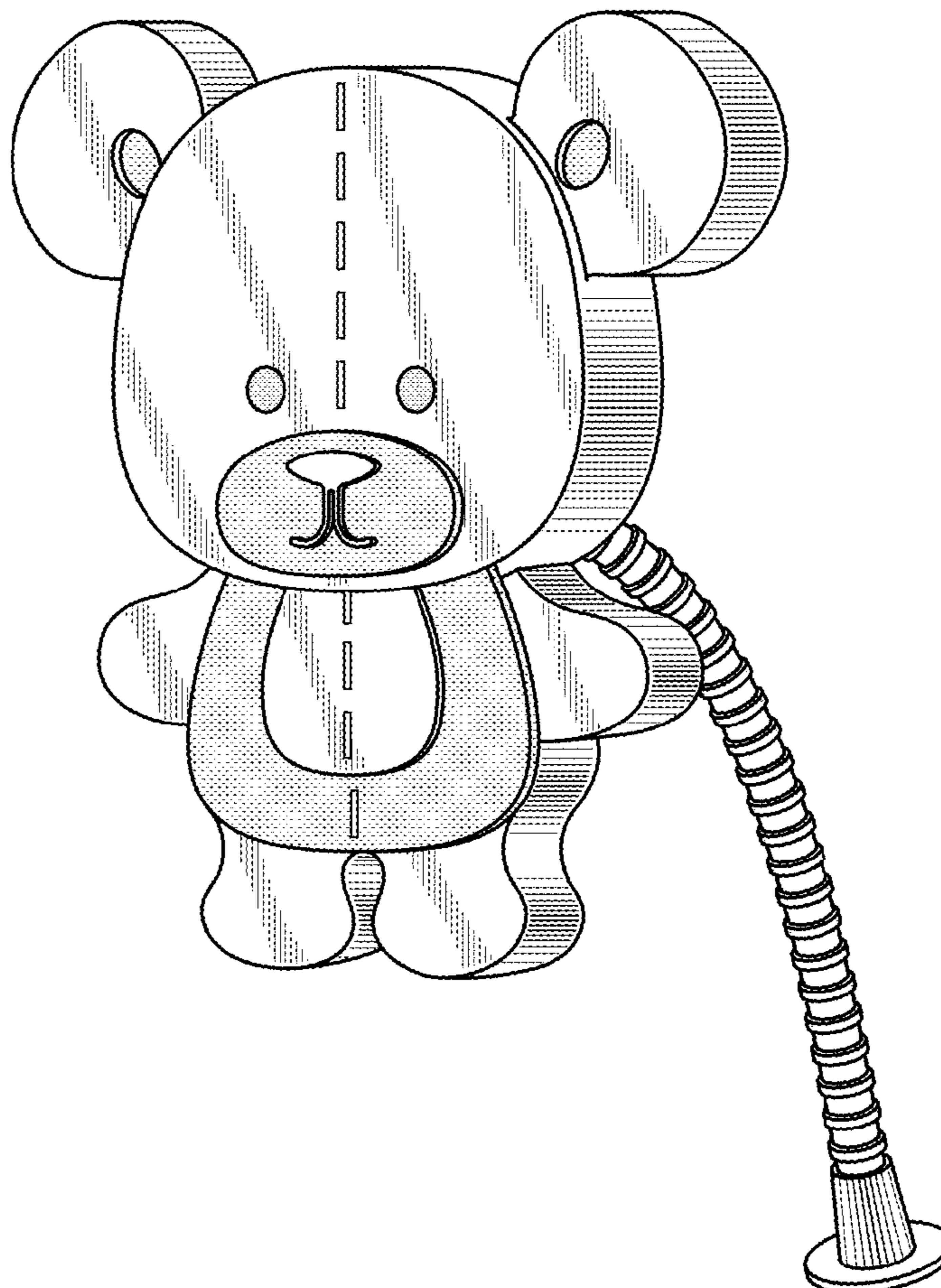
(57) **CLAIM**

The ornamental design for a bear shaped light, as shown and described.

DESCRIPTION

FIG. 1 is a perspective view of a bear shaped light;
FIG. 2 is a front elevation view of the invention;
FIG. 3 is a rear elevation view of the invention;
FIG. 4 is a top plan view of the invention;
FIG. 5 is a bottom plan view of the invention; and,
FIG. 6 is a left side view of the invention, the right side view being a mirror image.

1 Claim, 2 Drawing Sheets



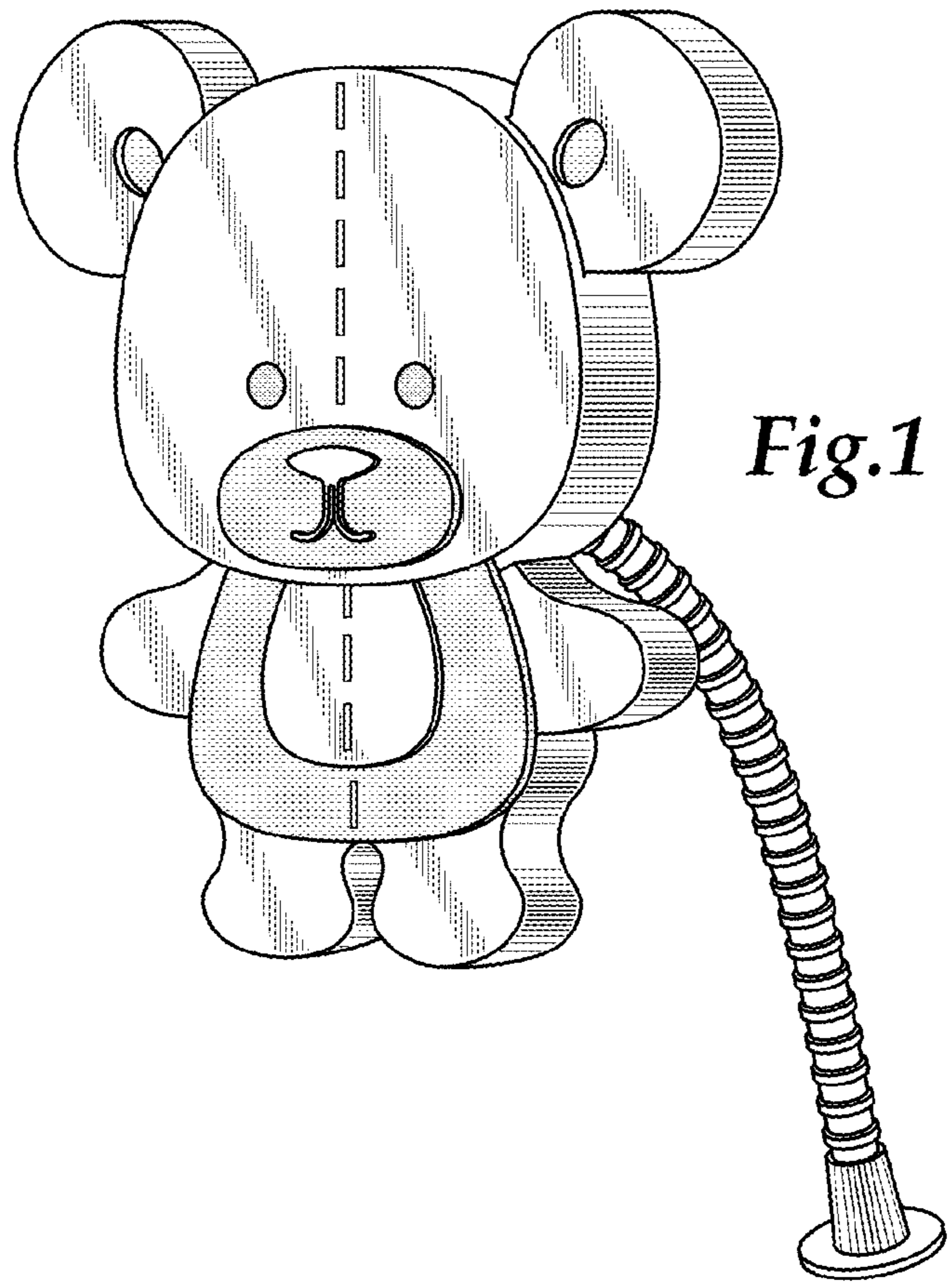


Fig.1

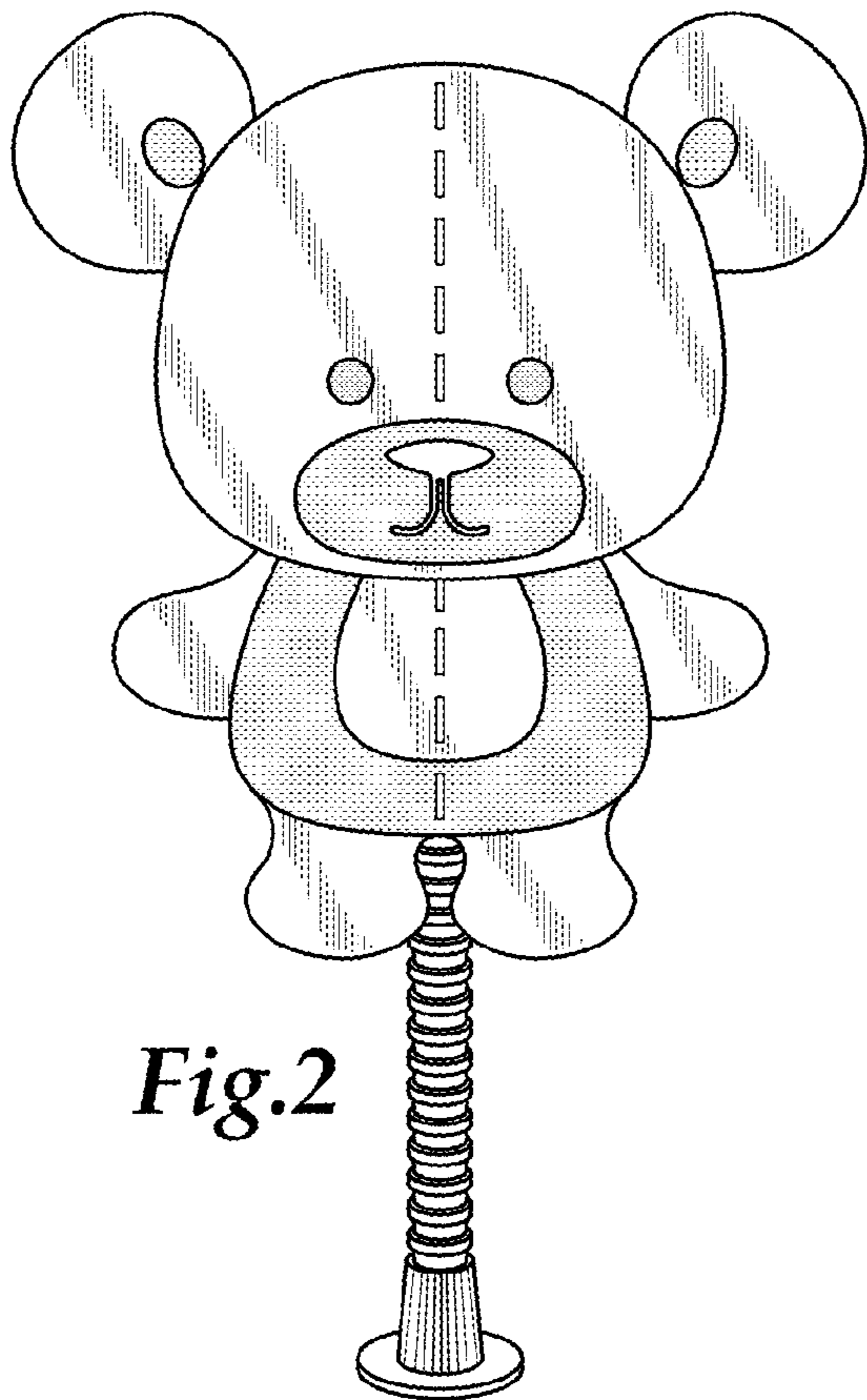


Fig.2

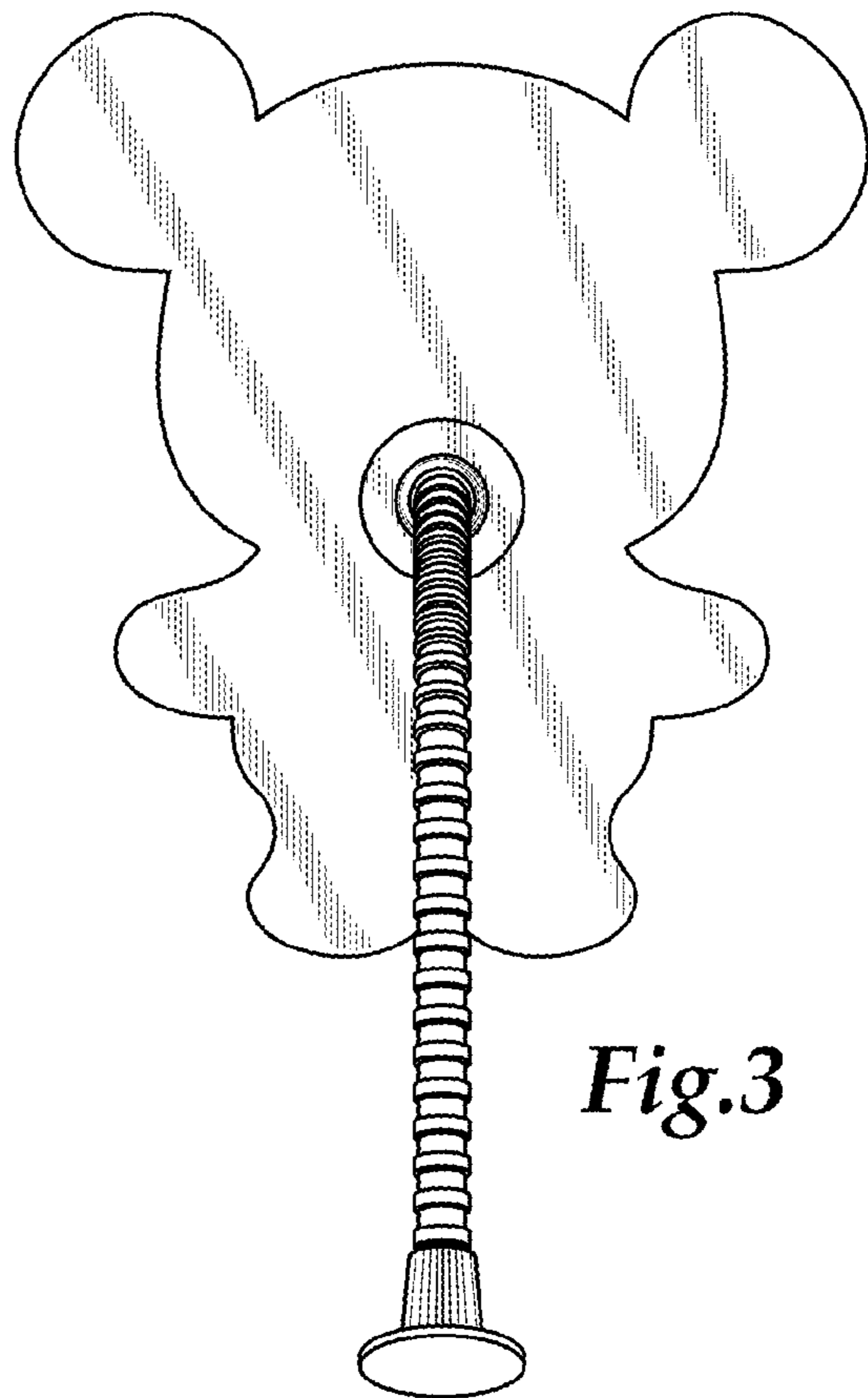


Fig.3

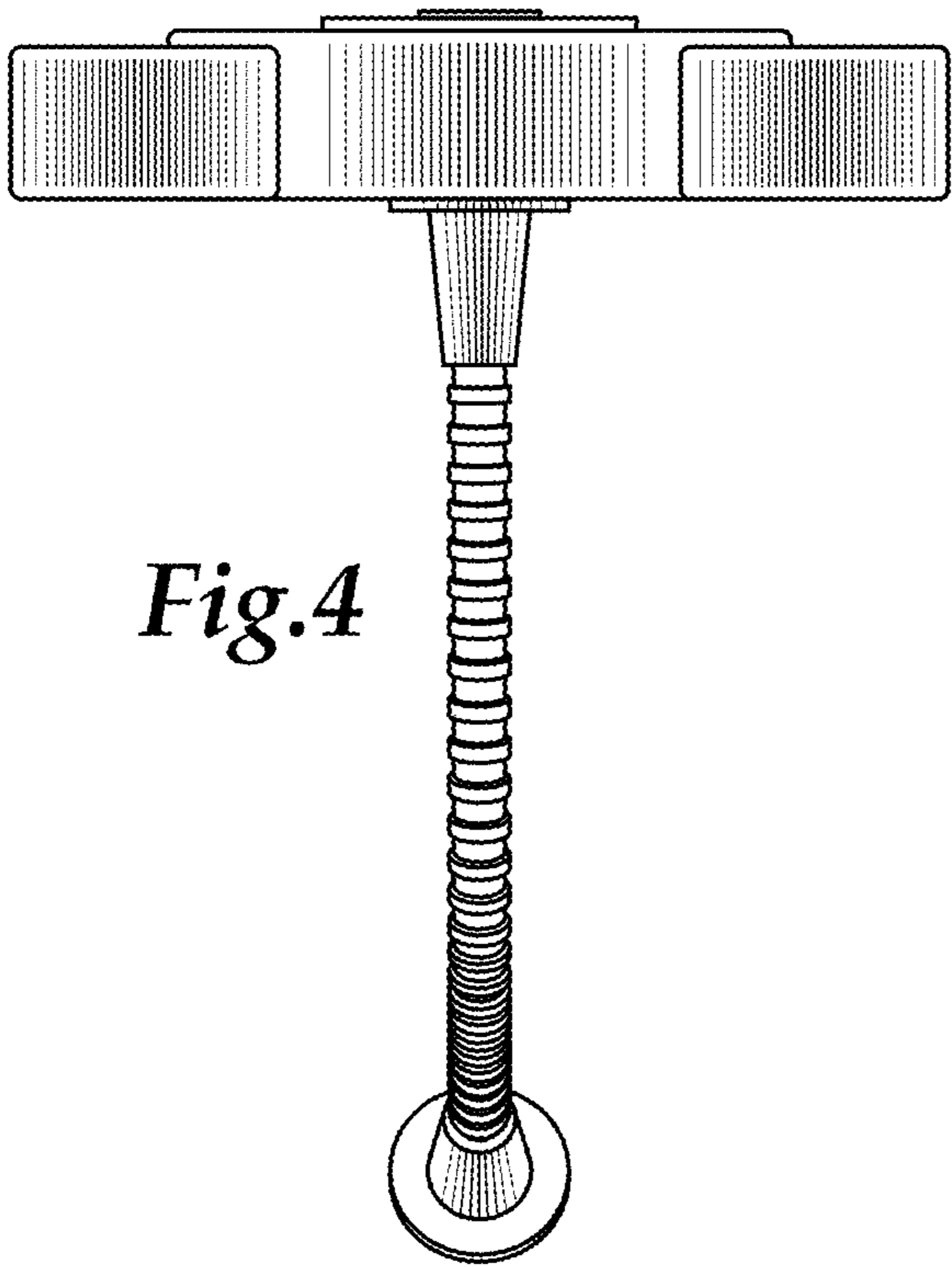


Fig.4

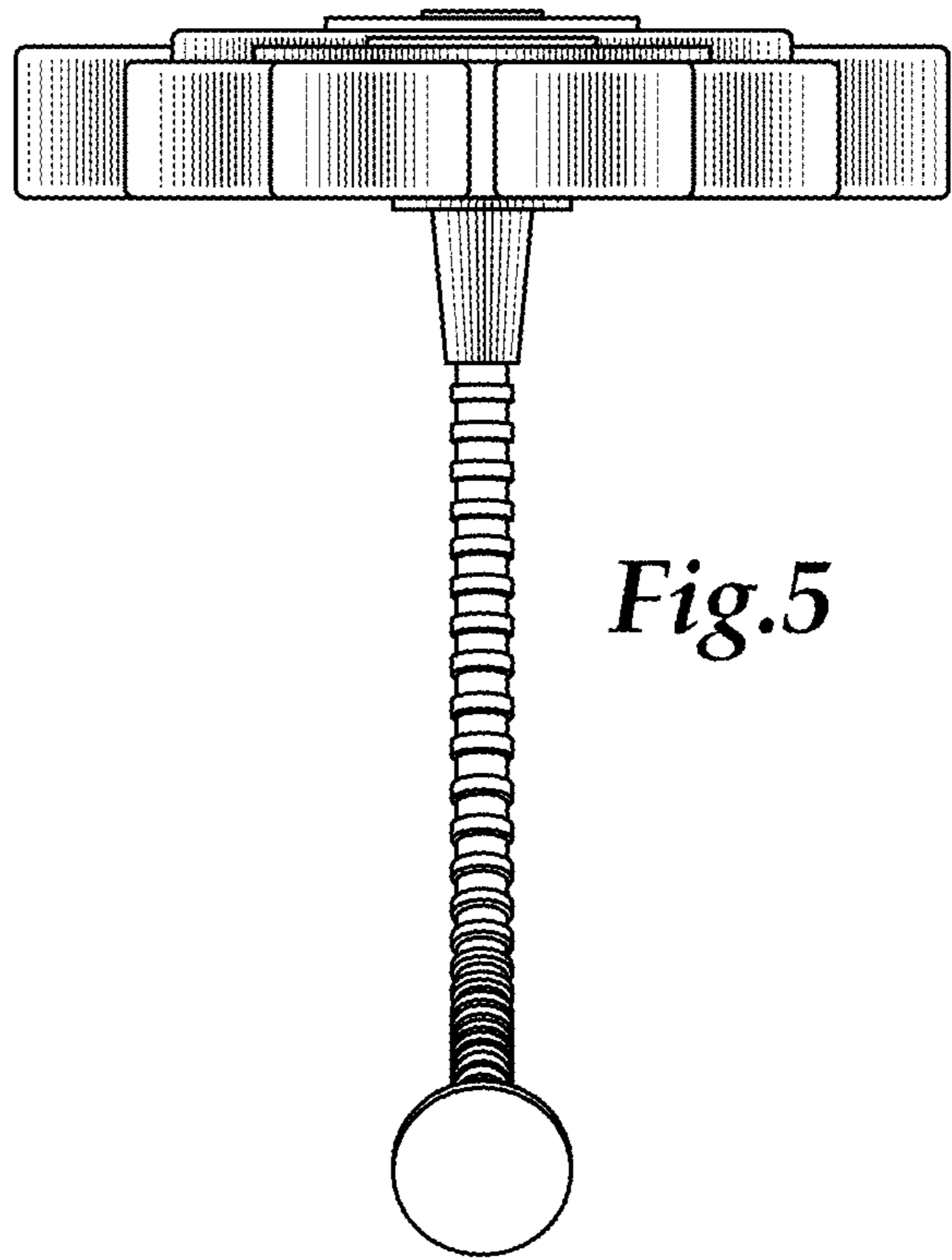


Fig.5

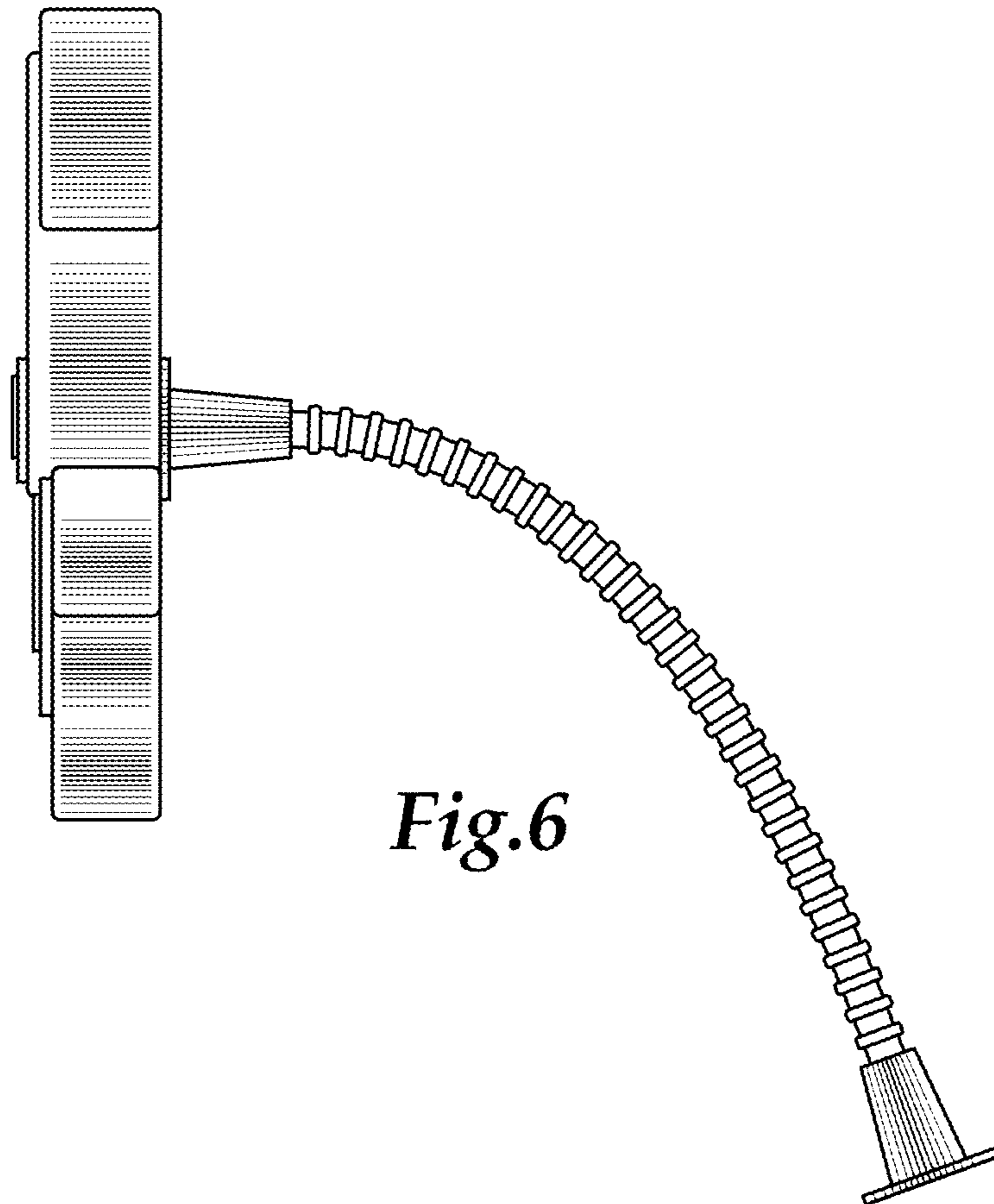


Fig.6