



US00D893086S

(12) **United States Design Patent**  
**Browning**

(10) **Patent No.:** **US D893,086 S**

(45) **Date of Patent:** **\*\* Aug. 11, 2020**

(54) **LAMP**

(71) Applicant: **RH US, LLC**, Corte Madera, CA (US)

(72) Inventor: **Jonathan Richard Browning**, San Francisco, CA (US)

(73) Assignee: **RH US, LLC**, Corte Madera, CA (US)

(\*\*) Term: **15 Years**

(21) Appl. No.: **29/717,244**

(22) Filed: **Dec. 16, 2019**

**Related U.S. Application Data**

(62) Division of application No. 29/664,464, filed on Sep. 25, 2018, now Pat. No. Des. 877,406.

(51) **LOC (12) Cl.** ..... **26-03**

(52) **U.S. Cl.**  
USPC ..... **D26/88**

(58) **Field of Classification Search**

USPC ..... D26/67, 72, 85, 87, 88, 90, 128  
CPC .... F21S 8/03; F21S 8/035; F21S 8/036; F21S 8/043; F21S 8/06; F21S 8/061; F21S 8/063; F21S 13/02; F21S 13/04; F21S 13/10; F21V 21/104; F21W 2121/004; F21W 2131/109

See application file for complete search history.

(56) **References Cited**

**U.S. PATENT DOCUMENTS**

D3,852 S	2/1870	Letchworth	
248,424 A	10/1881	Edison	
D29,366 S	9/1898	MacIntire	
D38,253 S *	9/1906	Chisolm	D26/88
D39,323 S *	5/1908	Phelps	D26/128
D154,302 S	6/1949	Palmquist	
D202,804 S	11/1965	Bushcott	

D342,338 S *	12/1993	Thun	D26/63
D441,127 S	4/2001	Hoffbauer	
D467,677 S	12/2002	Ries	
D575,440 S	8/2008	Pelzl	
D588,298 S	3/2009	Sabernig	
D641,096 S *	7/2011	Markle	D26/88
D660,504 S	5/2012	Martin	
D697,249 S *	1/2014	Pyle	D26/85
D713,590 S *	9/2014	Orozco	D26/85
D715,986 S	10/2014	Anastassiades	
D731,695 S *	6/2015	Pyle	D26/88
D754,904 S *	4/2016	Orozco	D26/81

(Continued)

**OTHER PUBLICATIONS**

Yearwood 1—Light Single Globe Pendant at wayfair.com as early as Aug. 21, 2018. (Year: 2018).\*

(Continued)

*Primary Examiner* — Clare E Hefflin

(74) *Attorney, Agent, or Firm* — Lewis Roca Rothgerber Christie LLP

(57)

**CLAIM**

The ornamental design for a lamp, as shown and described.

**DESCRIPTION**

FIG. 1 is a front and upper right perspective view of a lamp; FIG. 2 is a front and lower left perspective view of the lamp of FIG. 1;

FIG. 3 is a front elevational view of the lamp of FIG. 1, the rear view being a mirror image;

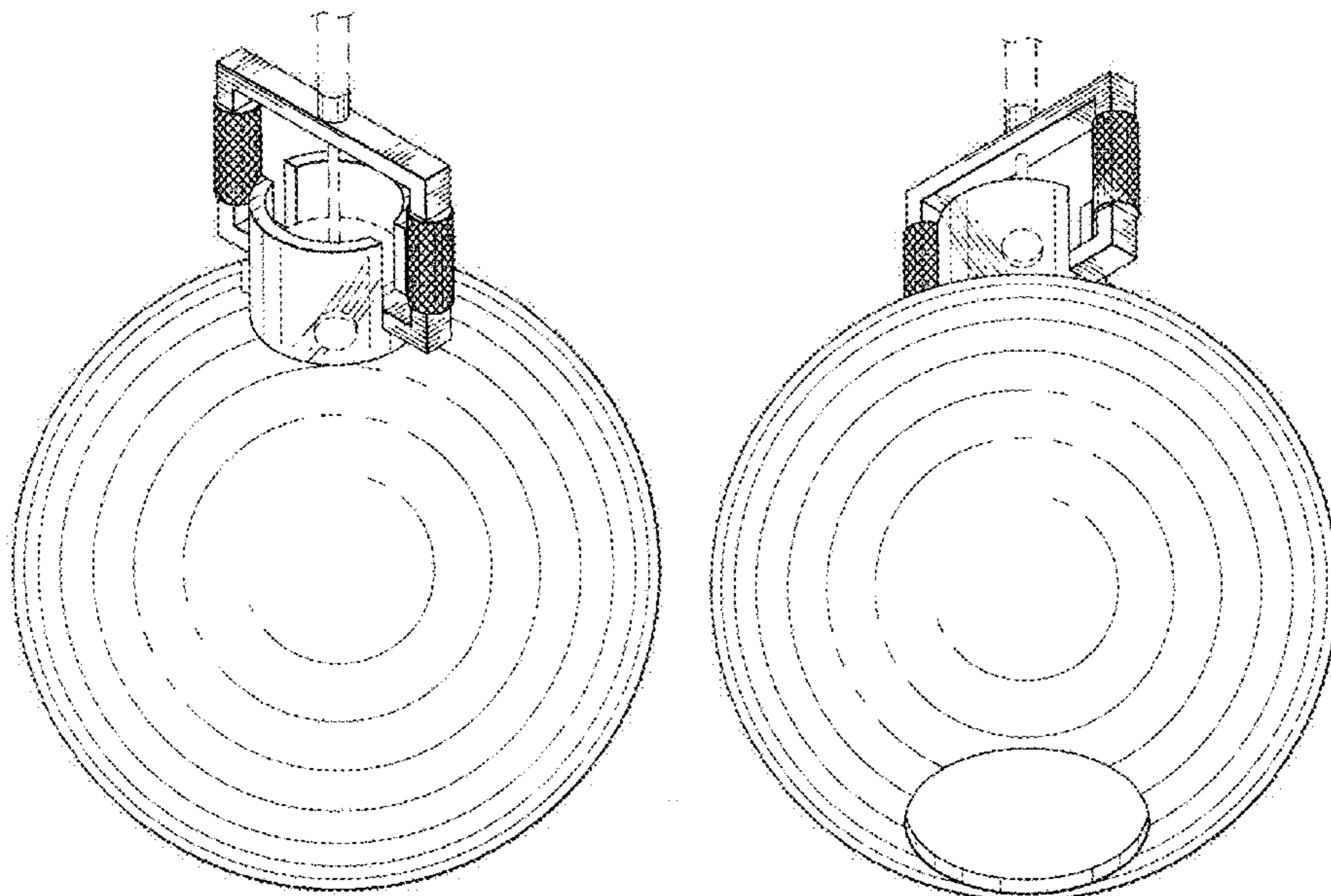
FIG. 4 is a side elevational view of the lamp of FIG. 1, the right and left views being mirror images of one another;

FIG. 5 is a top plan view of the lamp of FIG. 1; and,

FIG. 6 is a bottom plan view of the lamp of FIG. 1.

The broken lines are for environmental purposes only, and form no part of the claimed design.

**1 Claim, 3 Drawing Sheets**



(56)

**References Cited**

U.S. PATENT DOCUMENTS

D825,092 S \* 8/2018 Amato ..... D26/88  
D863,649 S 10/2019 Wellens  
2017/0038035 A1\* 2/2017 Liu ..... F21V 21/08

OTHER PUBLICATIONS

NIUYAO Amber Glass Globe Pendant Light at amazon.com Feb. 26, 2019. (Year: 2019).\*

Papaya Industrial Mini Glass Pendant Lighting 1-Light Bronze Hanging Light Fixture at amazon.com Nov. 27, 2018. (Year: 2018).\*

LEDMO Industrial Barn Pendant Light at amazon.com Aug. 8, 2019. (Year: 2019).\*

Cast 1 Pendant Light by Thomas Chung & Jordan Murphy, from Menu. website visited Nov. 25, 2019. <<https://www.ylighting.com/cast-1-pendant-by-light-menu-MENP200864.html>> (Year: 2019).

\* cited by examiner

FIG. 1

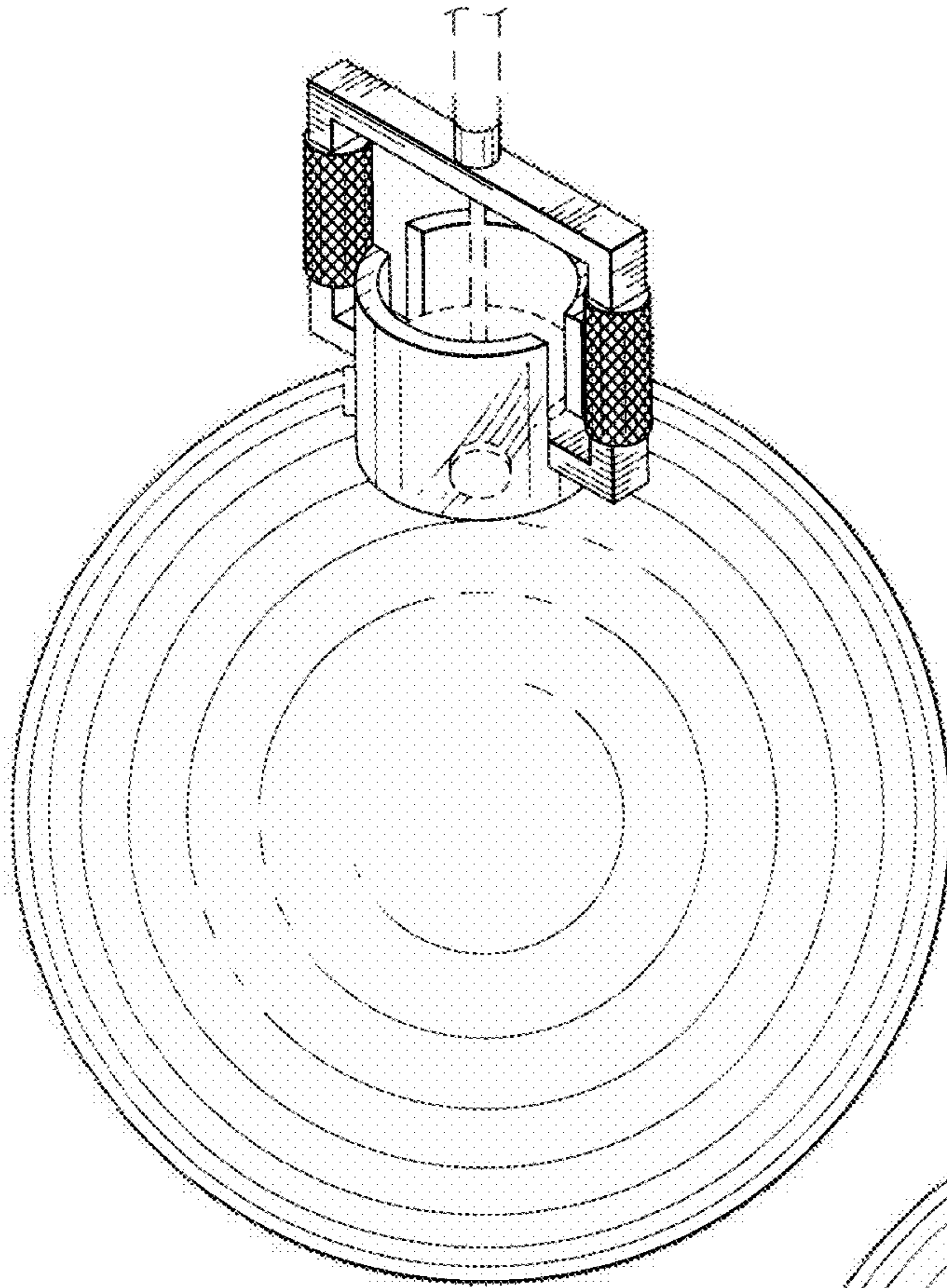
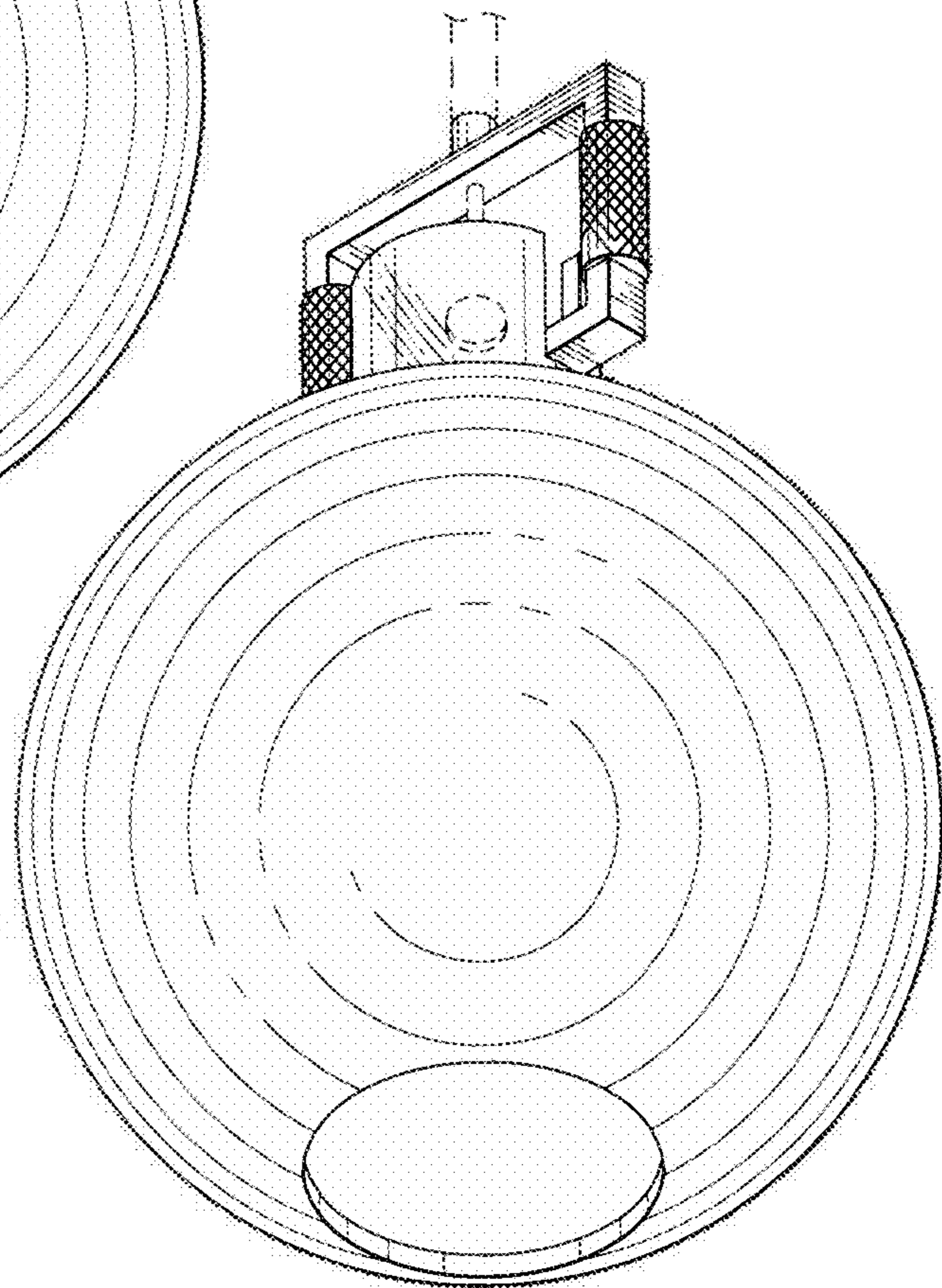


FIG. 2





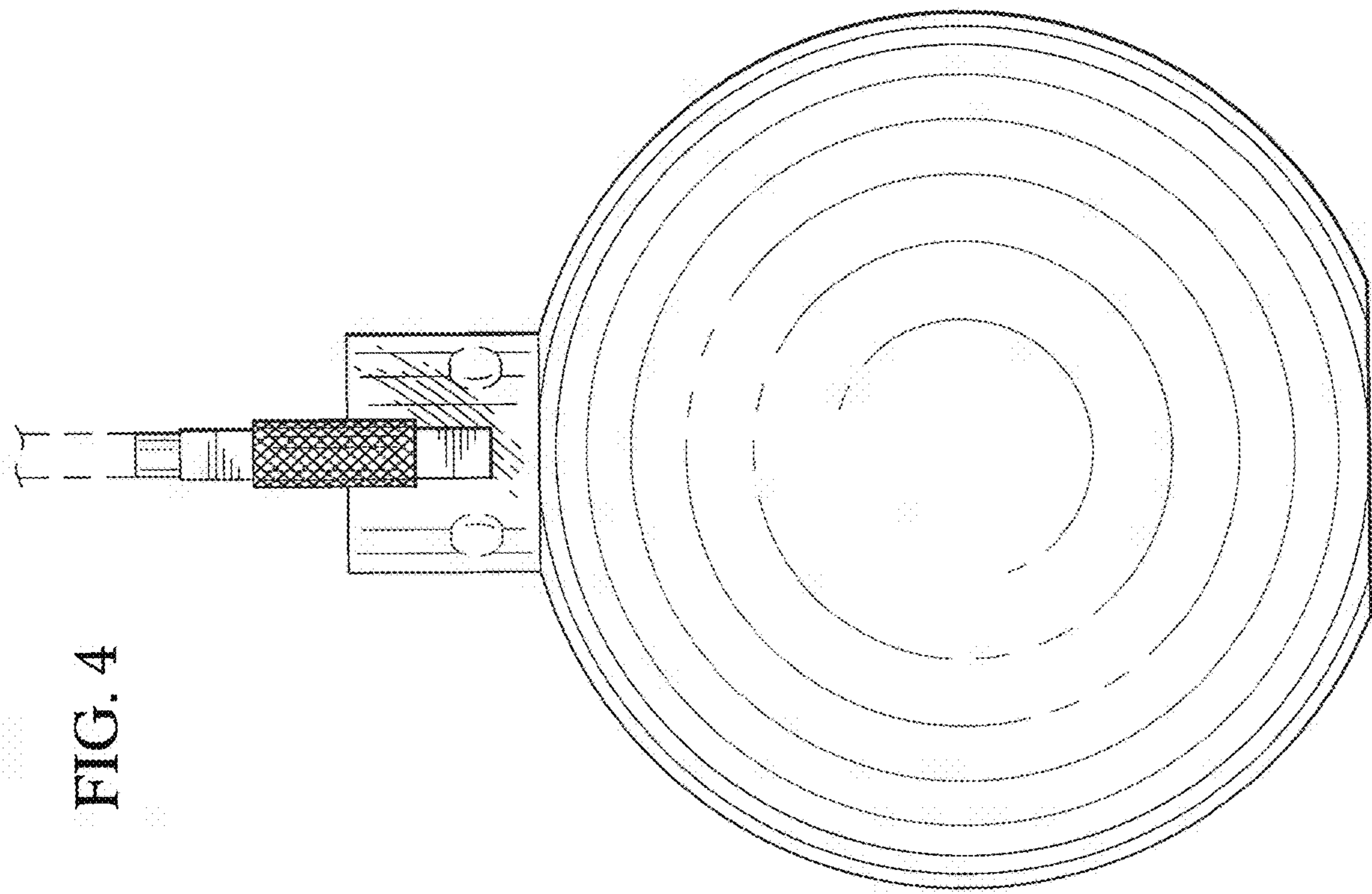


FIG. 4

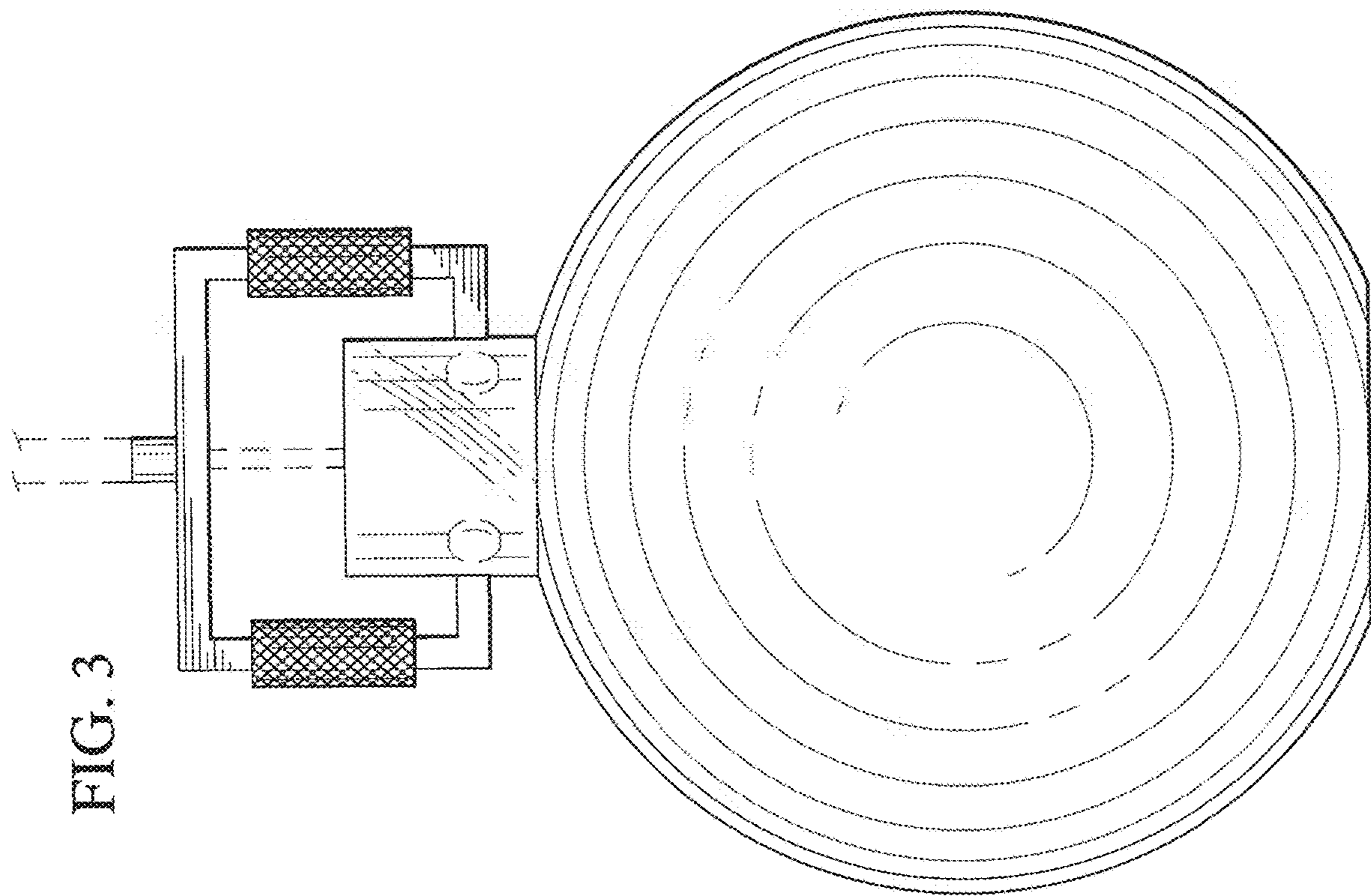


FIG. 3

FIG. 5

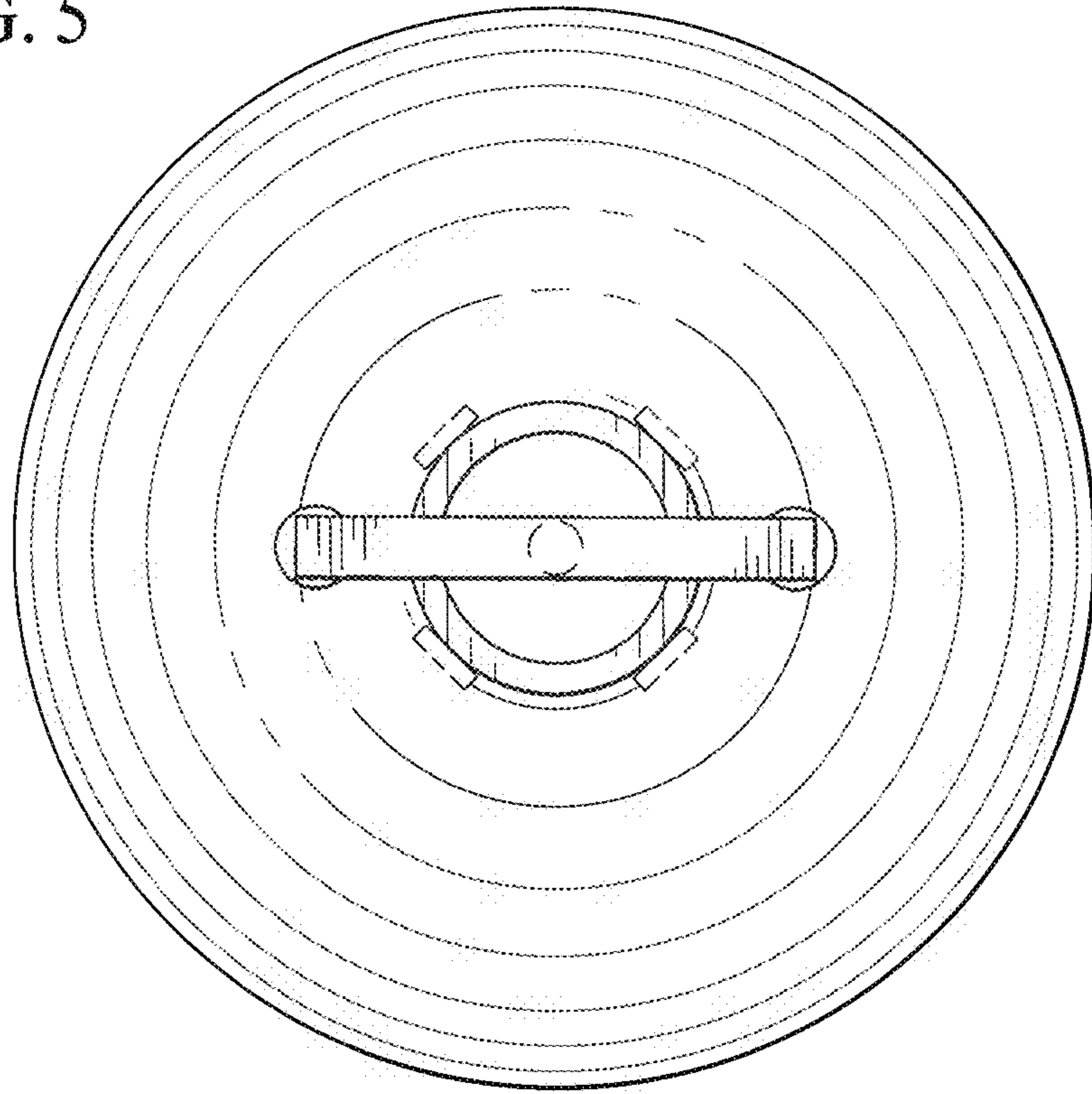


FIG. 6

