



US00D893085S

(12) **United States Design Patent**
Tang

(10) **Patent No.:** **US D893,085 S**

(45) **Date of Patent:** **** Aug. 11, 2020**

(54) **LAMP**

(71) Applicant: **Shenzhen JinDian Electronic Technology Co., Ltd., Shenzhen (CN)**

(72) Inventor: **Shifu Tang, Shenzhen (CN)**

(**) Term: **15 Years**

(21) Appl. No.: **29/692,539**

(22) Filed: **May 27, 2019**

(51) **LOC (12) Cl.** **26-03**

(52) **U.S. Cl.**
USPC **D26/88**

(58) **Field of Classification Search**
USPC D26/81, 82, 84, 85, 86, 88, 89, 90, 91,
D26/118, 128, 129, 131–133, 135, 136,
D26/137, 60
CPC F21S 8/04; F21S 8/046; F21S 8/06; F21S
8/061; F21S 8/063; F21S 8/065; F21S
8/068; F21V 1/20; F21V 17/16

See application file for complete search history.

(56) **References Cited**

U.S. PATENT DOCUMENTS

D57,415 S *	3/1921	Adam	D26/132
D75,509 S *	6/1928	Moore	D26/131
D112,389 S *	11/1938	Toppin	D26/60
6,425,682 B1 *	7/2002	Klaus	F21S 8/068
				362/249.01
D494,310 S *	8/2004	Cline	D26/128
D716,992 S *	11/2014	Kitts	D26/88
D759,284 S *	6/2016	De Bevilacqua	D26/104
D788,343 S *	5/2017	Sonneman	D26/60
D818,180 S *	5/2018	Gambrel	D26/88
D825,092 S *	8/2018	Amato	D26/88

D854,224 S *	7/2019	Hecht	D26/88
2011/0309403 A1 *	12/2011	Kawashima	F21V 31/04
				257/99
2017/0276333 A1 *	9/2017	Dubuc	F21S 8/068

OTHER PUBLICATIONS

Hoffmeister Corcovado size 2 Pendant Lighting, Product Code: L274HCORC2 from brinklight.com visited Jun. 22, 2020. (Year: 2020).*

Felix Lighting Pendant Lamp E27 from felixlightingspecialists.co.uk visited Jun. 22, 2020. (Year: 2020).*

* cited by examiner

Primary Examiner — Clare E Heflin

(74) *Attorney, Agent, or Firm* — HYIP

(57) **CLAIM**

The ornamental design for a lamp, as shown and described.

DESCRIPTION

FIG. 1 is a first perspective view of a lamp showing my design;

FIG. 2 is a second perspective view thereof;

FIG. 3 is a front view thereof;

FIG. 4 is a back view thereof;

FIG. 5 is a left side view thereof;

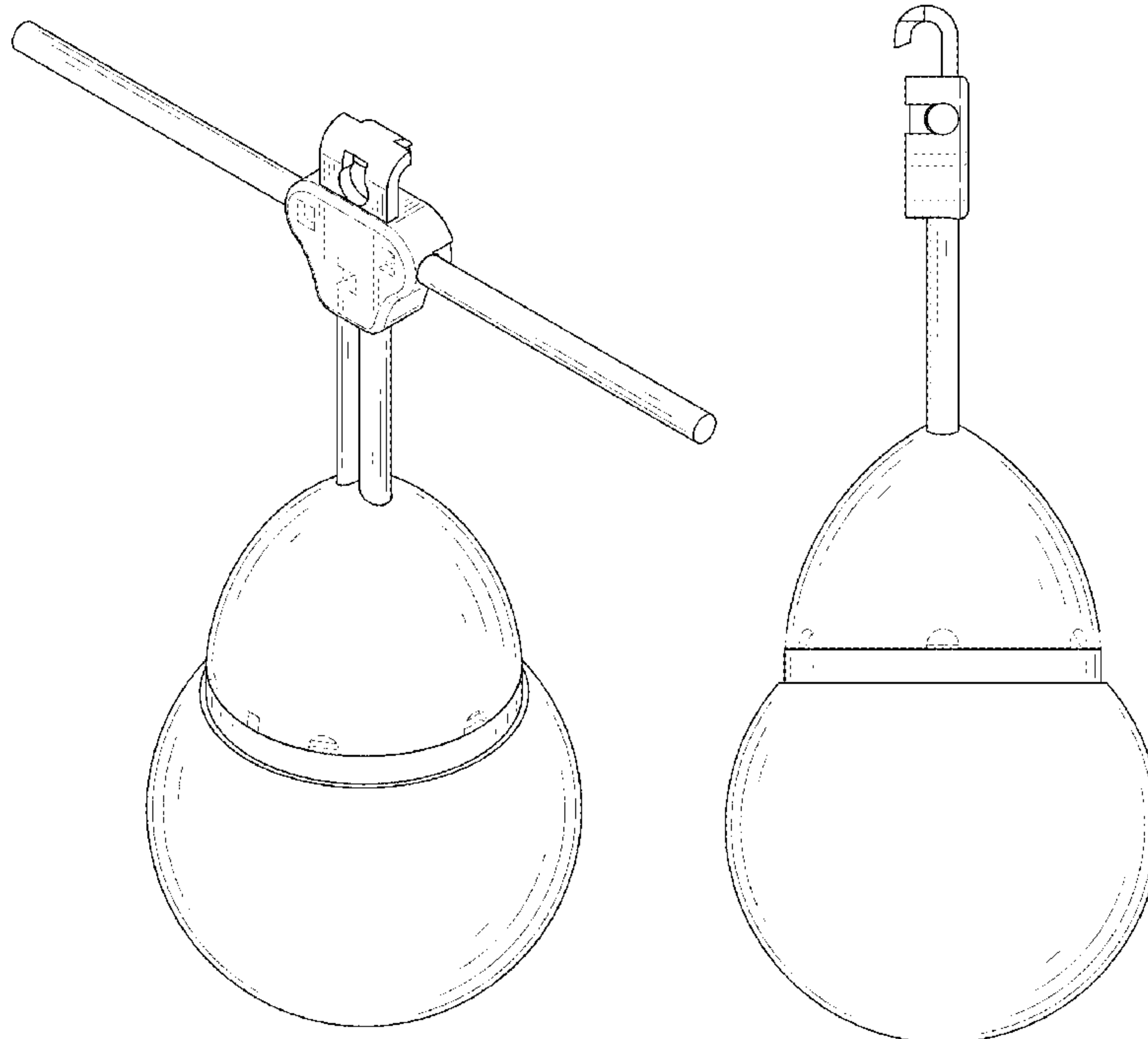
FIG. 6 is a right side view thereof;

FIG. 7 is a top view thereof; and,

FIG. 8 is a bottom view thereof.

The broken lines shown in the drawings depict portions of the lamp in which the design is embodied that form no part of the claimed design.

1 Claim, 8 Drawing Sheets



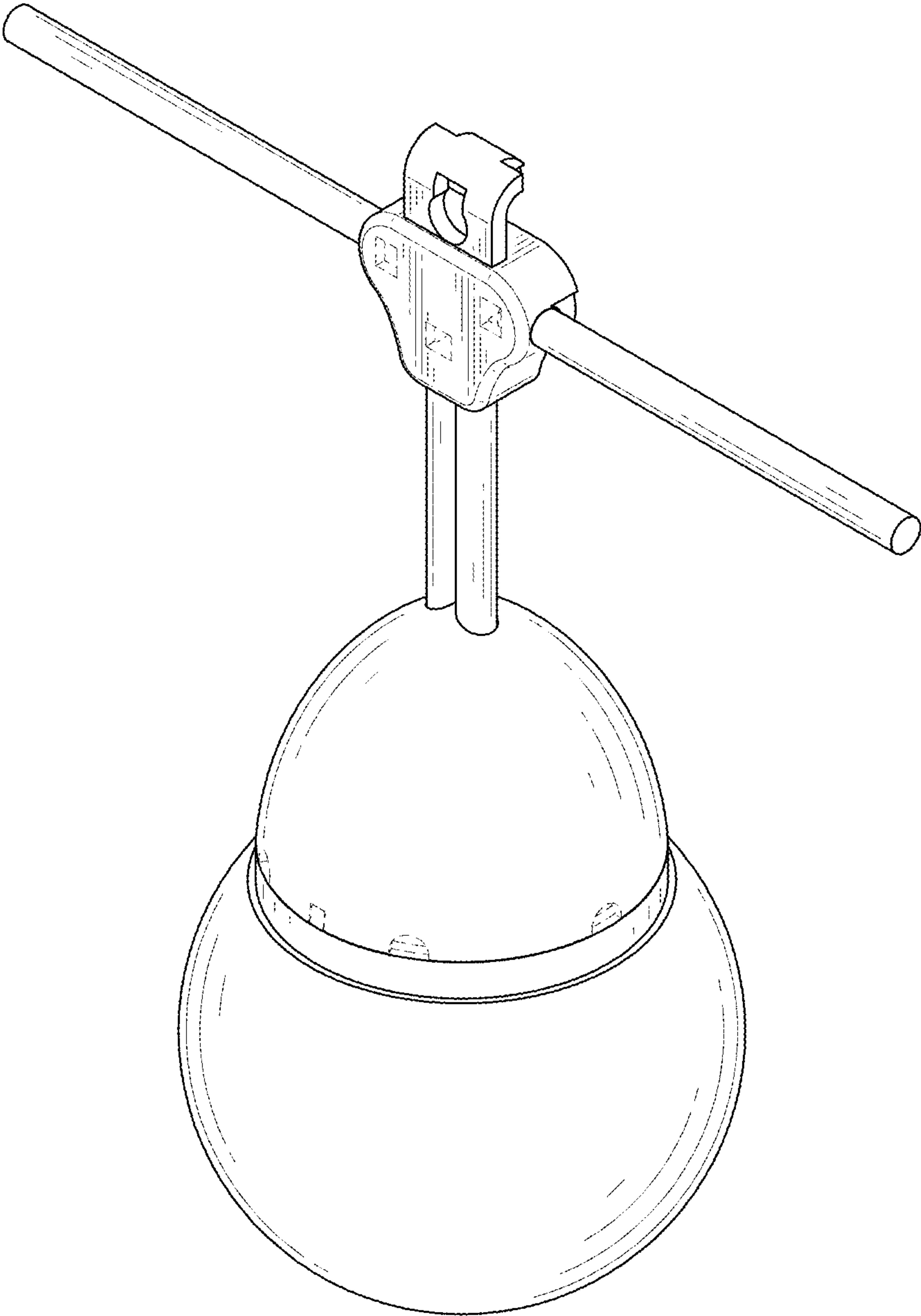


FIG. 1

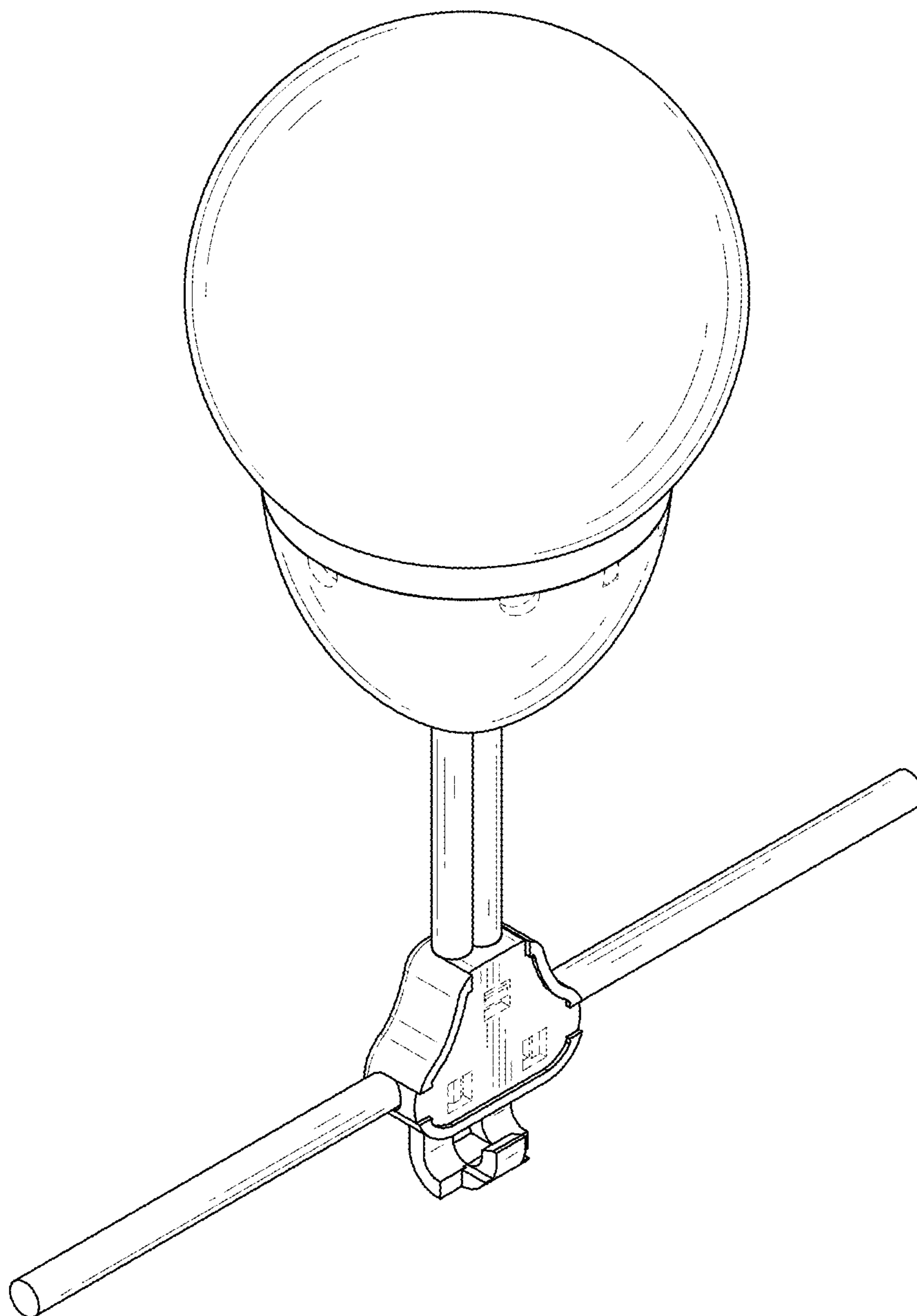


FIG. 2

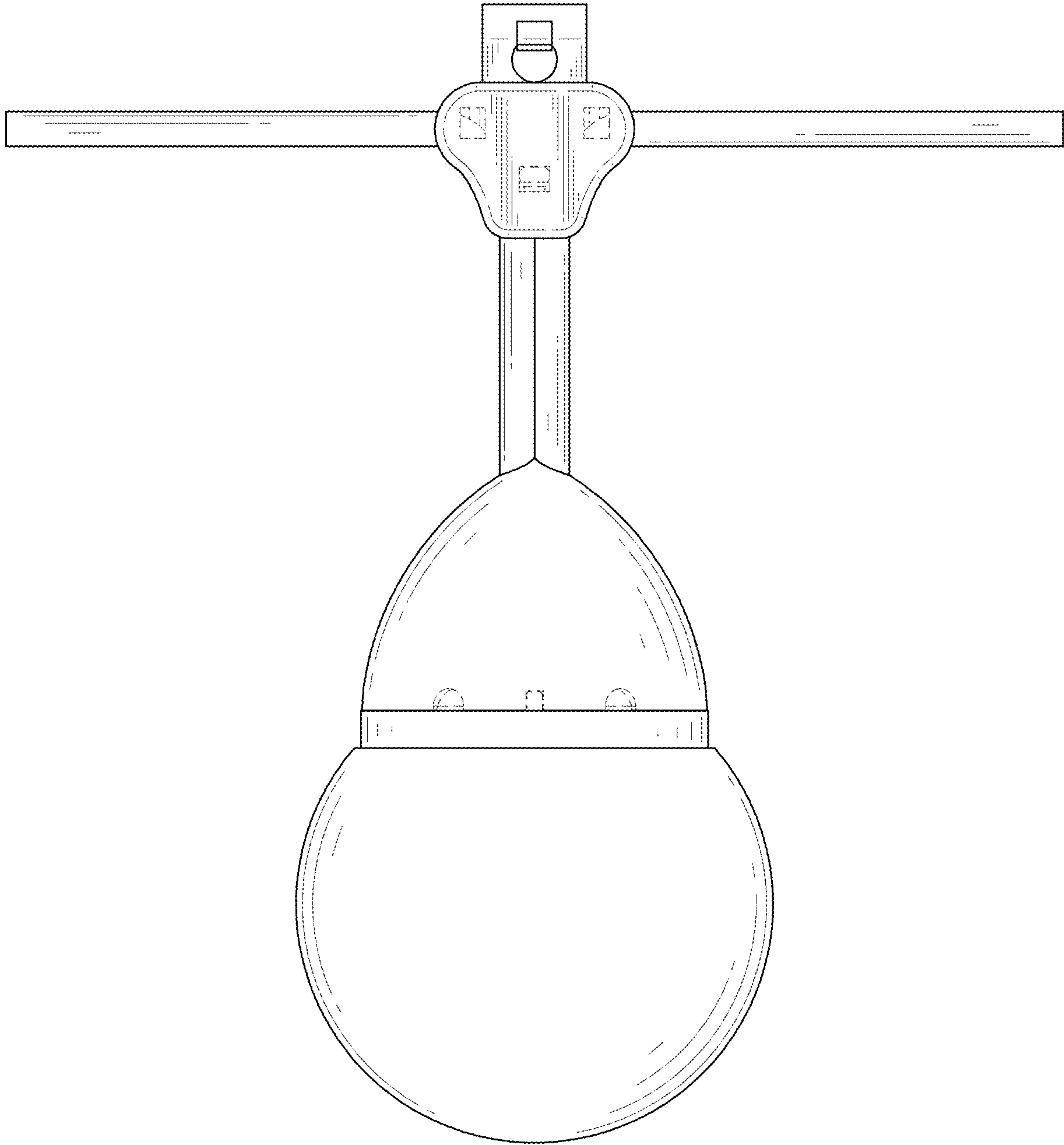


FIG. 3

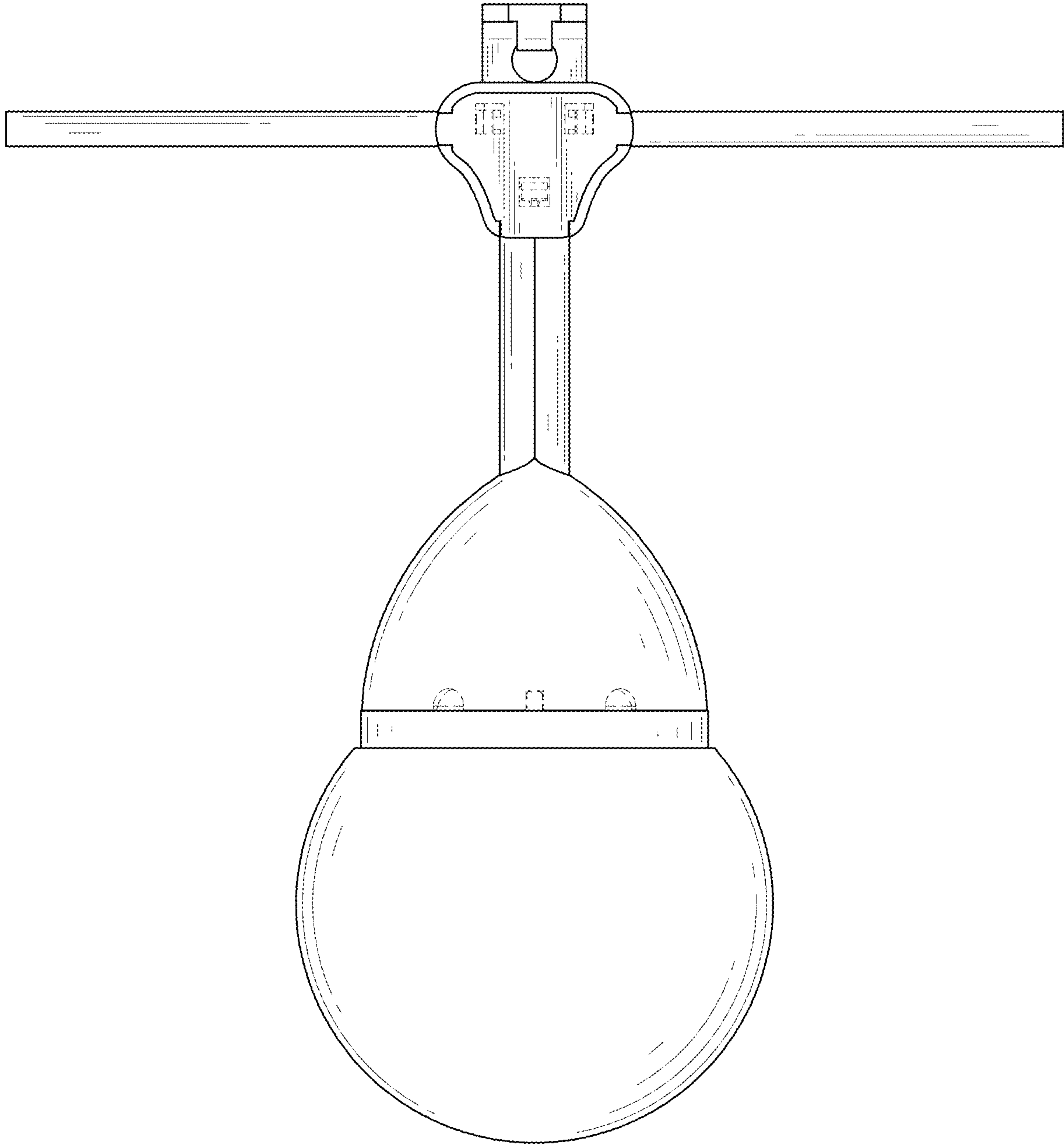


FIG. 4

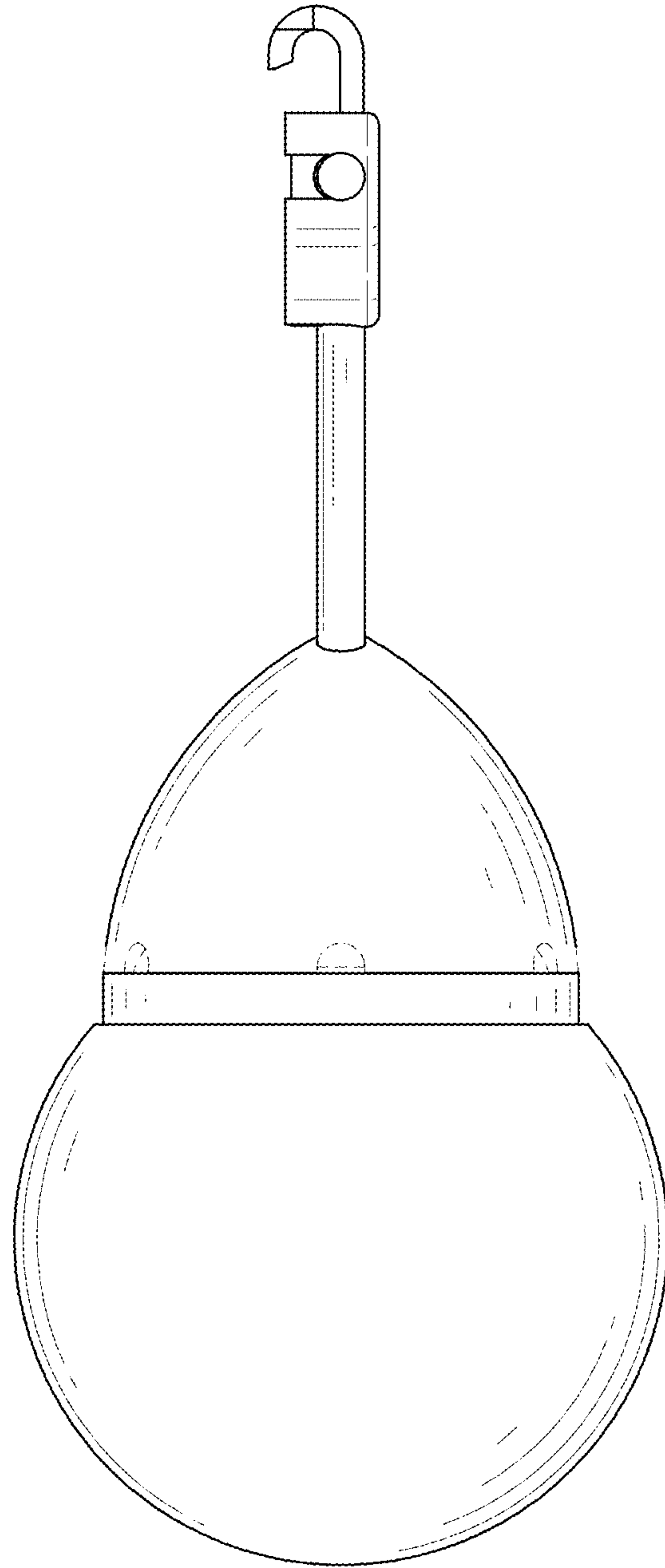


FIG. 5

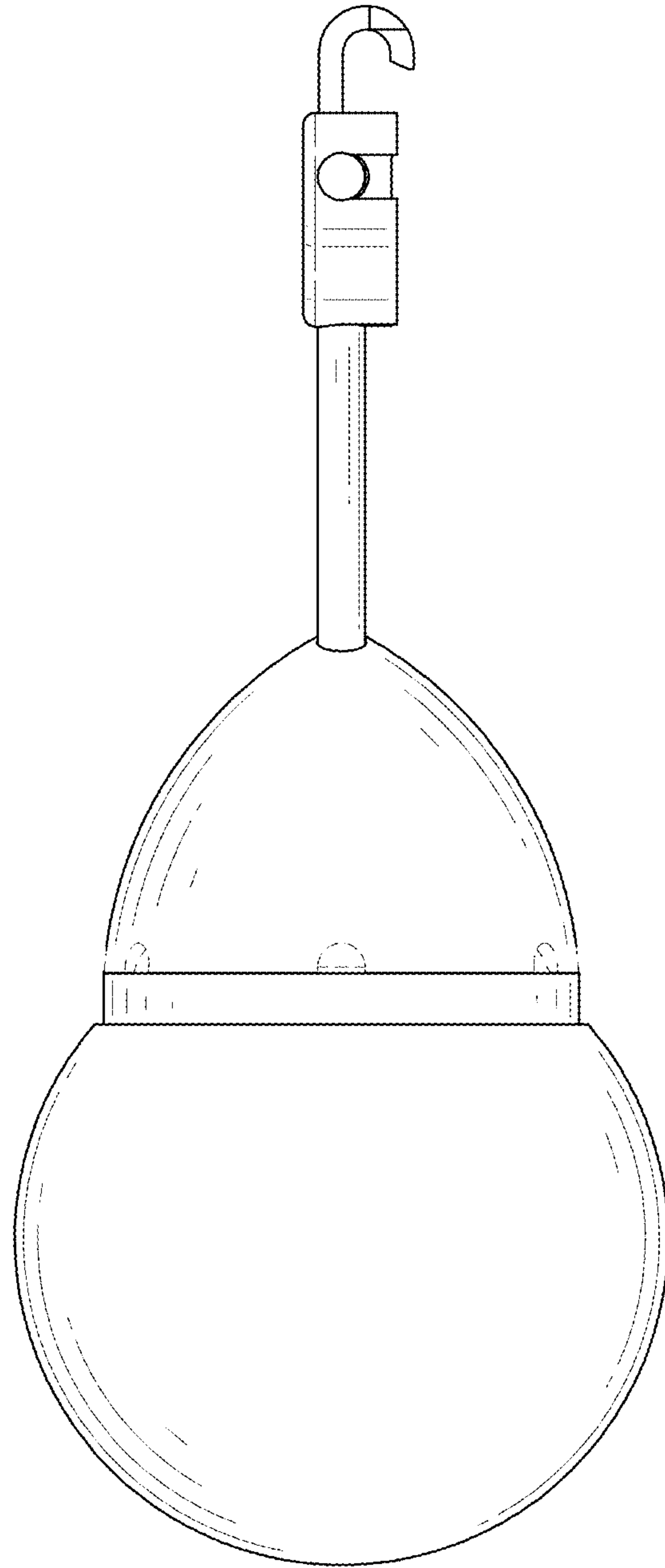


FIG. 6

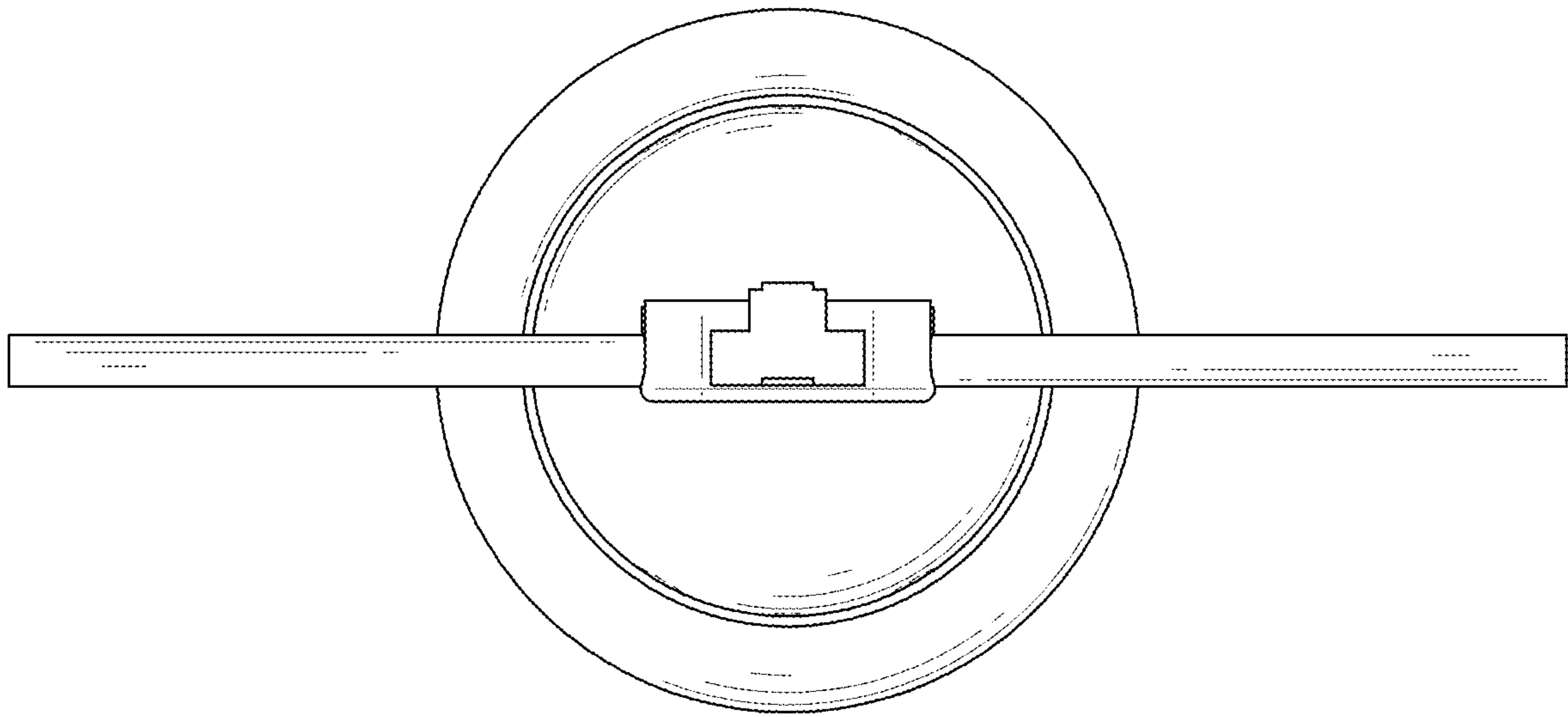


FIG. 7

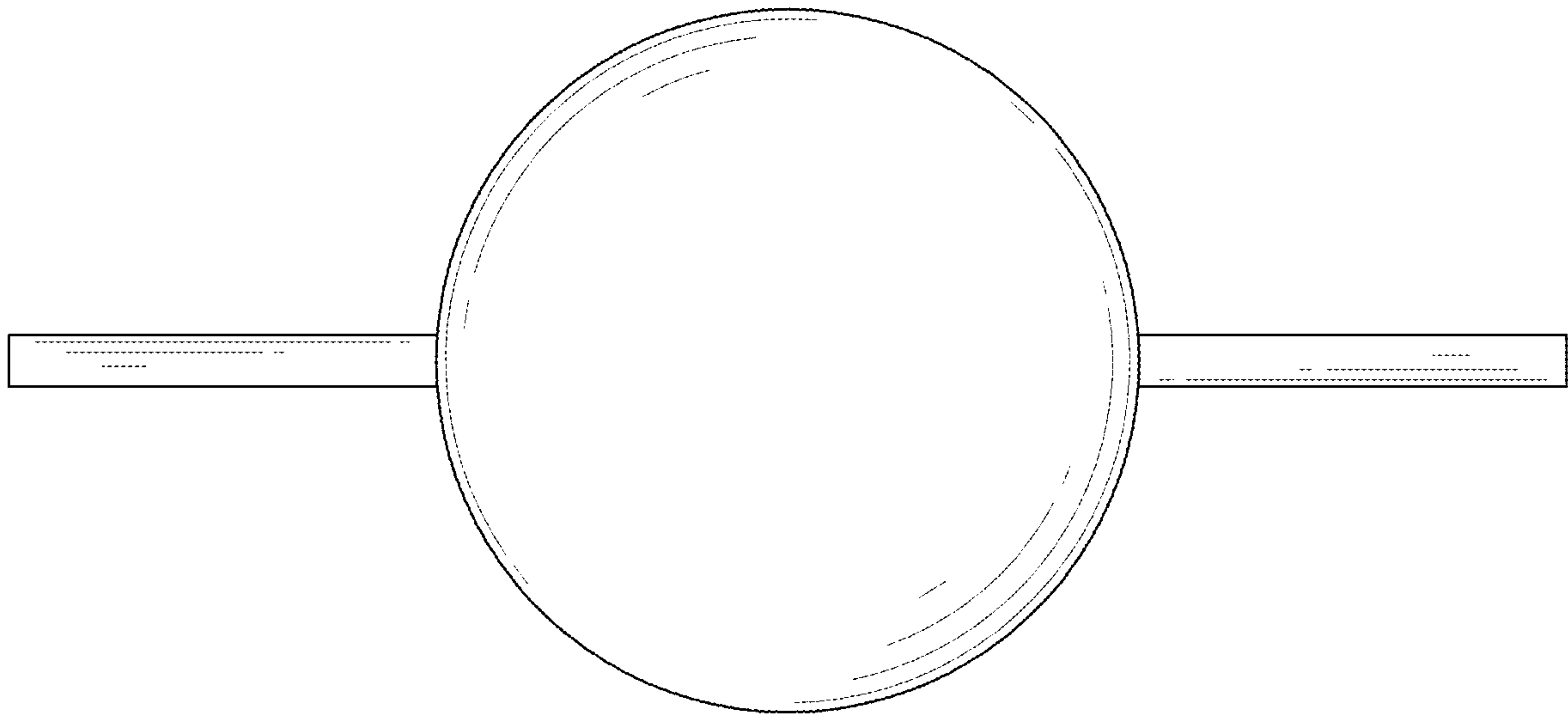


FIG. 8