



US00D893084S

(12) **United States Design Patent**
Amato et al.

(10) **Patent No.:** **US D893,084 S**
(45) **Date of Patent:** **** Aug. 11, 2020**

(54) **LIGHTING FIXTURE**

(71) Applicant: **The Urban Electric Company**, North Charleston, SC (US)

(72) Inventors: **Michael Amato**, London (GB); **David Dawson**, Charleston, SC (US); **Jonathan Charpia**, Summerville, SC (US); **Joeangel Casanova**, Brooklyn, NY (US); **Christopher Roof**, Charleston, SC (US); **Brianna Magagnoli**, North Charleston, SC (US); **Janis Golubeckis**, Mount Pleasant, SC (US)

(73) Assignee: **The Urban Electric Company**, North Charleston, SC (US)

(**) Term: **15 Years**

(21) Appl. No.: **29/692,197**

(22) Filed: **May 23, 2019**

(51) **LOC (12) Cl.** **26-03**

(52) **U.S. Cl.**
USPC **D26/88**

(58) **Field of Classification Search**
USPC D26/81, 82, 84, 85, 86, 88, 89, 90, 91,
D26/118, 128, 129, 131-133, 135, 136,
D26/137
CPC F21S 8/04; F21S 8/046; F21S 8/06; F21S
8/061; F21S 8/063; F21S 8/065; F21V
1/20

See application file for complete search history.

(56) **References Cited**

U.S. PATENT DOCUMENTS

D35,427 S * 12/1901 Alton D26/88
D78,750 S * 6/1929 Gunnison D26/86
D101,317 S * 9/1936 Winkler D26/88
2,136,862 A * 11/1938 Norton F21V 7/04
362/255
D581,087 S * 11/2008 Sabernig D26/88

D582,091 S * 12/2008 Nicholas D26/129
D606,702 S * 12/2009 Chandler D26/88
D849,305 S * 5/2019 Ventura Conesa D26/88
D869,735 S * 12/2019 Babutzka D26/88

OTHER PUBLICATIONS

Borealis Pyramid Pendant by Jamie Young Jeter, David Jeter for Jamie Young Co. from lumens.com visited Jun. 22, 2020. (Year: 2020).*

Adriana Globe Pendant from potterybarn.com, visited Jun. 22, 2020. (Year: 2020).*

* cited by examiner

Primary Examiner — Clare E Heflin

(74) *Attorney, Agent, or Firm* — Haynsworth Sinkler Boyd, P.A.

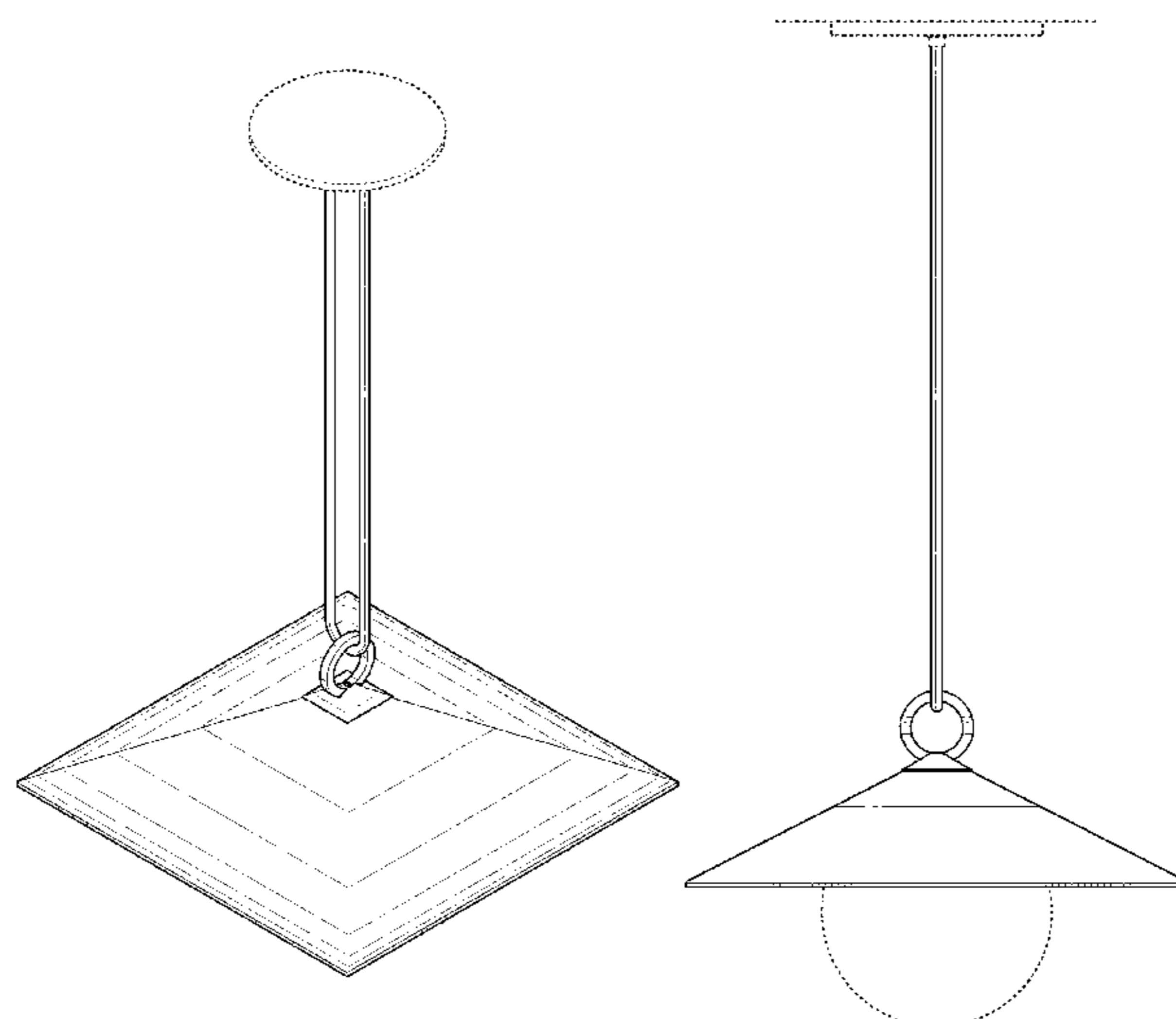
(57) **CLAIM**

The ornamental design for a lighting fixture, as shown and described.

DESCRIPTION

FIG. 1 is a bottom perspective view of a lighting fixture depicting a new design;
FIG. 2 is a top perspective view thereof;
FIG. 3 is a front elevational view thereof;
FIG. 4 is a back elevational view thereof;
FIG. 5 is a left elevational view thereof;
FIG. 6 is a right elevational view thereof;
FIG. 7 is a top plan view thereof; and,
FIG. 8 is a bottom plan view thereof.
The horizontal broken lines extending out beyond the perimeter of the fixture in FIGS. 3-6 are intended to demonstrate environment only and form no part of the claimed design. The remaining broken line disclosures in the views represent portions of the lighting fixture that form no part of the claimed design.

1 Claim, 7 Drawing Sheets



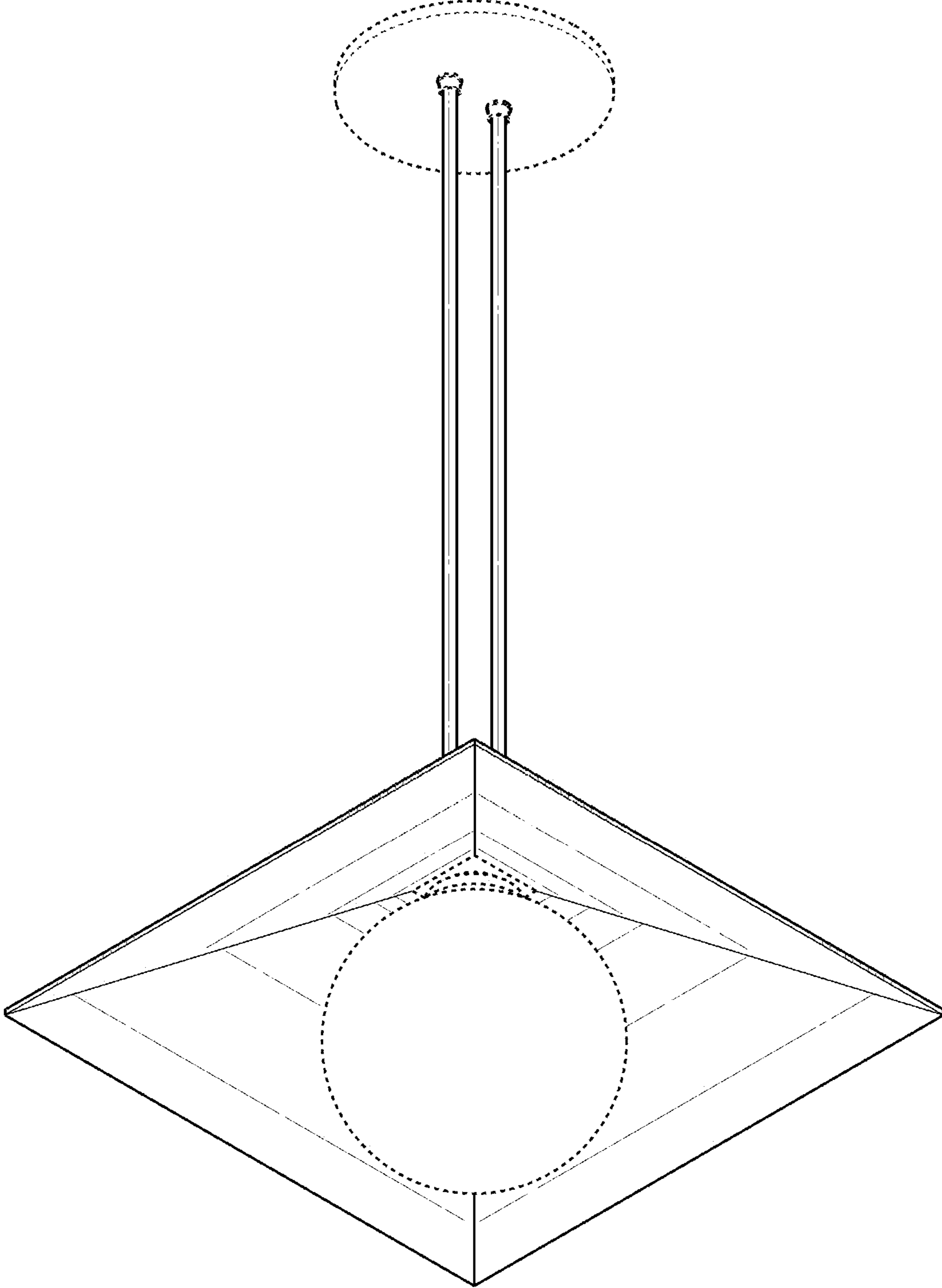


FIG. 1

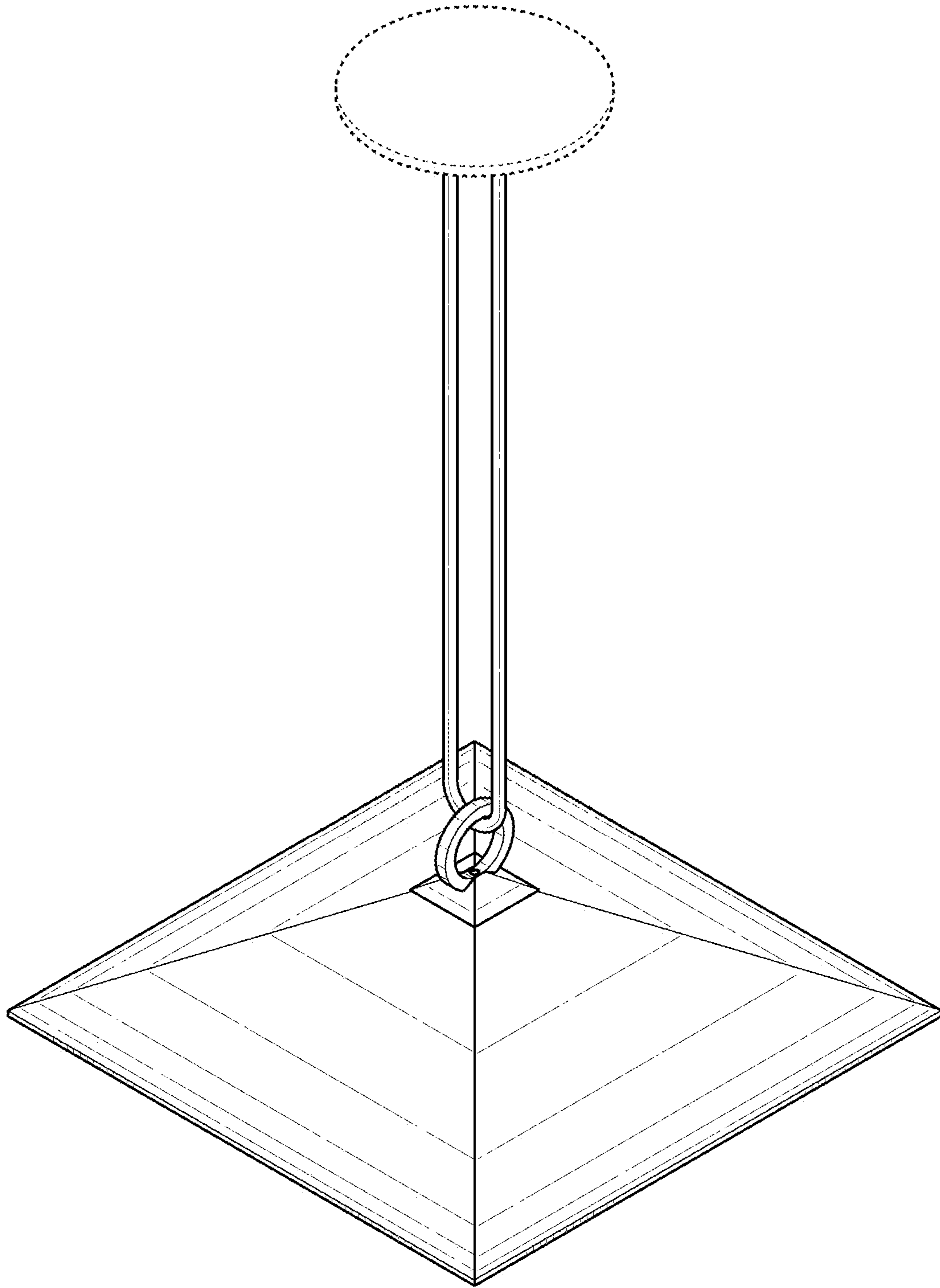


FIG. 2

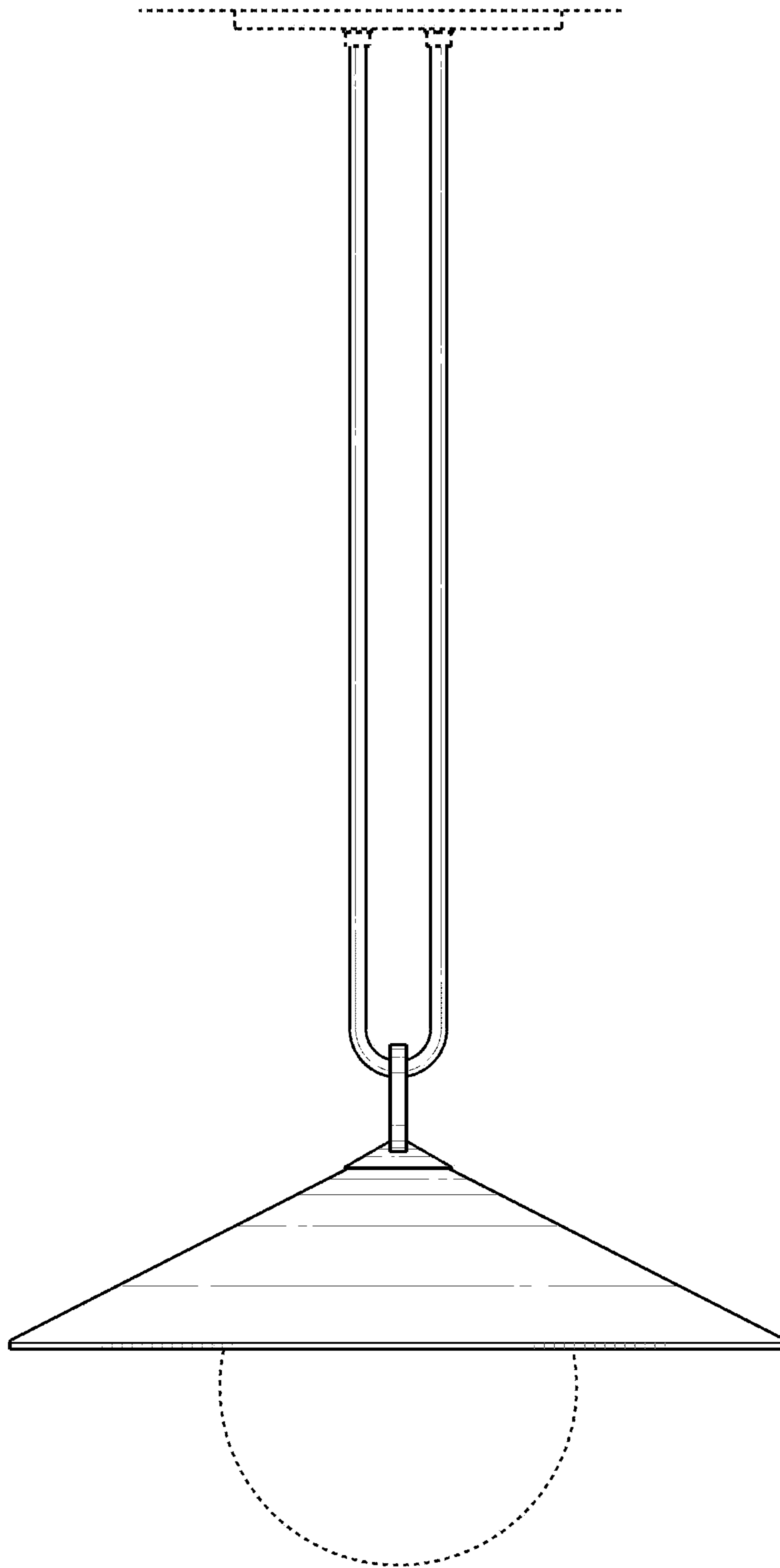


FIG. 3

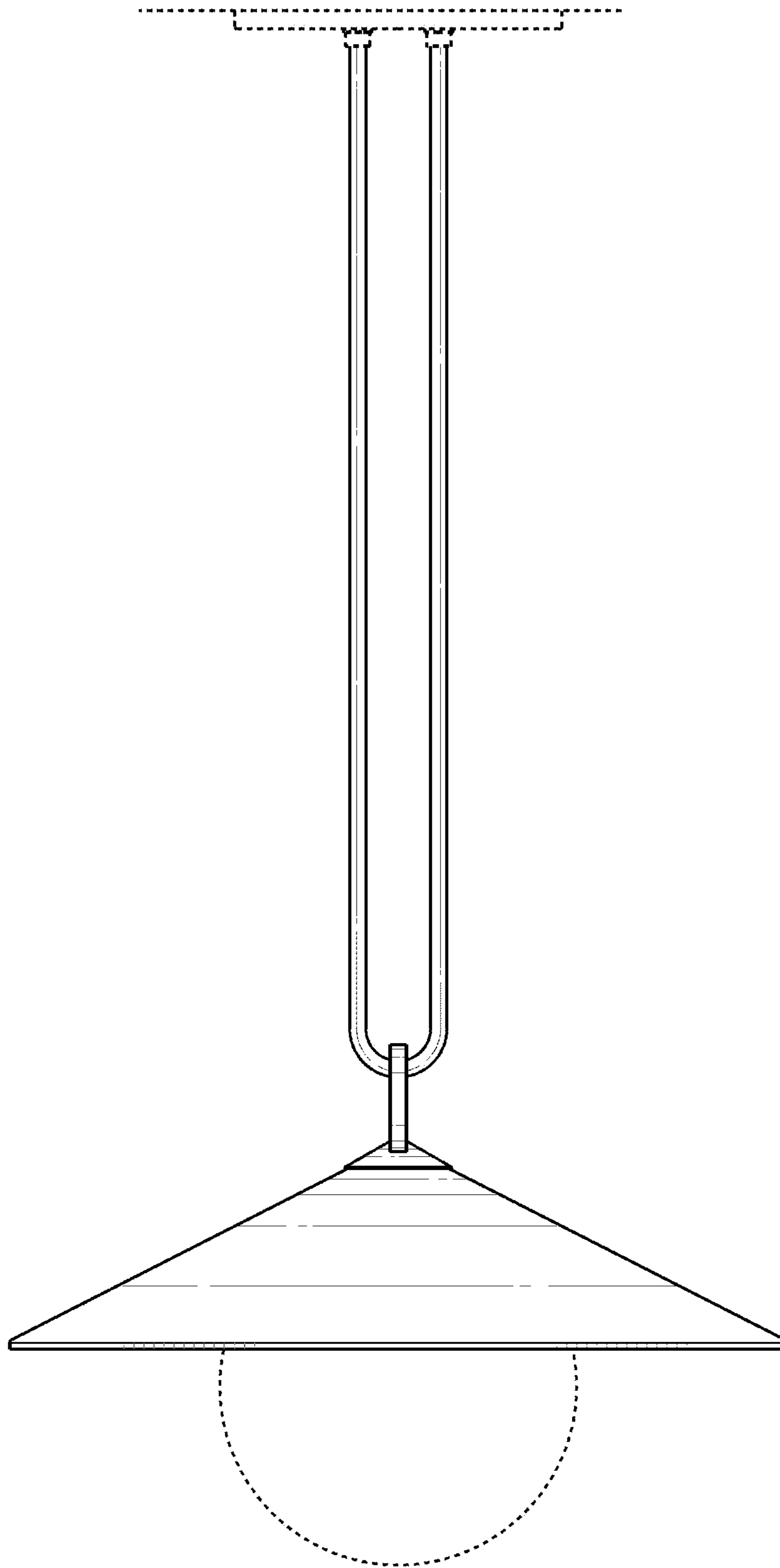


FIG. 4

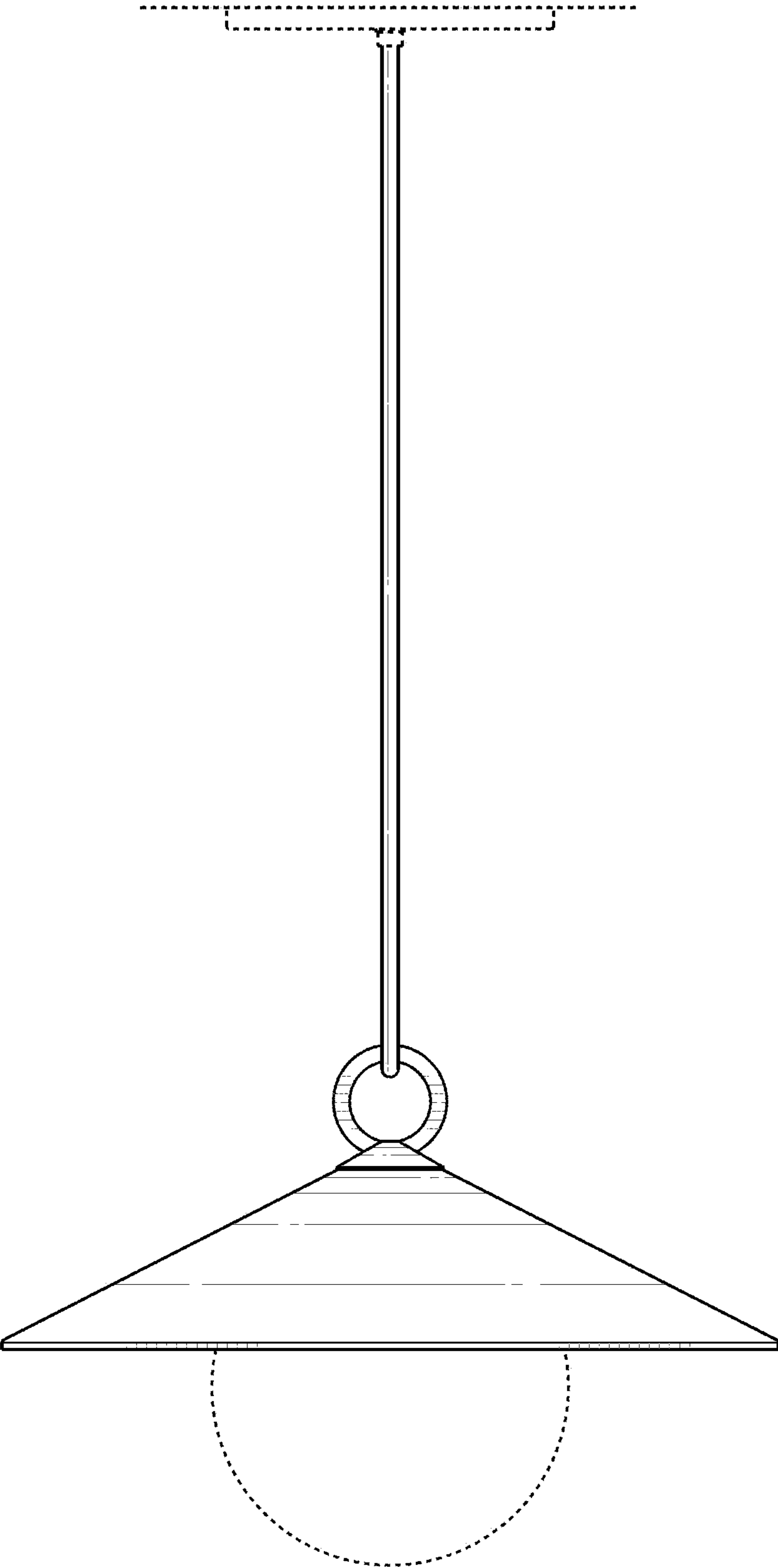


FIG. 5

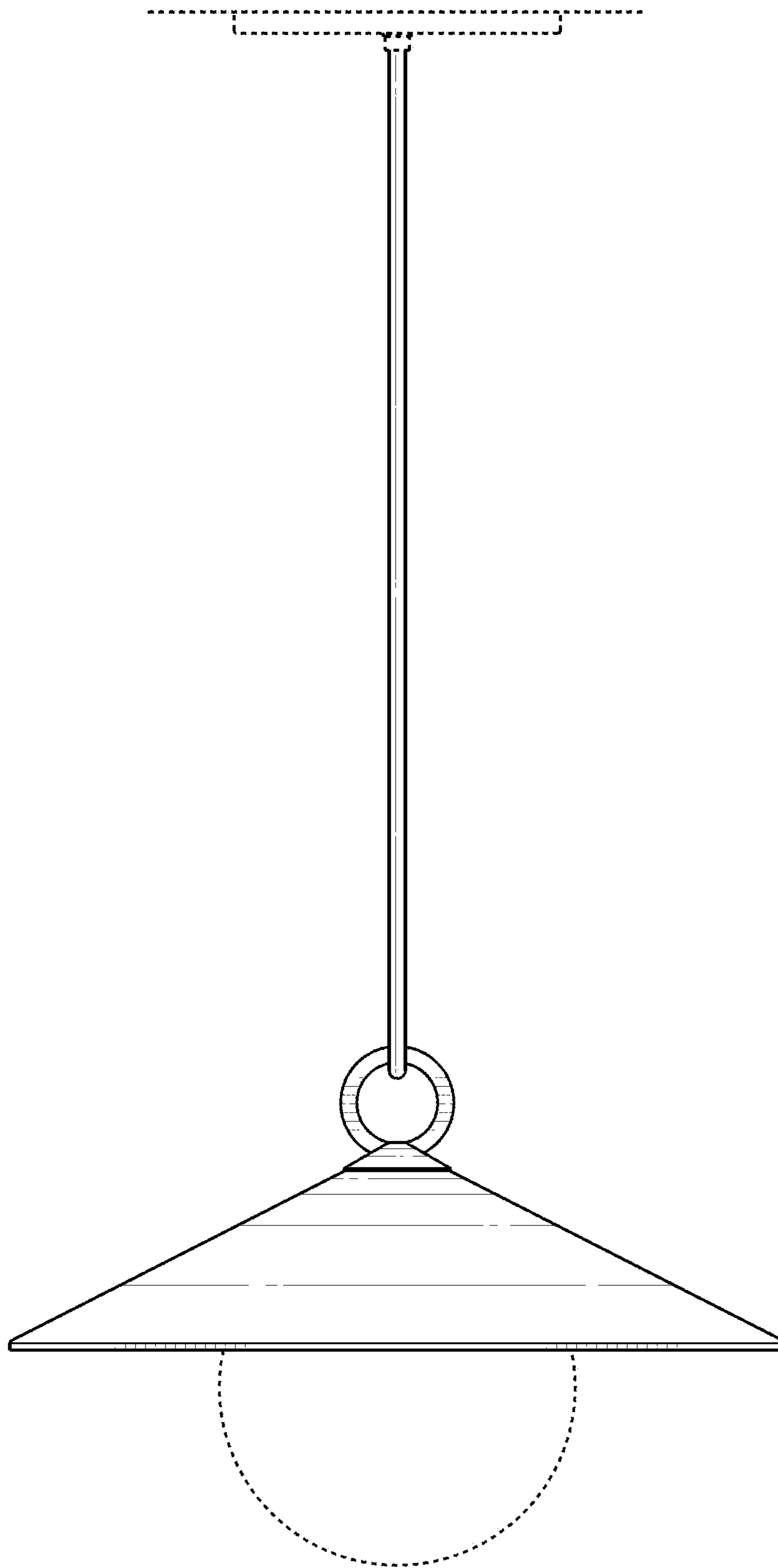


FIG. 6

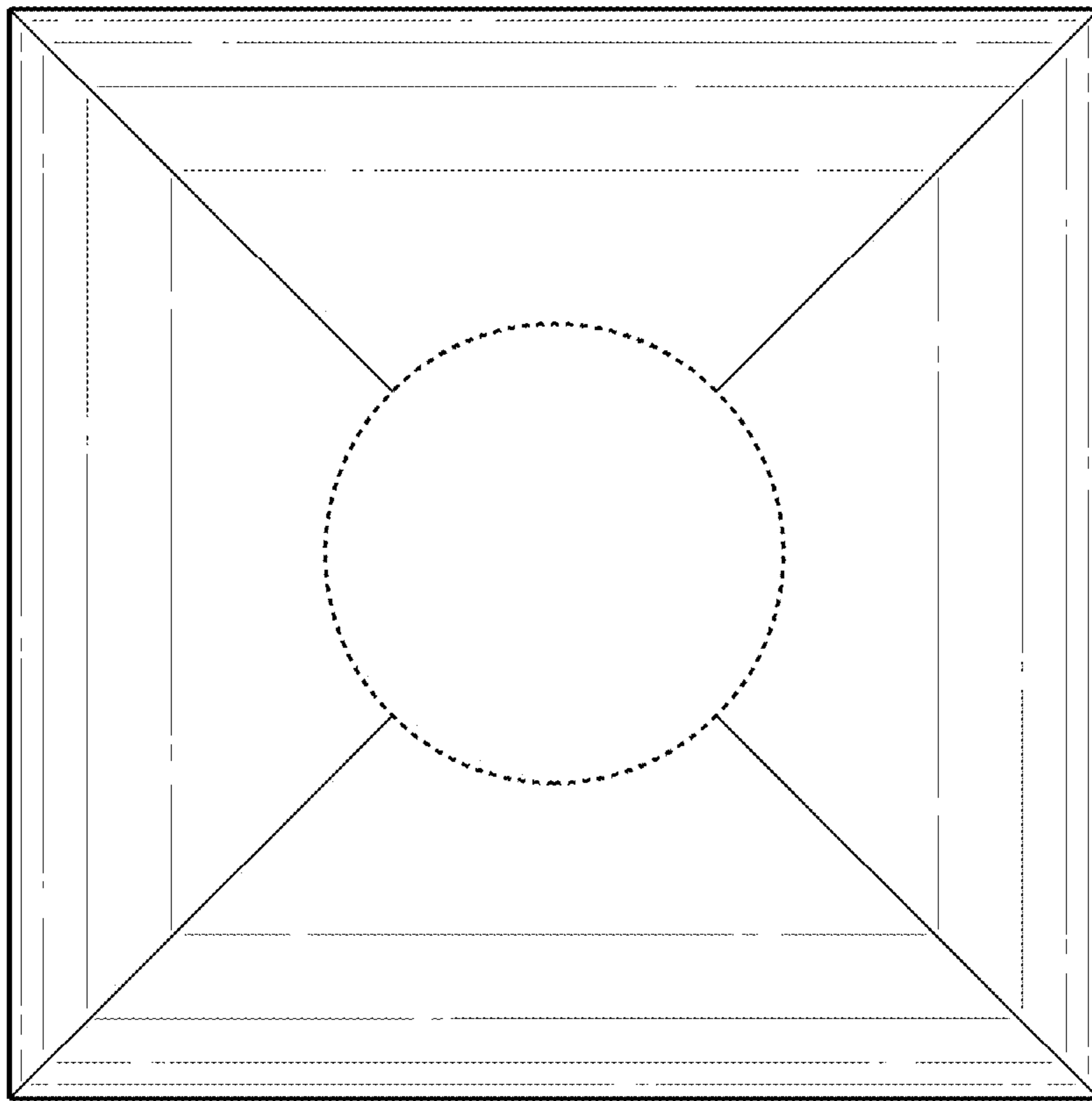


FIG. 7

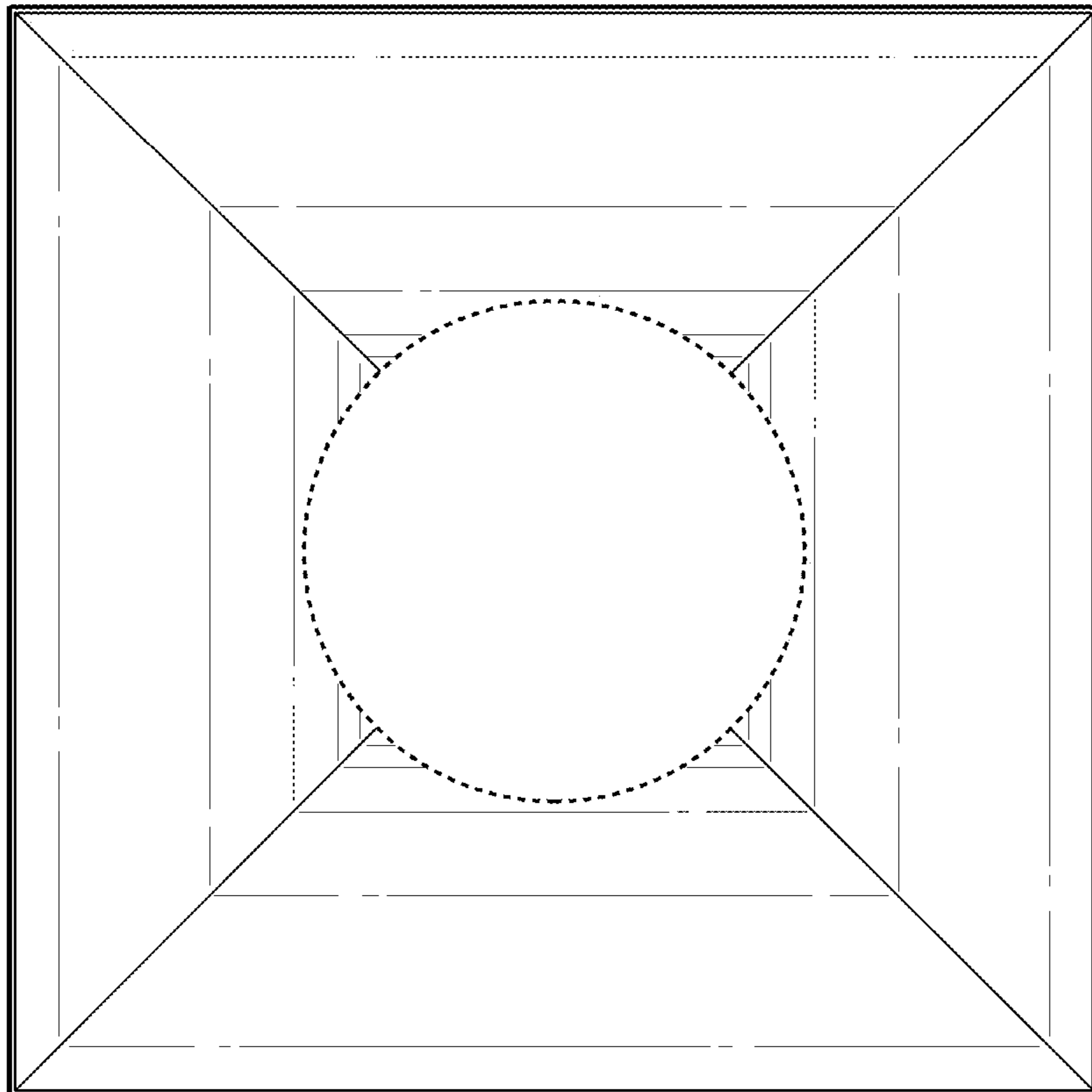


FIG. 8