



US00D893083S

(12) **United States Design Patent** (10) **Patent No.:** **US D893,083 S**  
**Cornelissen** (45) **Date of Patent:** **\*\* Aug. 11, 2020**

(54) **LUMINAIRE**  
(71) Applicant: **Beta-Calco Inc.**, Toronto (CA)  
(72) Inventor: **Serge C. R. H. Cornelissen**, Kortrijk-Marke (BE)  
(73) Assignee: **Beta-Calco, Inc.**, Toronto (CA)  
(\*\*) Term: **15 Years**  
(21) Appl. No.: **29/668,539**  
(22) Filed: **Oct. 31, 2018**  
(51) **LOC (12) Cl.** ..... **26-03**  
(52) **U.S. Cl.**  
USPC ..... **D26/88**  
(58) **Field of Classification Search**  
USPC ..... D26/72, 81-86, 88-91  
CPC .... F21S 8/04; F21S 8/043; F21S 8/046; F21S 8/06; F21S 8/061; F21S 8/063; F21S 8/065  
See application file for complete search history.

D807,562 S \* 1/2018 Amato ..... D26/88  
D851,322 S \* 6/2019 Anastassiades ..... D26/91  
2015/0300605 A1\* 10/2015 Clark ..... F21V 1/22  
362/367  
2019/0339443 A1\* 11/2019 Ross ..... G02B 6/0011

**OTHER PUBLICATIONS**

Dimple LED Pendant by ET2 Lighting, from lumens.com visited Nov. 25, 2019. (Year: 2019).\*  
Grand Drum pendant from the Series: S2815 collection. From ScottArchLighting.com visited Nov. 25, 2019. (Year: 2019).\*

\* cited by examiner

*Primary Examiner* — Clare E Heflin  
(74) *Attorney, Agent, or Firm* — Renner, Otto, Boisselle & Sklar, LLP

(57) **CLAIM**

The ornamental design for a luminaire, as shown and described.

**DESCRIPTION**

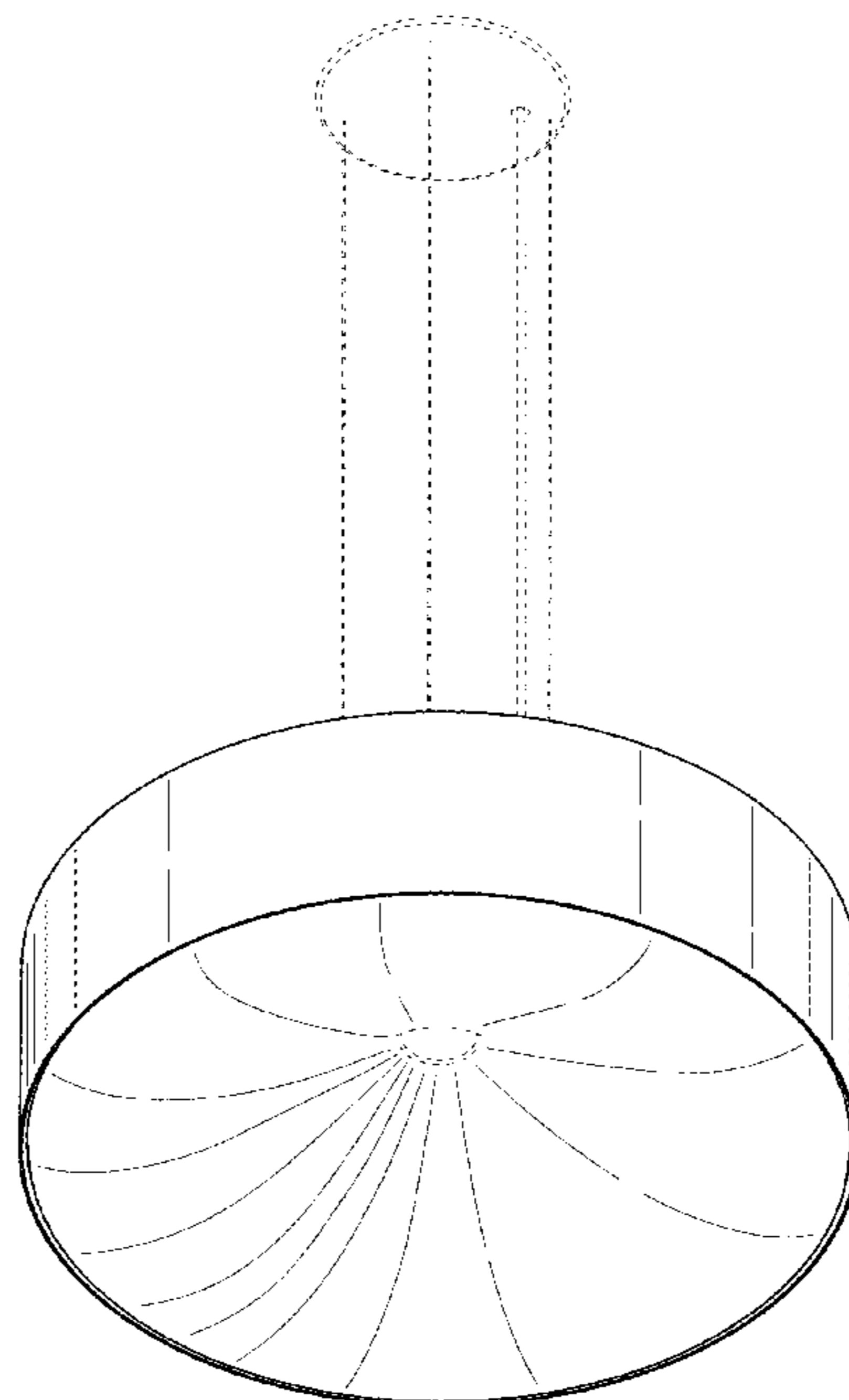
FIG. 1 is a bottom perspective view of a luminaire showing the design;  
FIG. 2 is a top perspective view thereof;  
FIG. 3 is a front view thereof;  
FIG. 4 is a rear view thereof;  
FIG. 5 is a left side view thereof;  
FIG. 6 is a right side view thereof;  
FIG. 7 is a top view thereof; and,  
FIG. 8 is a bottom view thereof.  
The portions of the luminaire shown in broken lines form no part of the design.

**1 Claim, 8 Drawing Sheets**

(56) **References Cited**

**U.S. PATENT DOCUMENTS**

D40,054 S *	6/1909	Howell	.....	D26/90
D129,362 S *	9/1941	Pieper	.....	D26/88
D459,525 S *	6/2002	Barry	.....	D26/73
D469,562 S *	1/2003	Crasset	.....	D26/90
D547,483 S *	7/2007	Pickett	.....	D26/59
D556,361 S *	11/2007	Arbel	.....	D26/88
D671,676 S *	11/2012	Komarov	.....	D26/88
D683,884 S *	6/2013	Kim	.....	D26/84
D686,771 S *	7/2013	Lastimoso	.....	D26/88
RE45,354 E *	2/2015	Morgan	.....	D26/84
D755,433 S *	5/2016	Sonneman	.....	D26/84
D779,104 S *	2/2017	Krueckeberg	.....	D26/88
D806,928 S *	1/2018	Amato	.....	D26/88



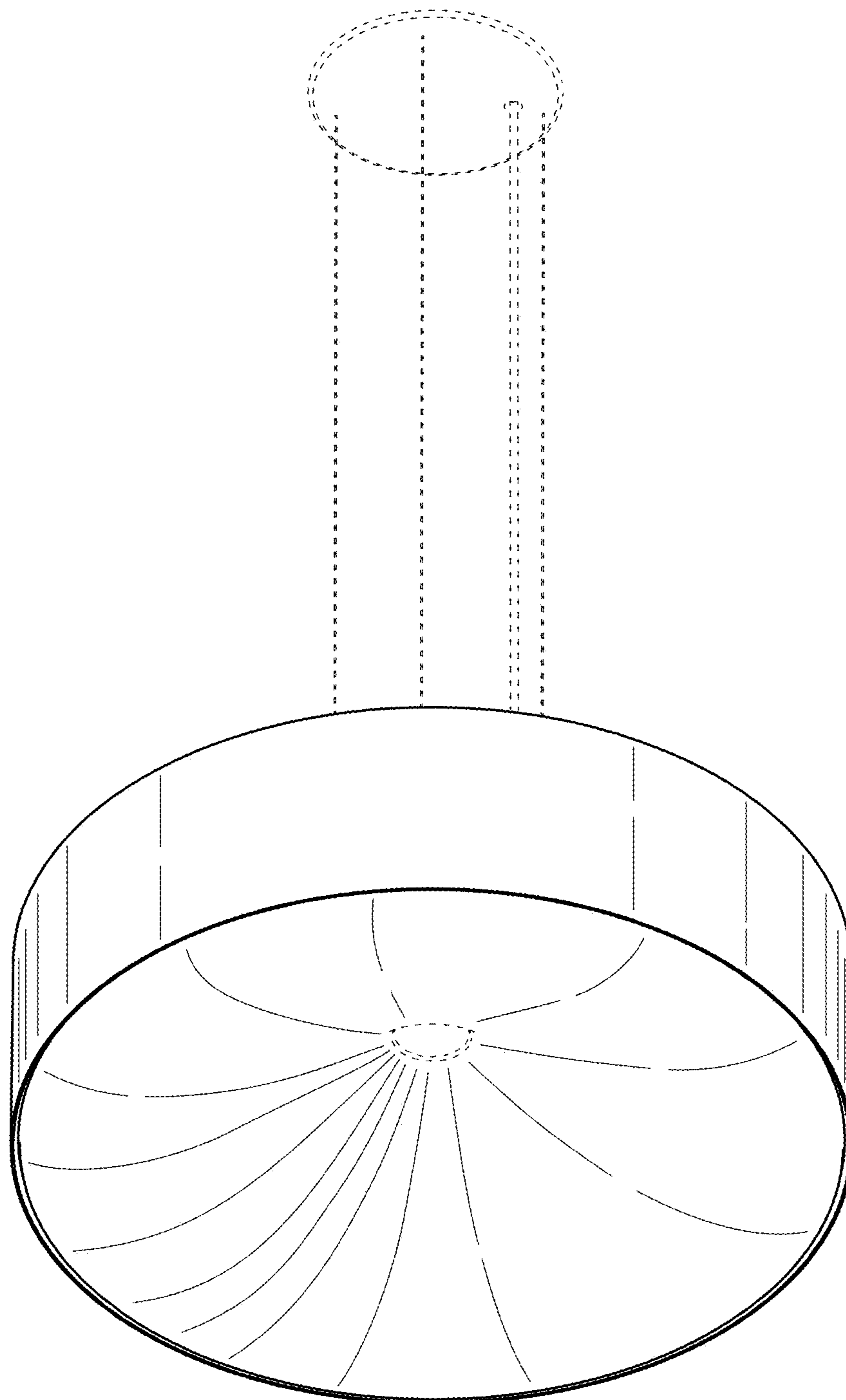
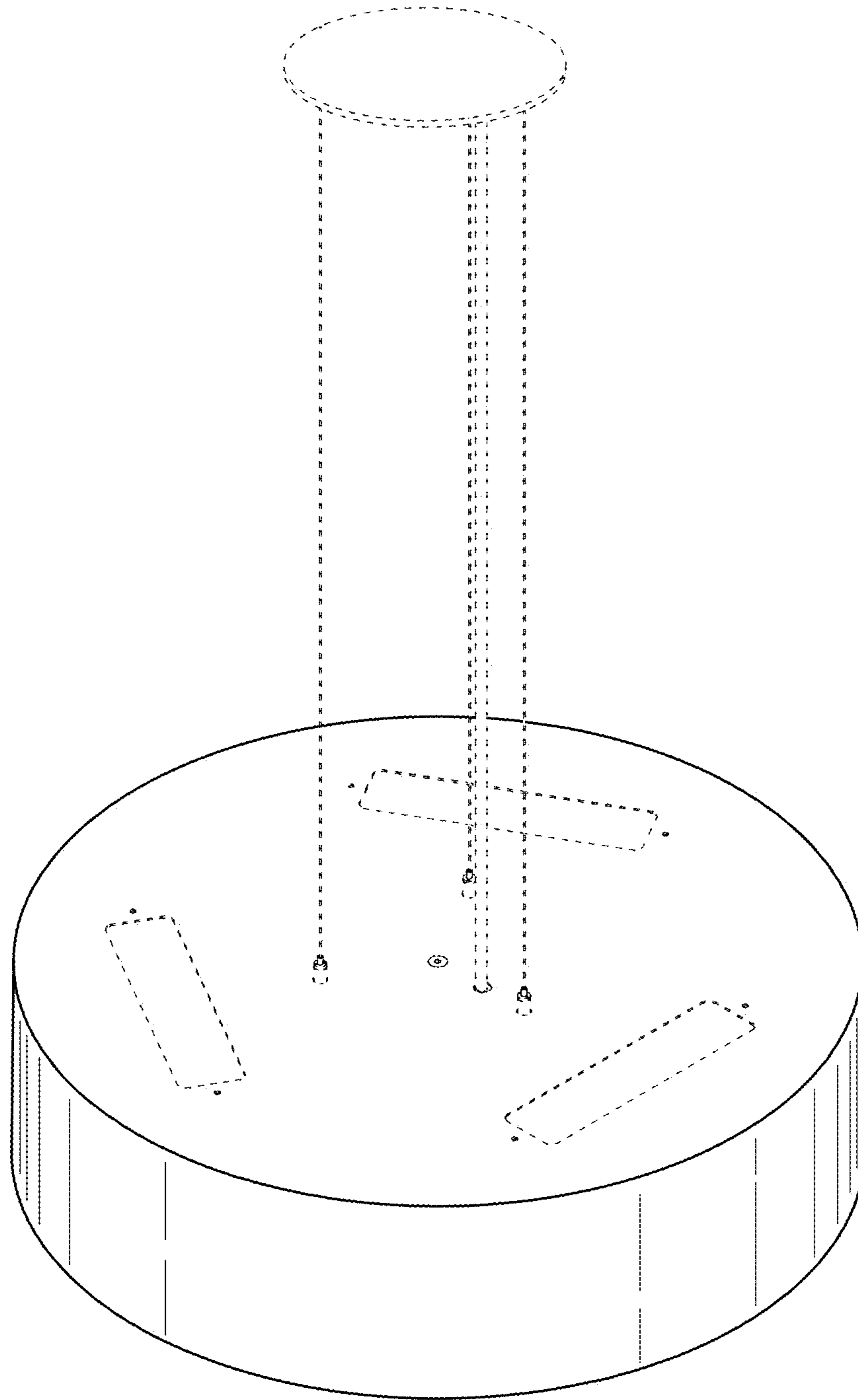
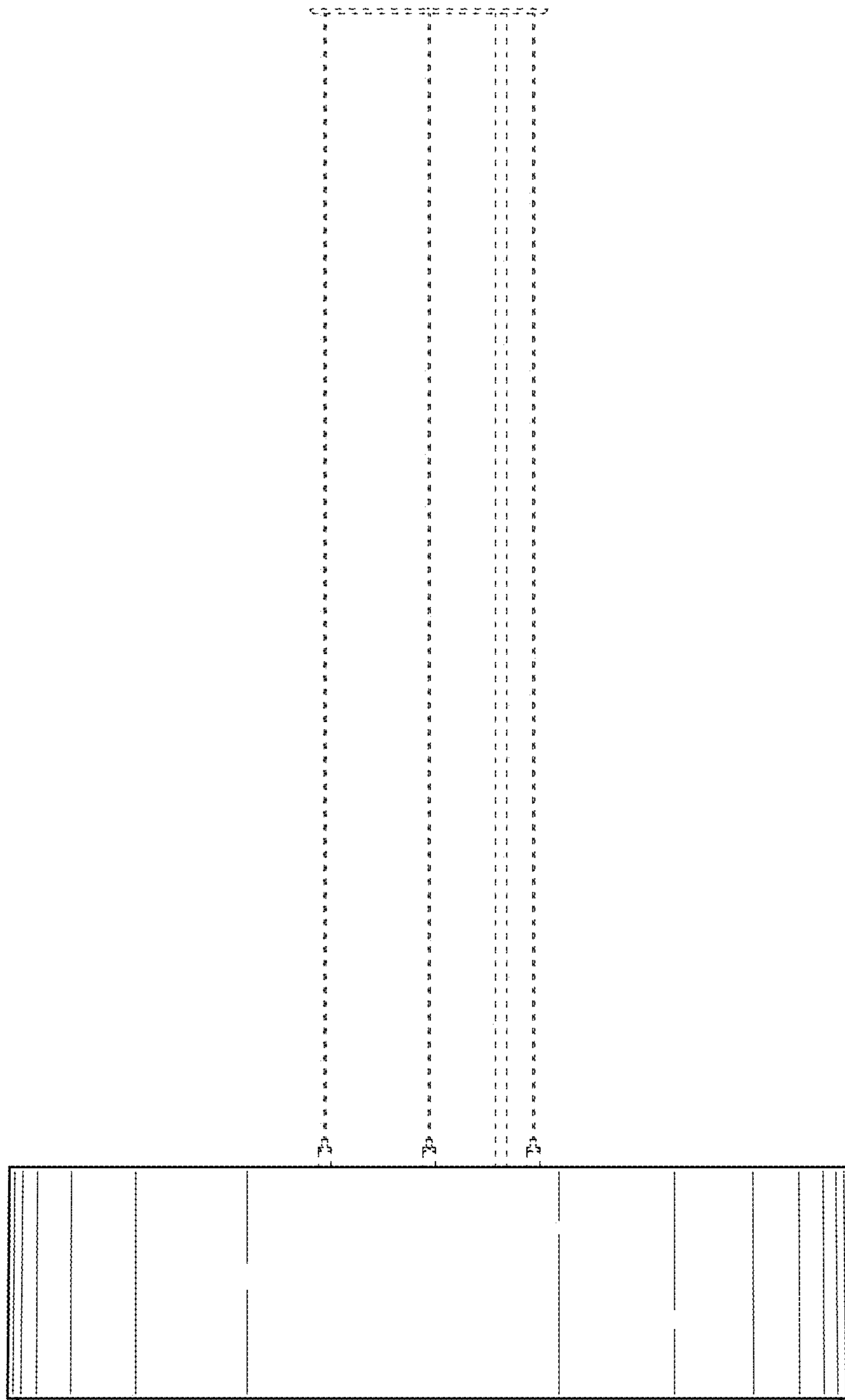


FIG. 1



**FIG. 2**



**FIG. 3**

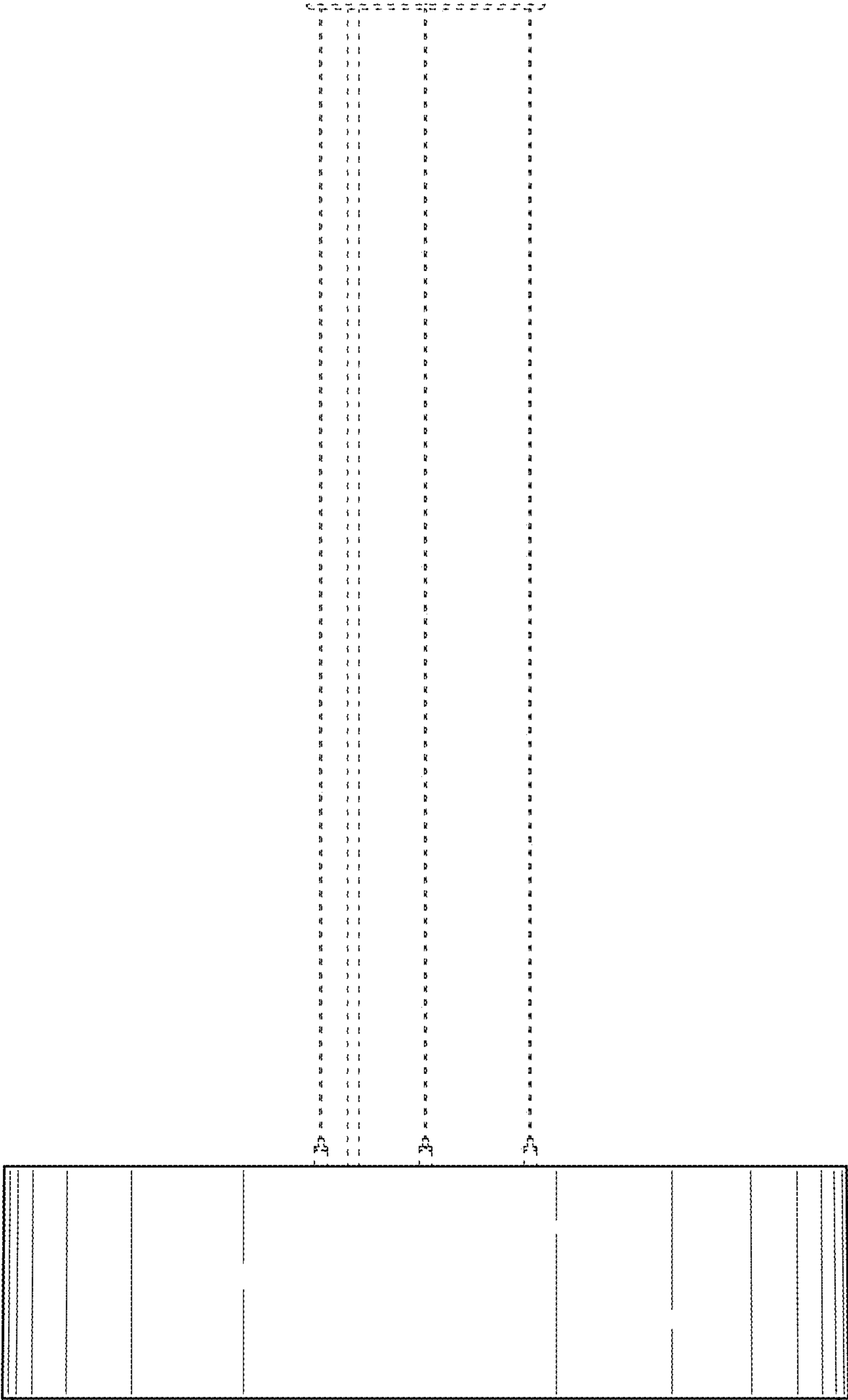


FIG. 4

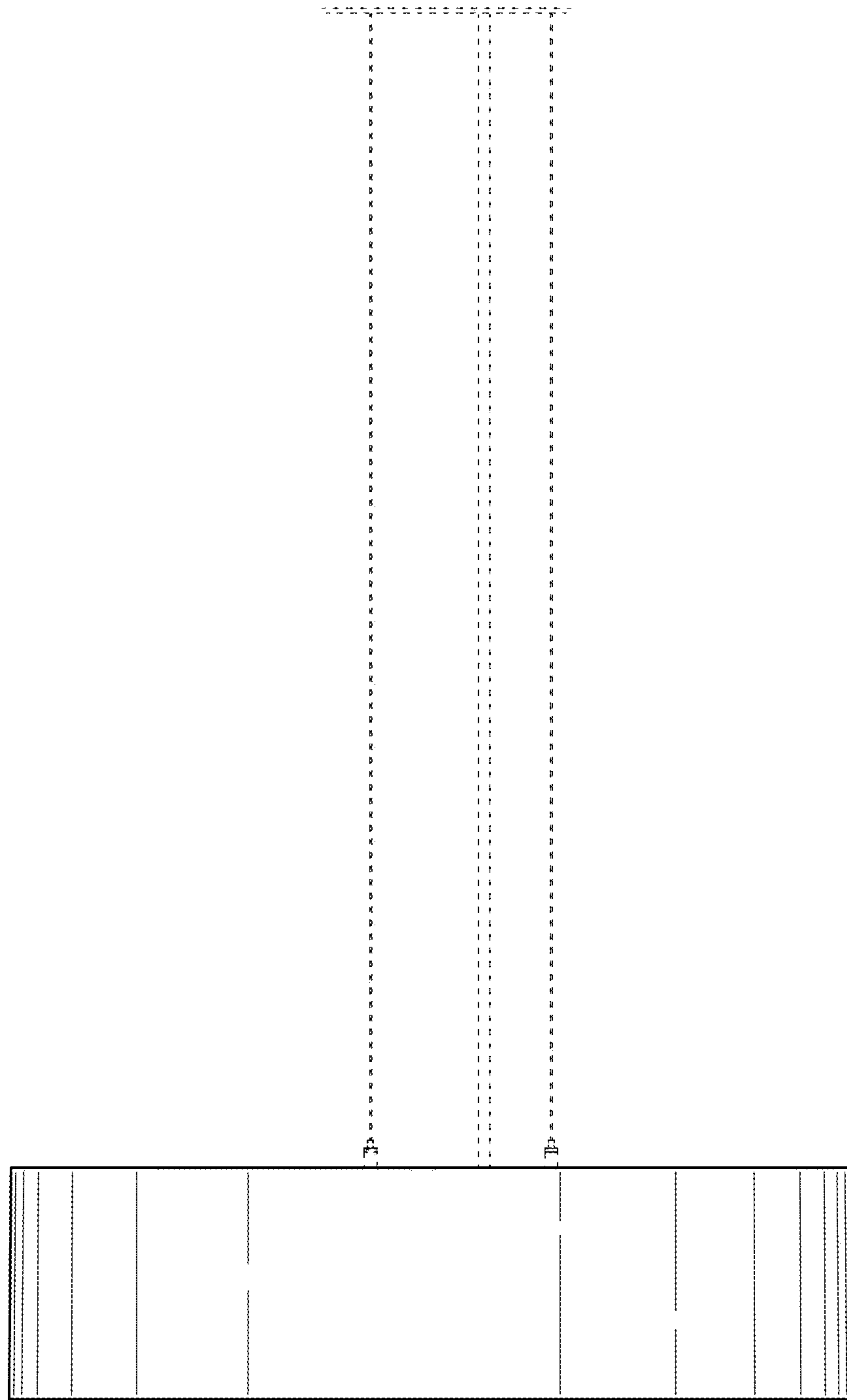
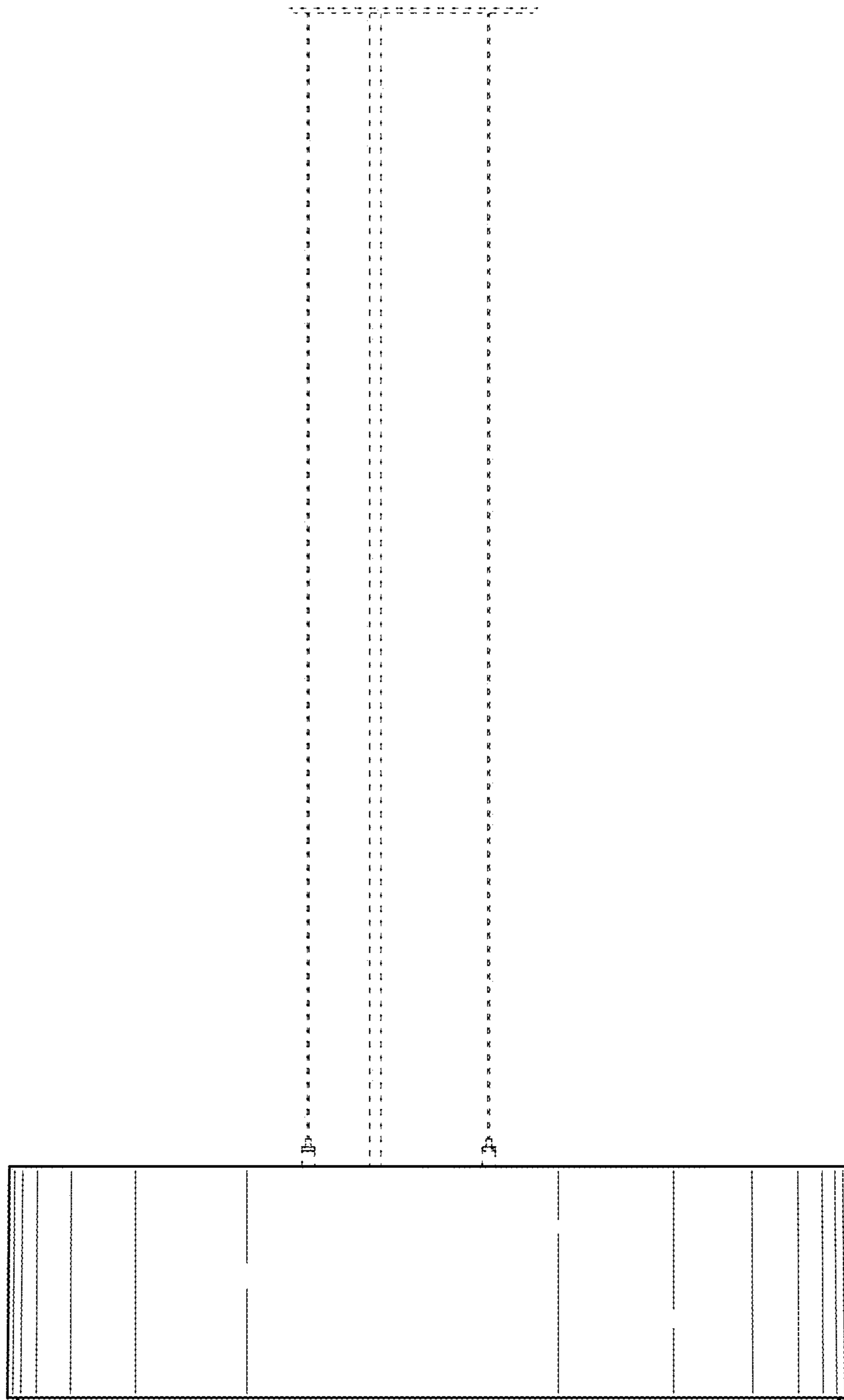
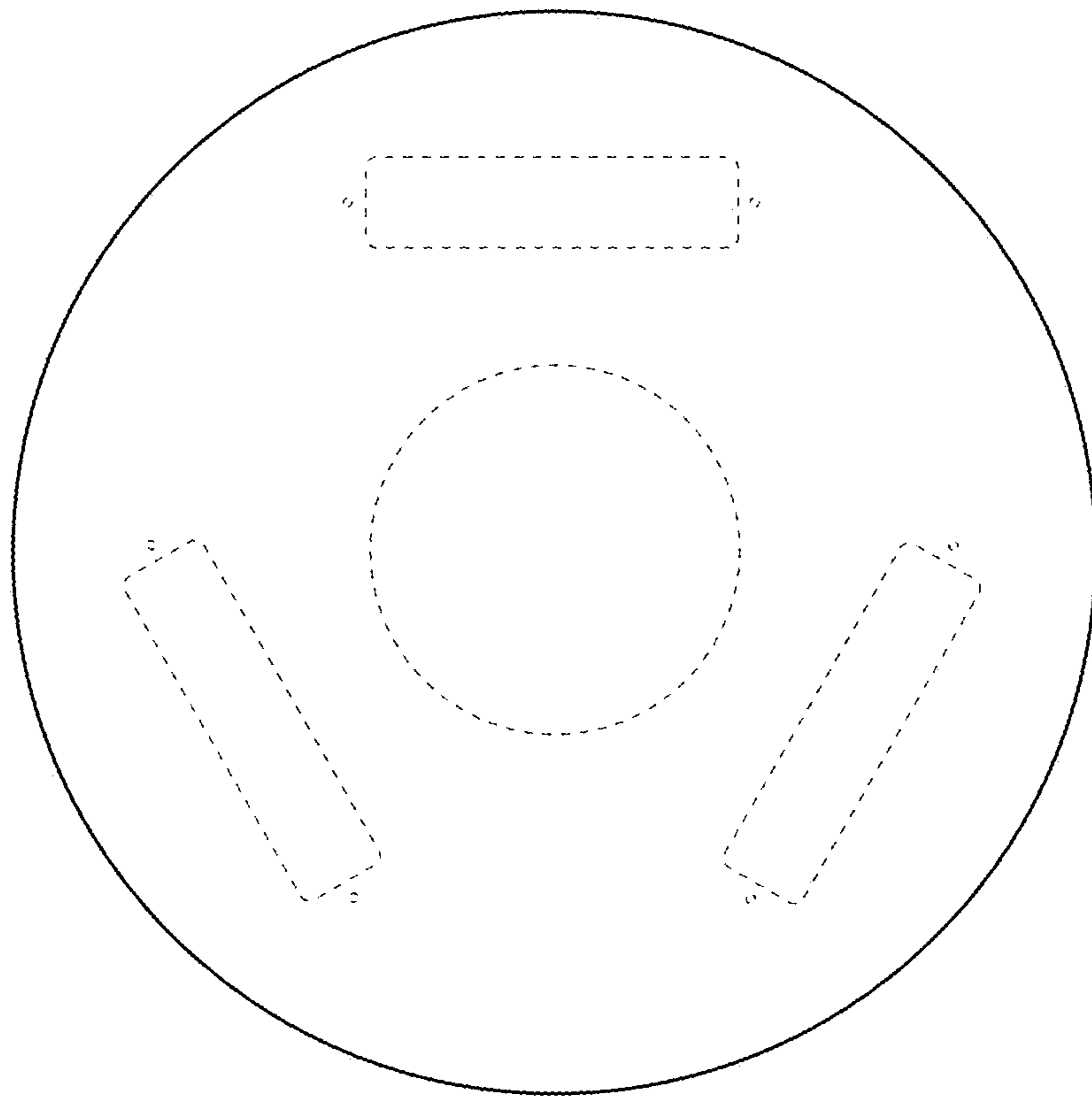


FIG. 5

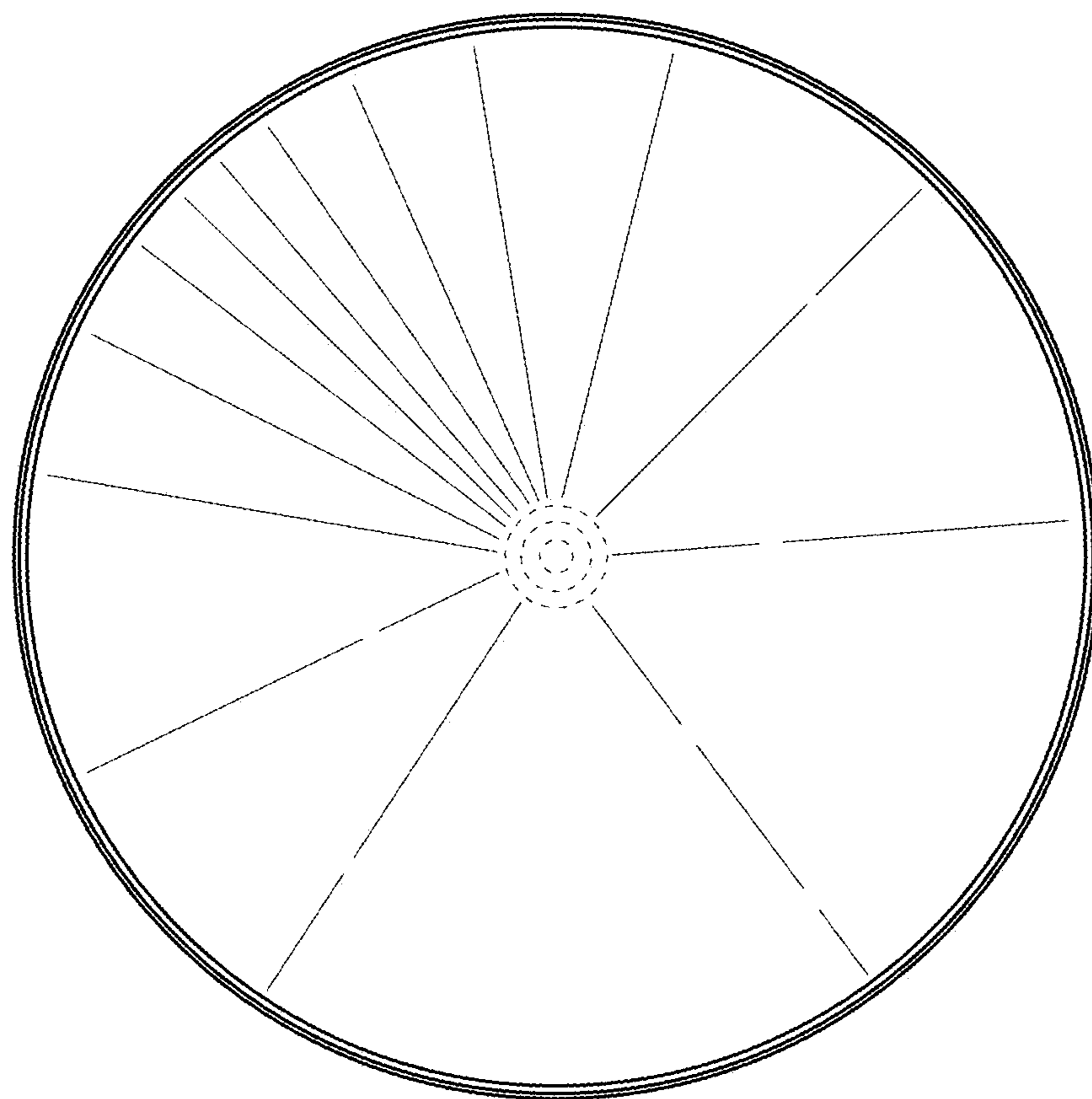


**FIG. 6**



**FIG. 7**





**FIG. 8**