



US00D893082S

(12) **United States Design Patent** (10) **Patent No.:** **US D893,082 S**
Amato et al. (45) **Date of Patent:** **** Aug. 11, 2020**

(54) **LIGHTING FIXTURE**

(71) Applicant: **The Urban Electric Company**, North Charleston, SC (US)

(72) Inventors: **Michael Amato**, London (GB); **David Dawson**, Charleston, SC (US); **Jonathan Charpia**, Summerville, SC (US); **Joeangel Casanova**, Brooklyn, NY (US); **Christopher Roof**, Charleston, SC (US); **Brianna Magagnoli**, North Charleston, SC (US); **Janis Golubeckis**, Mount Pleasant, SC (US)

(73) Assignee: **The Urban Electric Company**, North Charleston, SC (US)

(**) Term: **15 Years**

(21) Appl. No.: **29/683,040**

(22) Filed: **Mar. 11, 2019**

(51) **LOC (12) Cl.** **26-03**

(52) **U.S. Cl.**
USPC **D26/87; D26/80**

(58) **Field of Classification Search**
USPC D26/80, 85, 86, 87, 91, 92, 155
CPC F21S 8/03; F21S 8/031; F21S 8/033; F21S 8/035; F21S 8/036; F21S 13/02
See application file for complete search history.

(56) **References Cited**

U.S. PATENT DOCUMENTS

D62,512 S *	6/1923	Williamson	D26/80
D76,194 S *	8/1928	Knorr	D26/84
D81,022 S *	4/1930	Roettges	D26/80
D101,034 S *	9/1936	Glatthar et al.	D26/80
D124,182 S *	12/1940	McCann	D26/87
D152,994 S *	3/1949	McCann	D26/87
D164,507 S *	9/1951	McCann	D26/76

D442,317 S *	5/2001	Crosby	D26/87
D483,141 S *	12/2003	Lee	D26/80
D558,381 S *	12/2007	Horn	D26/85
D646,426 S *	10/2011	Wolk	D26/85
D851,319 S *	6/2019	Amato	D26/87
D863,648 S *	10/2019	Amato	D26/87

OTHER PUBLICATIONS

Cylinder Shape wall Light Model No. FL-636692 from ForeverLighting. Available at amazon.com May 26, 2019. (Year: 2019).*
Folsom 2 Light Wall Sconce from savoyhouse.com visited May 19, 2020. (Year: 2020).*

* cited by examiner

Primary Examiner — Clare E Heflin

(74) *Attorney, Agent, or Firm* — Haynsworth Sinkler Boyd, P.A.

(57) **CLAIM**

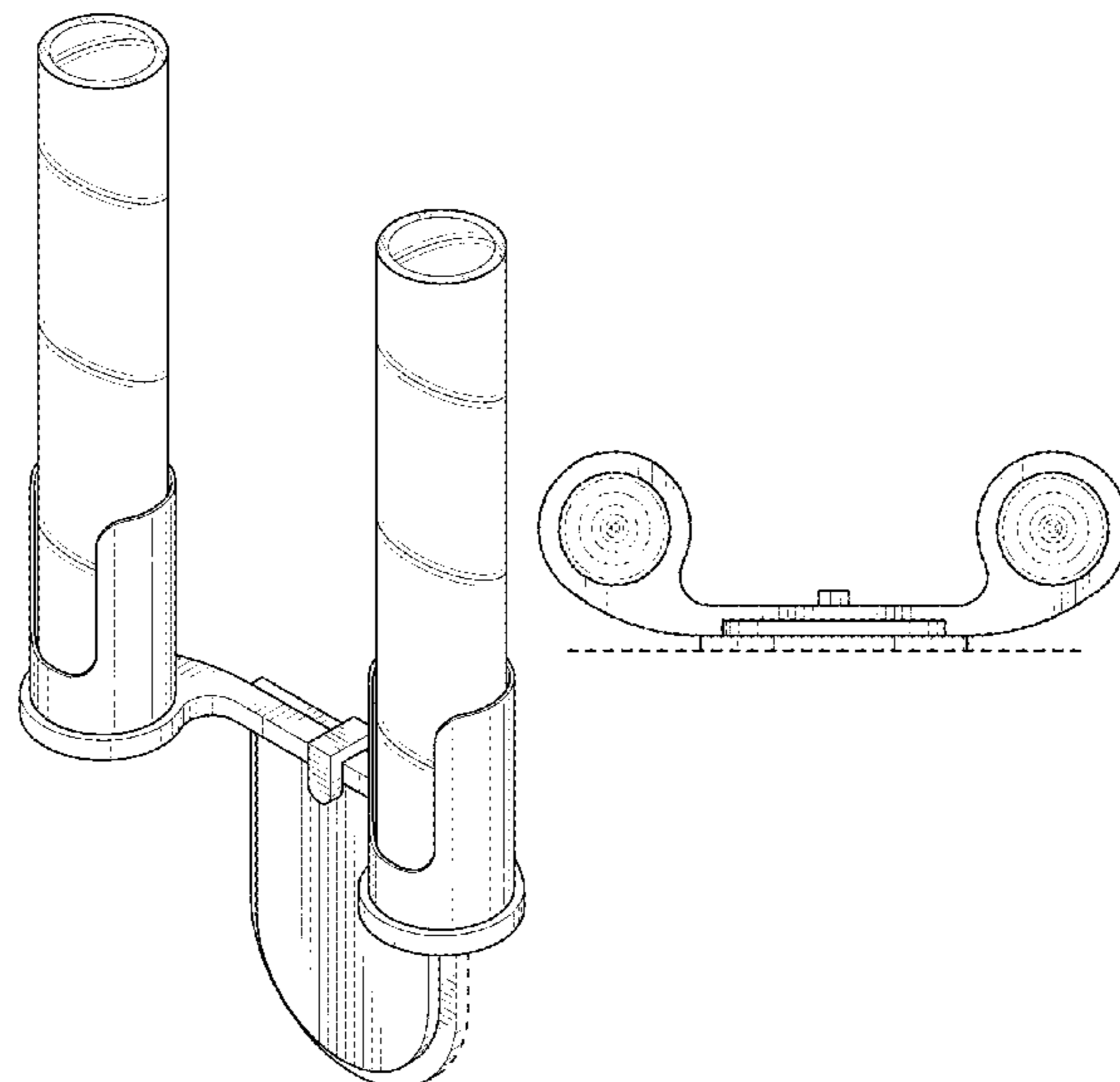
The ornamental design for a lighting fixture, as shown and described.

DESCRIPTION

FIG. 1 is a front perspective view of a lighting fixture depicting a new design;
FIG. 2 is a back perspective view thereof;
FIG. 3 is a left elevational view thereof;
FIG. 4 is a right elevational view thereof;
FIG. 5 is a front elevational view thereof;
FIG. 6 is a back elevational view thereof;
FIG. 7 is a top plan view thereof; and,
FIG. 8 is a bottom plan view thereof.

The broken lines extending out beyond the perimeter of the fixture in FIGS. 3-4 and 7-8 are intended to demonstrate environment only and form no part of the claimed design. The remaining broken line disclosures in the views represent portions of the lighting fixture that form no part of the claimed design.

1 Claim, 8 Drawing Sheets



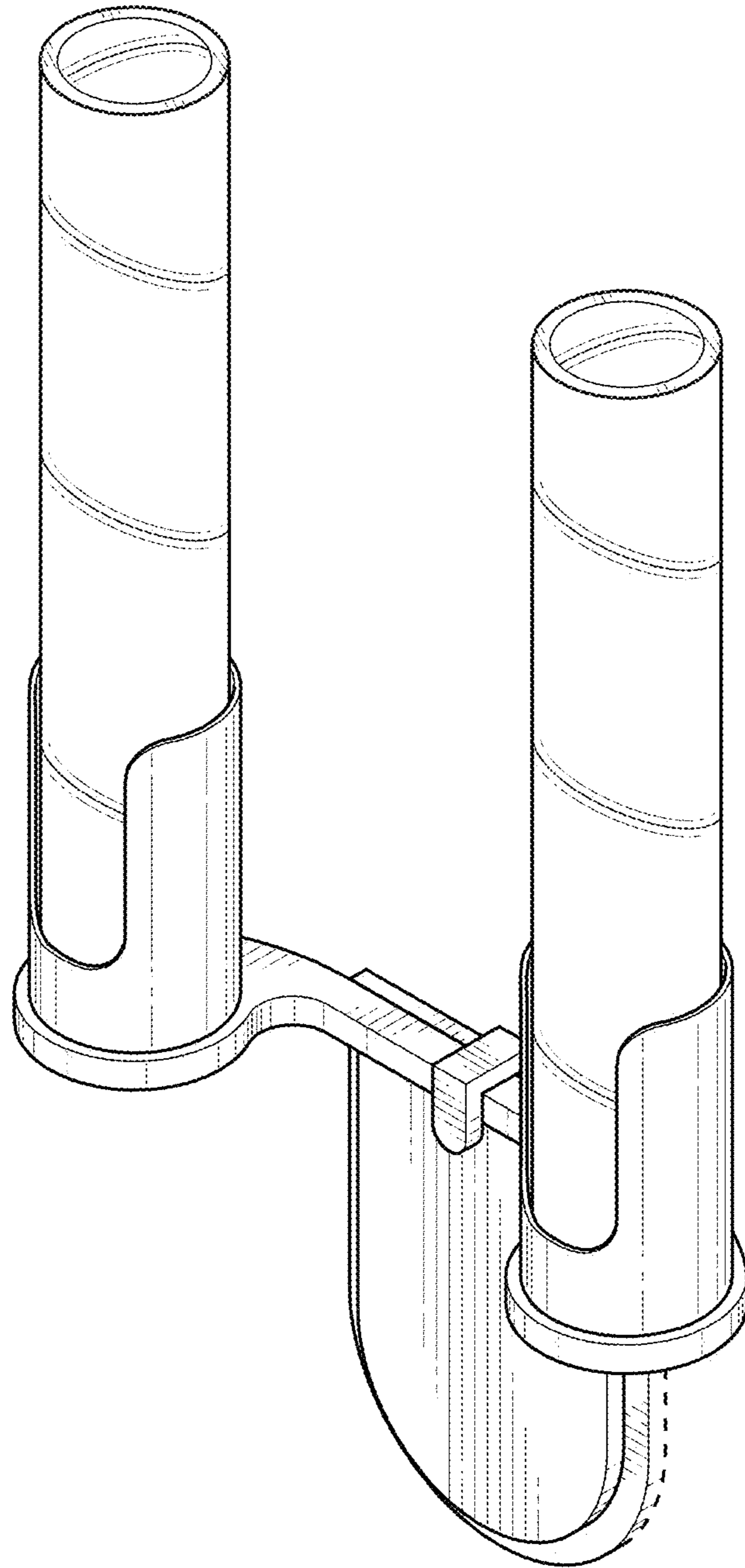


FIG. 1

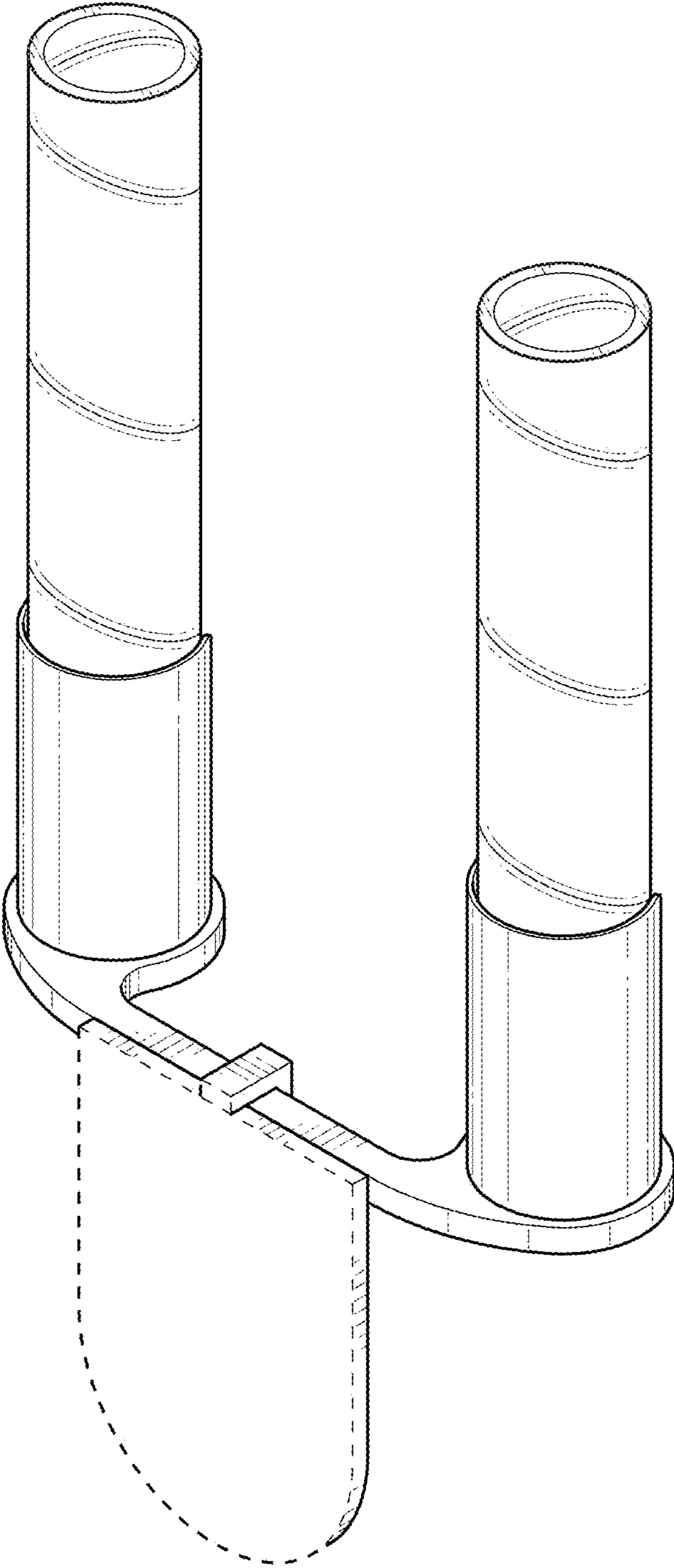


FIG. 2

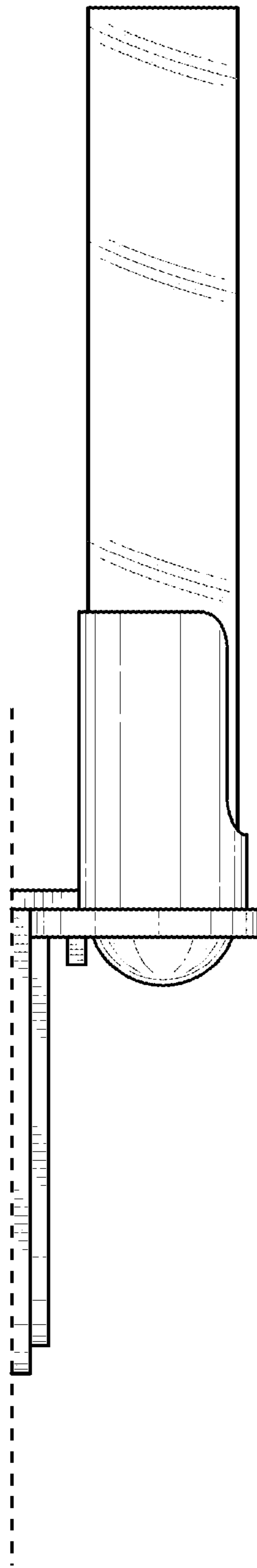


FIG. 3

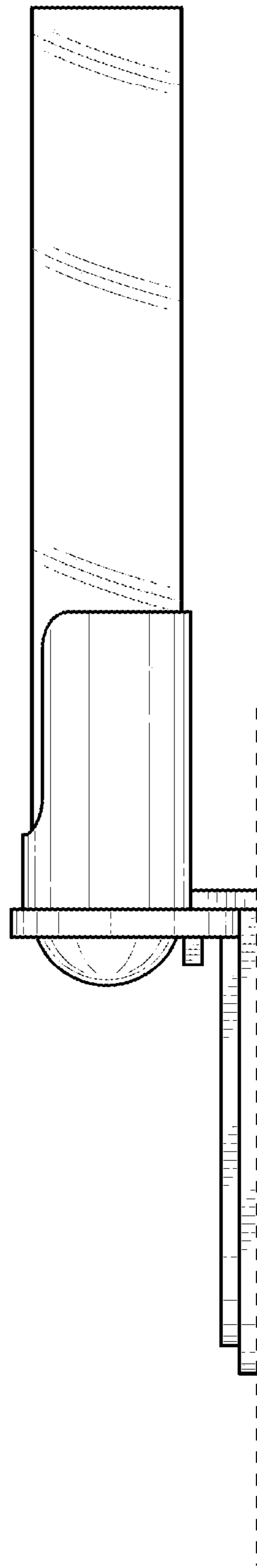


FIG. 4

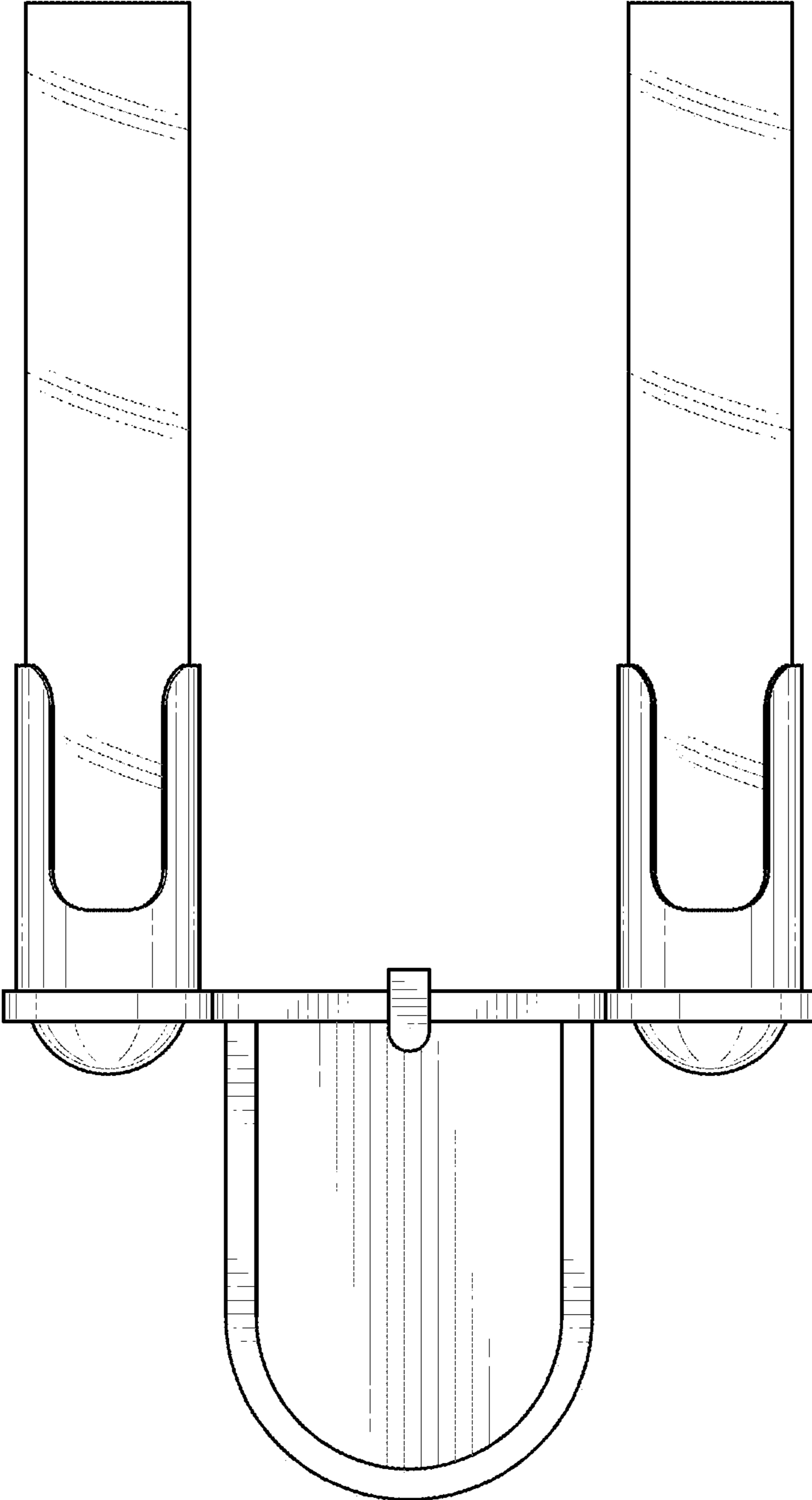


FIG. 5

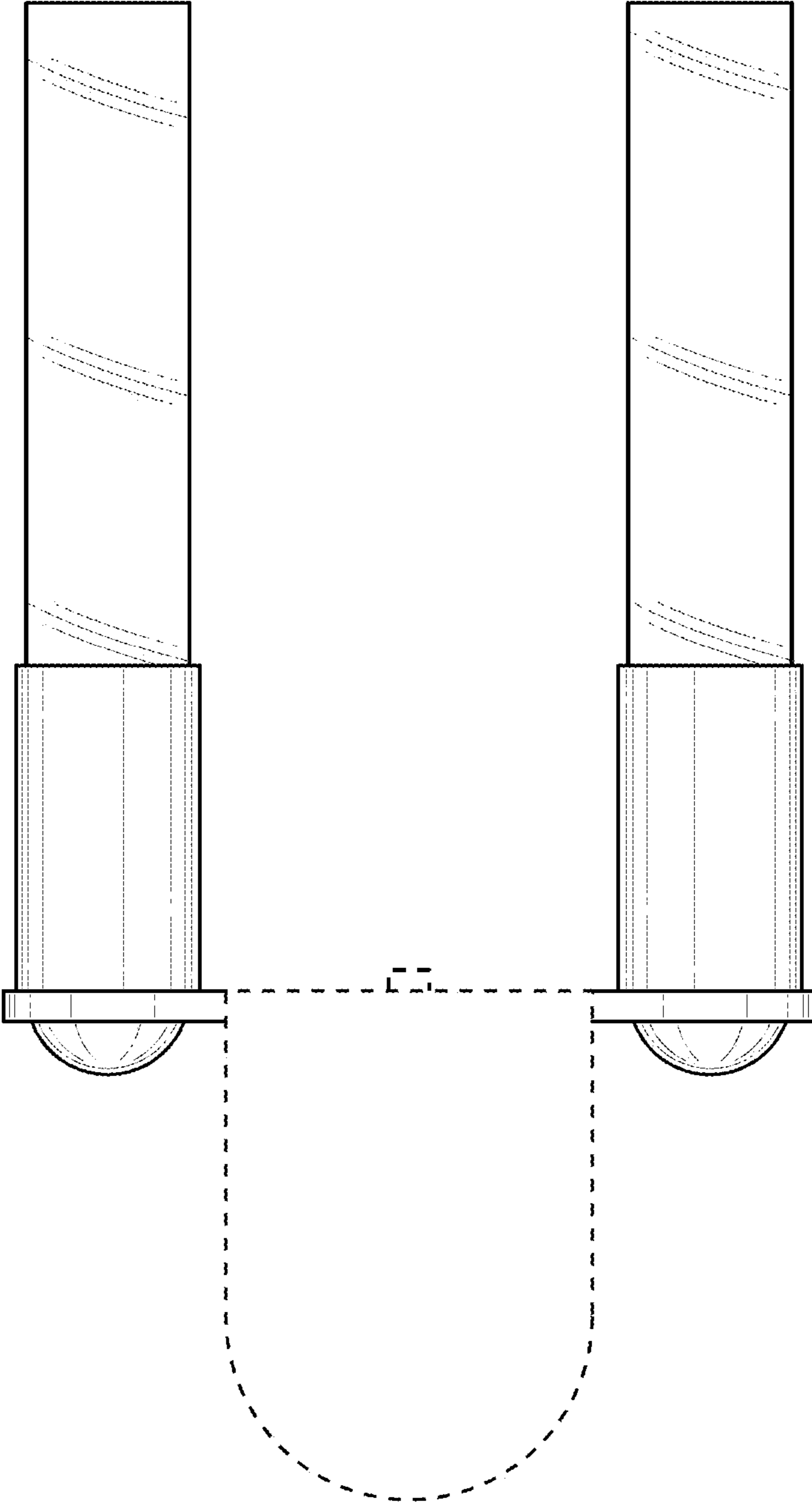


FIG. 6

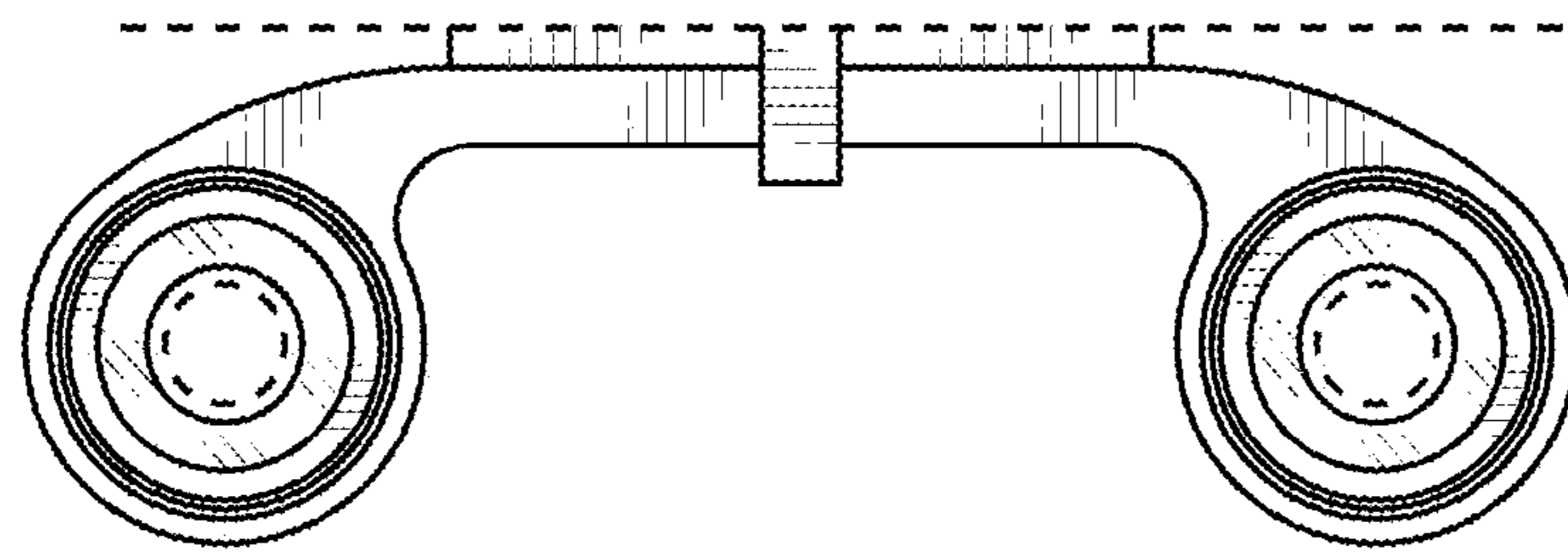


FIG. 7

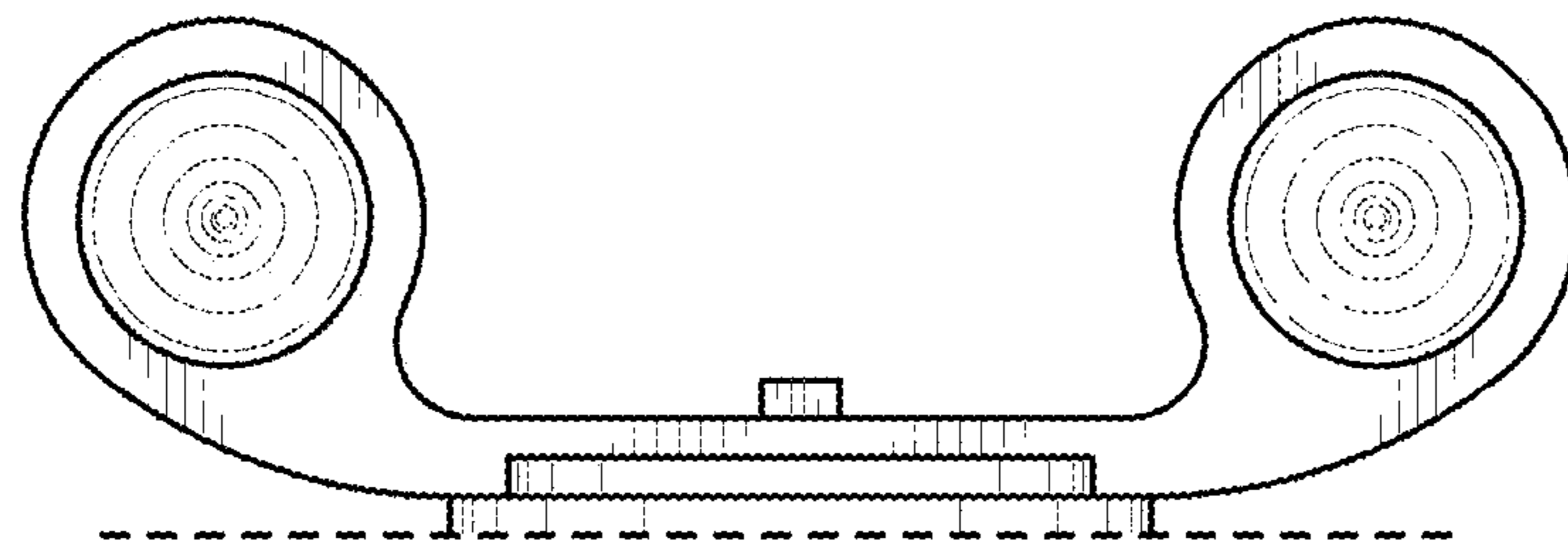


FIG. 8