



US00D893081S

(12) **United States Design Patent**  
**Hui**

(10) **Patent No.:** **US D893,081 S**

(45) **Date of Patent:** **\*\* Aug. 11, 2020**

(54) **SOLAR LAMP**

(71) Applicant: **SHENZHEN QIANHAI PATUOXUN NETWORK AND TECHNOLOGY CO., LTD**, Shenzhen (CN)

(72) Inventor: **Li Hui**, Shenzhen (CN)

(73) Assignee: **SHENZHEN QIANHAI PATUOXUN NETWORK AND TECHNOLOGY CO., LTD**, Shenzhen (CN)

(\*\*) Term: **15 Years**

(21) Appl. No.: **29/732,157**

(22) Filed: **Apr. 22, 2020**

(51) **LOC (12) Cl.** ..... **26-03**

(52) **U.S. Cl.**  
USPC ..... **D26/85**

(58) **Field of Classification Search**  
USPC ..... D26/72, 85, 92; D10/106.6, 106.8  
CPC .... F21S 8/03; F21S 8/033; F21S 8/036; F21S 8/037; F21S 9/022; F21S 9/024; F21S 9/03; F21S 9/035; F21S 9/037; F21W 2131/107; G08B 13/193  
See application file for complete search history.

(56) **References Cited**

**U.S. PATENT DOCUMENTS**

|                |         |           |       |                       |
|----------------|---------|-----------|-------|-----------------------|
| D236,647 S *   | 9/1975  | Stewart   | ..... | D26/85                |
| D279,871 S *   | 7/1985  | Guscott   | ..... | D10/106.6             |
| D626,680 S *   | 11/2010 | Verelst   | ..... | D26/85                |
| D688,406 S *   | 8/2013  | Goldy     | ..... | D26/85                |
| D715,477 S *   | 10/2014 | Yu        | ..... | D26/85                |
| 8,939,598 B1 * | 1/2015  | Schmuckle | ..... | F21V 21/08<br>362/147 |
| D764,696 S *   | 8/2016  | Compton   | ..... | D26/85                |
| D764,697 S *   | 8/2016  | Compton   | ..... | D26/85                |

|                   |         |          |       |                      |
|-------------------|---------|----------|-------|----------------------|
| D800,941 S *      | 10/2017 | Shundong | ..... | D26/72               |
| D811,644 S        | 2/2018  | Hou      | ..... |                      |
| D836,236 S *      | 12/2018 | Deng     | ..... | D26/85               |
| D846,177 S *      | 4/2019  | Wen      | ..... | D26/85               |
| D848,043 S        | 5/2019  | Zhuo     | ..... |                      |
| D885,636 S *      | 5/2020  | Chen     | ..... | D26/85               |
| 2013/0208463 A1 * | 8/2013  | Hopper   | ..... | F24F 7/02<br>362/225 |

**OTHER PUBLICATIONS**

Designers Edge Solar Light model #38NH74 from grainger.com, visited Jun. 29, 2020. (Year: 2020).\*

\* cited by examiner

*Primary Examiner* — Clare E Heflin

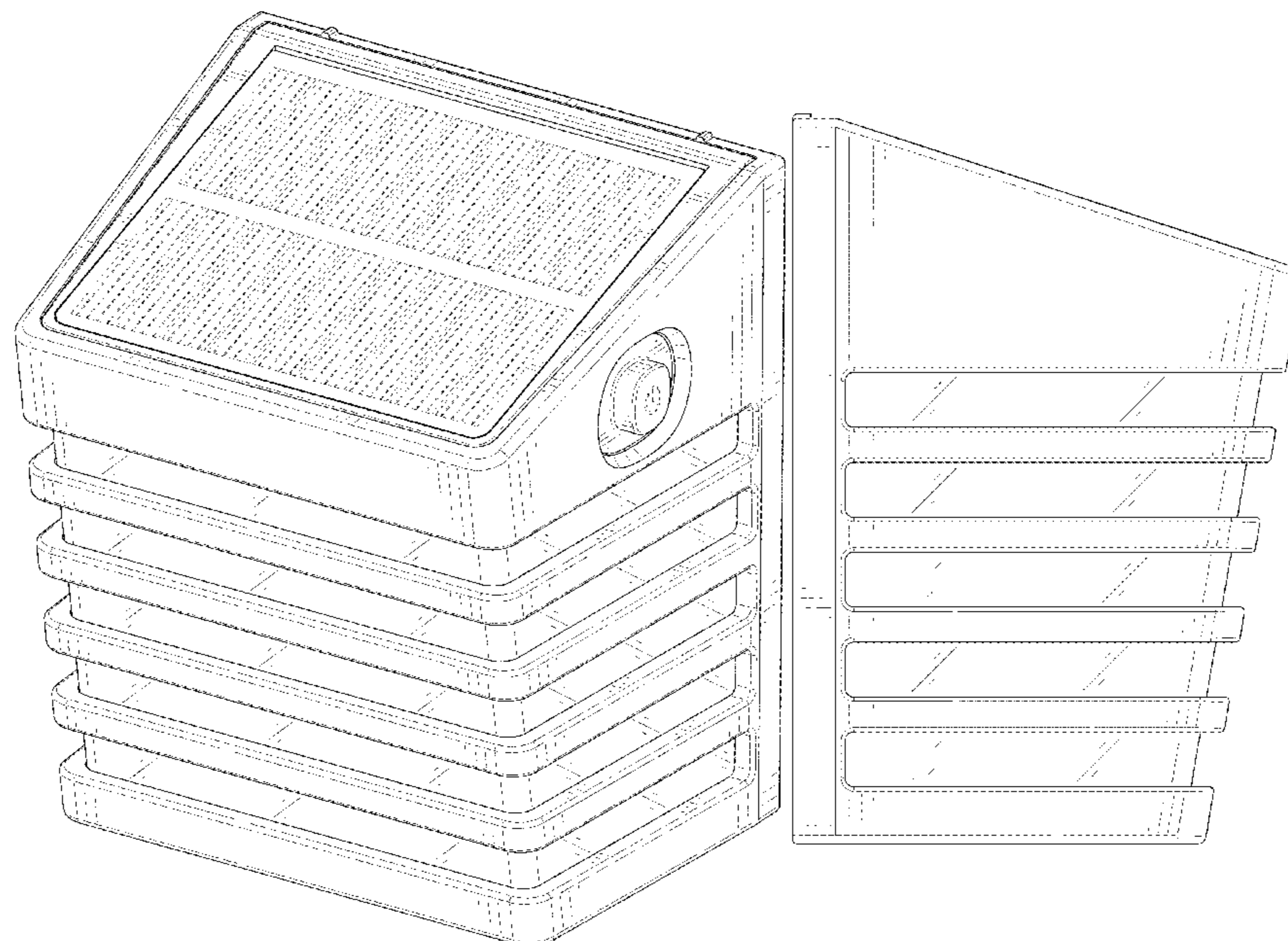
(57) **CLAIM**

The ornamental design for a solar lamp, as shown and described.

**DESCRIPTION**

FIG. 1 is a perspective view of a solar lamp showing my new design;  
FIG. 2 is another perspective view thereof;  
FIG. 3 is a front elevational view thereof;  
FIG. 4 is a rear elevational view thereof;  
FIG. 5 is a left side elevational view thereof;  
FIG. 6 is a right side elevational view thereof;  
FIG. 7 is a top plan view thereof; and,  
FIG. 8 is a bottom plan view thereof.  
The broken lines in the drawings depict portions of the solar lamp that form no part of the claimed design.

**1 Claim, 8 Drawing Sheets**





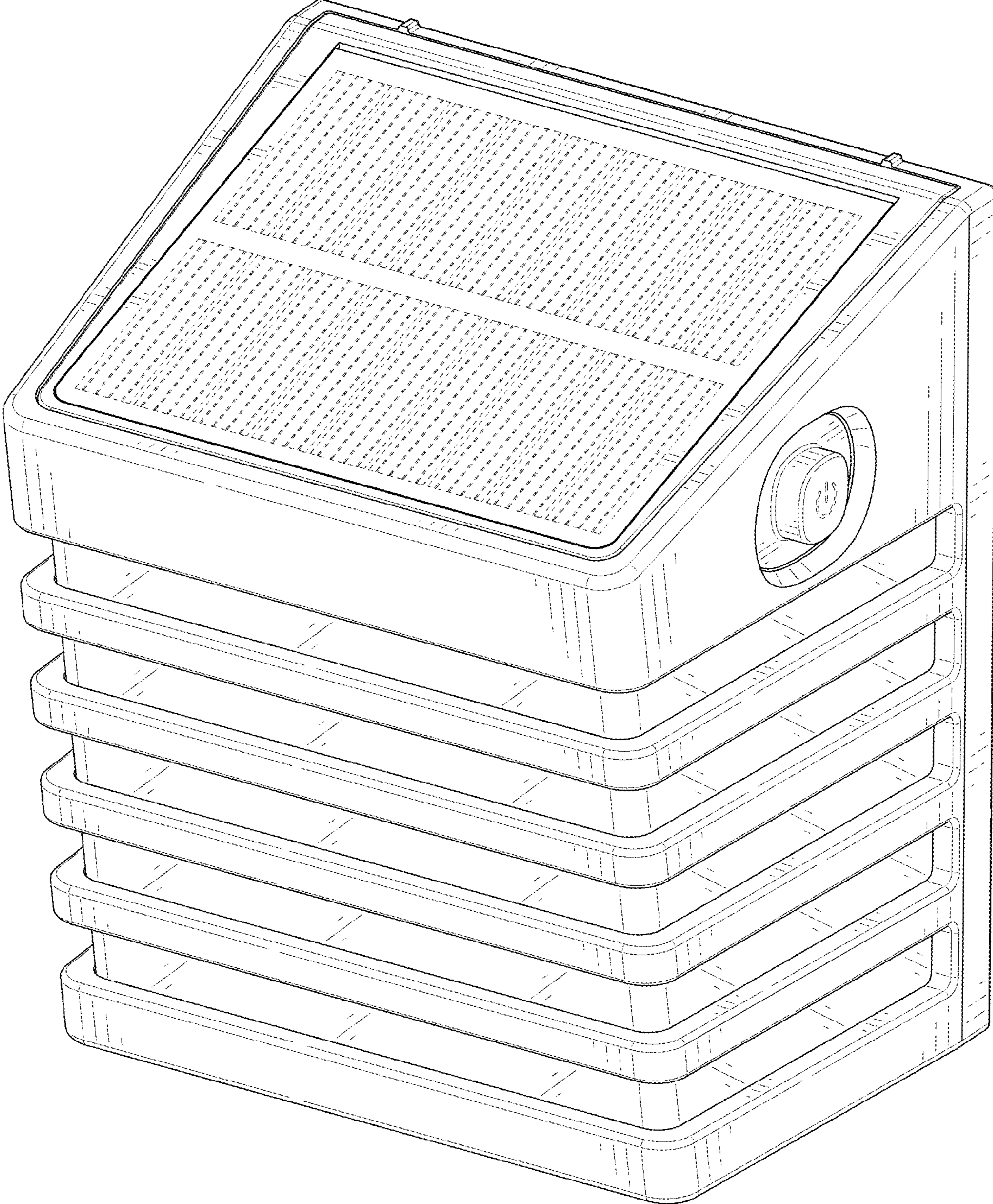


FIG. 1

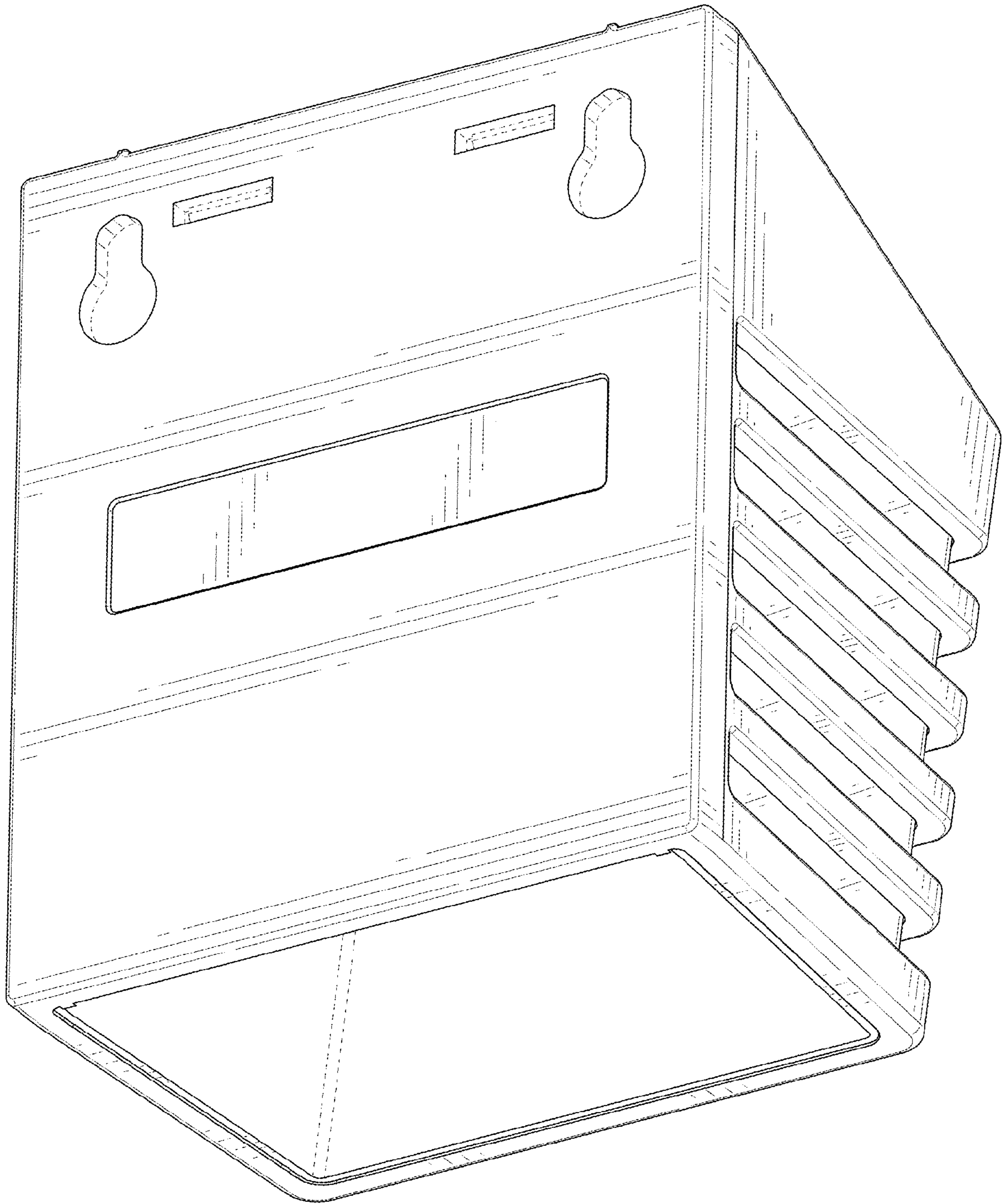


FIG. 2



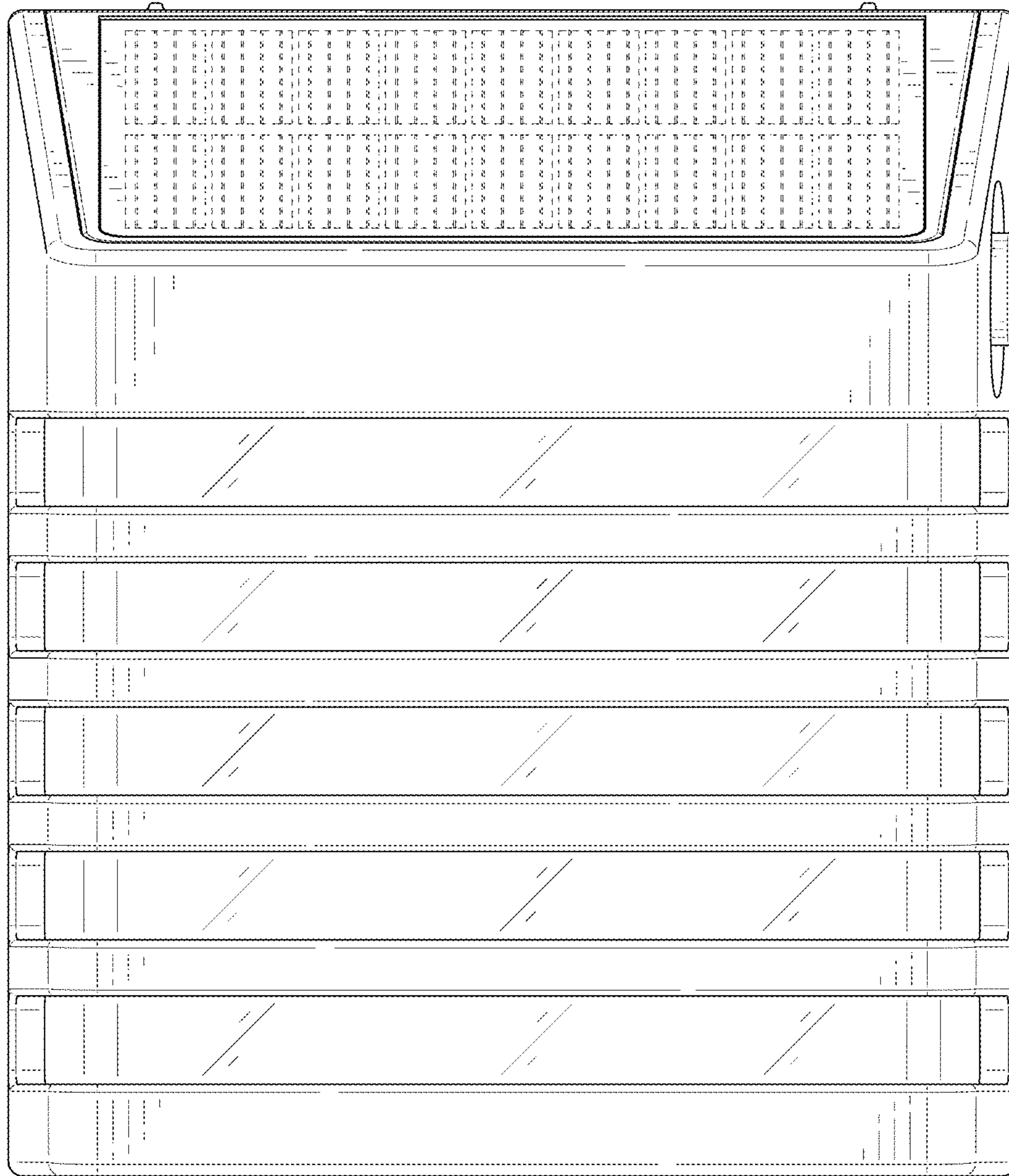


FIG. 3

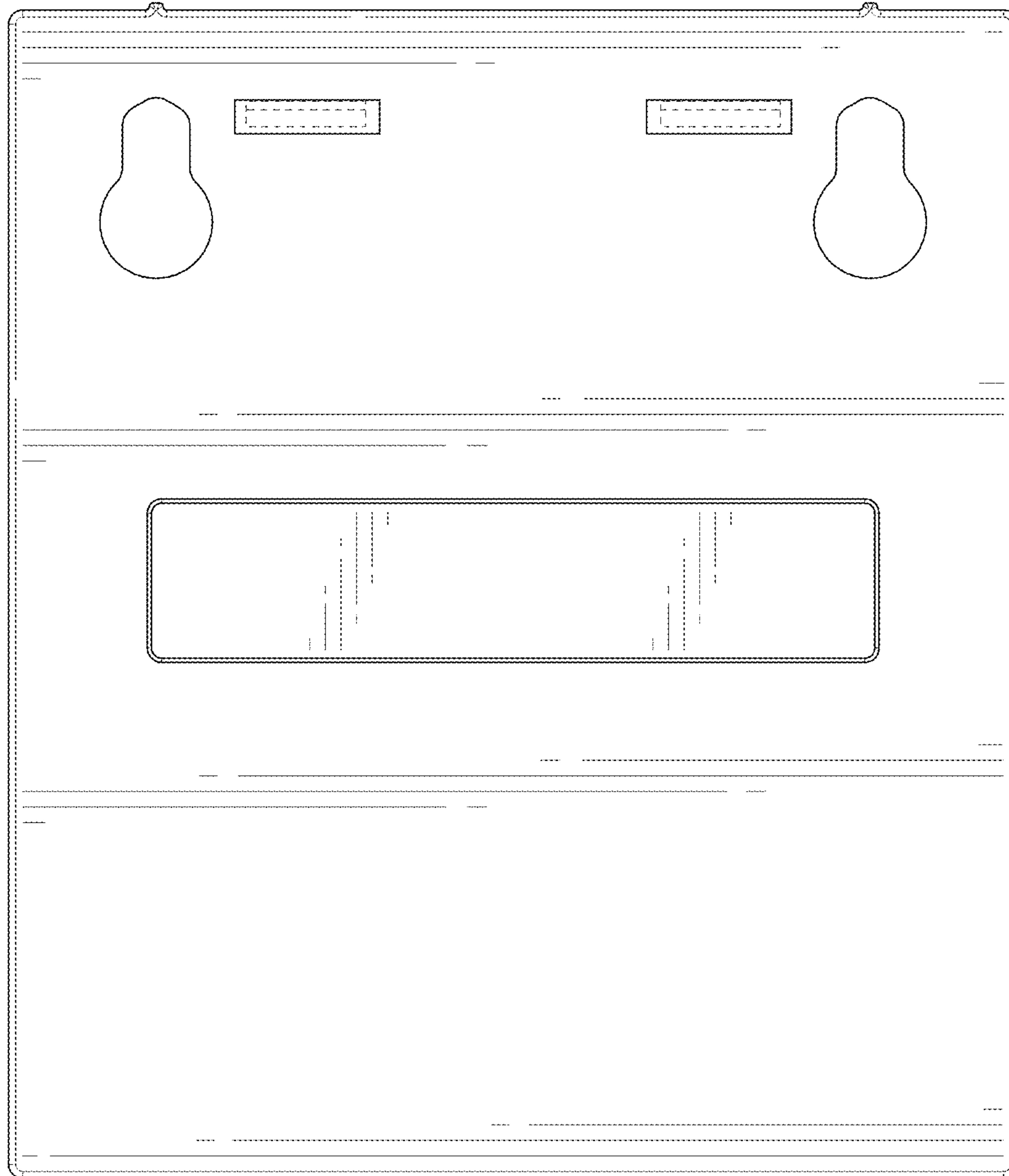


FIG. 4

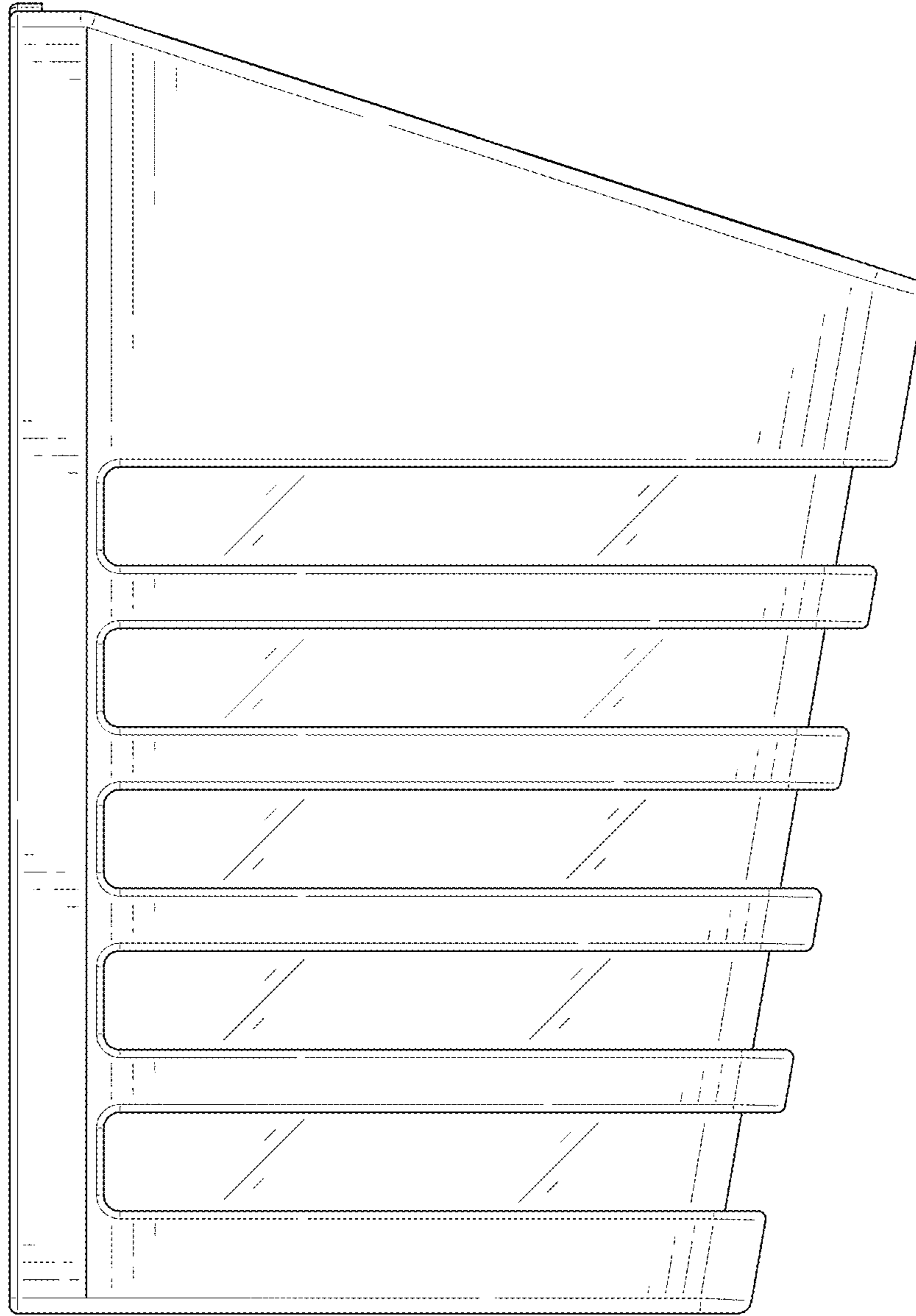


FIG. 5

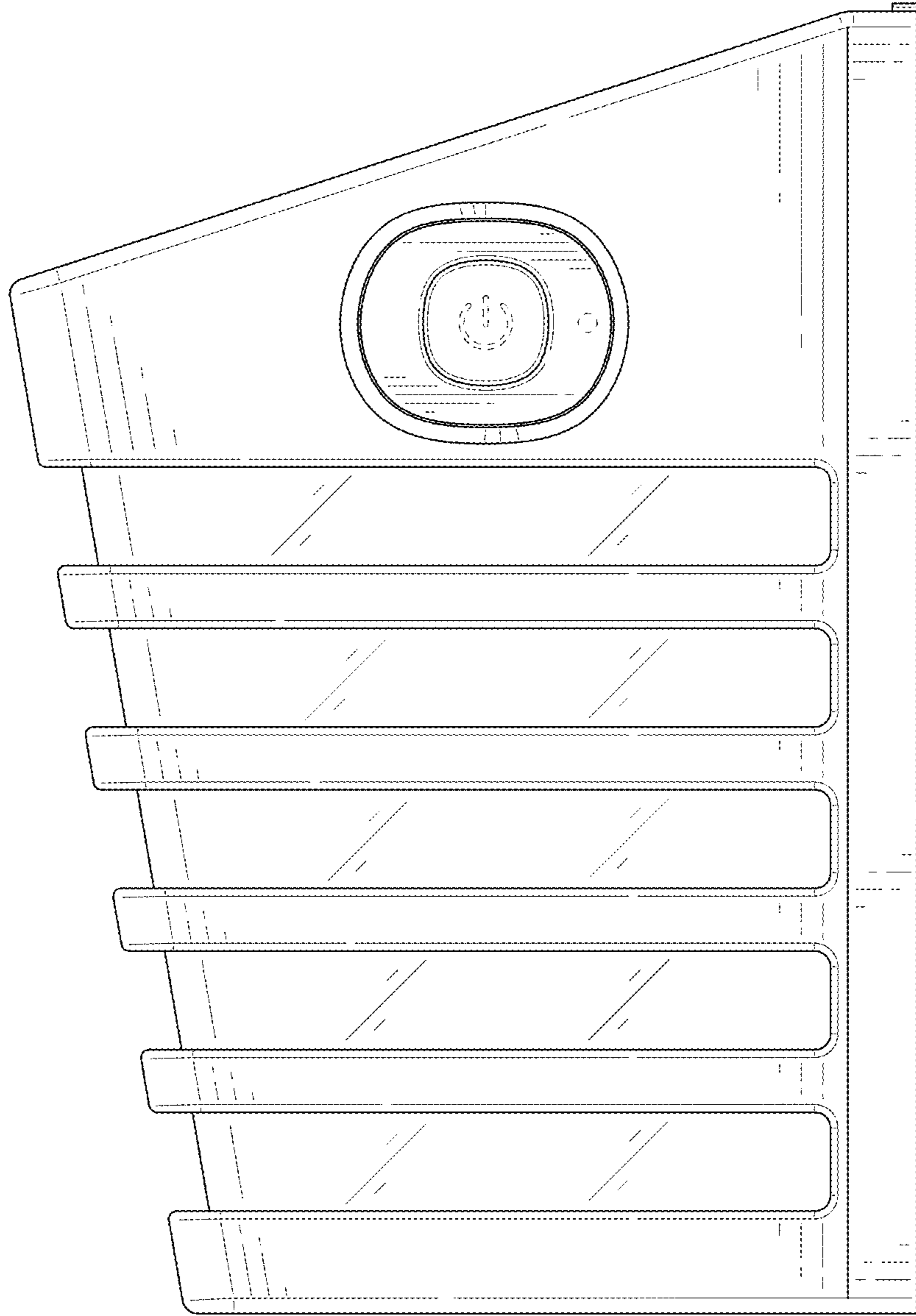


FIG. 6

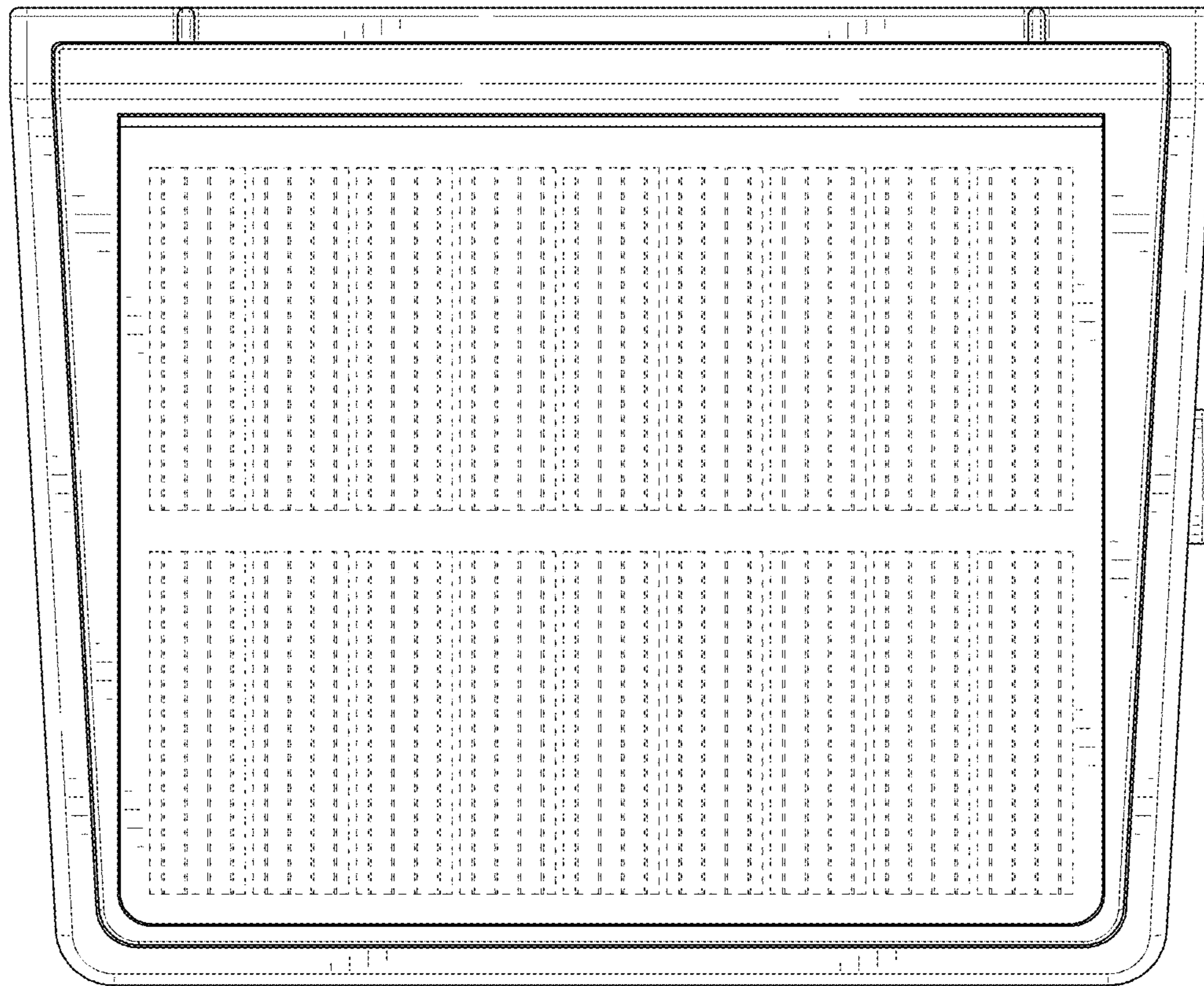


FIG. 7



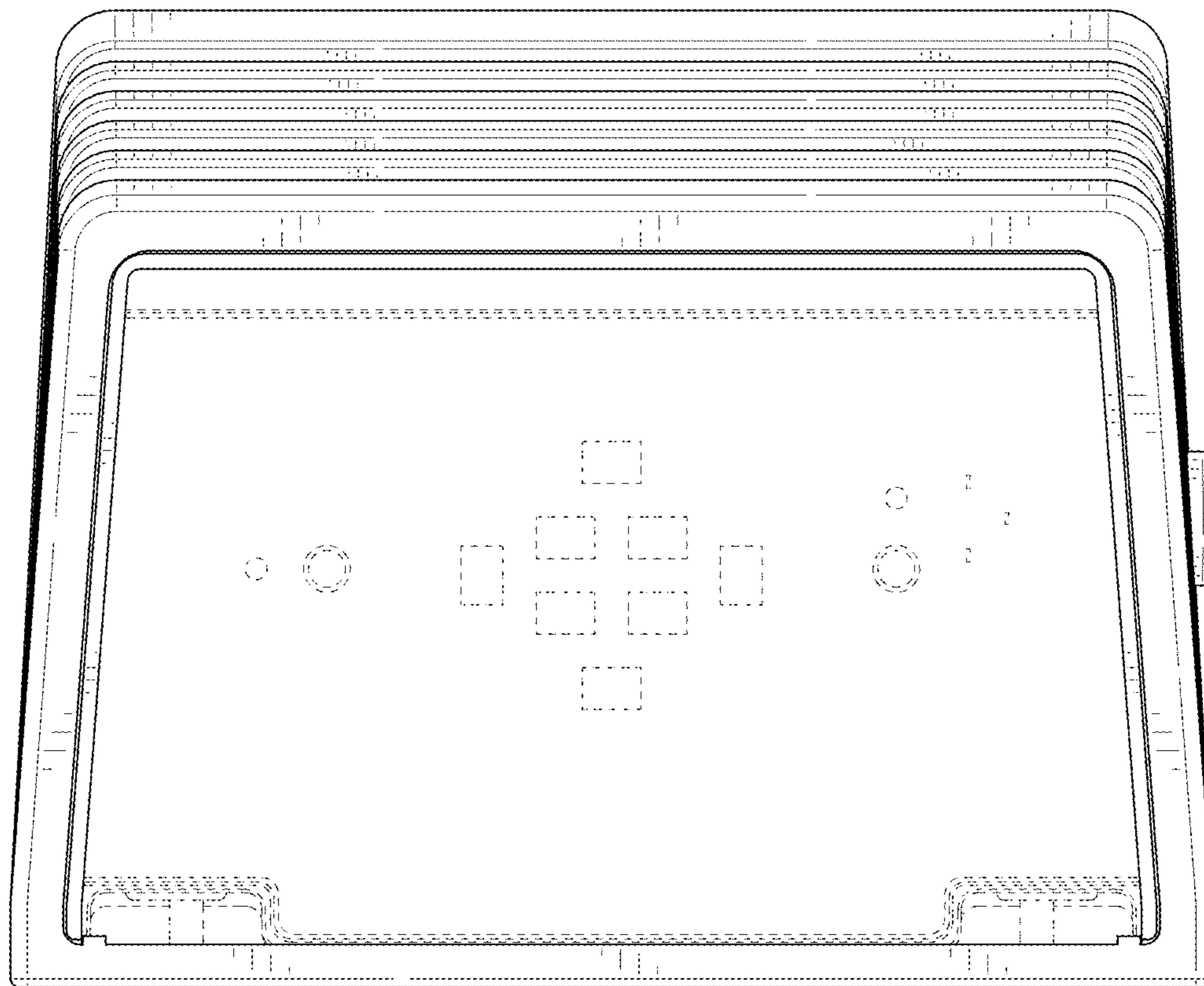


FIG. 8