



US00D893080S

(12) **United States Design Patent**
Zhang

(10) **Patent No.:** **US D893,080 S**

(45) **Date of Patent:** **** Aug. 11, 2020**

(54) **SOLAR LED LIGHT**

(71) Applicant: **Hubei Baisili Trading Co., Ltd.**,
Badong (CN)

(72) Inventor: **Xinqun Zhang**, Badong (CN)

(**) Term: **15 Years**

(21) Appl. No.: **29/689,015**

(22) Filed: **Apr. 26, 2019**

(51) **LOC (12) Cl.** **26-05**

(52) **U.S. Cl.**
USPC **D26/85**

(58) **Field of Classification Search**
USPC D10/106.6, 106.8; D26/51, 60, 72, 78,
D26/80, 81, 82, 85, 86, 88
CPC F21S 8/03; F21S 8/003; F21S 8/036; F21S
8/037; F21S 9/022; F21S 9/024; F21S
9/03; F21S 9/037; F21S 13/02; F21S
13/10; F21S 13/14; F21W 2131/107;
G08B 13/193
See application file for complete search history.

(56) **References Cited**

U.S. PATENT DOCUMENTS

| | | | | |
|--------------|---------|-------|-------|--------|
| D805,236 S * | 12/2017 | Exley | | D26/85 |
| D816,259 S * | 4/2018 | Liu | | D26/85 |
| D841,218 S * | 2/2019 | Liu | | D26/85 |
| D841,864 S * | 2/2019 | Liu | | D26/85 |
| D841,865 S * | 2/2019 | Deng | | D26/85 |

| | | | | |
|--------------|---------|---------|-------|--------|
| D848,049 S * | 5/2019 | Hu | | D26/85 |
| D849,988 S * | 5/2019 | Li | | D26/85 |
| D866,043 S * | 11/2019 | Hu | | D26/85 |
| D875,991 S * | 2/2020 | Wan | | D26/85 |
| D875,992 S * | 2/2020 | Khubani | | D26/85 |
| D879,352 S * | 3/2020 | Liu | | D26/85 |
| D882,147 S * | 4/2020 | He | | D26/85 |
| D882,148 S * | 4/2020 | He | | D26/85 |

* cited by examiner

Primary Examiner — Kevin K Rudzinski

Assistant Examiner — Richard Kearney

(74) *Attorney, Agent, or Firm* — ZANIP

(57) **CLAIM**

The ornamental design for a solar LED light, as shown and described.

DESCRIPTION

FIG. 1 is a first perspective view of a solar LED light showing my design;

FIG. 2 is a second perspective view thereof;

FIG. 3 is a front view thereof;

FIG. 4 is a back view thereof;

FIG. 5 is a left side view thereof;

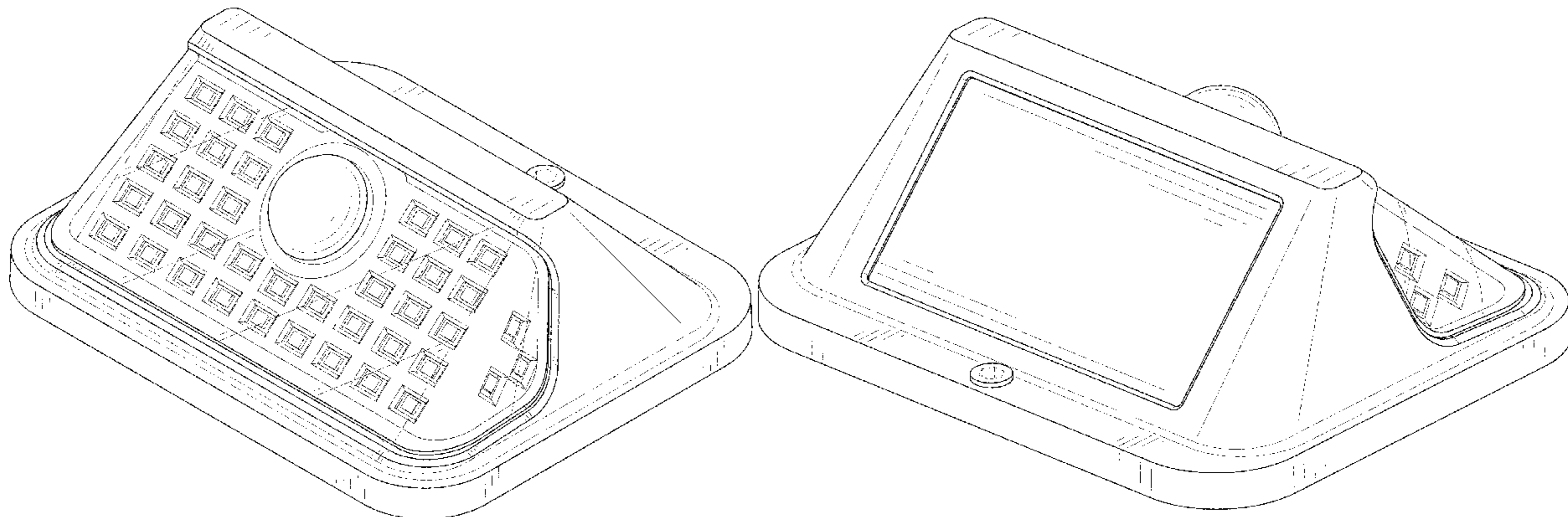
FIG. 6 is a right side view thereof;

FIG. 7 is a top view thereof; and,

FIG. 8 is a bottom view thereof.

The broken lines shown in the drawings depict portions of the solar LED light in which the design is embodied that form no part of the claimed design.

1 Claim, 8 Drawing Sheets



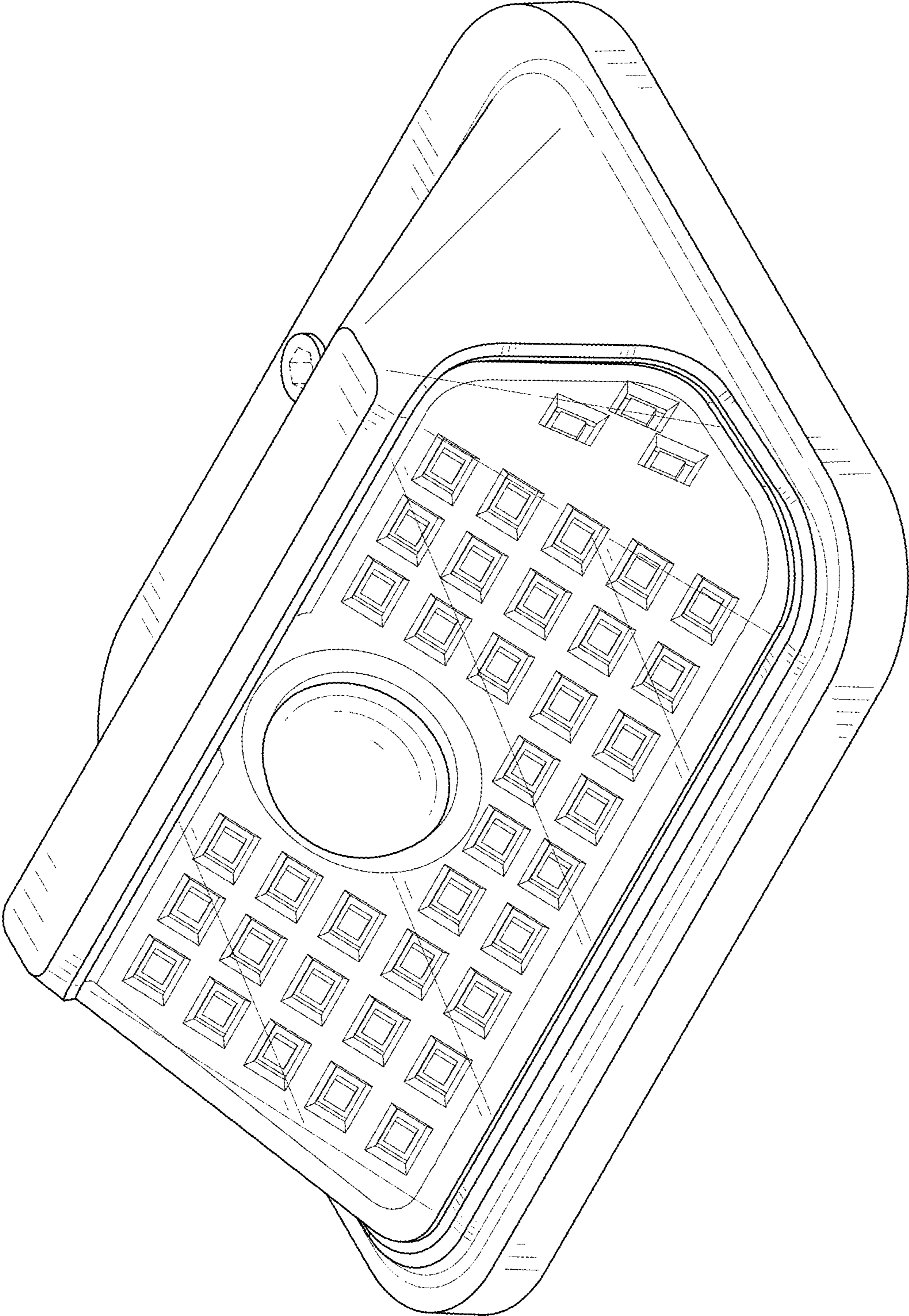


FIG. 1

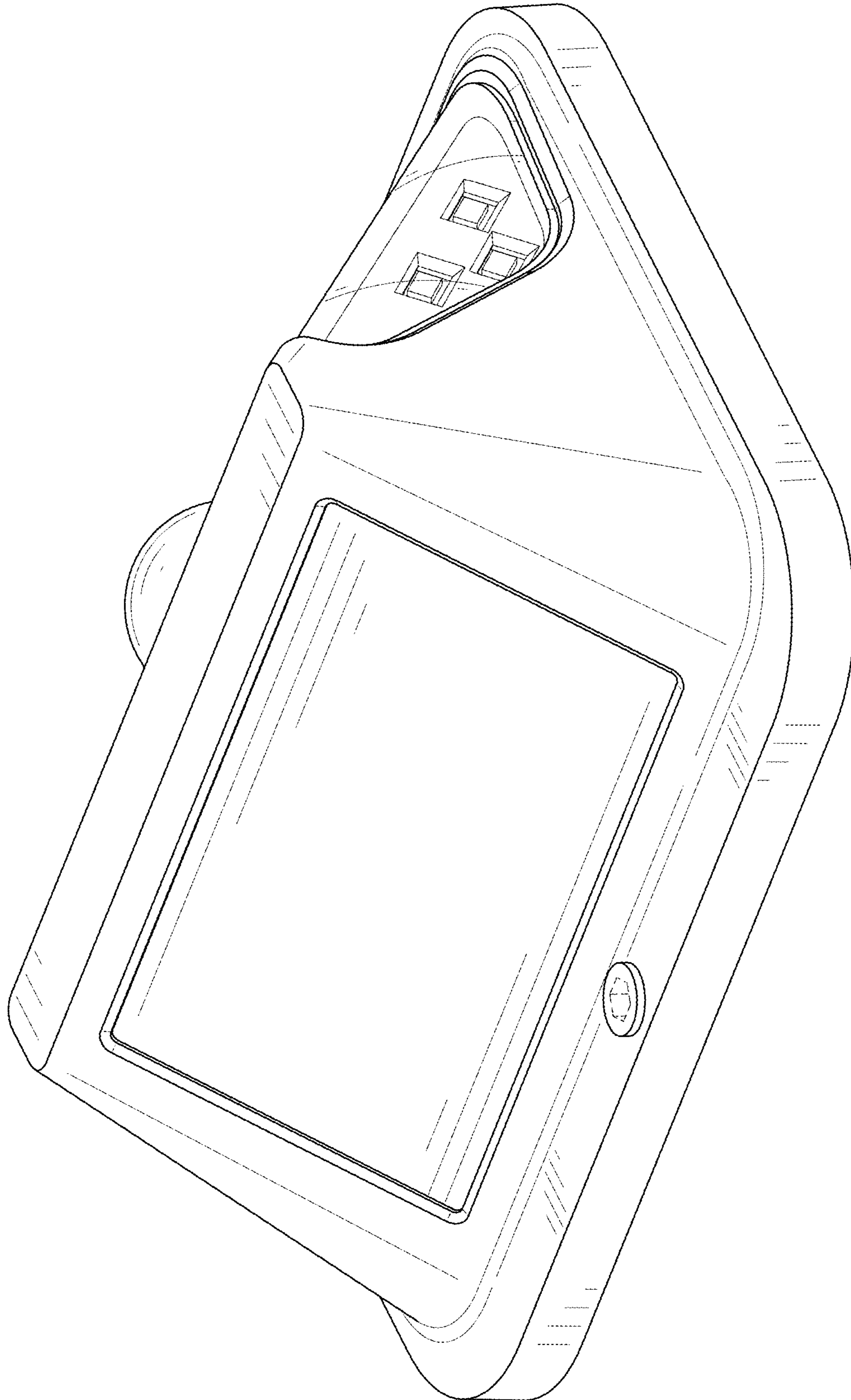


FIG. 2

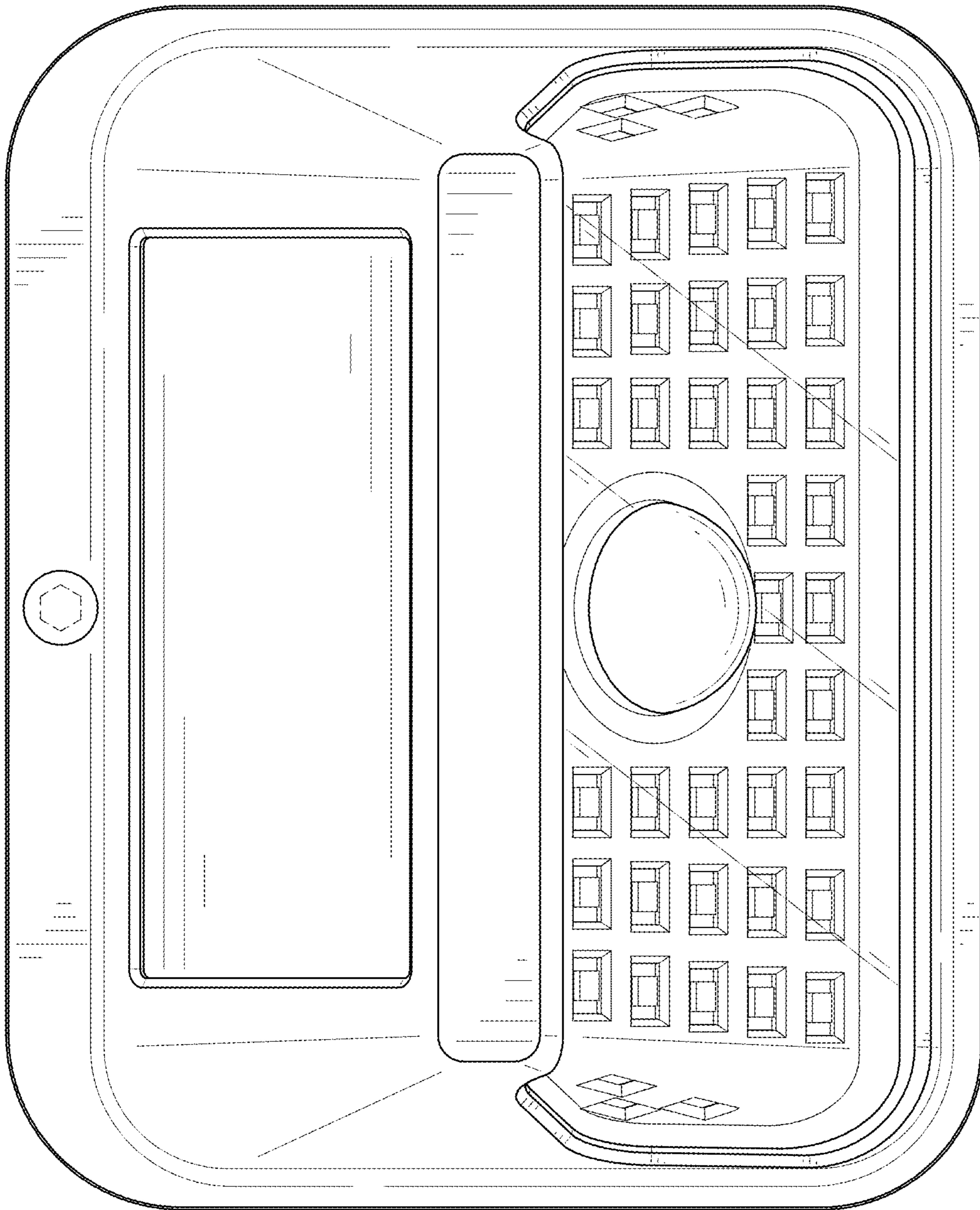


FIG. 3

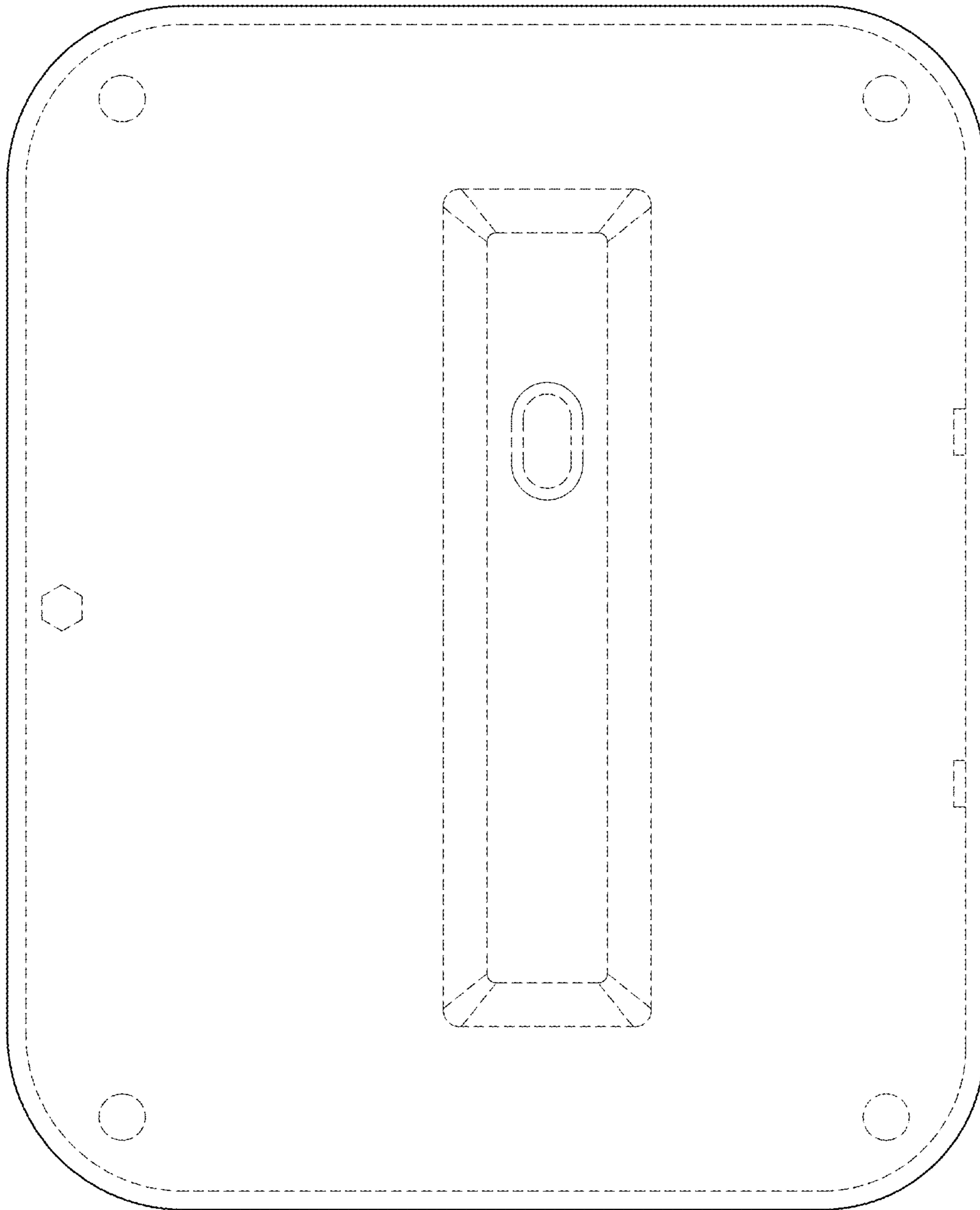


FIG. 4

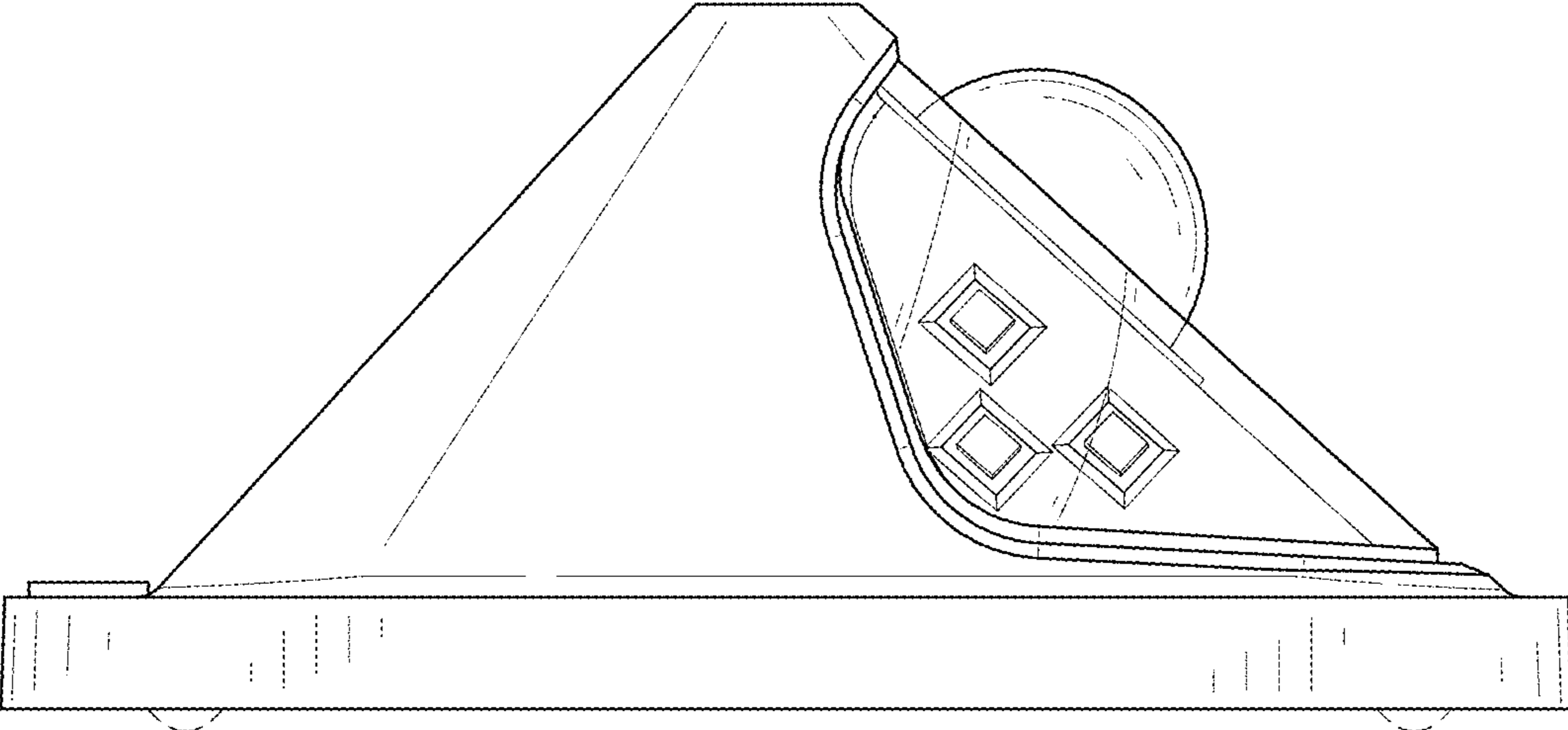


FIG. 5

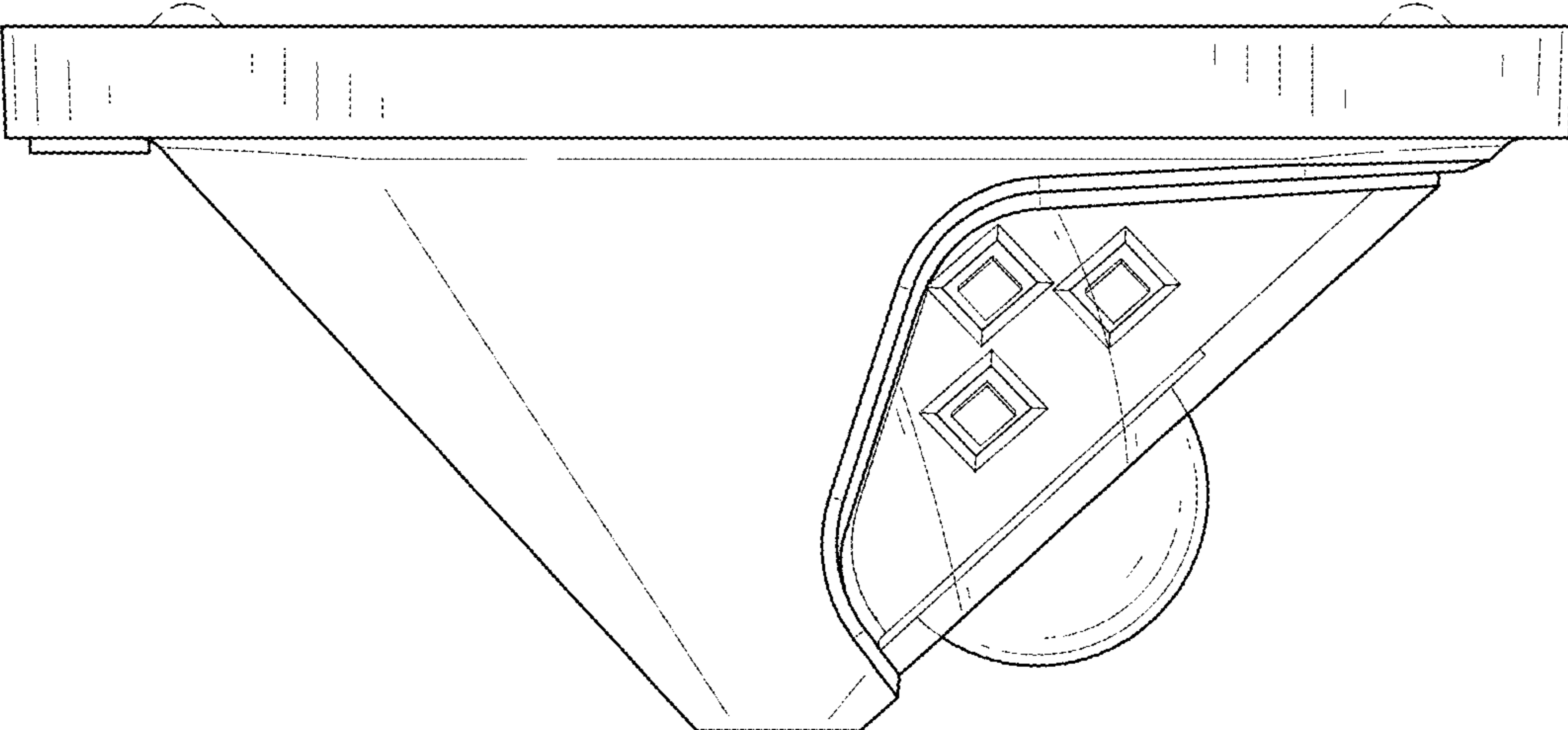


FIG. 6

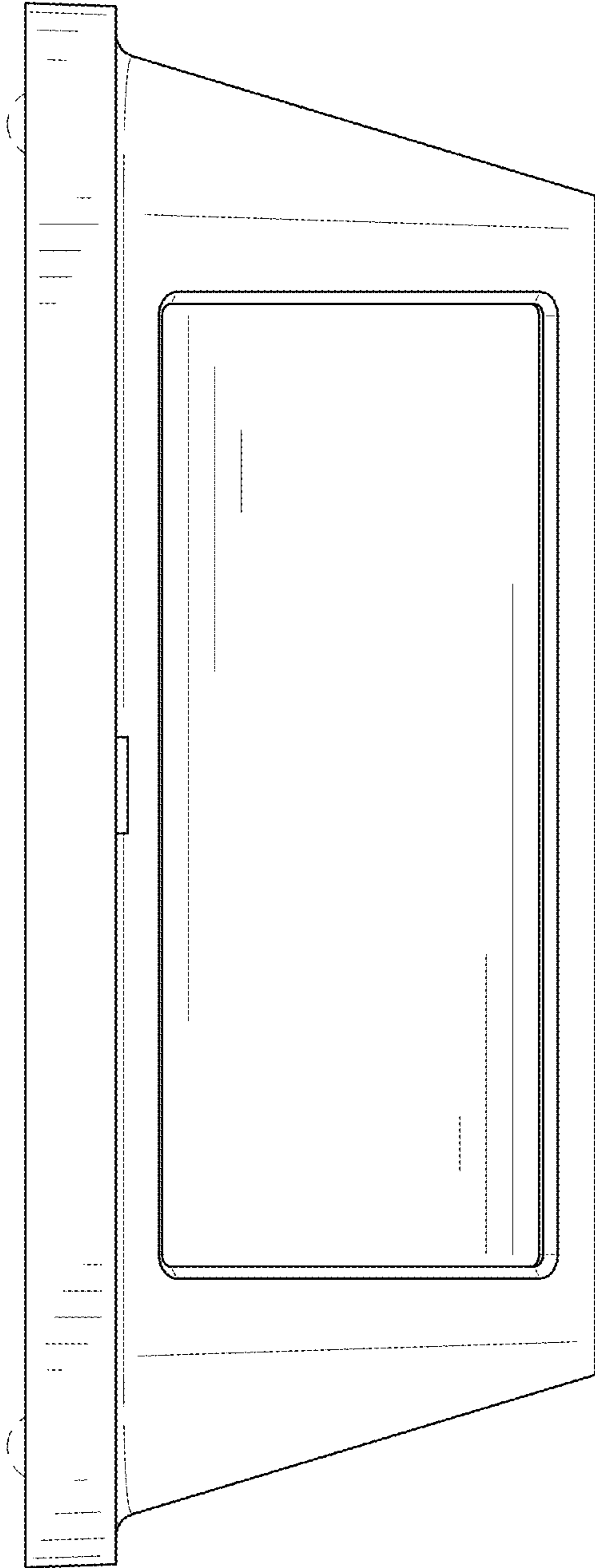


FIG. 7

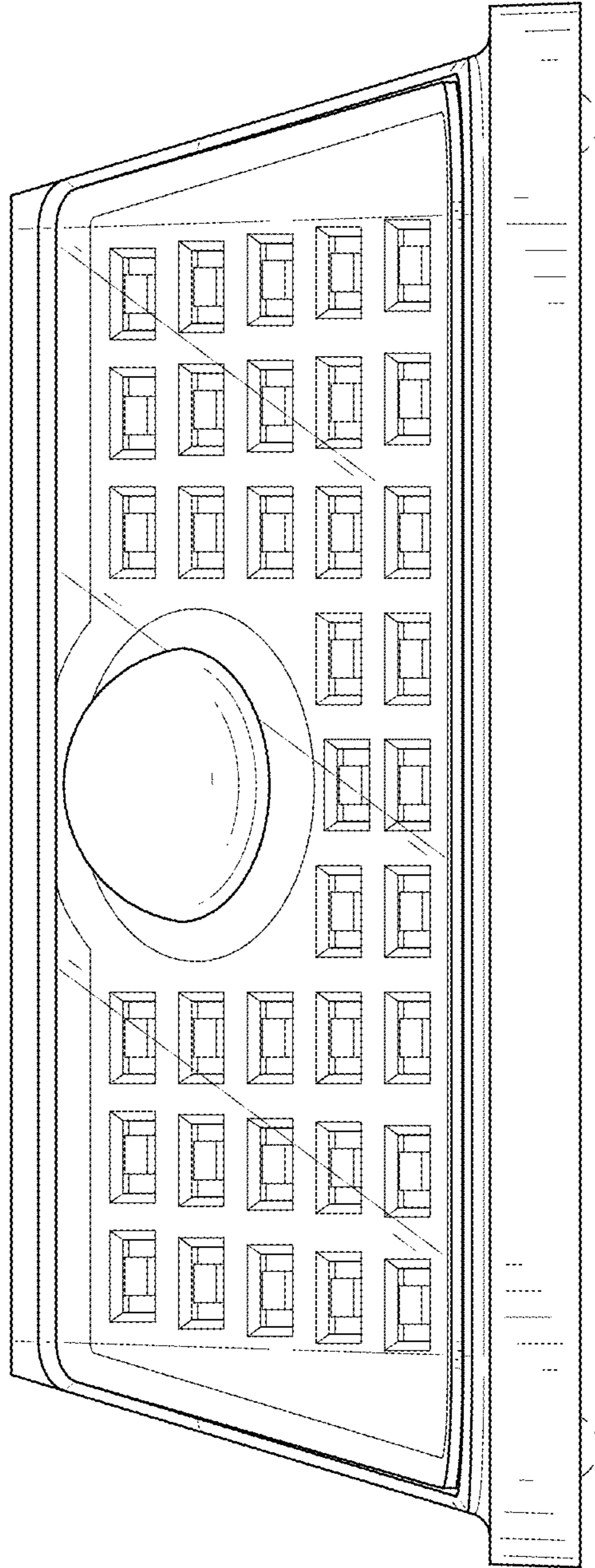


FIG. 8