



US00D893077S

(12) **United States Design Patent** (10) **Patent No.:** **US D893,077 S**
Liu (45) **Date of Patent:** **** Aug. 11, 2020**

(54) **LED PANEL GROW LIGHT**

(71) Applicant: **Ying Liu**, Shanghai (CN)

(72) Inventor: **Ying Liu**, Shanghai (CN)

(**) Term: **15 Years**

(21) Appl. No.: **29/728,348**

(22) Filed: **Mar. 18, 2020**

(51) **LOC (12) Cl.** **26-04**

(52) **U.S. Cl.**

USPC **D26/76**

(58) **Field of Classification Search**

USPC D26/72, 74, 76, 78-83, 85, 86, 88, 90,
D26/93, 111, 113, 118, 119, 120, 121,
D26/122, 138, 139, 140, 141, 142, 152
CPC F21S 2/00; F21S 4/00; F21S 4/003; F21S
4/005; F21S 4/006; F21S 4/007; F21S
4/008; F21S 6/00; F21S 8/00; F21S
8/024; F21S 8/026; F21S 8/031; F21S
8/033; F21S 8/035-037; F21S 8/04; F21S
8/043; F21S 8/063

See application file for complete search history.

(56) **References Cited**

U.S. PATENT DOCUMENTS

D192,607 S	*	4/1962	Cooke	D26/76
D292,322 S	*	10/1987	Krol	D26/72
D330,268 S	*	10/1992	Jaksich	D26/74
D464,457 S	*	10/2002	Echito	D26/76
D493,244 S	*	7/2004	Engel	D26/76
D511,852 S	*	11/2005	Benensohn	D26/76
D608,931 S	*	1/2010	Castelli	D26/76
D626,268 S	*	10/2010	Santoro	D26/76
D645,193 S	*	9/2011	Chung	D26/75
D646,422 S	*	10/2011	Chung	D26/75

D650,509 S	*	12/2011	Wegger	D26/90
D678,586 S	*	3/2013	Mayfield, III	D26/74
D690,875 S		10/2013	McKenzie et al.		
D709,468 S		7/2014	Seo et al.		
D763,496 S	*	8/2016	Tran	D26/88
D776,665 S		1/2017	Karlsson et al.		
D780,363 S	*	2/2017	Scribante	D26/76
D819,862 S	*	6/2018	Deng	D26/76
D853,616 S	*	7/2019	Salas	D26/74
D860,501 S	*	9/2019	Heiner	D26/76
D861,948 S	*	10/2019	Xu	D26/76
D864,455 S	*	10/2019	Sullivan	D26/76
D880,755 S	*	4/2020	Zhao	D26/88

* cited by examiner

Primary Examiner — Natasha Vujcic

(74) *Attorney, Agent, or Firm* — HYIP

(57) **CLAIM**

The ornamental design for a LED panel grow light, as shown and described.

DESCRIPTION

FIG. 1 is a first perspective view of a LED panel grow light showing my new design;

FIG. 2 is a second perspective view thereof;

FIG. 3 is a front view thereof;

FIG. 4 is a back view thereof;

FIG. 5 is a left side view thereof;

FIG. 6 is a right side view thereof;

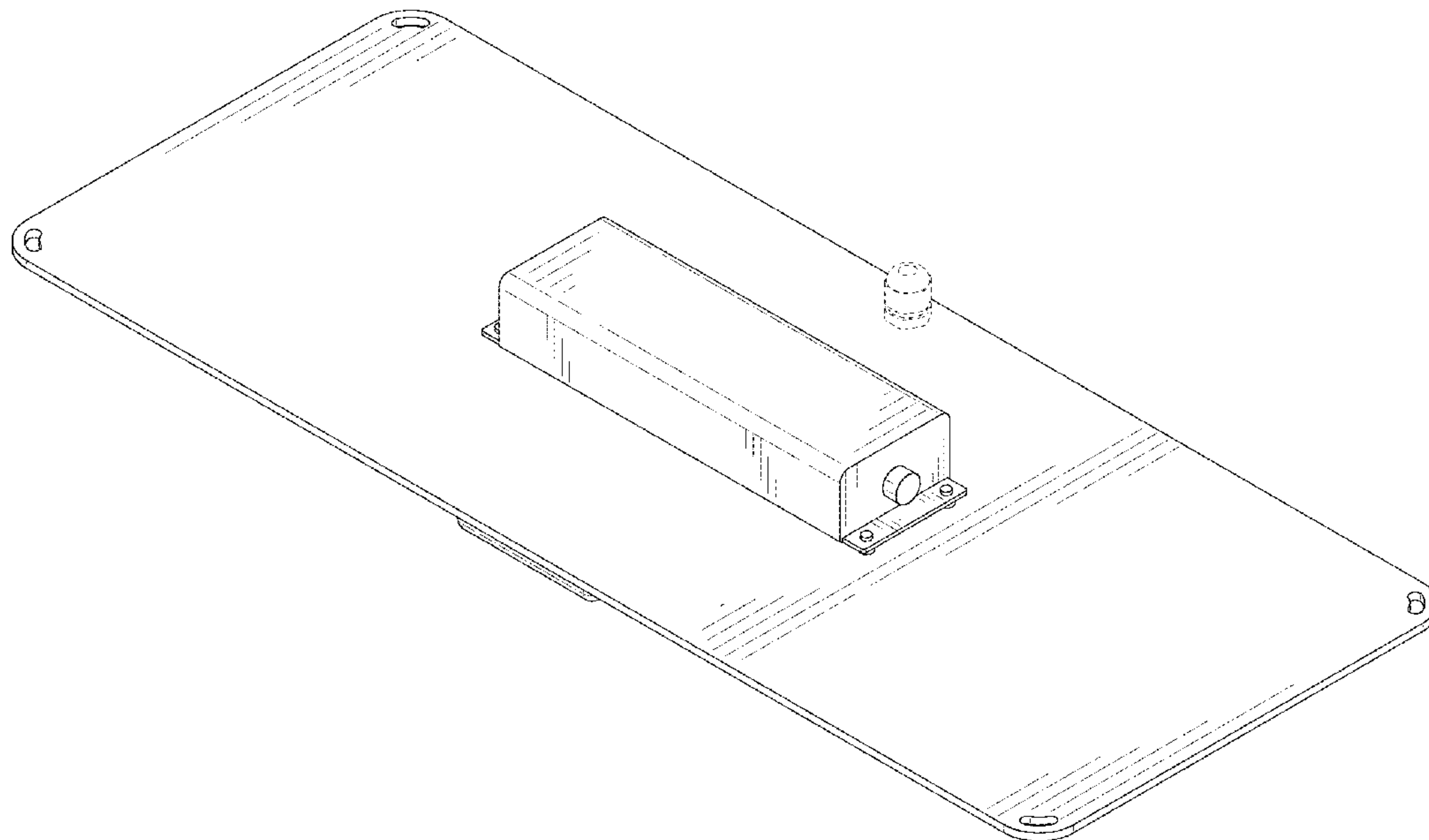
FIG. 7 is a top view thereof;

FIG. 8 is a bottom view thereof; and,

FIG. 9 is an enlarged view of the selected portion in FIG. 2.

The broken lines shown in the drawings depict portions of the LED panel grow light in which the design is embodied that form no part of the claimed design.

1 Claim, 9 Drawing Sheets



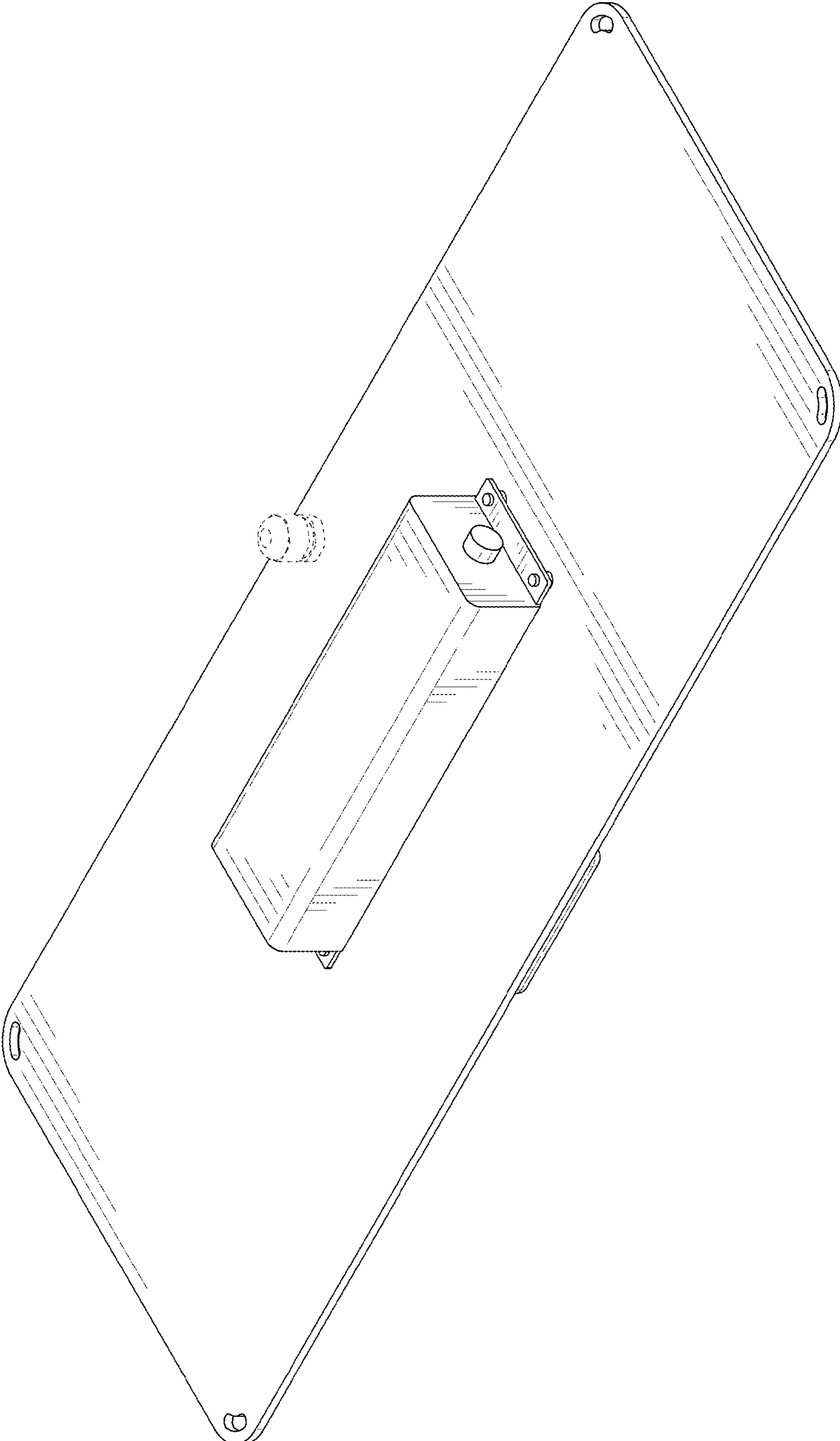


FIG. 1

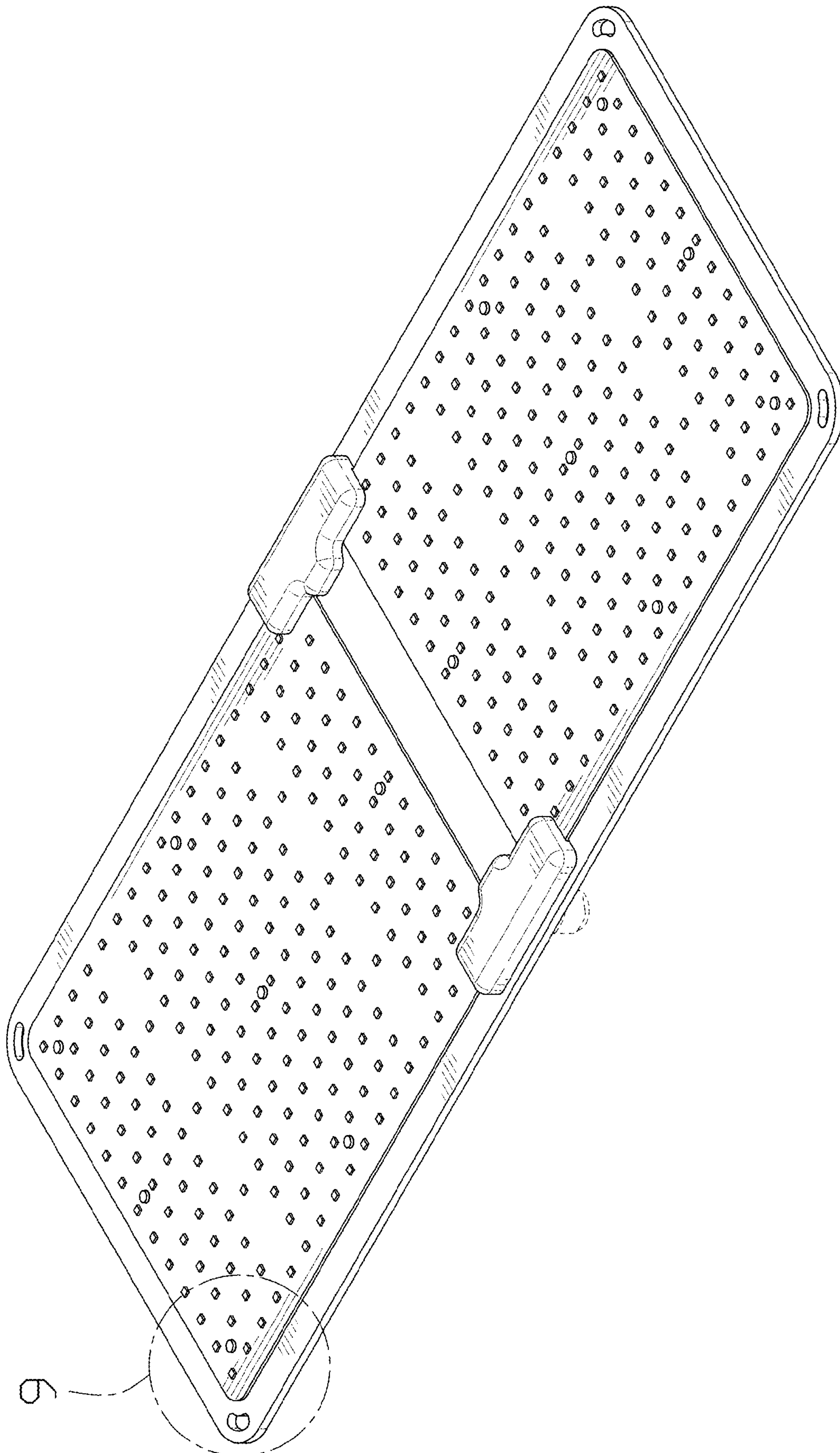


FIG. 2

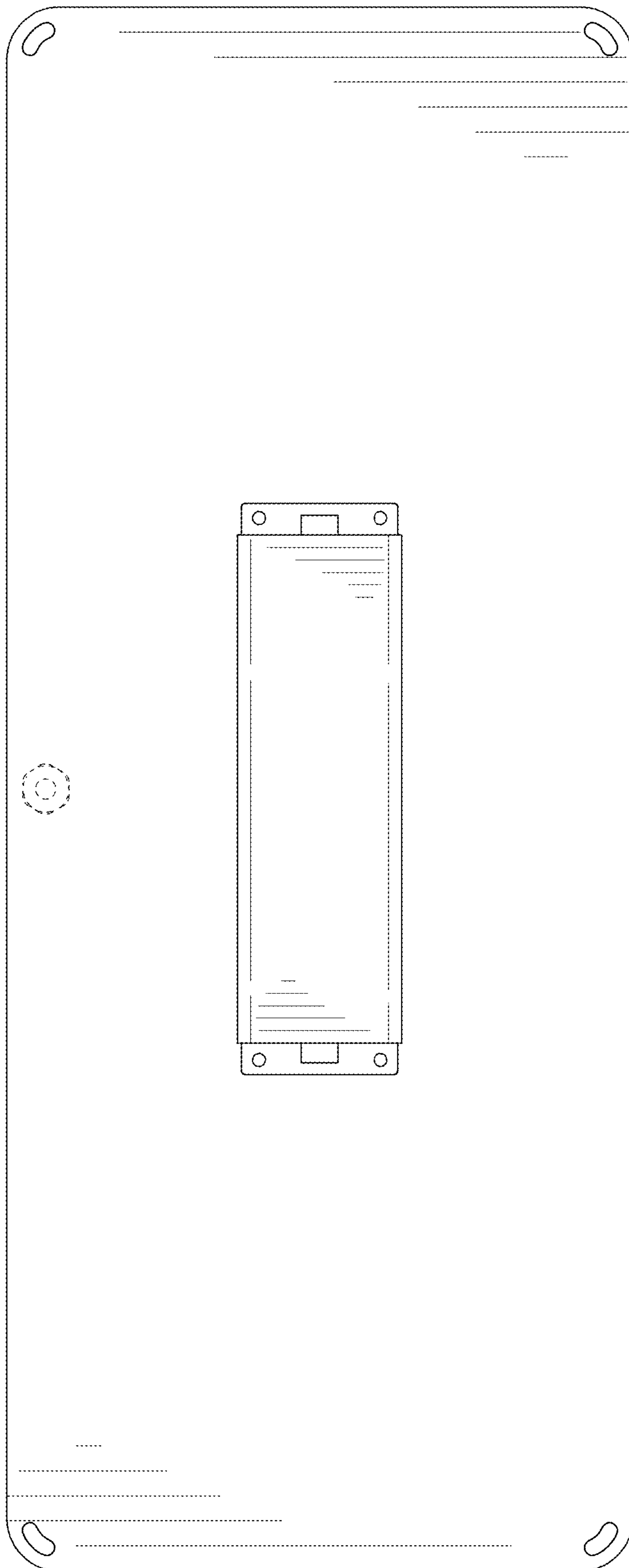


FIG. 3

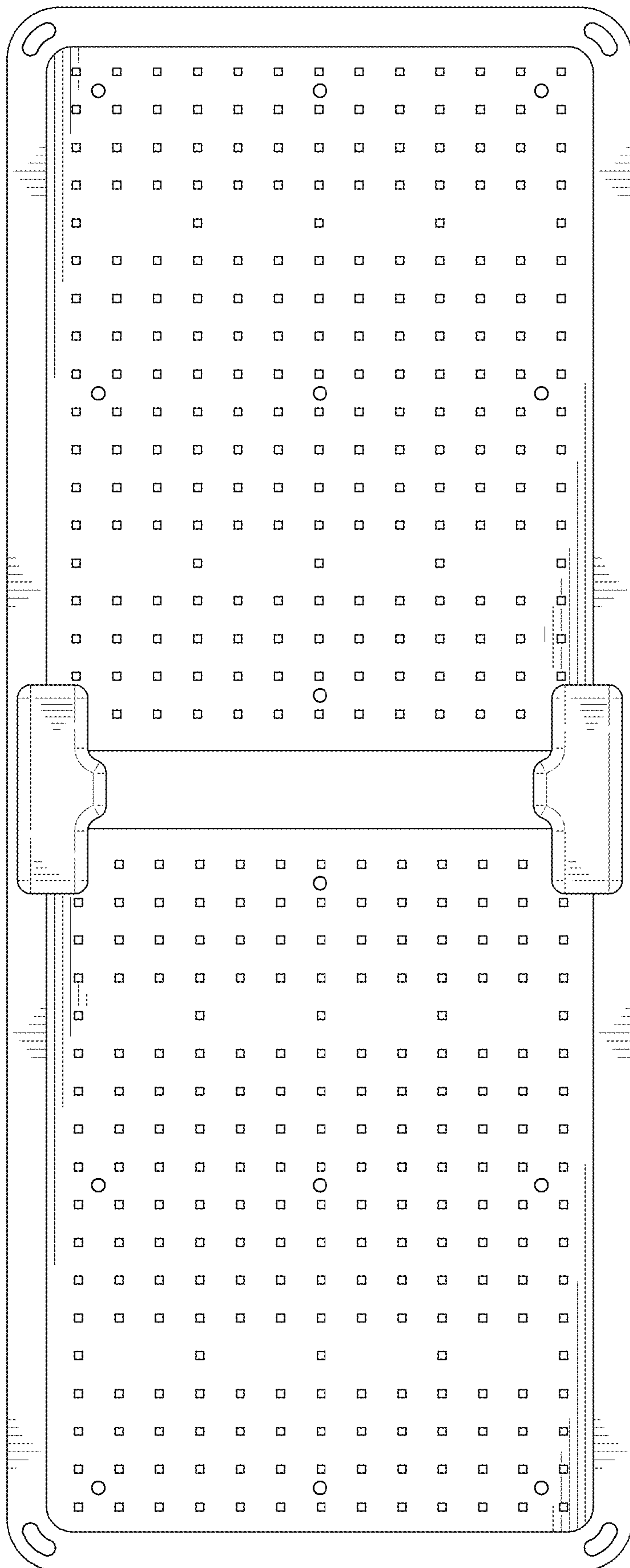


FIG. 4

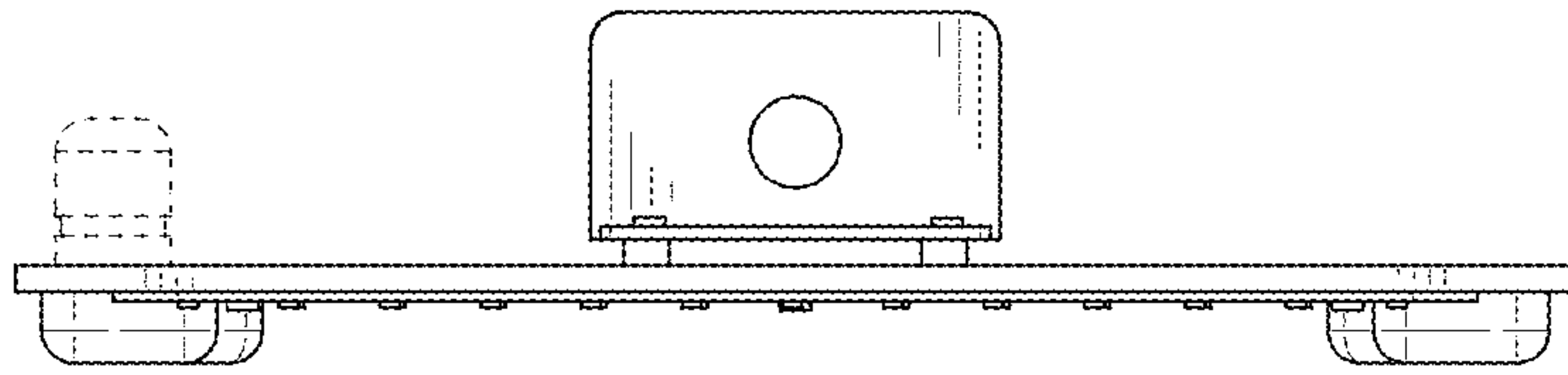


FIG. 5

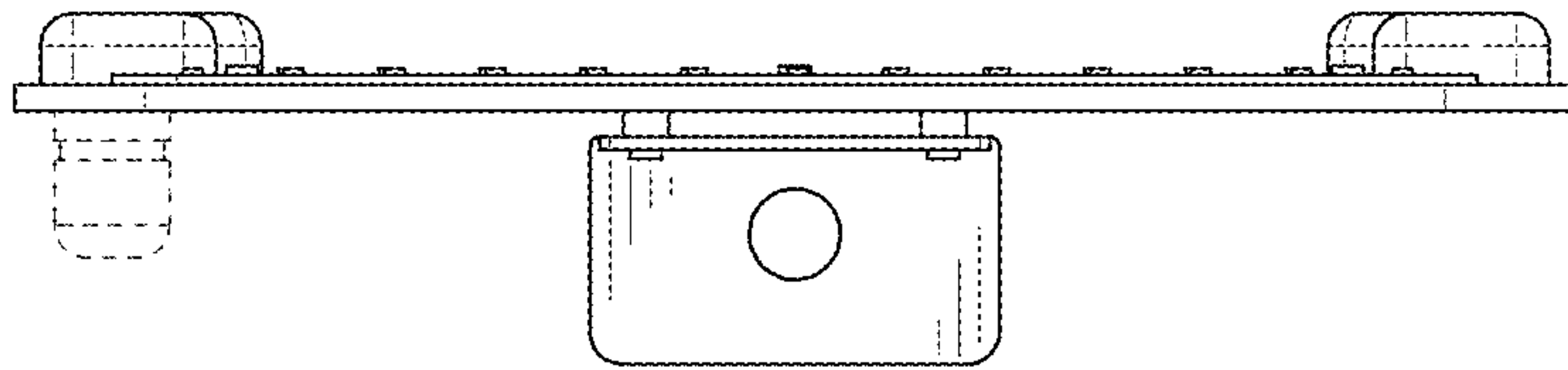


FIG. 6

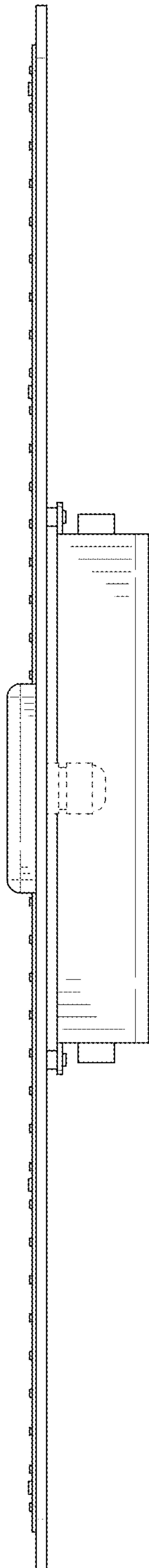


FIG. 7

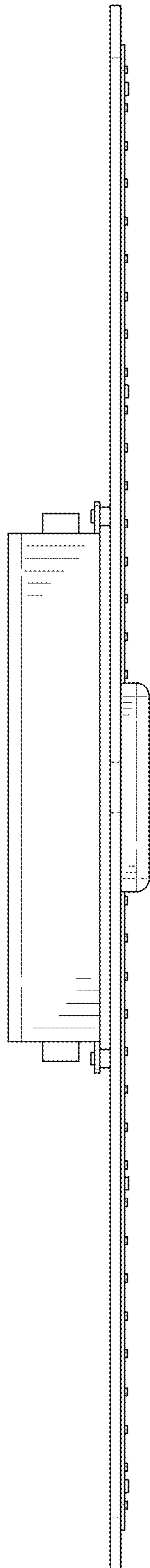


FIG. 8

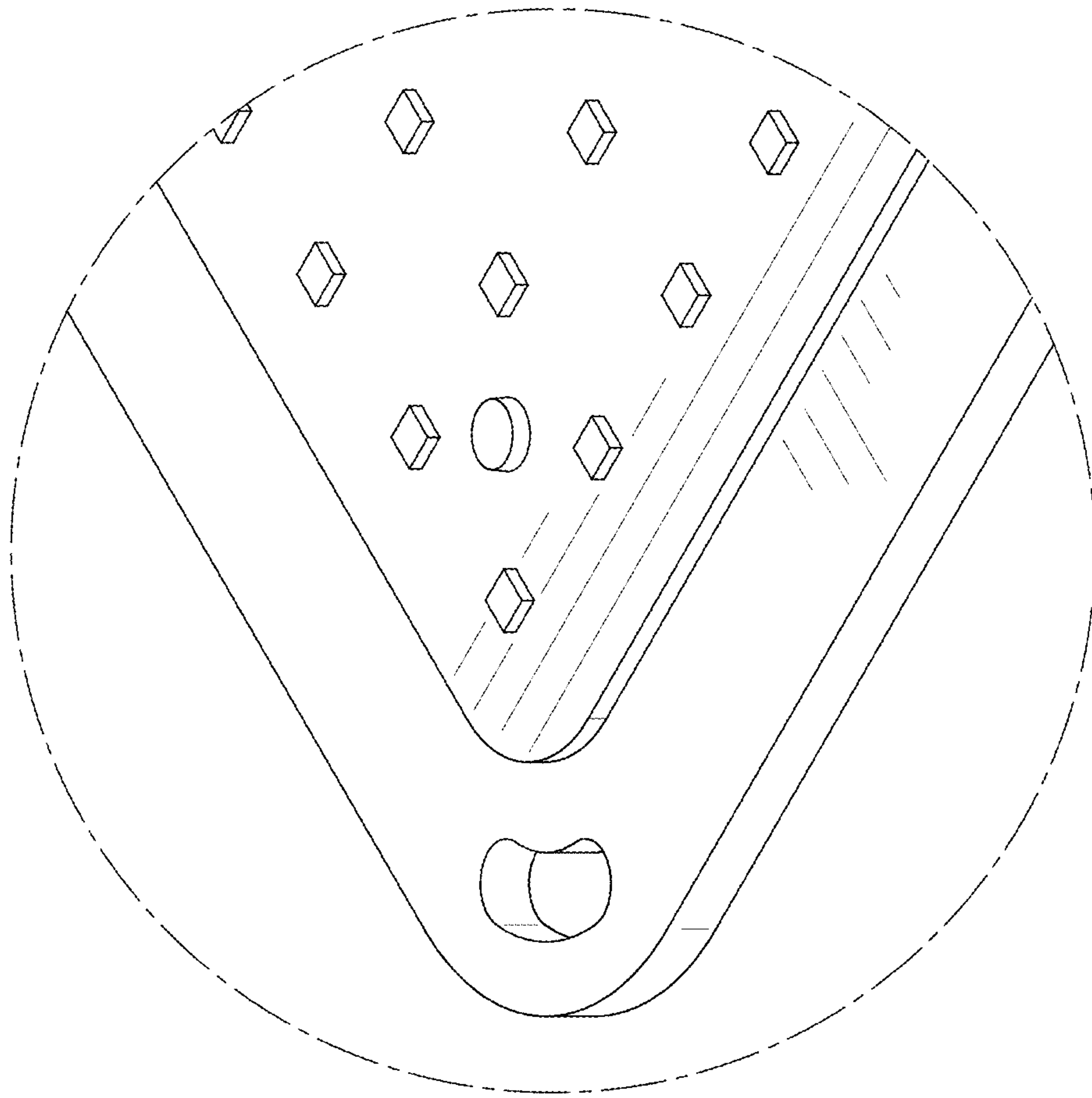


FIG. 9