



US00D893076S

(12) **United States Design Patent** (10) **Patent No.:** **US D893,076 S**  
**Liu** (45) **Date of Patent:** **\*\* Aug. 11, 2020**

(54) **LED PANEL GROW LIGHT**

(71) Applicant: **Ying Liu**, Shanghai (CN)

(72) Inventor: **Ying Liu**, Shanghai (CN)

(\*\*) Term: **15 Years**

(21) Appl. No.: **29/728,347**

(22) Filed: **Mar. 18, 2020**

(51) **LOC (12) Cl.** ..... **26-04**

(52) **U.S. Cl.**  
USPC ..... **D26/76**

(58) **Field of Classification Search**  
USPC ..... D26/72, 74, 76, 78-83, 85, 86, 88, 90,  
D26/93, 111, 113, 118, 119, 120, 121,  
D26/122, 138, 139, 140, 141, 142, 152  
CPC ..... F21S 2/00; F21S 4/00; F21S 4/003; F21S  
4/005; F21S 4/006; F21S 4/007; F21S  
4/008; F21S 6/00; F21S 8/00; F21S  
8/024; F21S 8/026; F21S 8/031; F21S  
8/033; F21S 8/035-037; F21S 8/04; F21S  
8/043; F21S 8/063

See application file for complete search history.

(56) **References Cited**

**U.S. PATENT DOCUMENTS**

|            |   |         |           |       |        |
|------------|---|---------|-----------|-------|--------|
| D192,607 S | * | 4/1962  | Cooke     | ..... | D26/76 |
| D292,322 S | * | 10/1987 | Krol      | ..... | D26/72 |
| D330,268 S | * | 10/1992 | Jaksich   | ..... | D26/74 |
| D464,457 S | * | 10/2002 | Echito    | ..... | D26/76 |
| D493,244 S | * | 7/2004  | Engel     | ..... | D26/76 |
| D511,852 S | * | 11/2005 | Benensohn | ..... | D26/76 |
| D608,931 S | * | 1/2010  | Castelli  | ..... | D26/76 |
| D626,268 S | * | 10/2010 | Santoro   | ..... | D26/76 |

|            |   |         |                 |       |        |
|------------|---|---------|-----------------|-------|--------|
| D645,193 S | * | 9/2011  | Chung           | ..... | D26/75 |
| D646,422 S | * | 10/2011 | Chung           | ..... | D26/75 |
| D650,509 S | * | 12/2011 | Wegger          | ..... | D26/90 |
| D678,586 S | * | 3/2013  | Mayfield, III   | ..... | D26/74 |
| D763,496 S | * | 8/2016  | Tran            | ..... | D26/88 |
| D776,665 S |   | 1/2017  | Karlsson et al. |       |        |
| D780,363 S | * | 2/2017  | Scribante       | ..... | D26/76 |
| D819,862 S | * | 6/2018  | Deng            | ..... | D26/76 |
| D853,616 S | * | 7/2019  | Salas           | ..... | D26/74 |
| D860,501 S | * | 9/2019  | Heiner          | ..... | D26/76 |
| D861,948 S | * | 10/2019 | Xu              | ..... | D26/76 |
| D864,455 S | * | 10/2019 | Sullivan        | ..... | D26/76 |
| D870,357 S |   | 12/2019 | Hu              |       |        |
| D870,358 S |   | 12/2019 | Hu              |       |        |
| D880,755 S | * | 4/2020  | Zhao            | ..... | D26/88 |

\* cited by examiner

*Primary Examiner* — Natasha Vujcic  
(74) *Attorney, Agent, or Firm* — HYIP

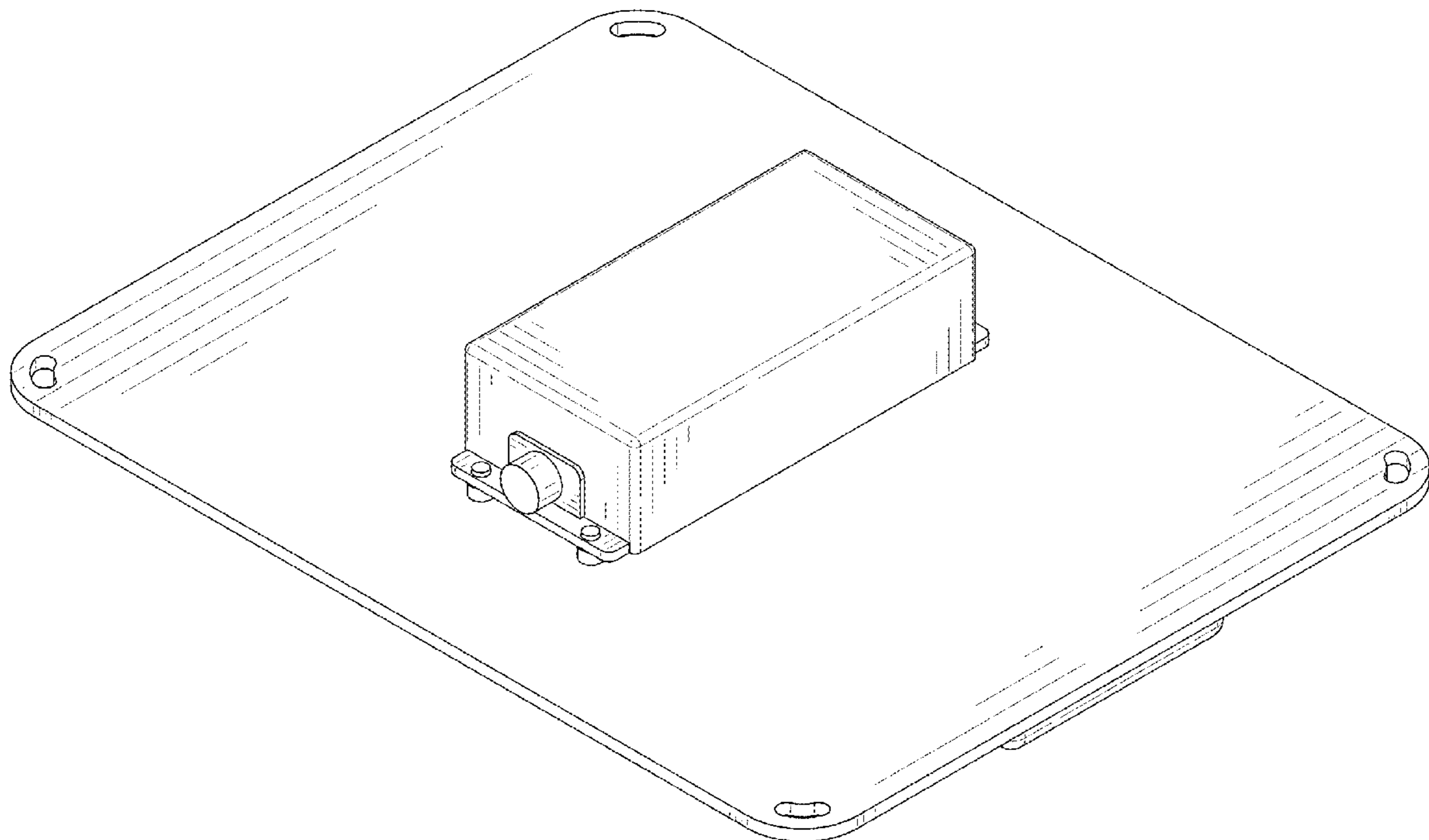
(57) **CLAIM**

The ornamental design for a LED panel grow light, as shown and described.

**DESCRIPTION**

FIG. 1 is a first perspective view of a LED panel grow light showing my new design;  
FIG. 2 is a second perspective view thereof;  
FIG. 3 is a front view thereof;  
FIG. 4 is a back view thereof;  
FIG. 5 is a left side view thereof;  
FIG. 6 is a right side view thereof;  
FIG. 7 is a top view thereof;  
FIG. 8 is a bottom view thereof; and,  
FIG. 9 is an enlarged view of the selected portion in FIG. 2.

**1 Claim, 9 Drawing Sheets**



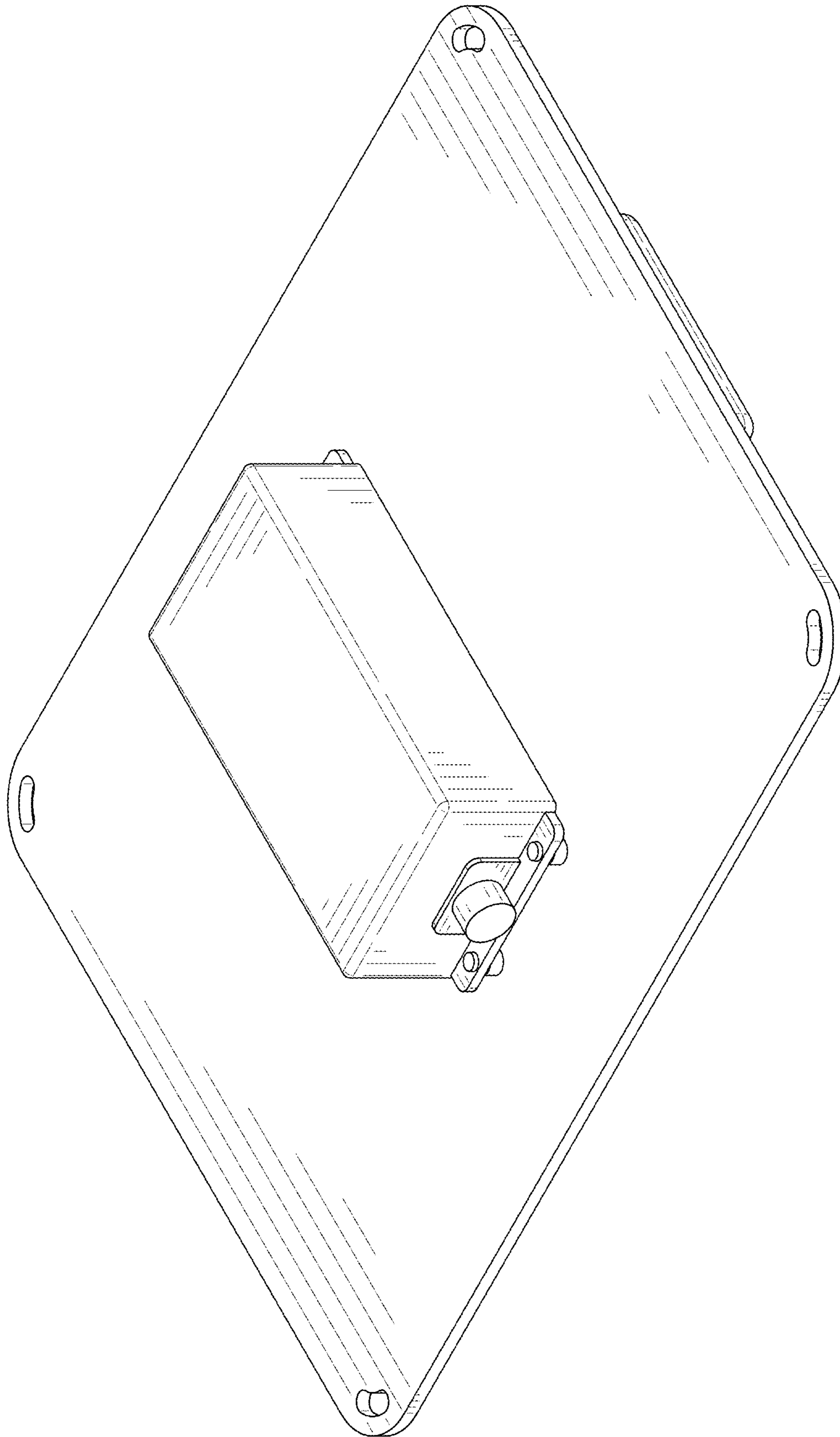


FIG. 1

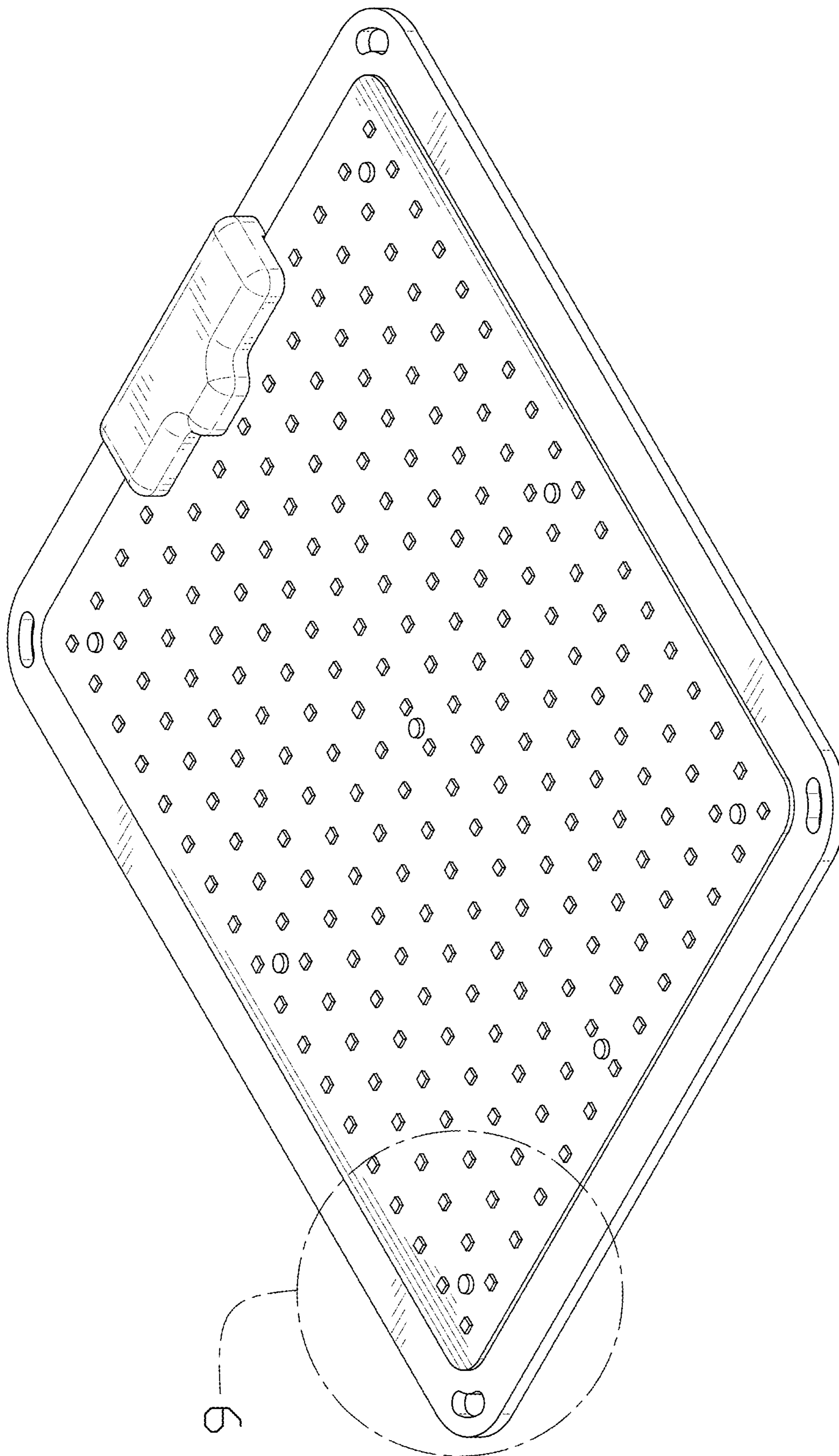


FIG. 2

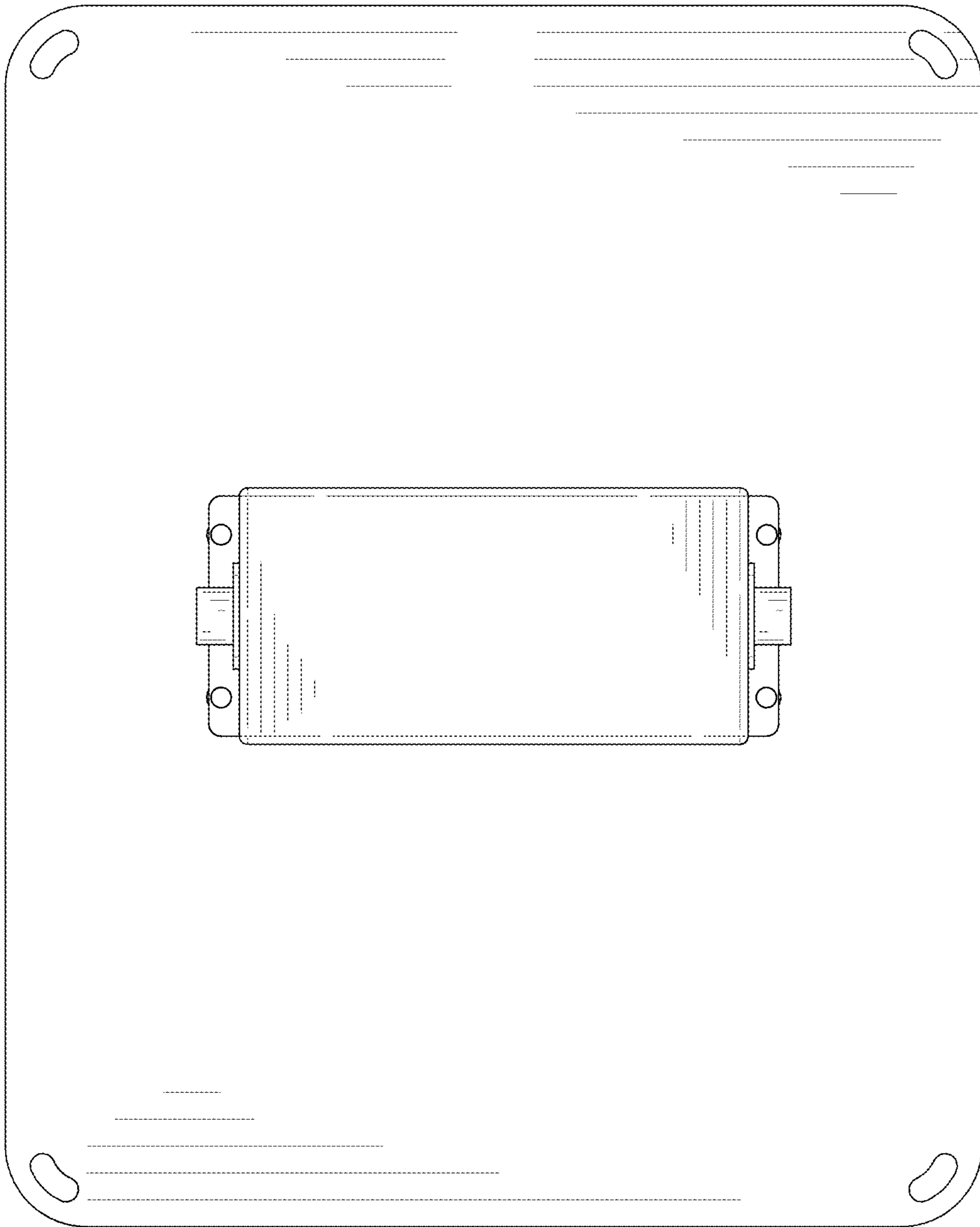


FIG. 3



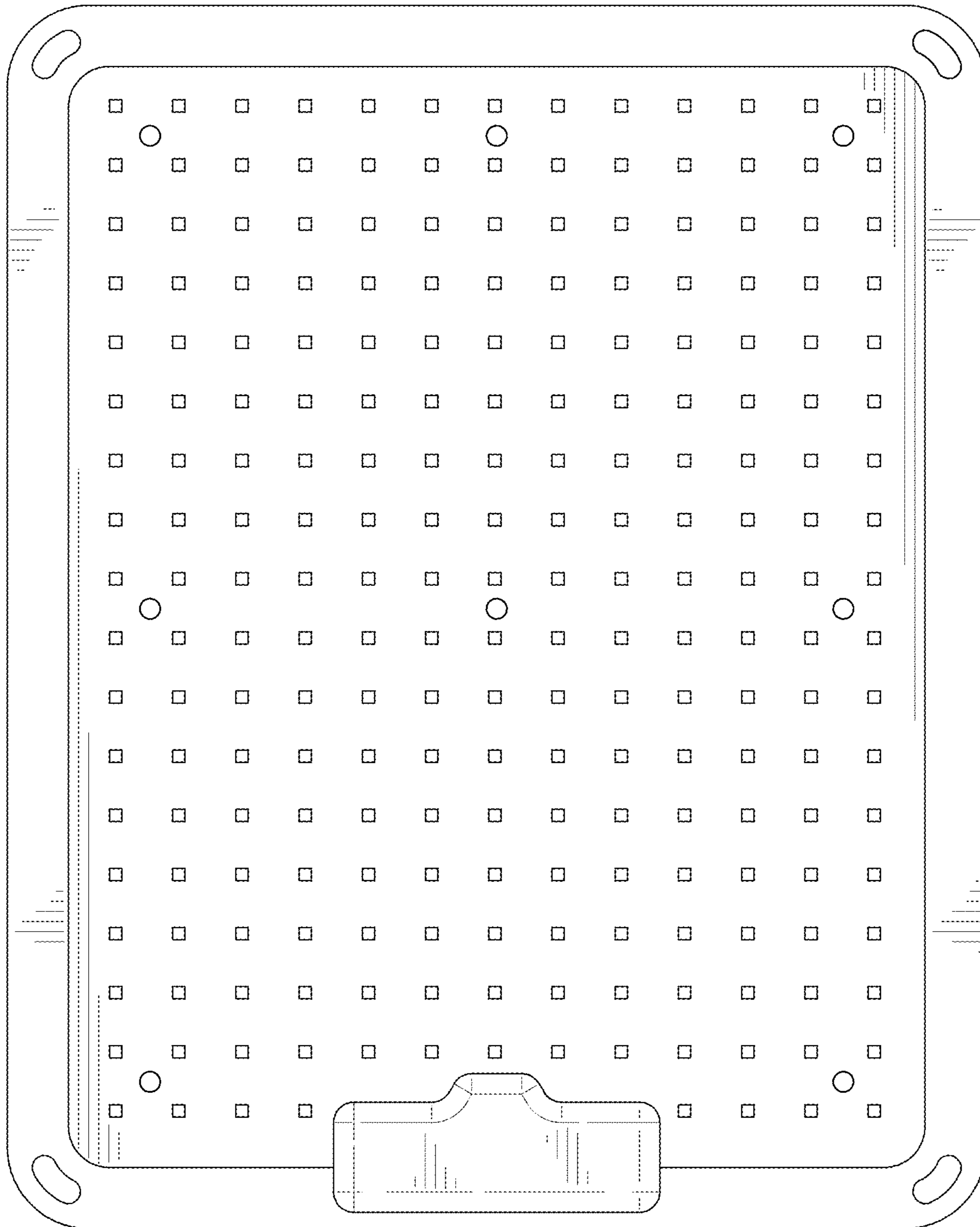


FIG. 4

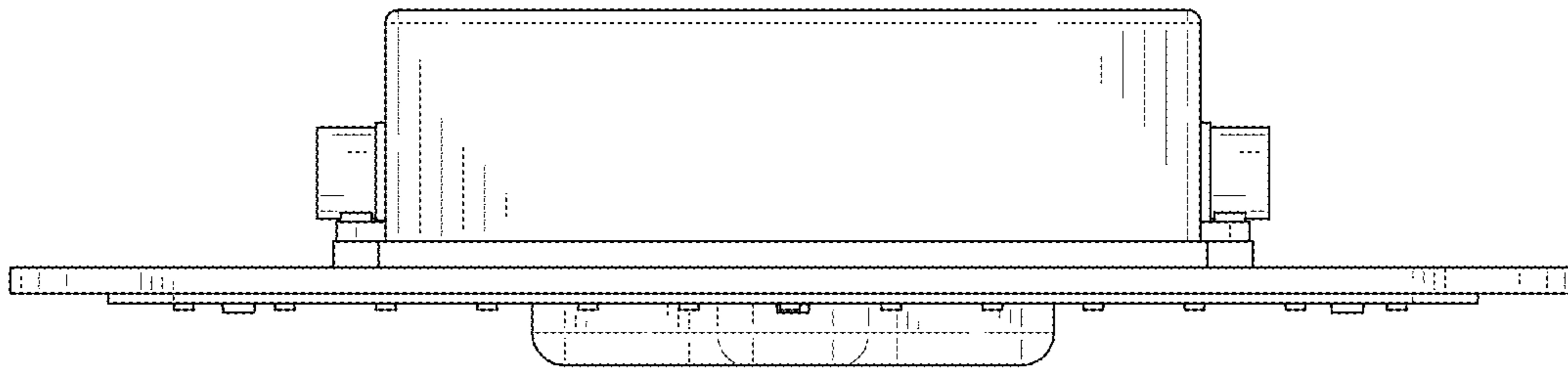


FIG. 5

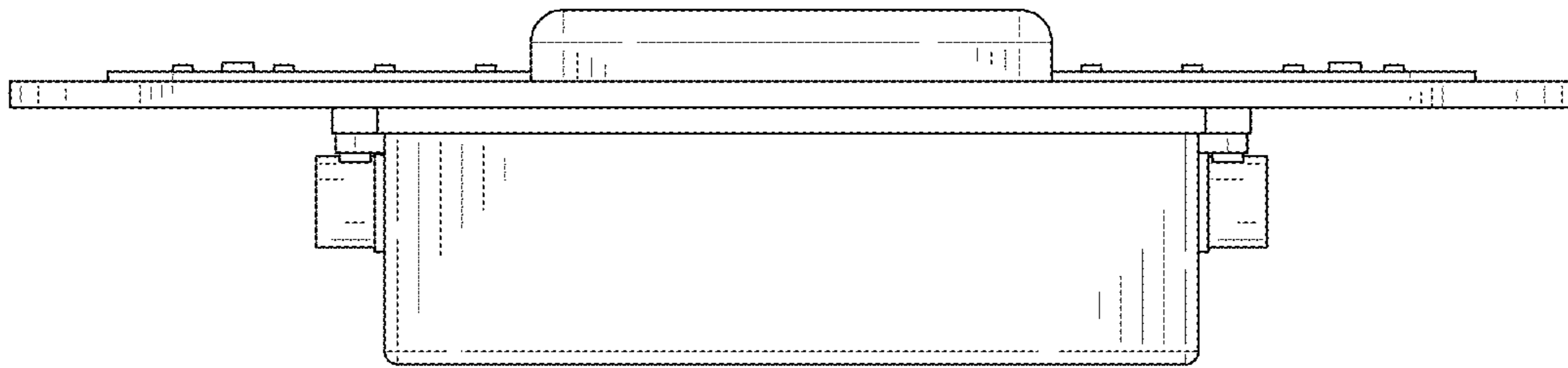


FIG. 6

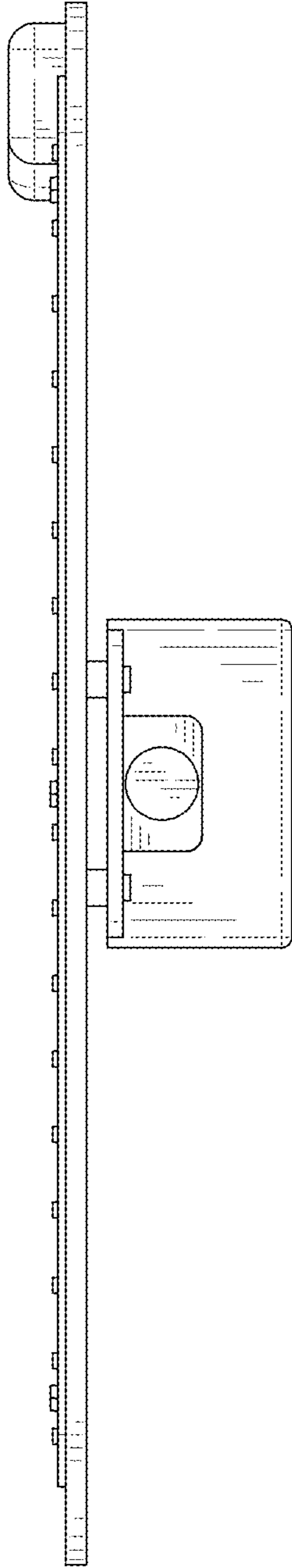


FIG. 7



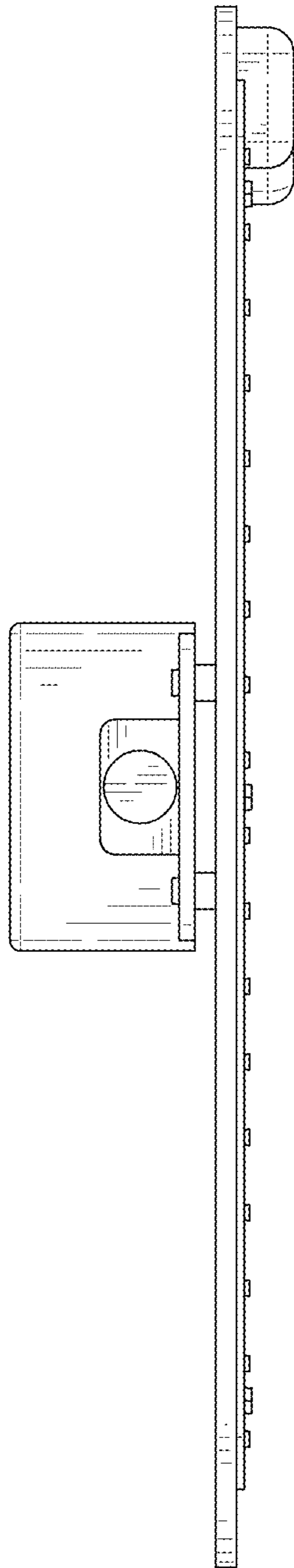


FIG. 8

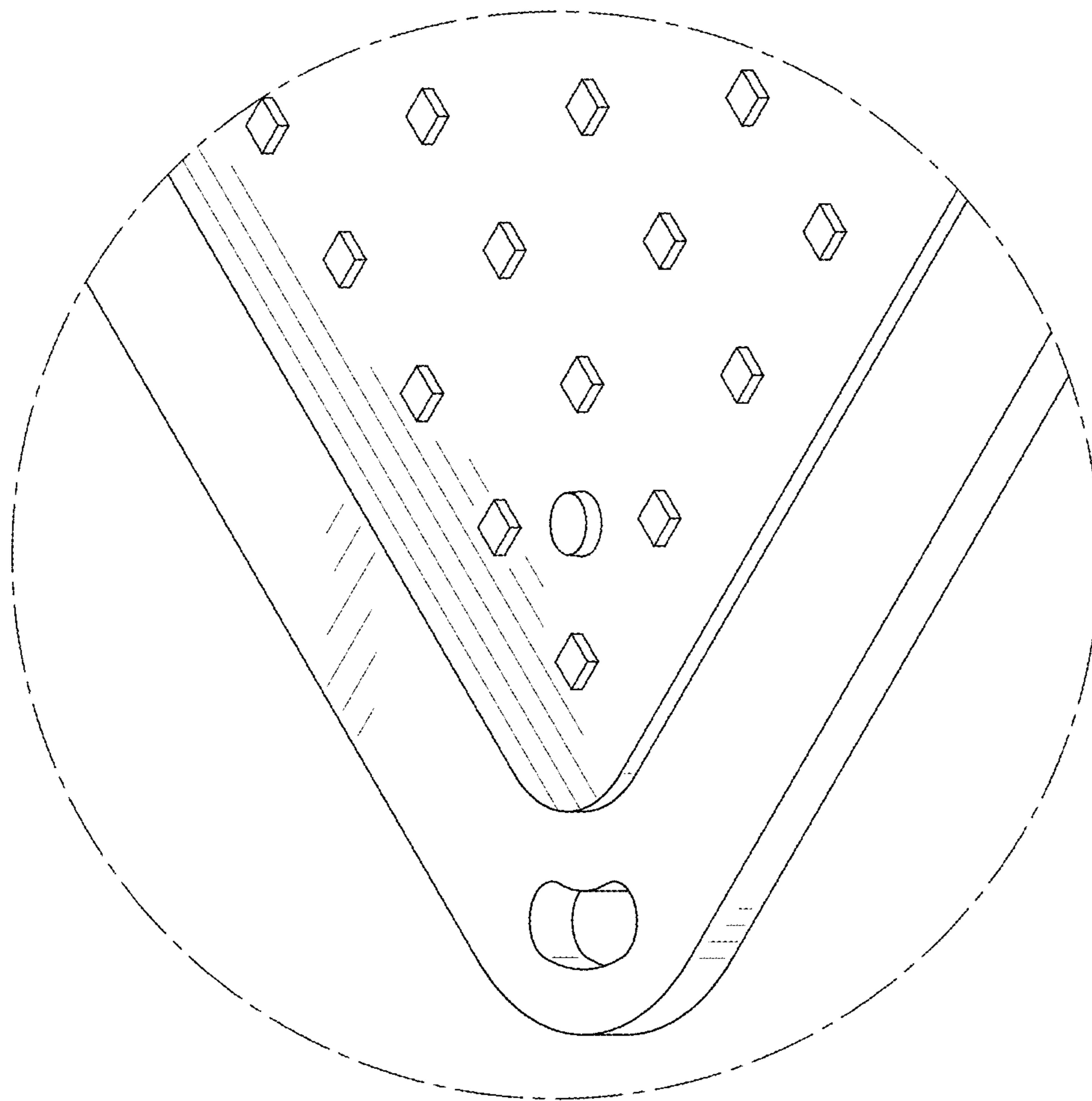


FIG. 9